

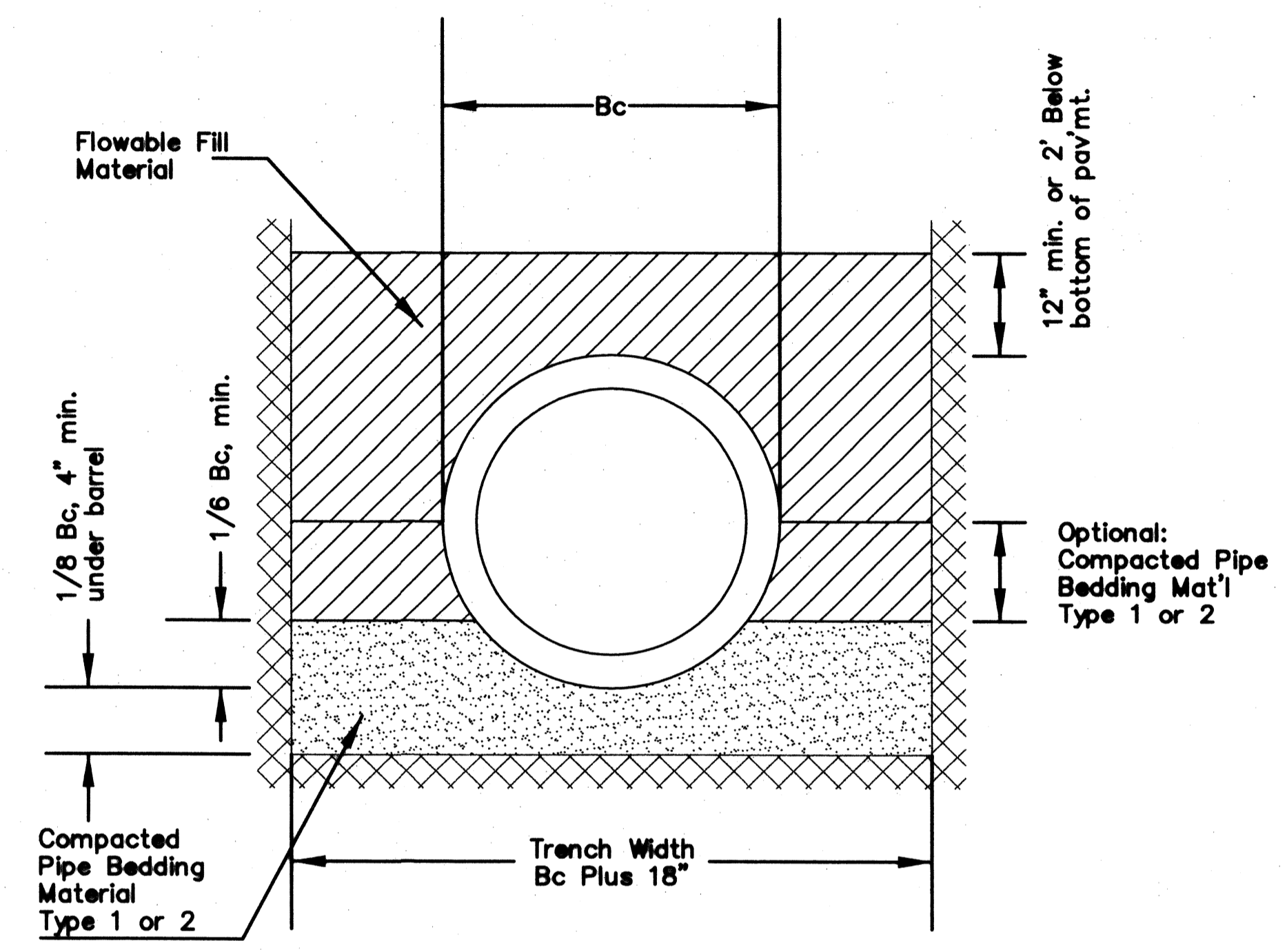
NOTE:  
1. FURNISHED WITH MACHINED HORIZONTAL BEARING SURFACE.

MATERIAL:	CAST GRAY IRON	ASTM
	CLASS 35B	A48-94a
FINISH:	NO PAINT	
WEIGHT:	FRAME 180 LBS.	
	COVER 185 LBS.	

**Deeter Foundry, Inc.**  
5845 NORTH 70th STREET  
LINCOLN, NEBRASKA 68529

#1261 MANHOLE RING & COVER

Date:	15 MAY 97	Drawn by:	KRH	Scale:	1/8
DRAWING NO.:	01-M1261-MST	Checked by:	KRH	Date:	16 JULY 02



**Detail Of Flowable Fill For Storm Sewer Pipe Except Corrugated Metal Pipe.**

Rev. 5-19-2000

**PUBLIC STORM SEWER MANHOLE COVER, TRENCHING & BEDDING DETAILS**

**WAL-MART SUPERCENTER #4321-00**

**N.W. 53rd ST. NORTH & N. MERIDIAN WICHITA, KANSAS**

**SMC Consulting Engineers, P.C.**  
815 West Main - Oklahoma City, OK 73106  
PH: 405-232-7715 Fax: 405-232-7859

KANSAS CERTIFICATE OF AUTHORIZATION NO. E-335 EXP. DEC. 31, 2008

No.	Revision	By	Date
1	Per City comments	MDS	01/21/07

DATE:	12/12/06	SCALE:	N.T.S.	SHEET NO.	C-11.9
DRAWN BY:	MDS				
PROJECT NO.:	4344.00				

ENGINEER: TERENCE L. HAYNES, P.E. #14583