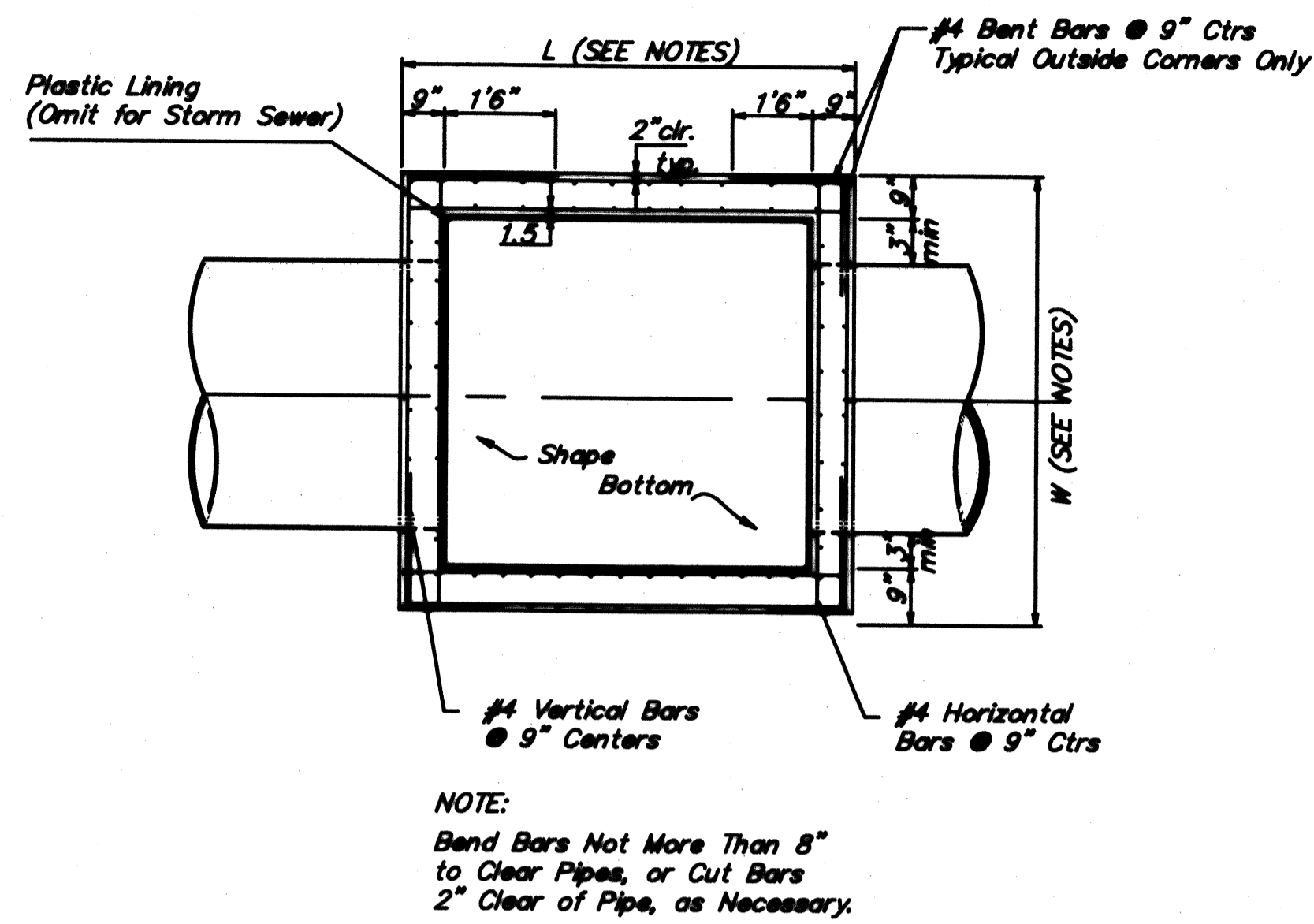


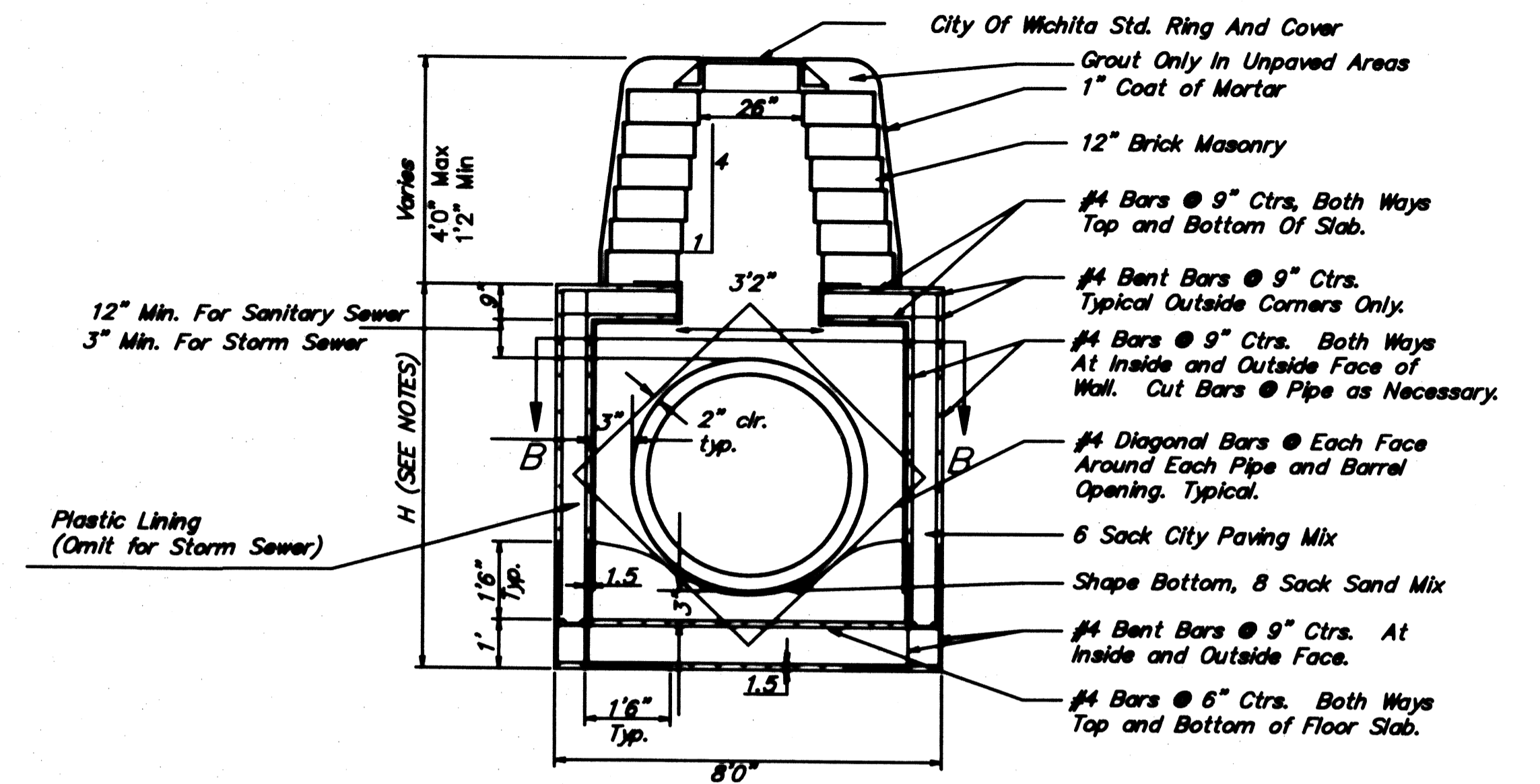
R.C.P. CONNECTION DETAIL
SANITARY SEWER ONLY



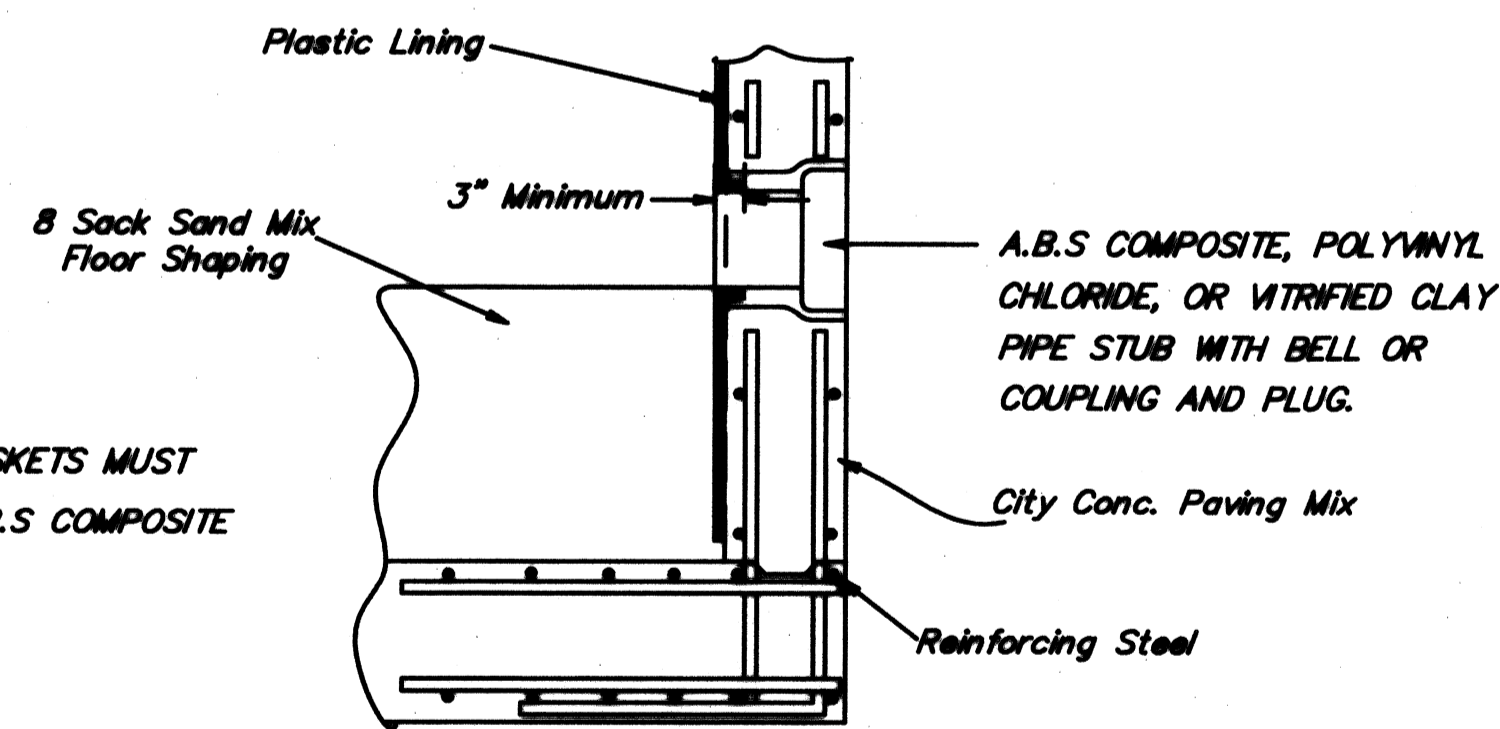
TOP VIEW

GENERAL NOTES:

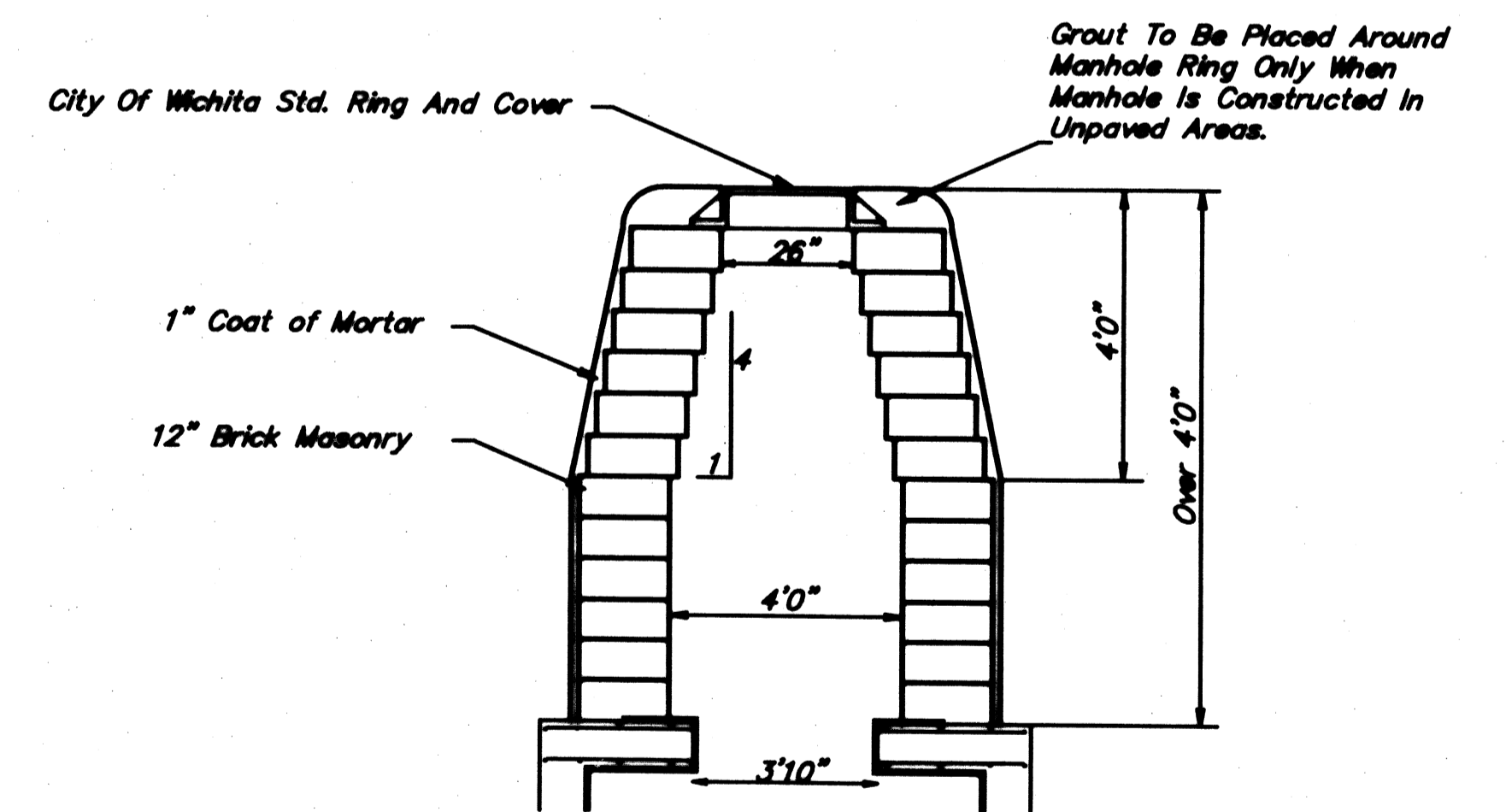
1. MORTAR USED IN MASONRY CONSTRUCTION SHALL CONTAIN 8 SACKS OF CEMENT PER CUBIC YARD. CONCRETE USED IN MANHOLE WALLS AND BASES SHALL CONFORM TO THE REQUIREMENTS FOR CONCRETE PAVEMENT CONSTRUCTION AS SPECIFIED IN THE CITY STANDARD PAVING SPECIFICATIONS, USING CITY CONCRETE PAVEMENT MIX WITHOUT AIR ENTRAINING ADMIXTURE. MORTAR SHALL BE PLACED AROUND THE MANHOLE RING AS SHOWN ON THE DRAWINGS WHEN MANHOLES ARE CONSTRUCTED IN UNPAVED AREAS. COMPLETED MANHOLE SHALL BE WITHOUT LEAKS AND WATER TIGHT.
2. THE FLOORS OF ALL MANHOLES SHALL BE SHAPED WITH FLOW CHANNELS SUCH THAT THE MANHOLES WILL BE SELF CLEANING. USING 8-SACK SAND MIX CONCRETE. FLOW CHANNELS SHALL BE FORMED TO MATCH THE BOTTOM HALVES OF THE INFLOWING PIPES AND THE OUTFLOWING PIPE. MANHOLE FLOORS SHALL HAVE SLOPES OF 3 INCHES PER FOOT IN THE AREAS OUTSIDE OF THE FLOW CHANNELS SLOPED TOWARD THE FLOW CHANNELS.
3. MANHOLE COVER CASTINGS AND MANHOLE FRAME CASTINGS SHALL CONFORM TO THE REQUIREMENTS AS INDICATED IN THE STANDARD SPECIFICATIONS AND AS SHOWN IN THE STANDARD DETAIL DRAWING.
4. THE ENDS OF ALL PIPES IN MANHOLES SHALL BE CUT OFF FLUSH WITH THE INSIDE FACE OF MANHOLE WALL.
5. "L" & "W" SHALL BE AS SPECIFIED IN THE PLANS.



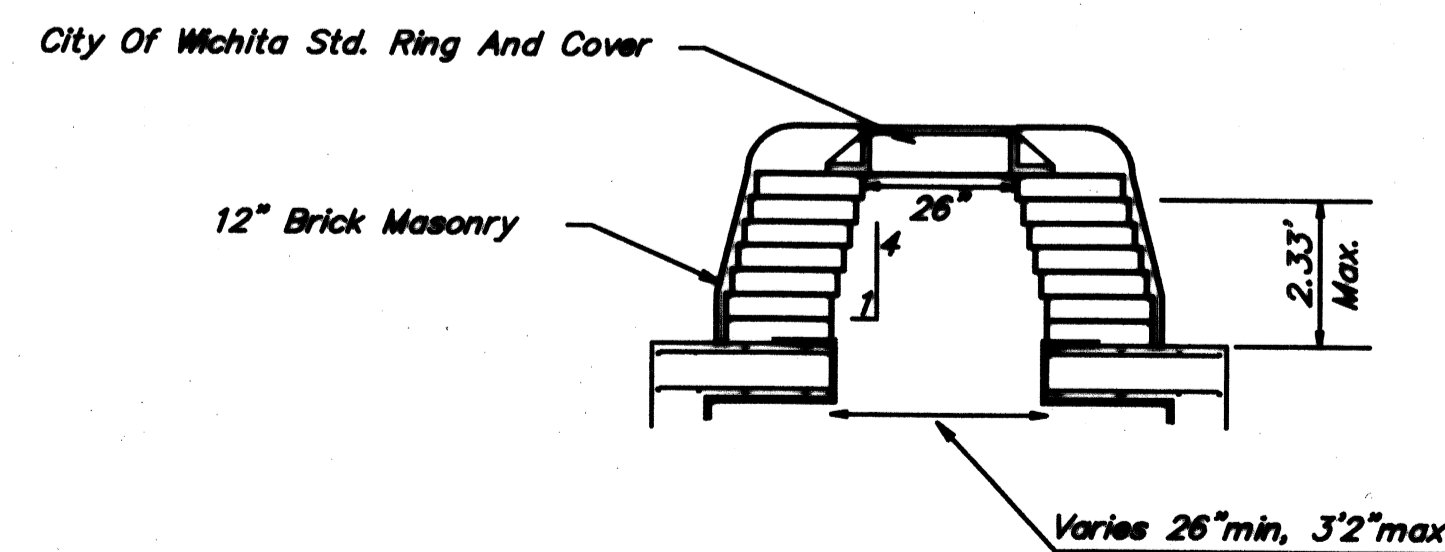
REINFORCED CONCRETE MANHOLE
MANHOLE STACK 2.33' TO 4'0"



PIPE STUB DETAIL
SANITARY SEWER ONLY



REINFORCED CONCRETE MANHOLE
MANHOLE STACK OVER 4'0"



REINFORCED CONCRETE MANHOLE
MANHOLE STACK LESS THAN 2.33'

<p>THE CITY OF WICHITA CITY ENGINEER'S OFFICE CITY HALL - SEVENTH FLOOR ONE NORTH MAIN STREET WICHITA, KANSAS 67202 (316) 266-4174 FAX</p>	<p>REINFORCED CONCRETE MANHOLE</p>	
	<p>M. E. LINDEBAK P.E. - CITY ENGINEER</p>	
	<p>PROJECT NUMBER XXX-XXXXX</p>	<p>INDEX CODE XXXXXX</p>
	<p>DATE APRIL 99</p>	<p>SHEET C-8.17</p>

REV. 1/05/01, MCG