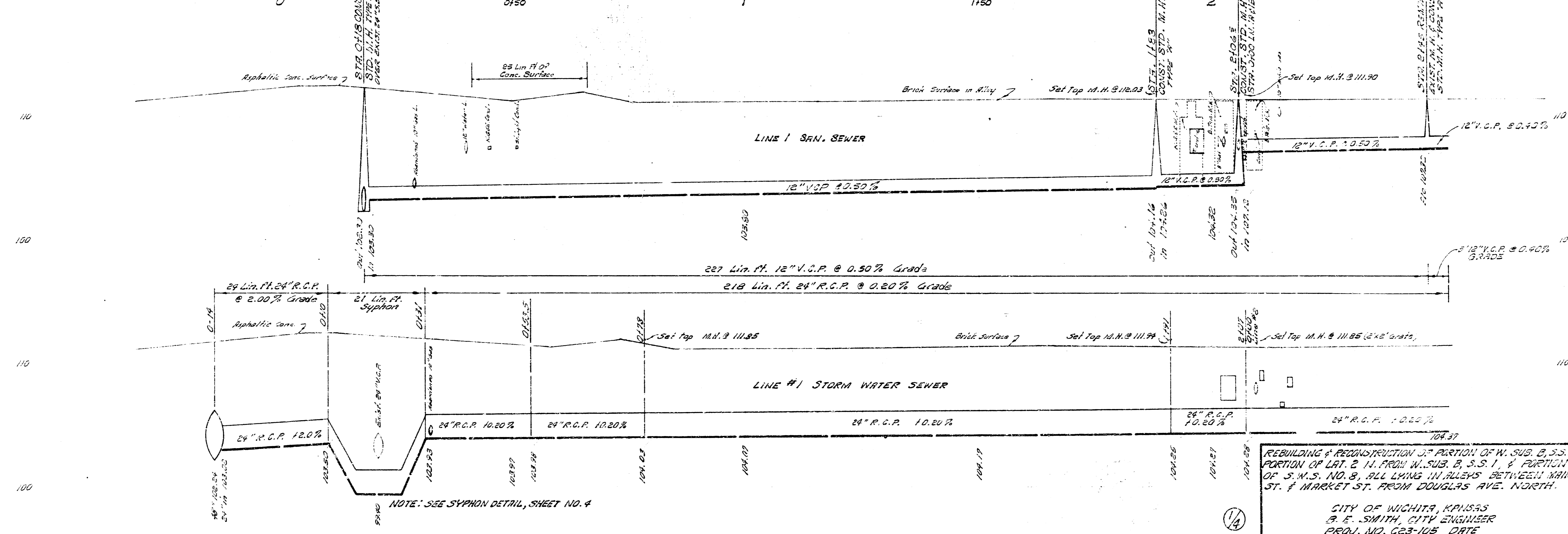


- NOTE: TO CONTRACTOR**
- #1- Replace pavt. between sta. 0118 to sta. 0155 (San. Sewer)
 - #2- Replace pavt. between sta. 0119 to sta. 0118 (S.W.S.)
 - #3- Before replacing R.C. driving surface, trim exist. mat with power saw to 1' beyond base, repair (as part of pavt. rep.)
 - #4- Pavement in Alleys need not be replaced
 - #5- All basalt fill to be extra filled, tamped & vibrated
 - #6- Pipe plugs to be incidental to bid price of lin. ft. pipe
 - #7- Removal of C.M.'s to be incidental to bid price of lin. ft. pipe
 - #8- Use exist. 24" Grates & Frames for lifts on M.H.'s as indicated on plan
 - #9- Service connections to be incidental to bid price of lin. ft. pipe.
- LINE NO. 1, S.W.S. 130'

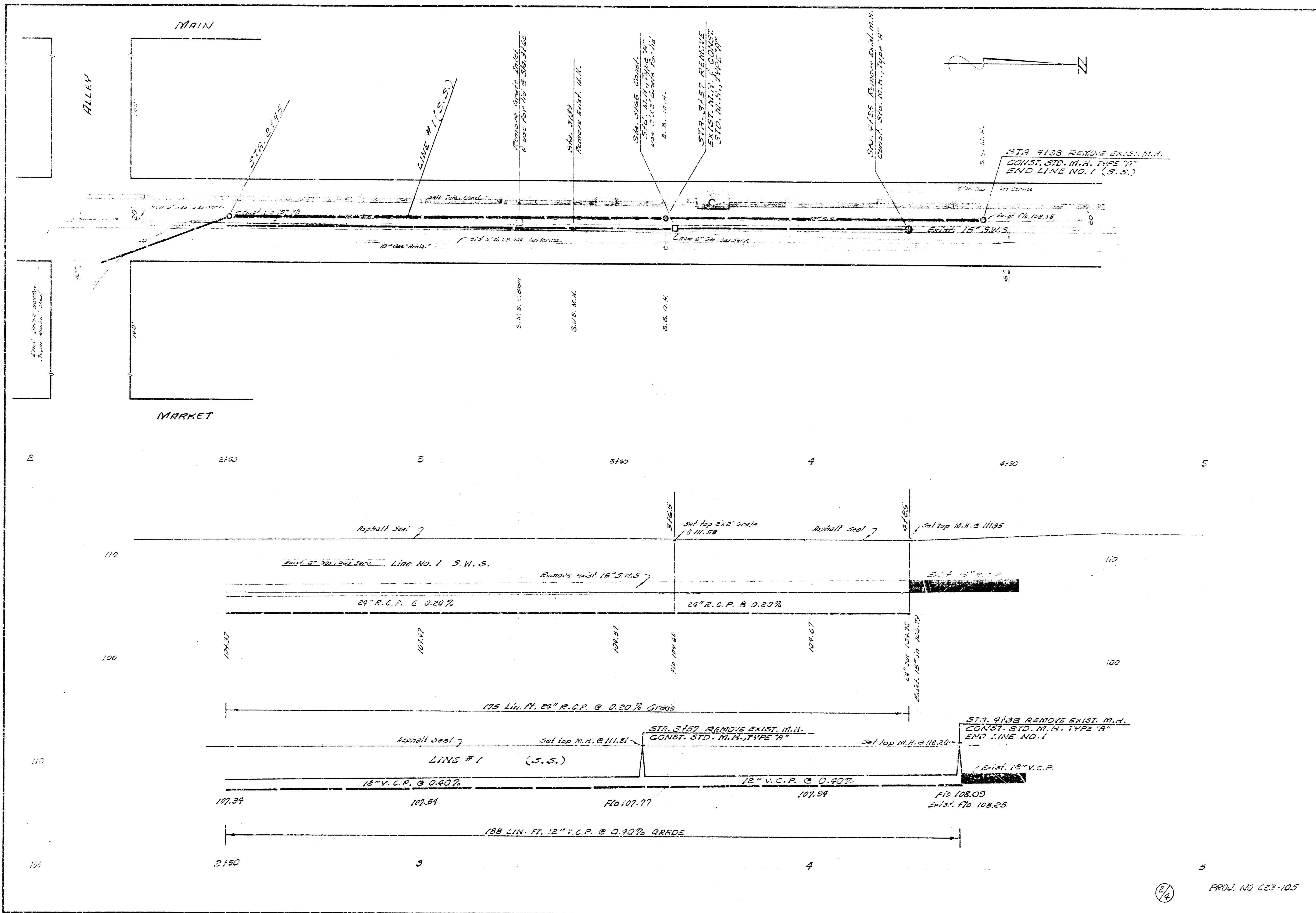
B.M. III.93 E. RIM M.H. 20' W. OF E. L. MAIN & ALLEY E.

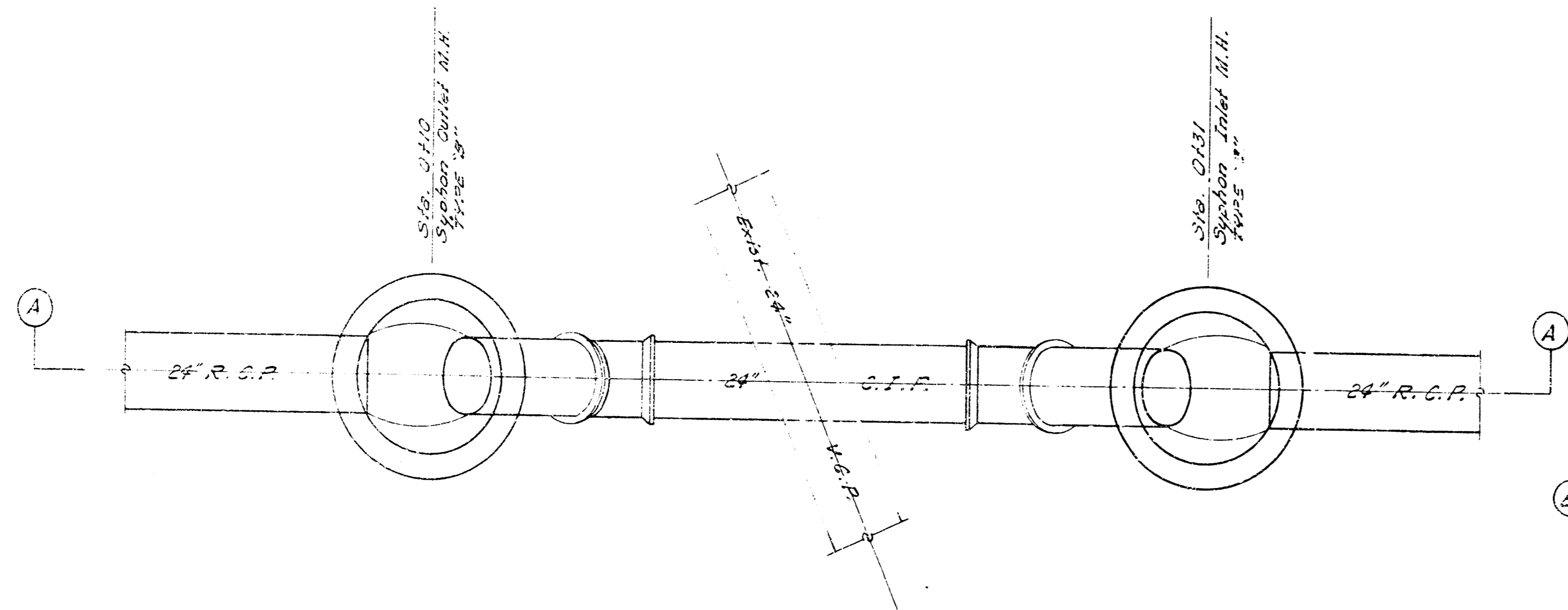
PLAN SCALE 1"=10'
 PROFILE SCALE 1"=10' HOR.
 1"=4' VERT.



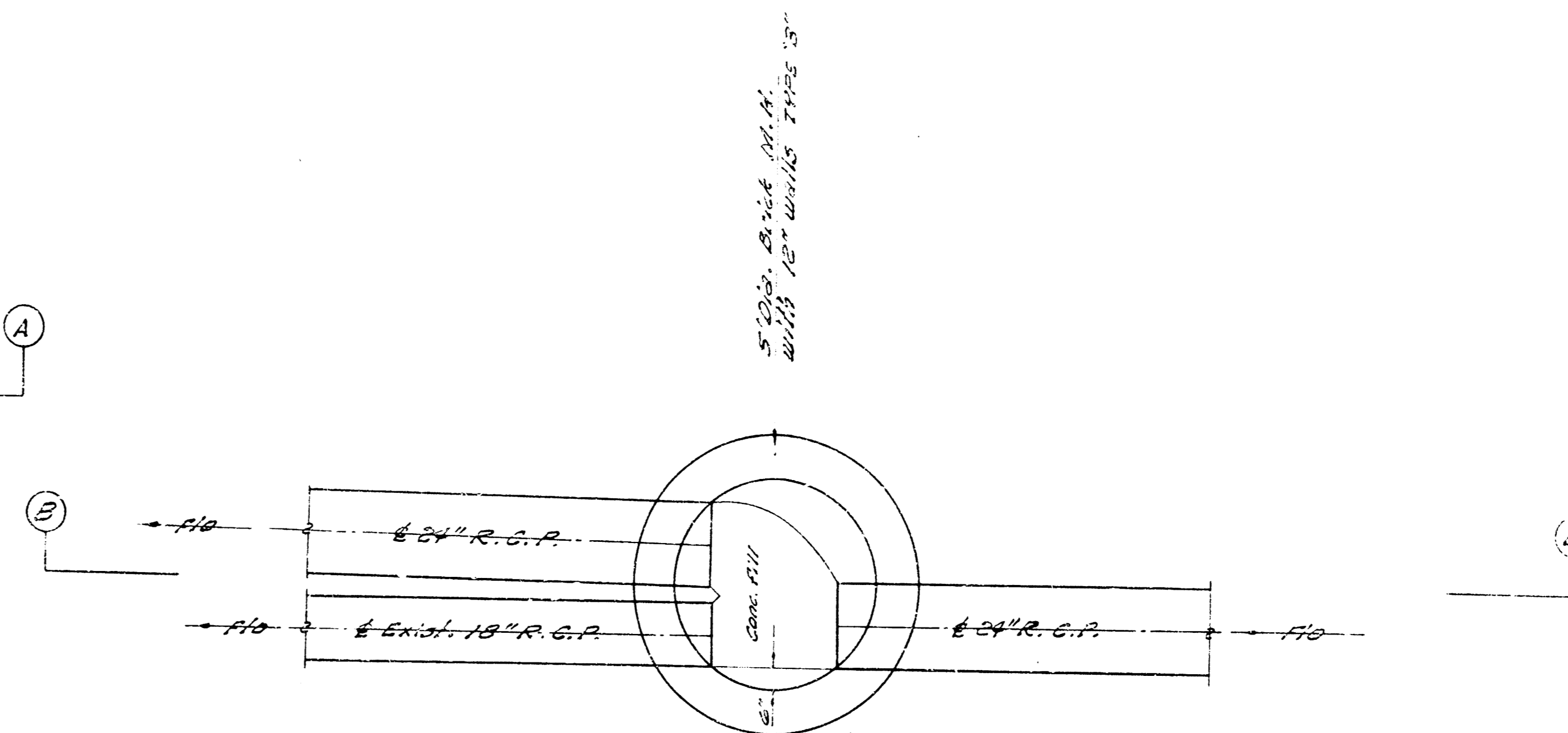
REBUILDING & RECONSTRUCTION OF PORTION OF W. SUB. B, S.S. 1, PORTION OF LAT. 2 N. FROM W. SUB. B, S.S. 1, & PORTION OF S.W.S. NO. 8, ALL LYING IN ALLEYS BETWEEN MAIN ST. & MARKET ST. FROM DOUGLAS AVE. NORTH.

CITY OF WICHITA, KANSAS
 B. F. SMITH, CITY ENGINEER
 PROJ. NO. C23-105 DATE

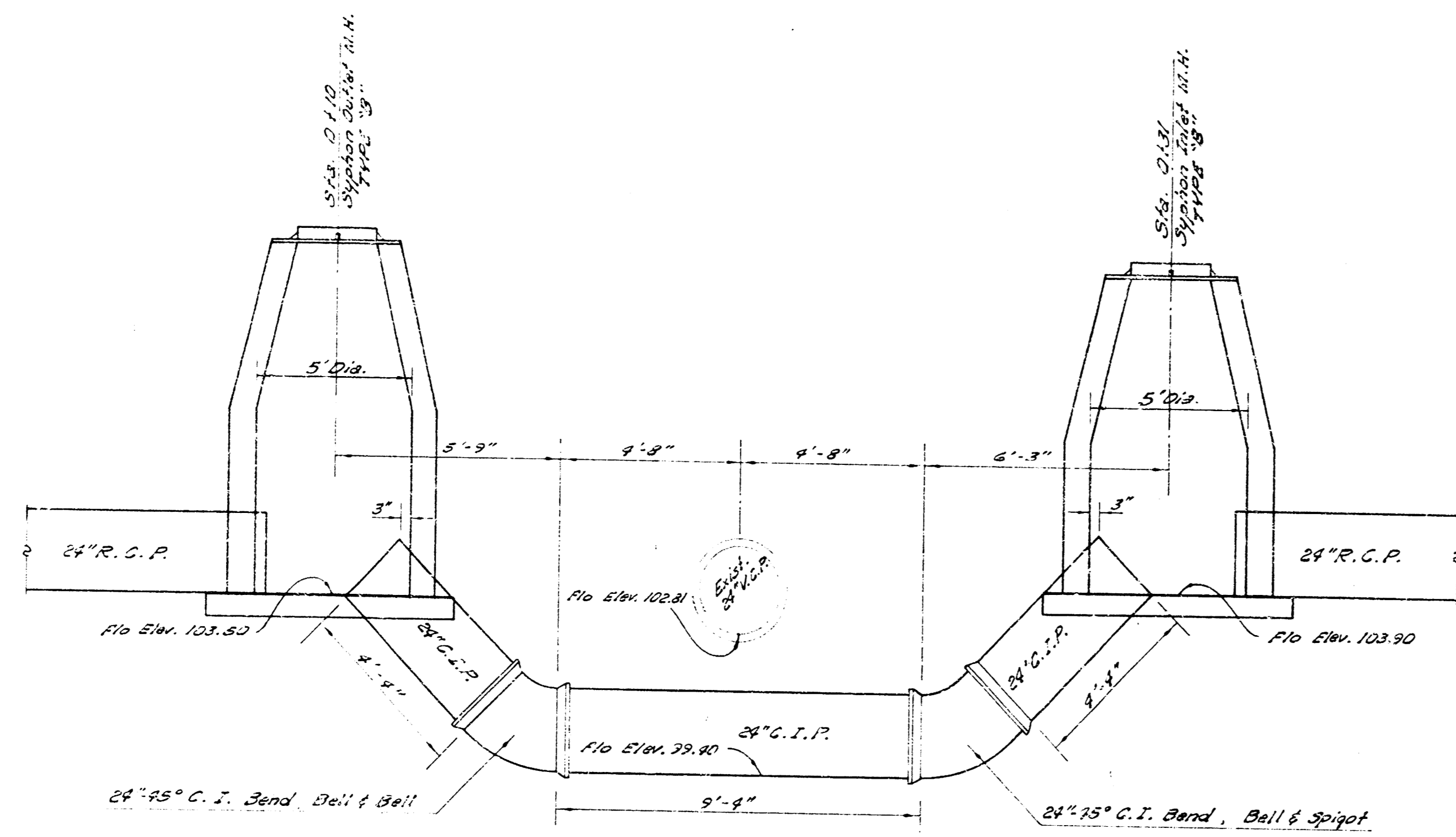




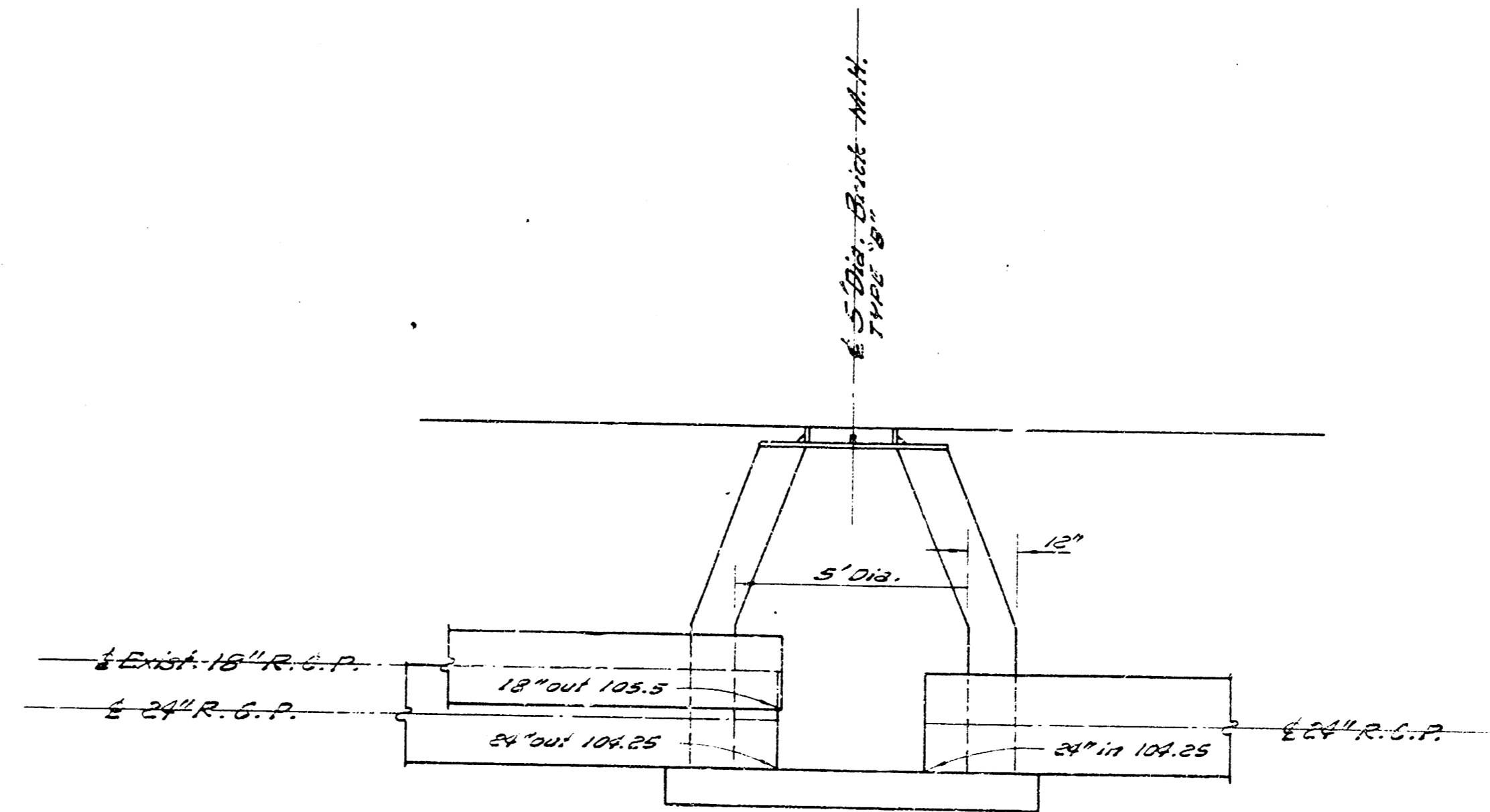
PLAN
 SIPHON FOR S.W.S. @ STATION 01.0 TO 01.31, LINE NO. 1
 Scale 3/8" = 1'-0"



PLAN
 STA. 1191 LINE NO. 1 STORM WATER SEWER
 Scale 3/8" = 1'-0"



SECTION 'A'
 Scale 3/8" = 1'-0"



SECTION 'B'
 STA. 1191 LINE NO. 1 STORM WATER SEWER
 Scale 3/8" = 1'-0"