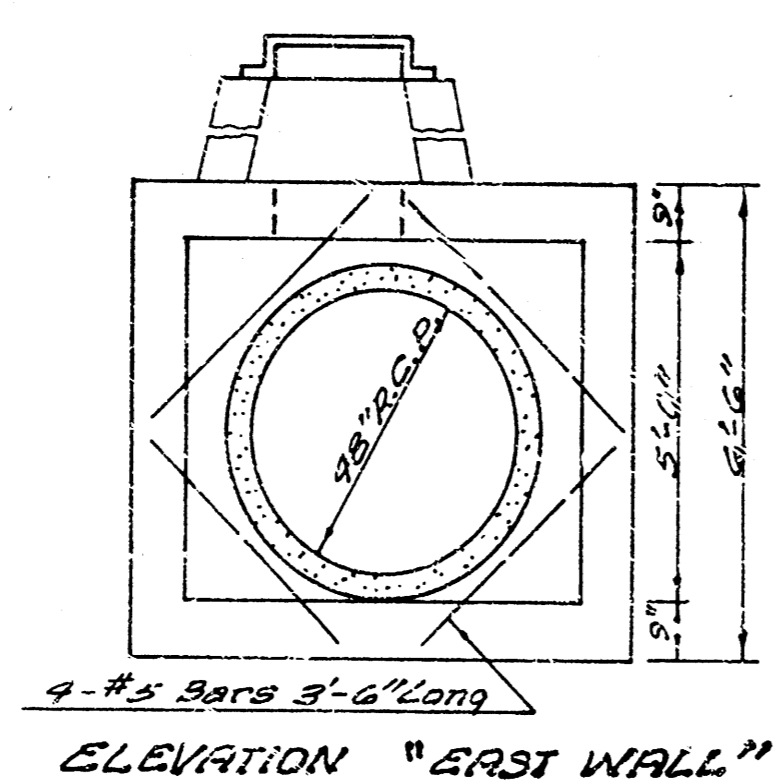
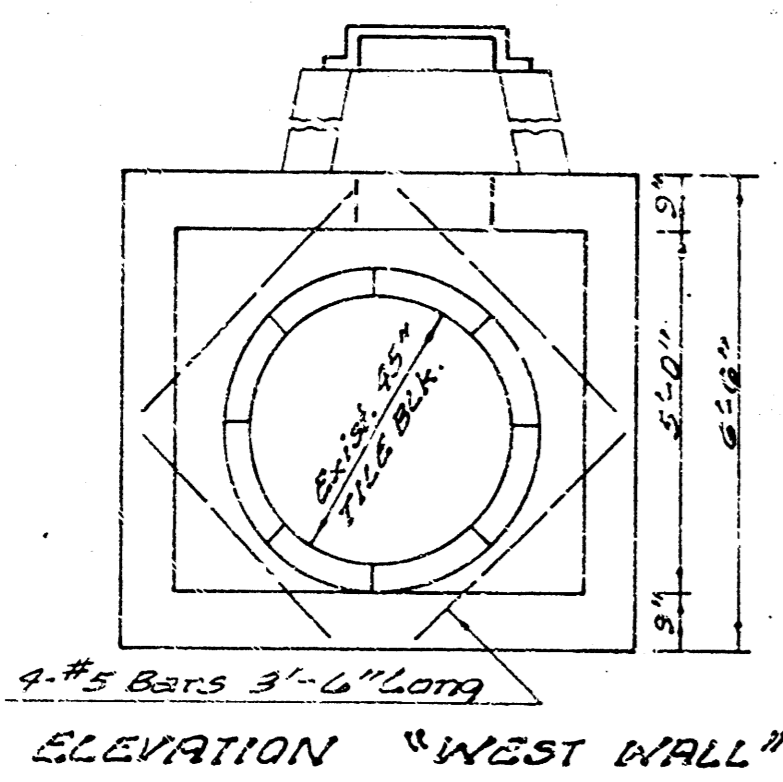
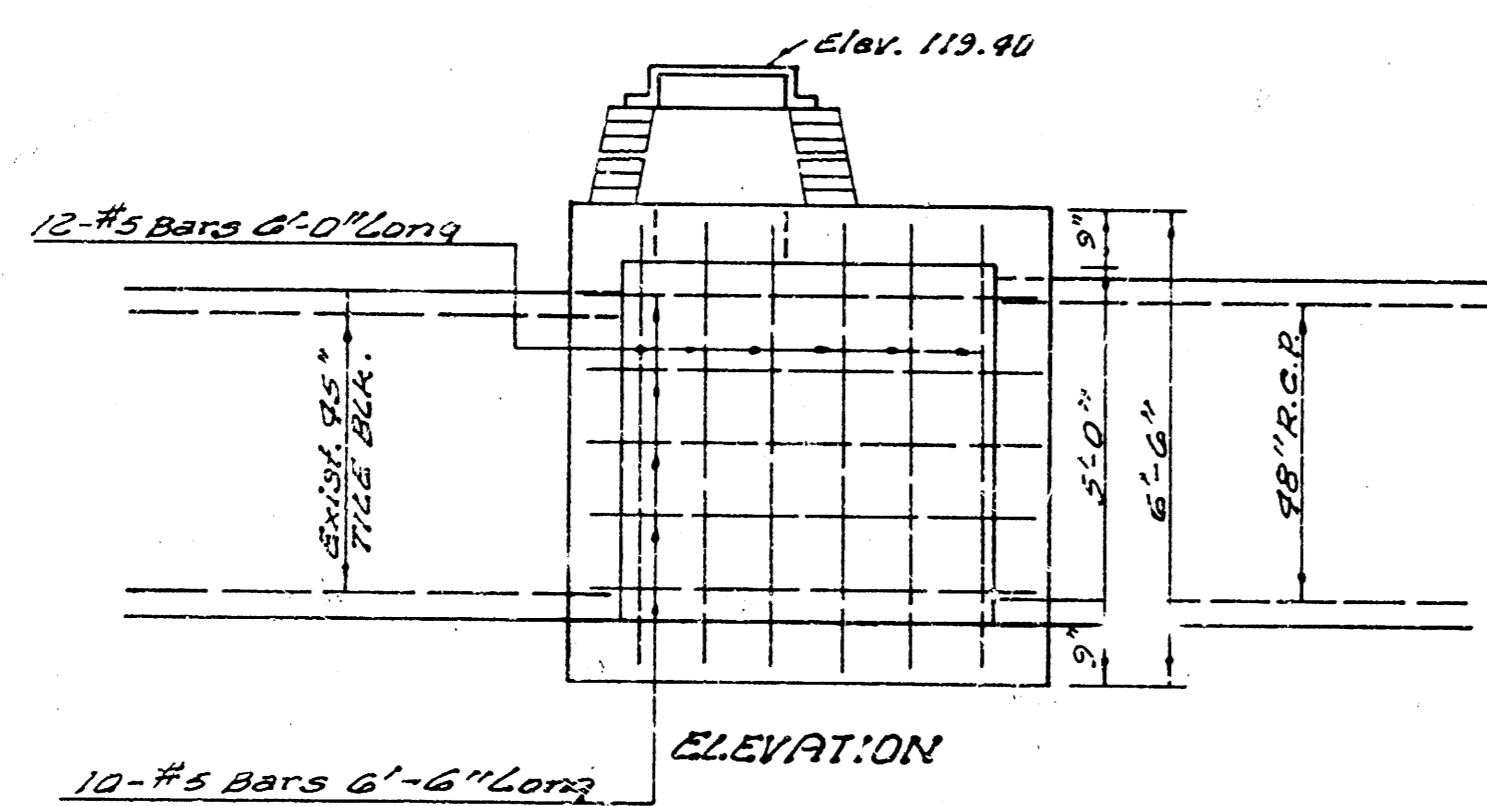
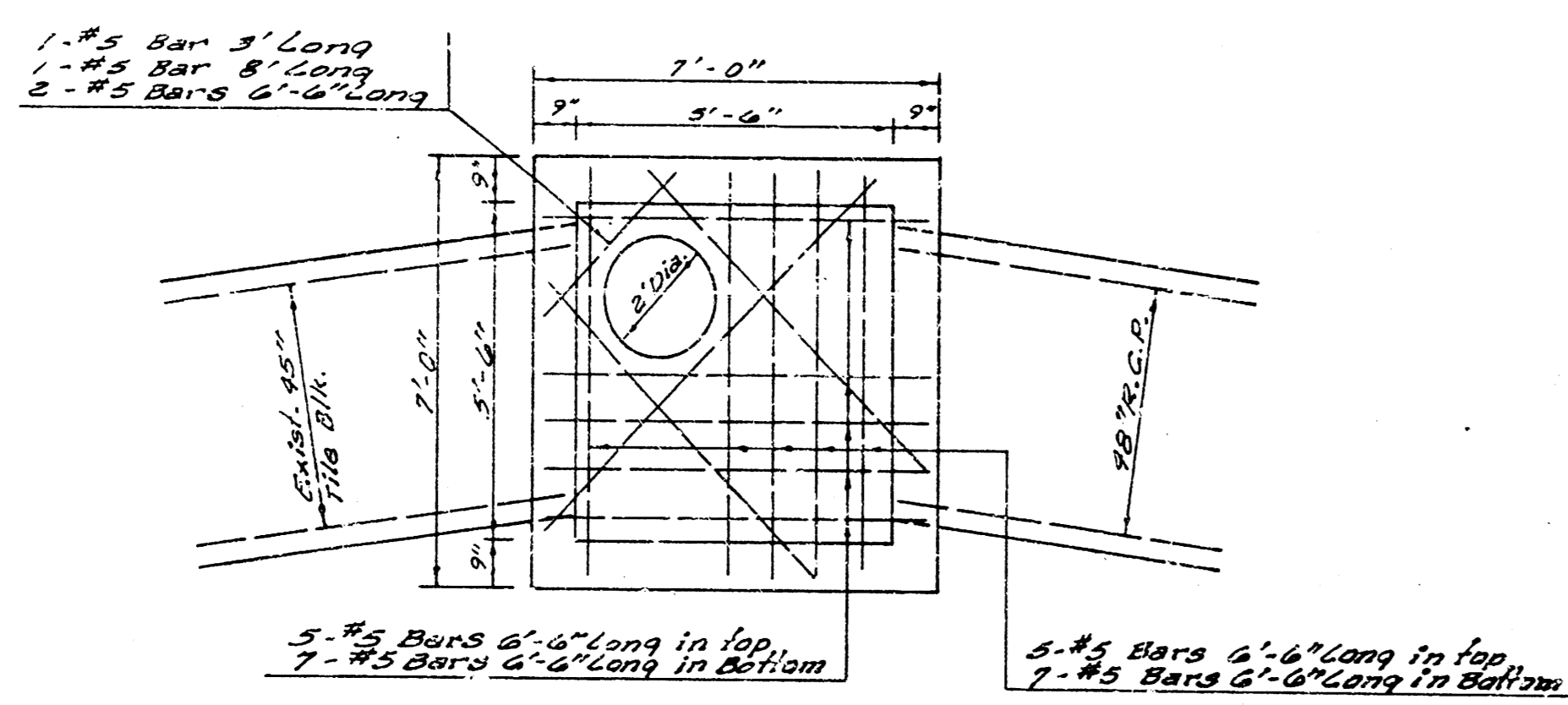


REINF. CONC. MANHOLE STA. 0700

Scale 3/8" = 1'-0"

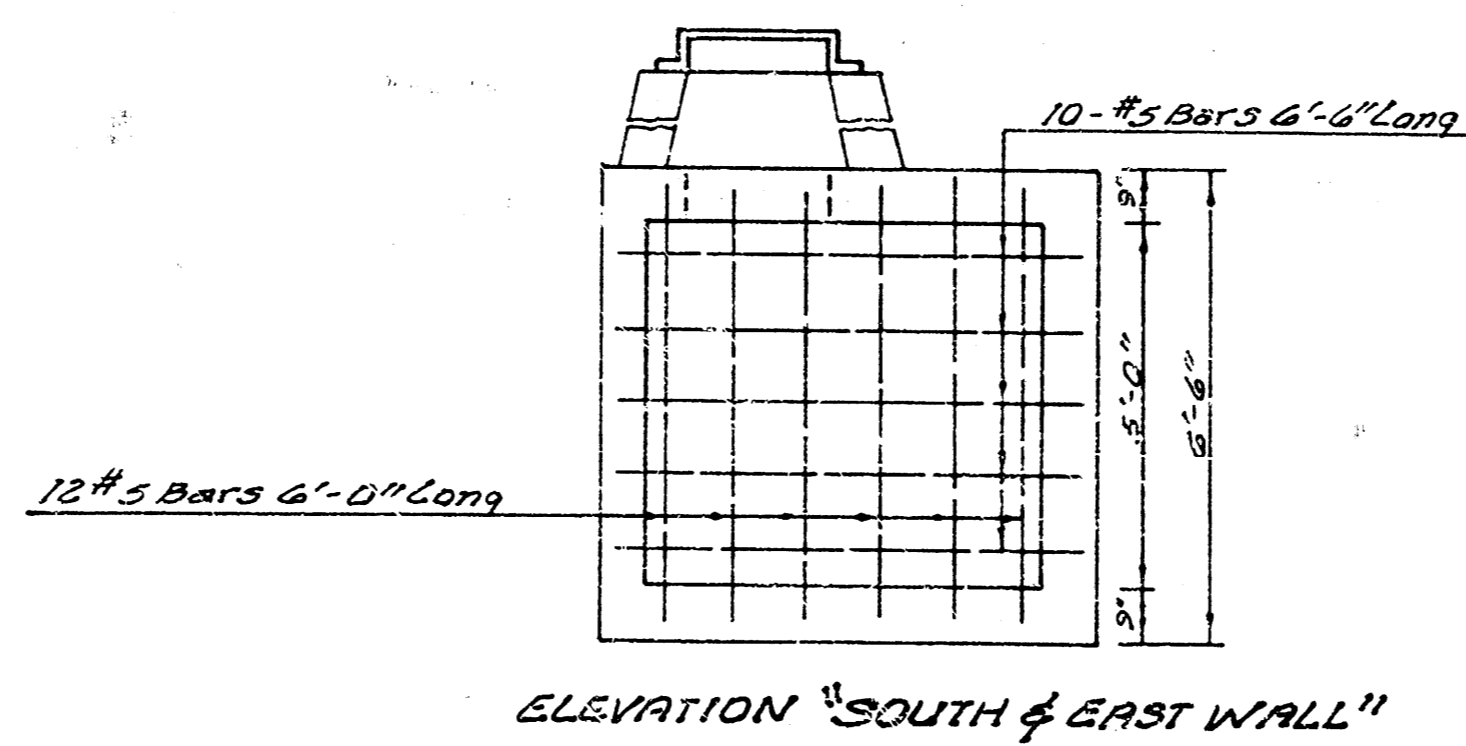
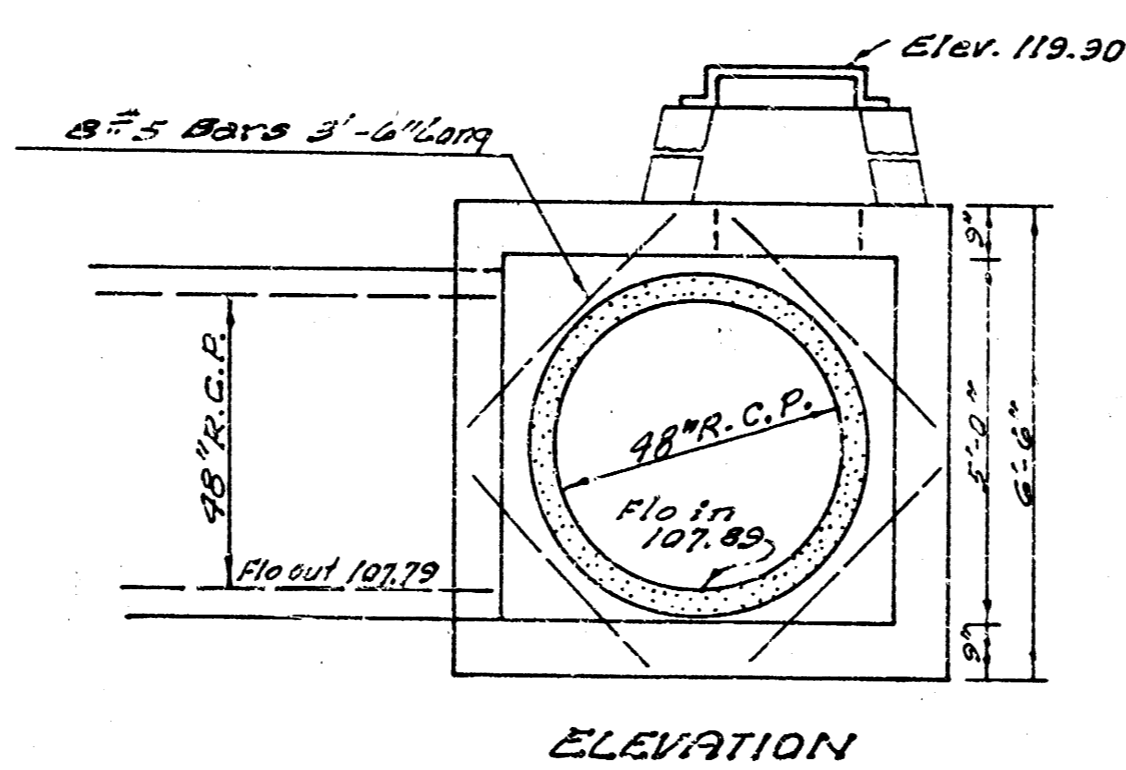
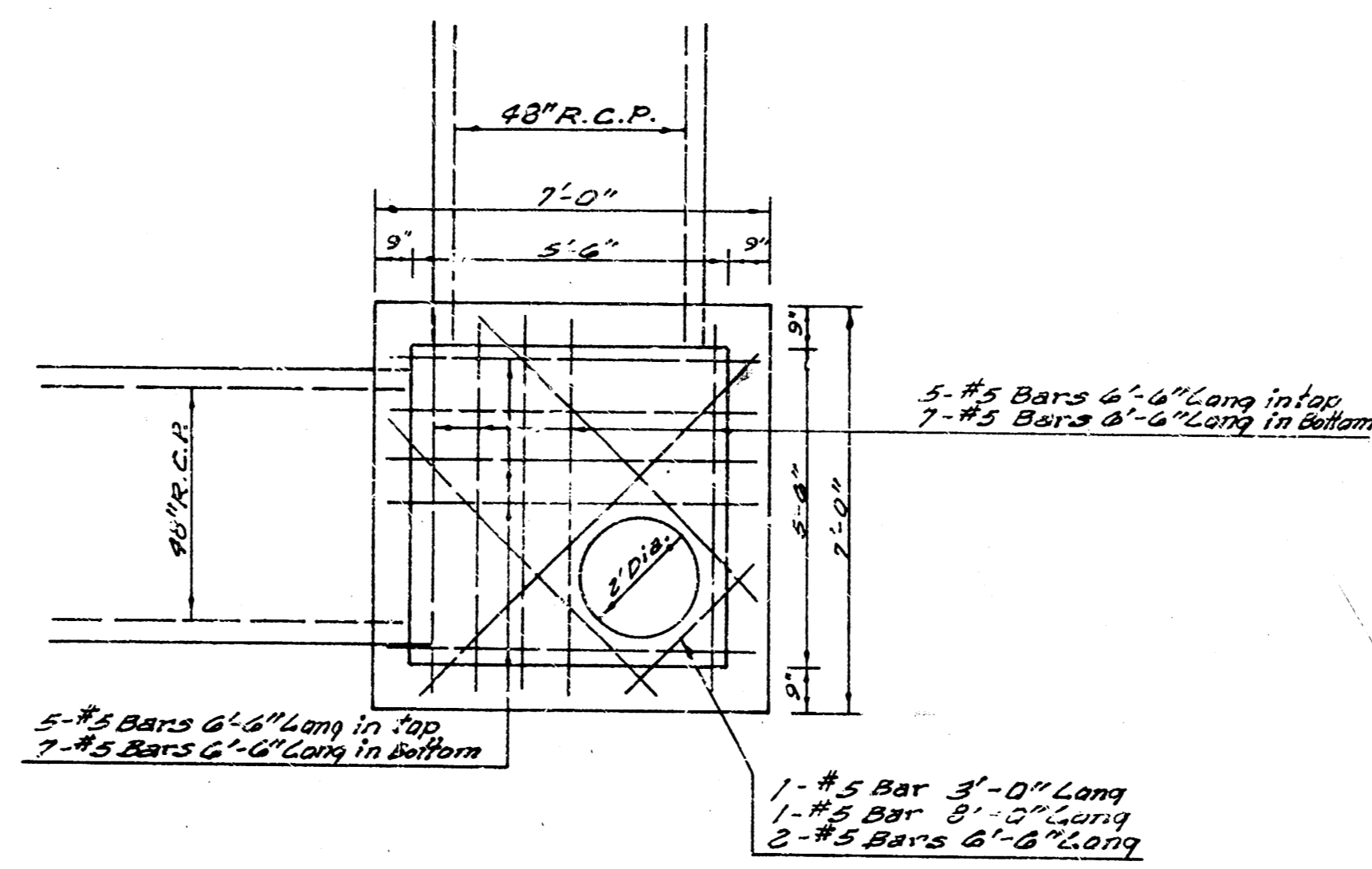
PLAN VIEW



REINF. CONC. MANHOLE STA. 21692

Scale 3/8" = 1'-0"

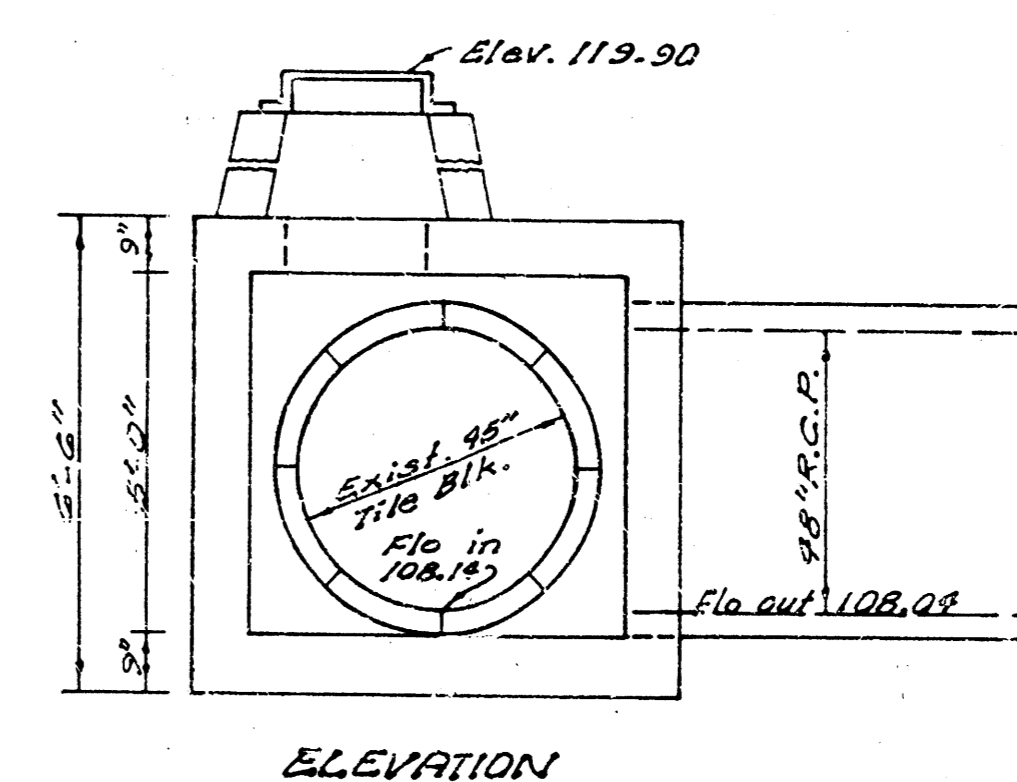
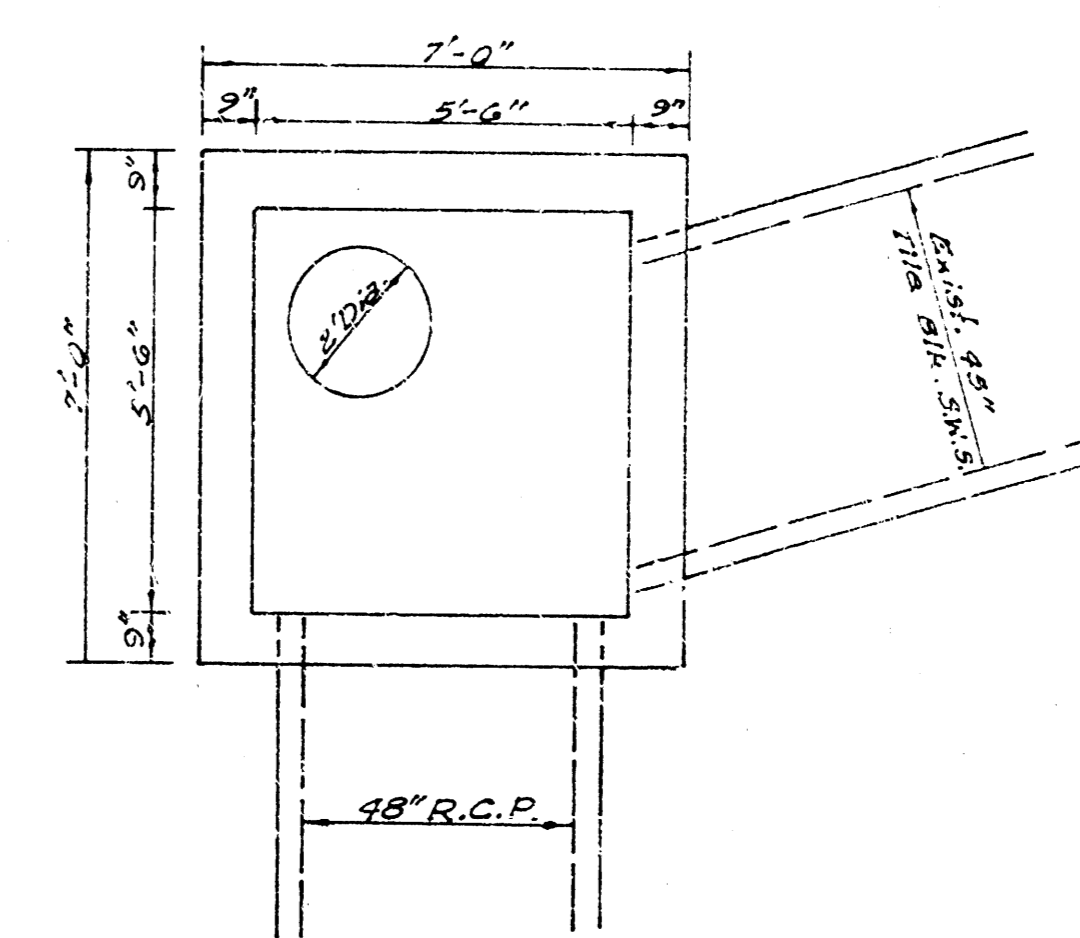
PLAN VIEW



REINF. CONC. MANHOLE STA. 31442

Scale 3/8" = 1'-0"

PLAN VIEW



NOTE: SEE STA. 21692 M.H. FOR STEEL DETAIL

2/2

RELOCATION OF PART OF S.W.S. 15
EAST HIGH SCHOOL - PRIVATE PROJECT