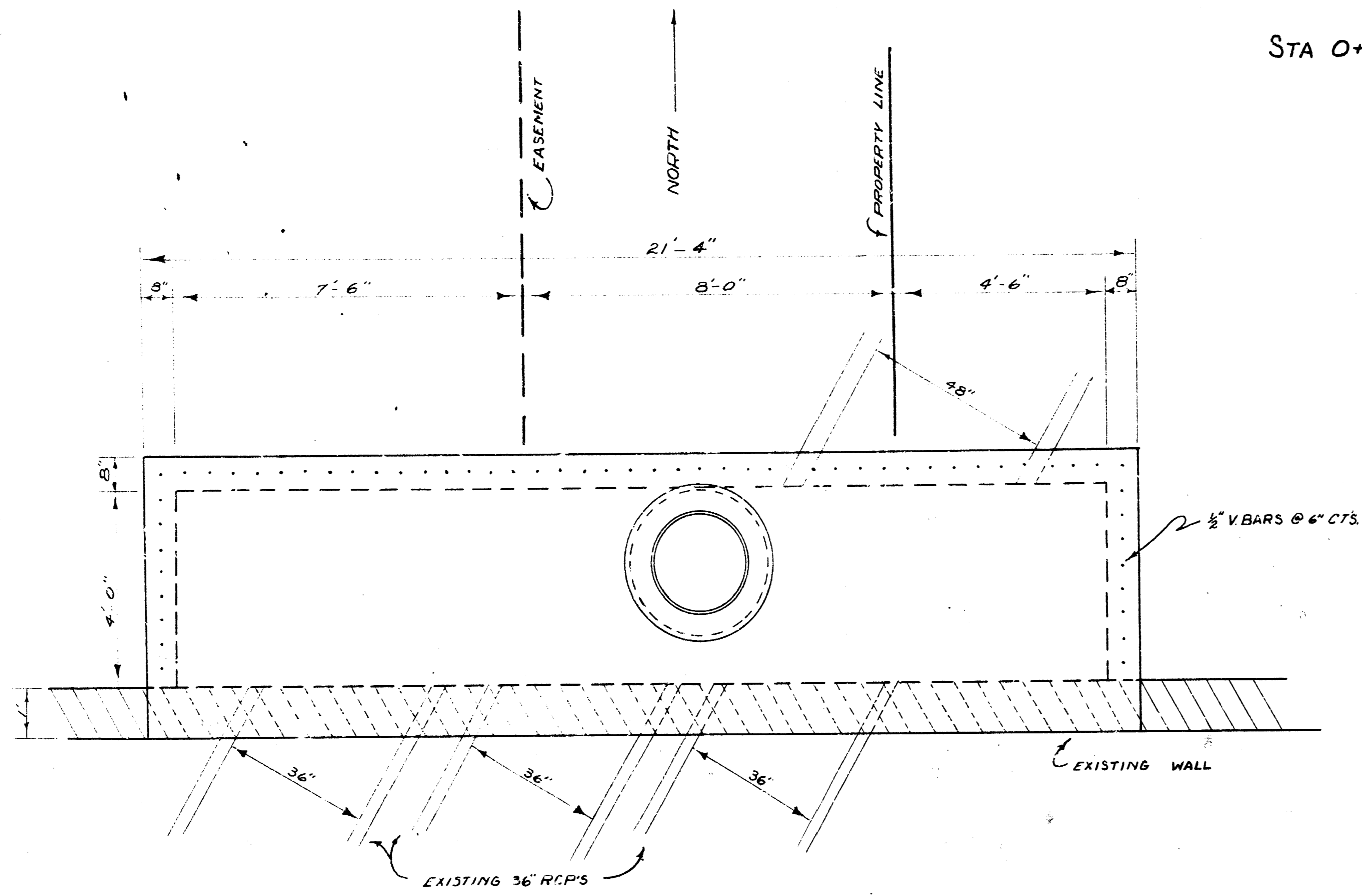
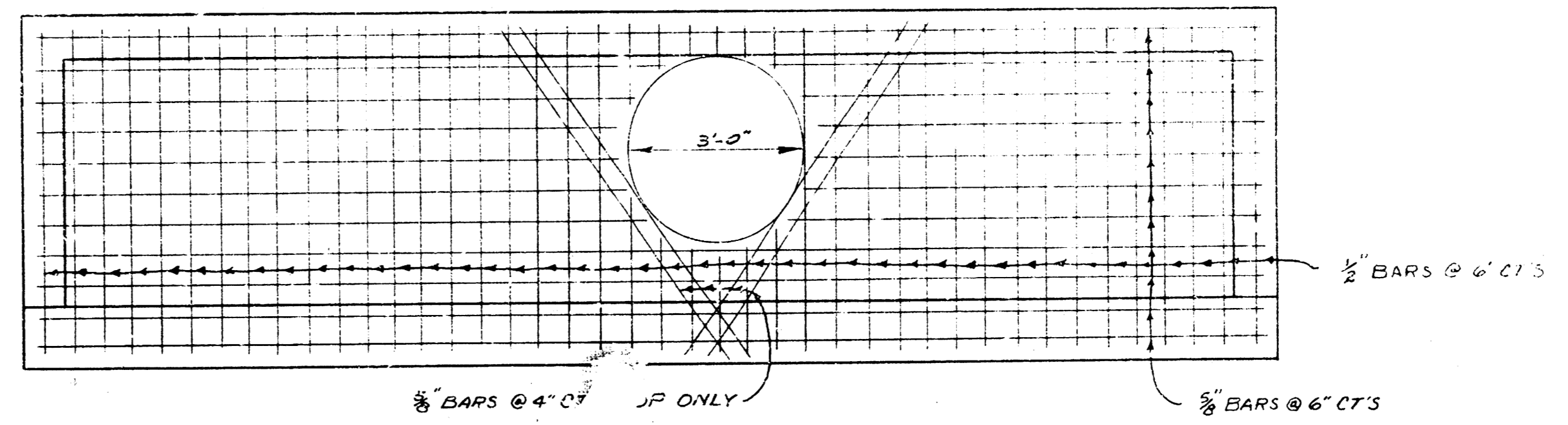


BENEFIT DISTRICT
 STORM WATER SEWER DISTRICT
 NO. 46
 CITY OF WICHITA KANSAS
 PROJECT NO. C-22-64
 JUNE 1952

STA 0+00 CONC. MANHOLE DETAILS



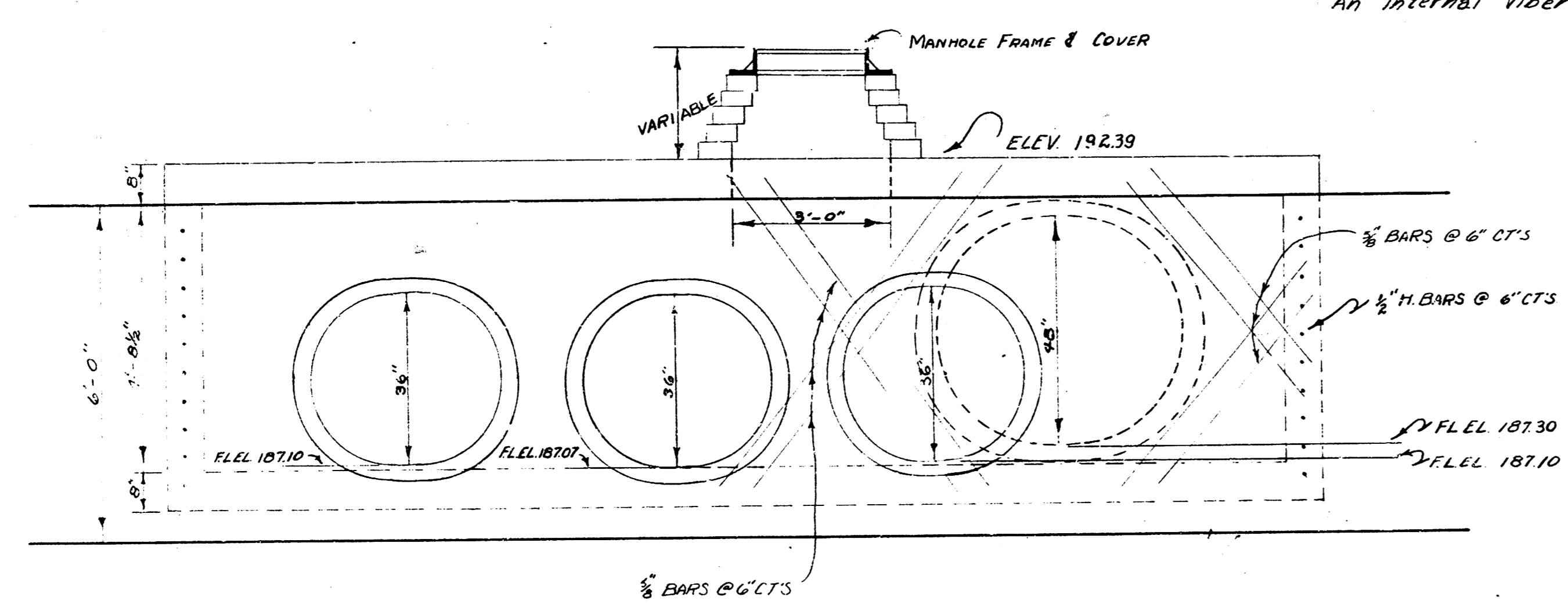
PLAN VIEW



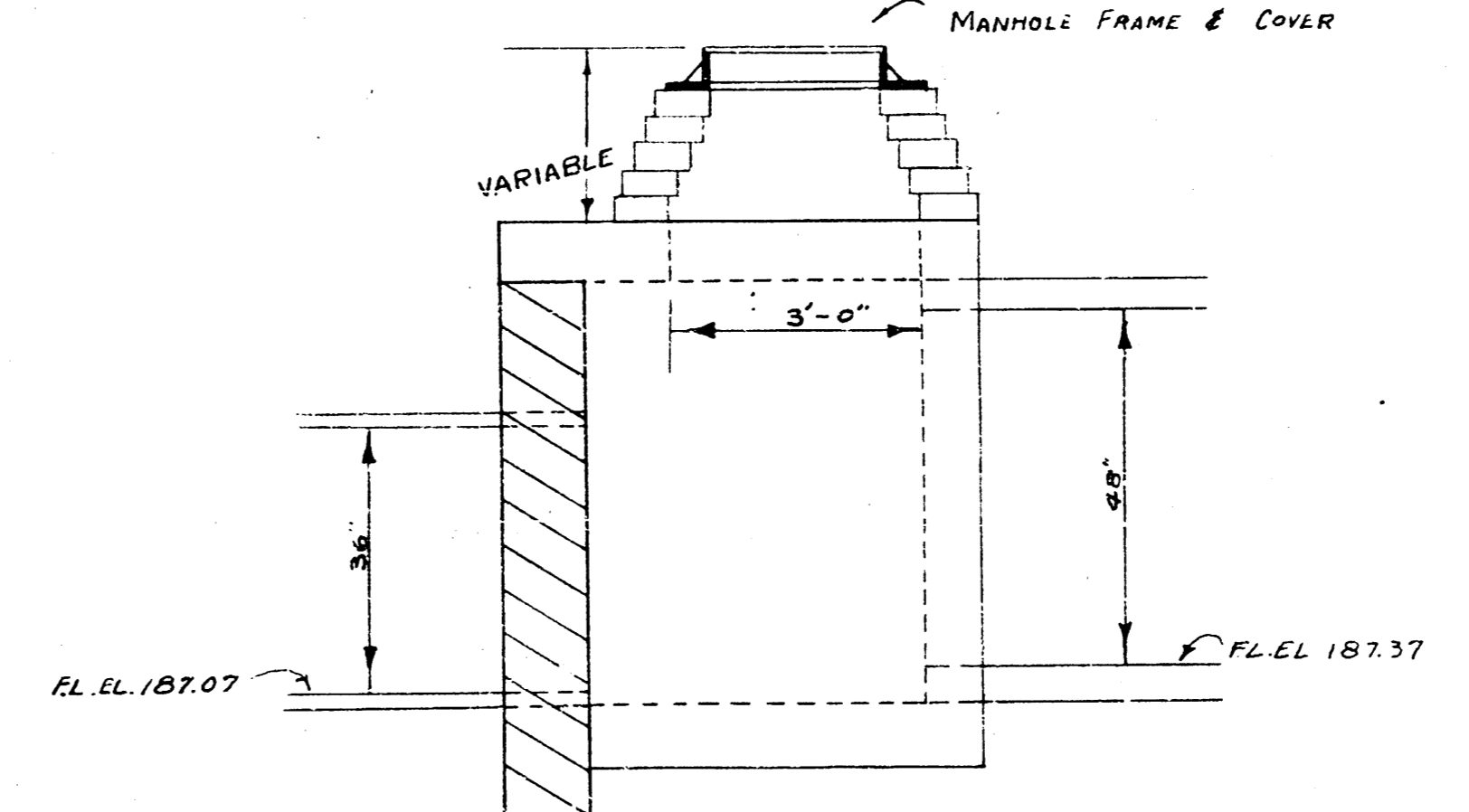
TYPICAL SEC. TOP & BOTTOM STEEL PATTERN

Conc. for manholes shall contain not less than 165 lbs of concrete per cubic yard of concrete. In no event shall the total water content exceed 6.25 gallons per sack of cement. The mixture of fine and coarse aggregate shall be such as to produce a maximum density & the most workable mixture.

IN GENERAL: Pipes will enter and leave the manhole at various angles and elevations. Where possible bend reinforcement bars around pipes (24\"/>

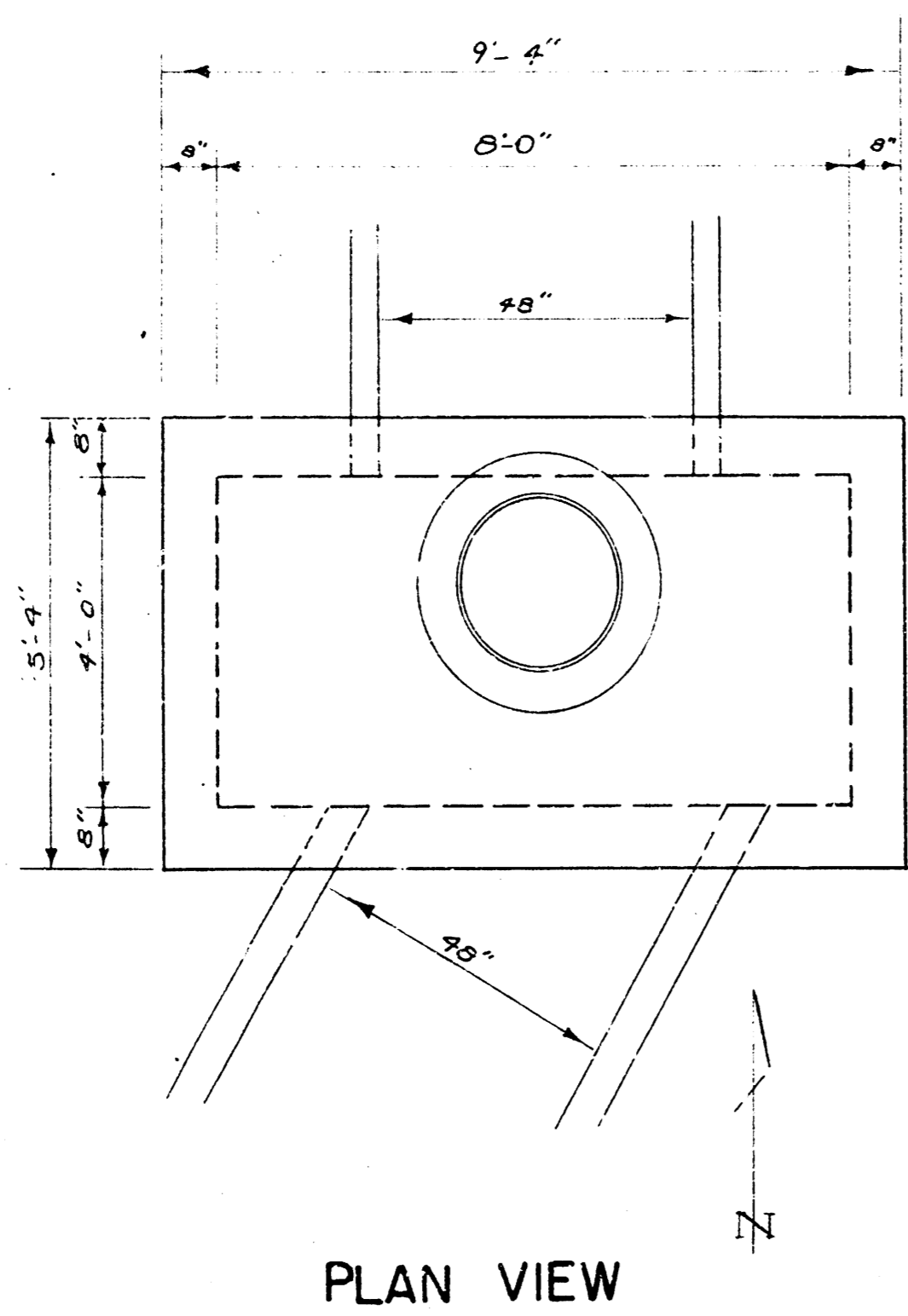


SIDE ELEVATION

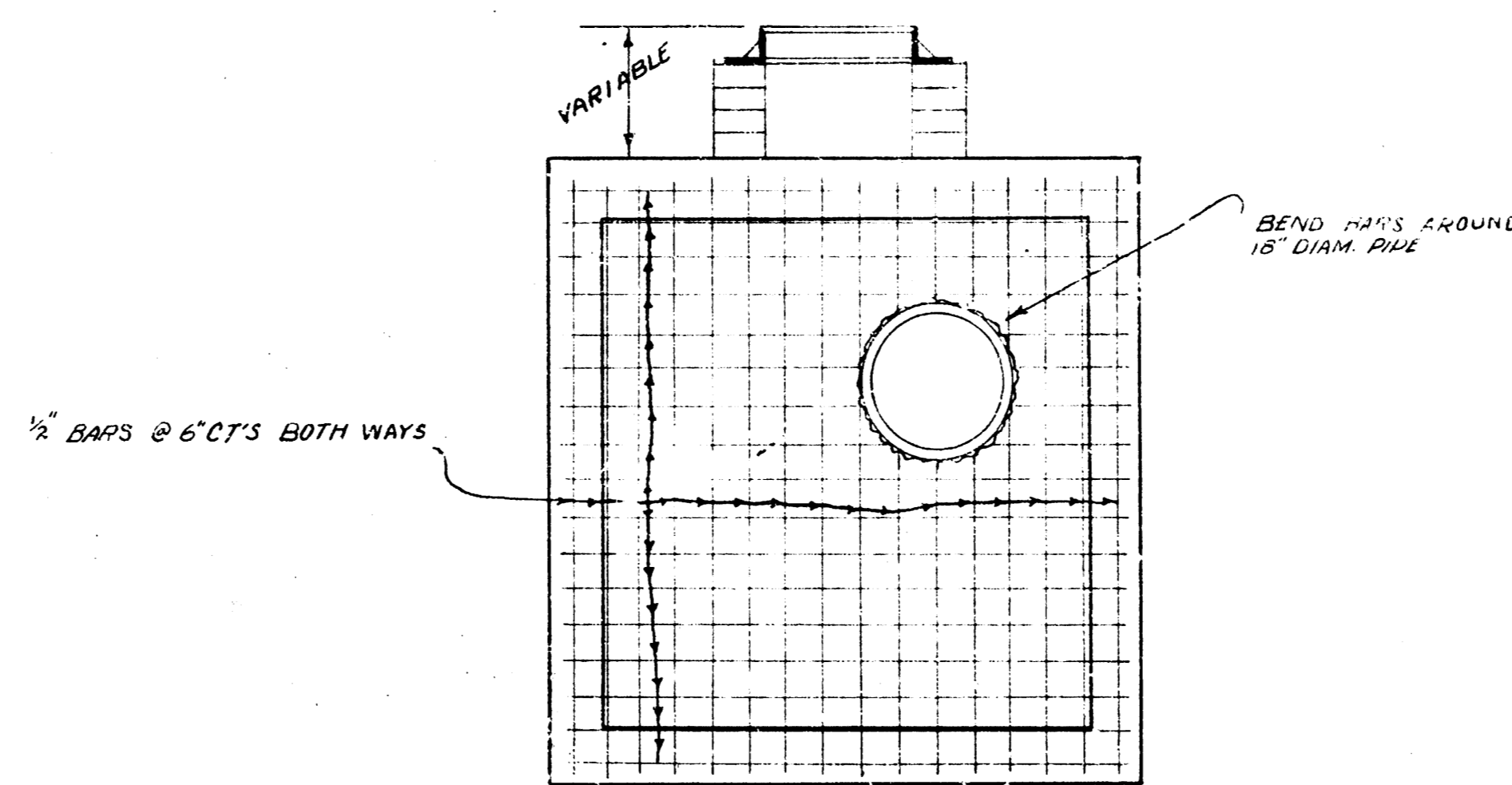


END ELEVATION

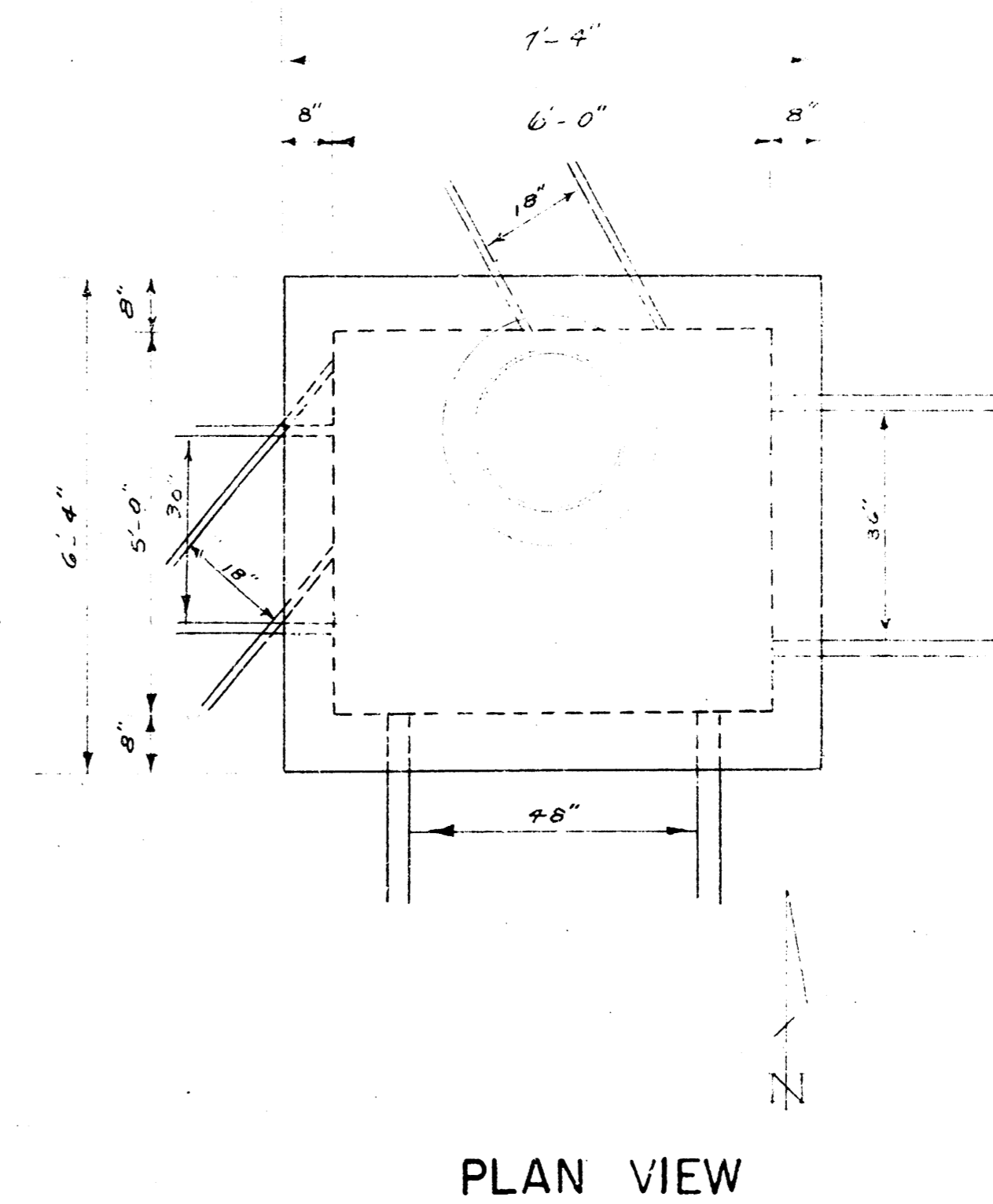
STORM WATER SEWER DIST. NO. 46
 CITY OF WICHITA KANSAS
 L.K. WHITE CITY ENGINEER
 PROJ. NO. C-22-64
 JUNE 1952



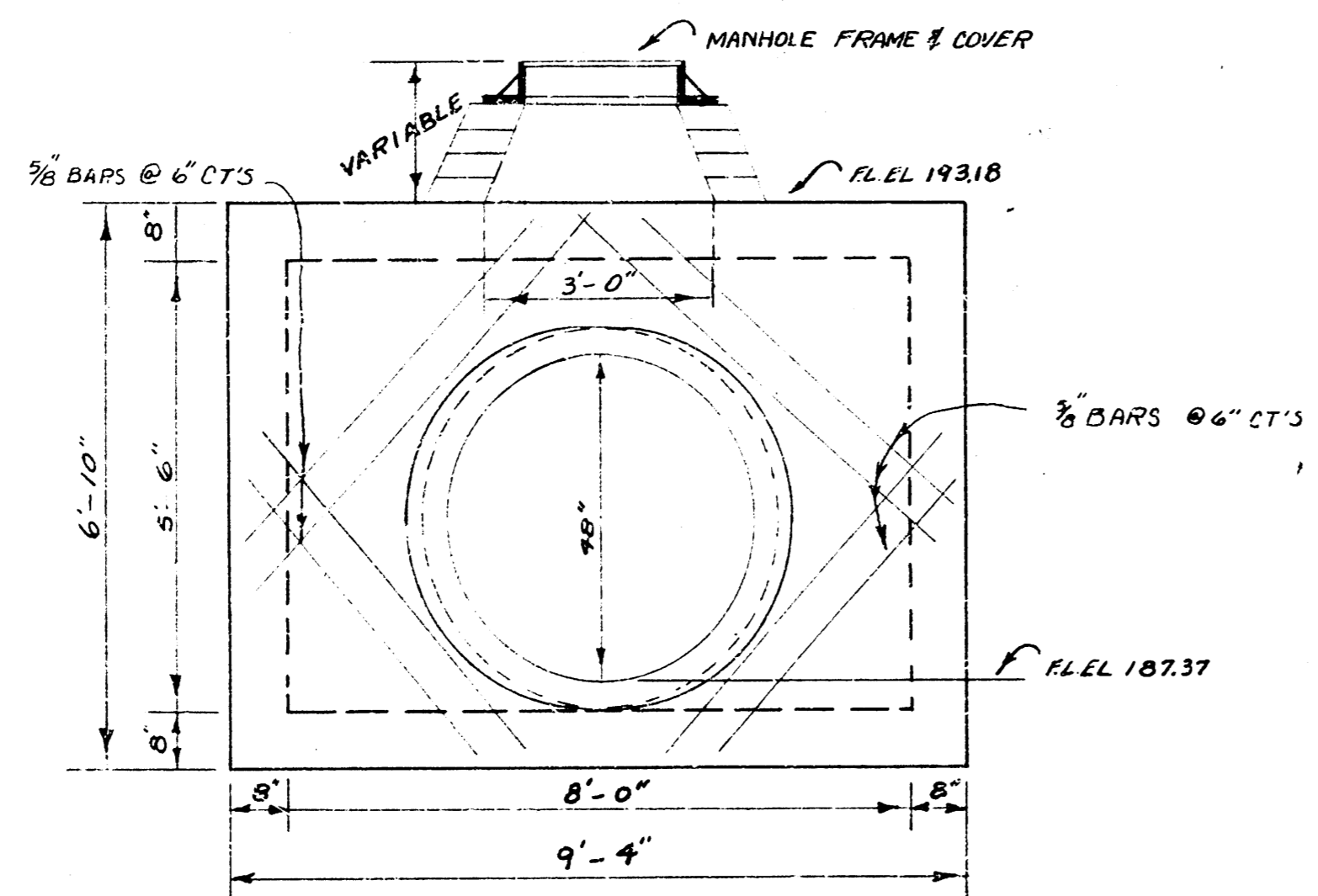
PLAN VIEW



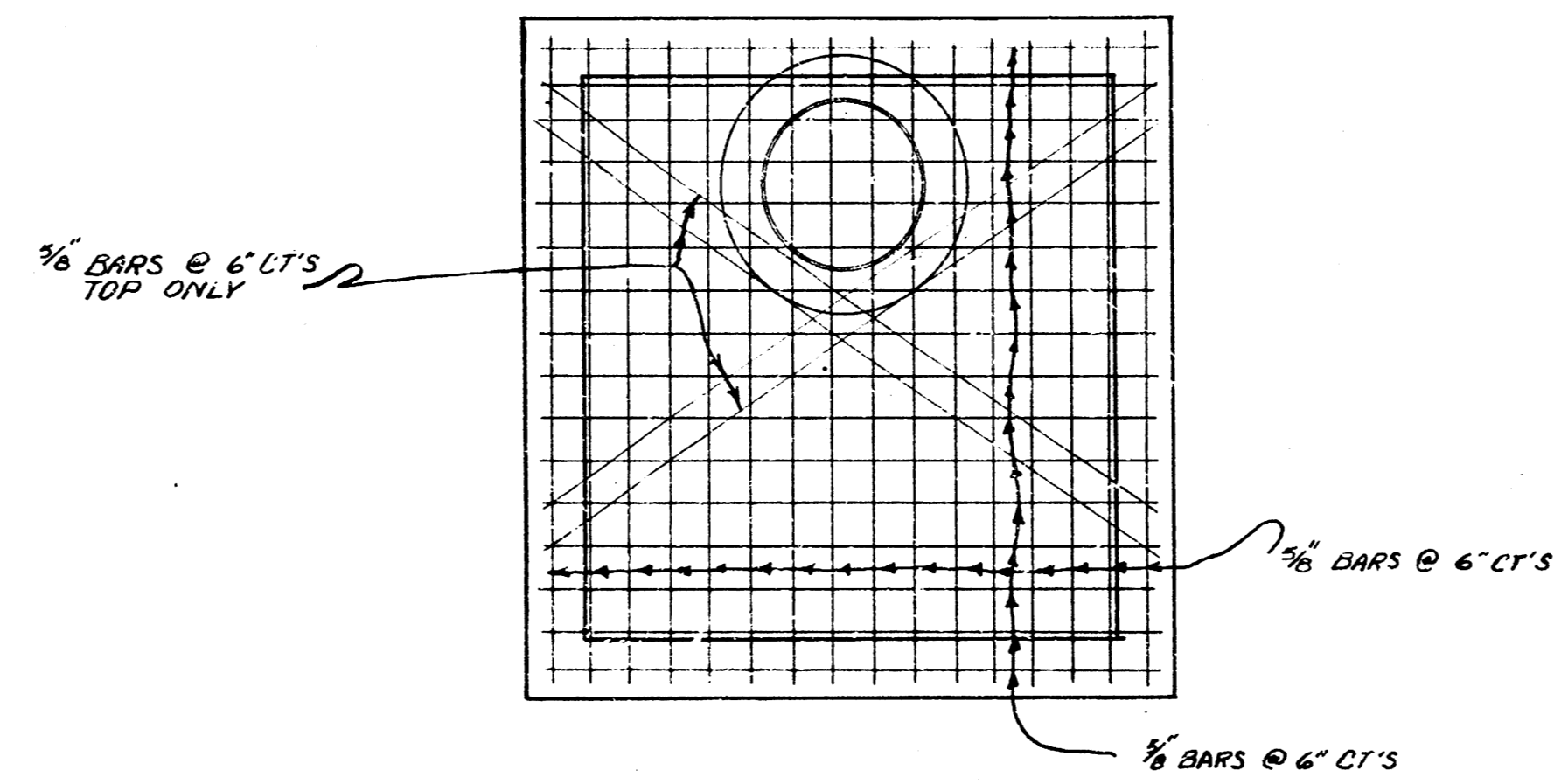
TYPICAL WALL SEC.
STEEL PATTERN



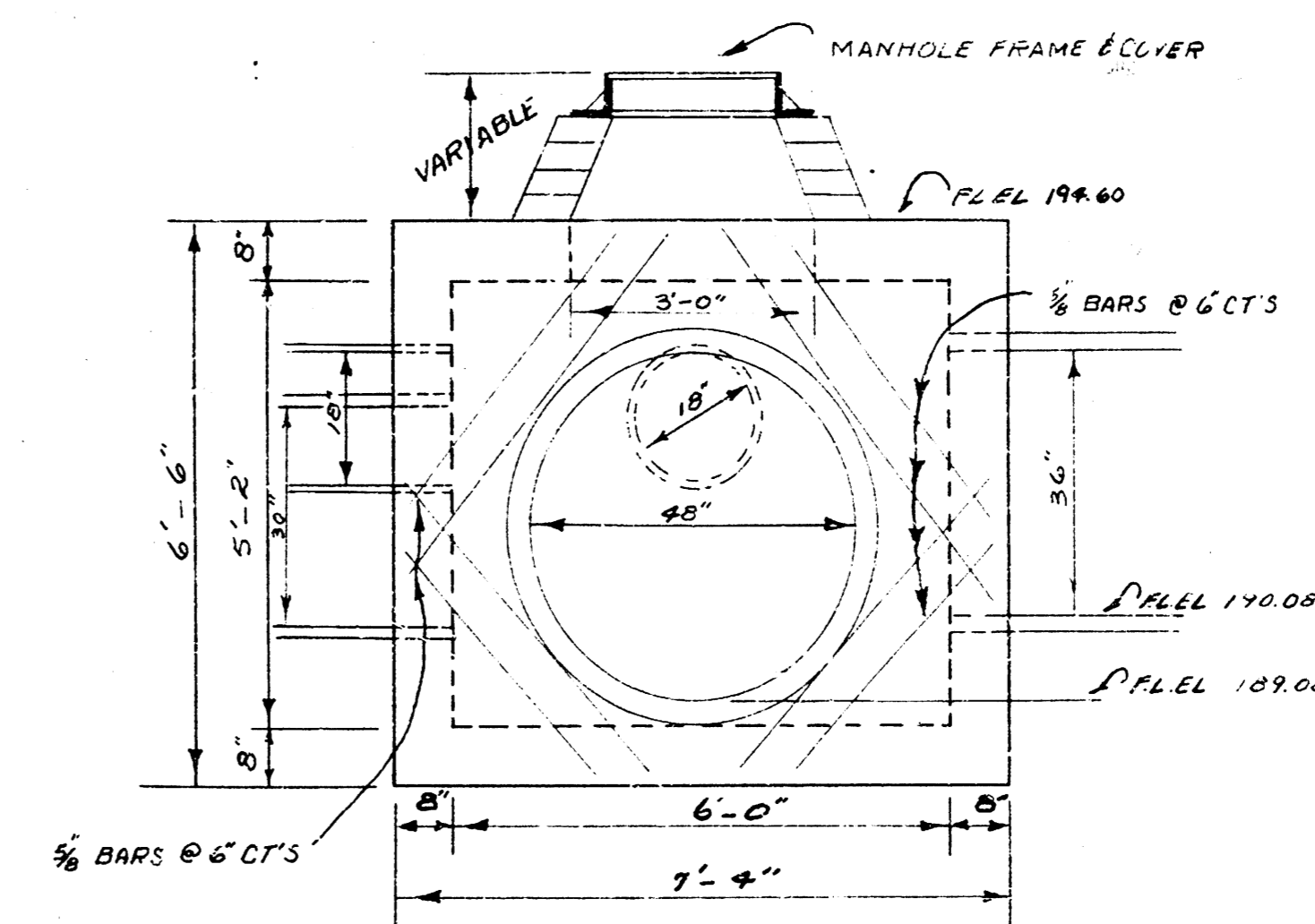
PLAN VIEW



ELEVATION
TWO END WALLS
SCALE 1/4" = 1'-0"
REINF CONC. MANHOLE STA. 0+25.6



TYPICAL SEC. TOP & BOTTOM
STEEL PATTERN
NO SCALE



ELEVATION
TWO END WALLS
SCALE 1/4" = 1'-0"
REINF CONC. MANHOLE STA. 5+95.6

STORM WATER SEWER DIST. NO. 46
CITY OF WICHITA KANSAS
L.K. WHITE CITY ENGINEER
PROJ. NO. C-22-64
JUNE 1952