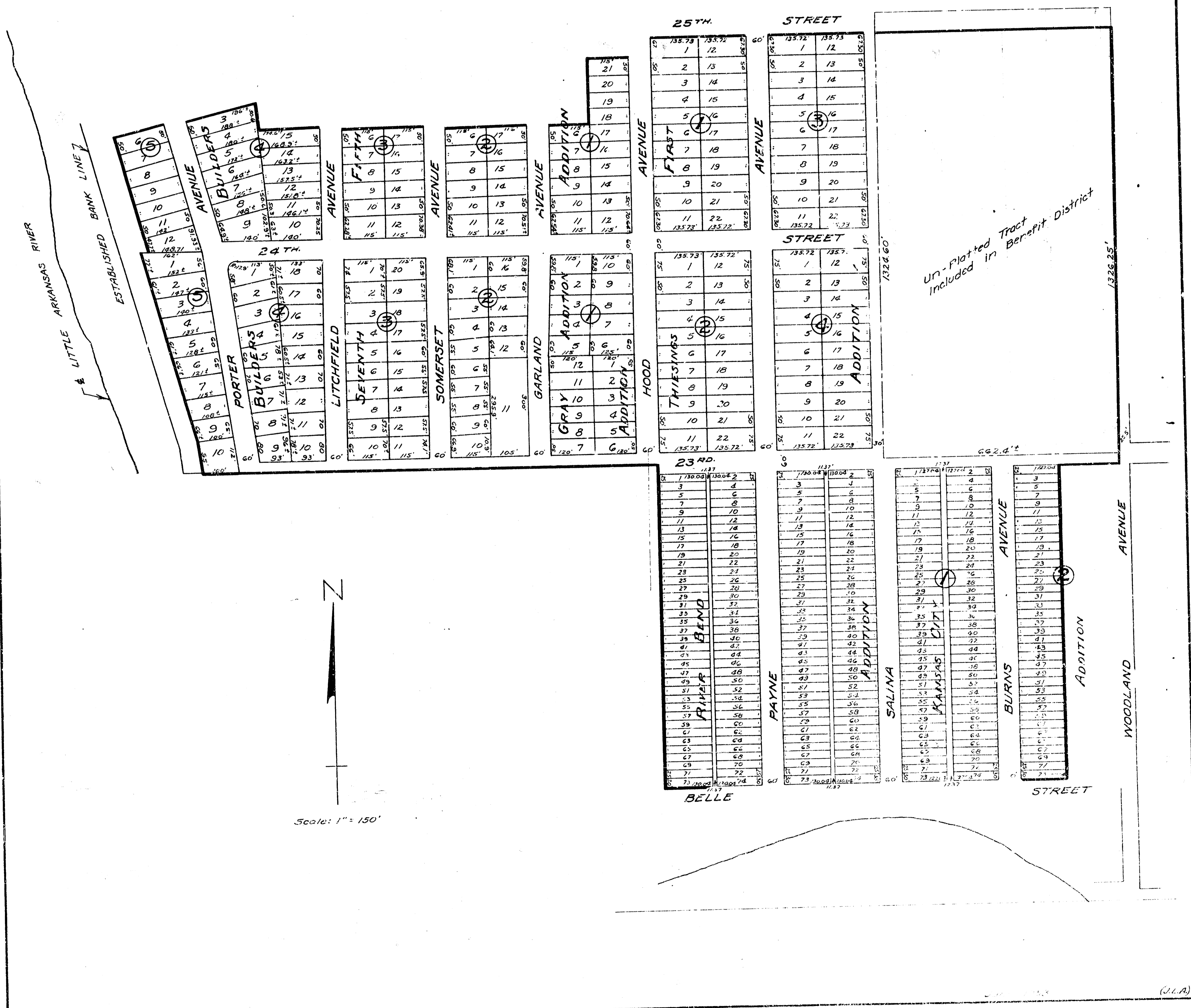


**BENEFIT DISTRICT  
STORM WATER SEWER DIST. NO. 54  
CITY OF WICHITA KANSAS**

B. E. SMITH CITY ENGINEER



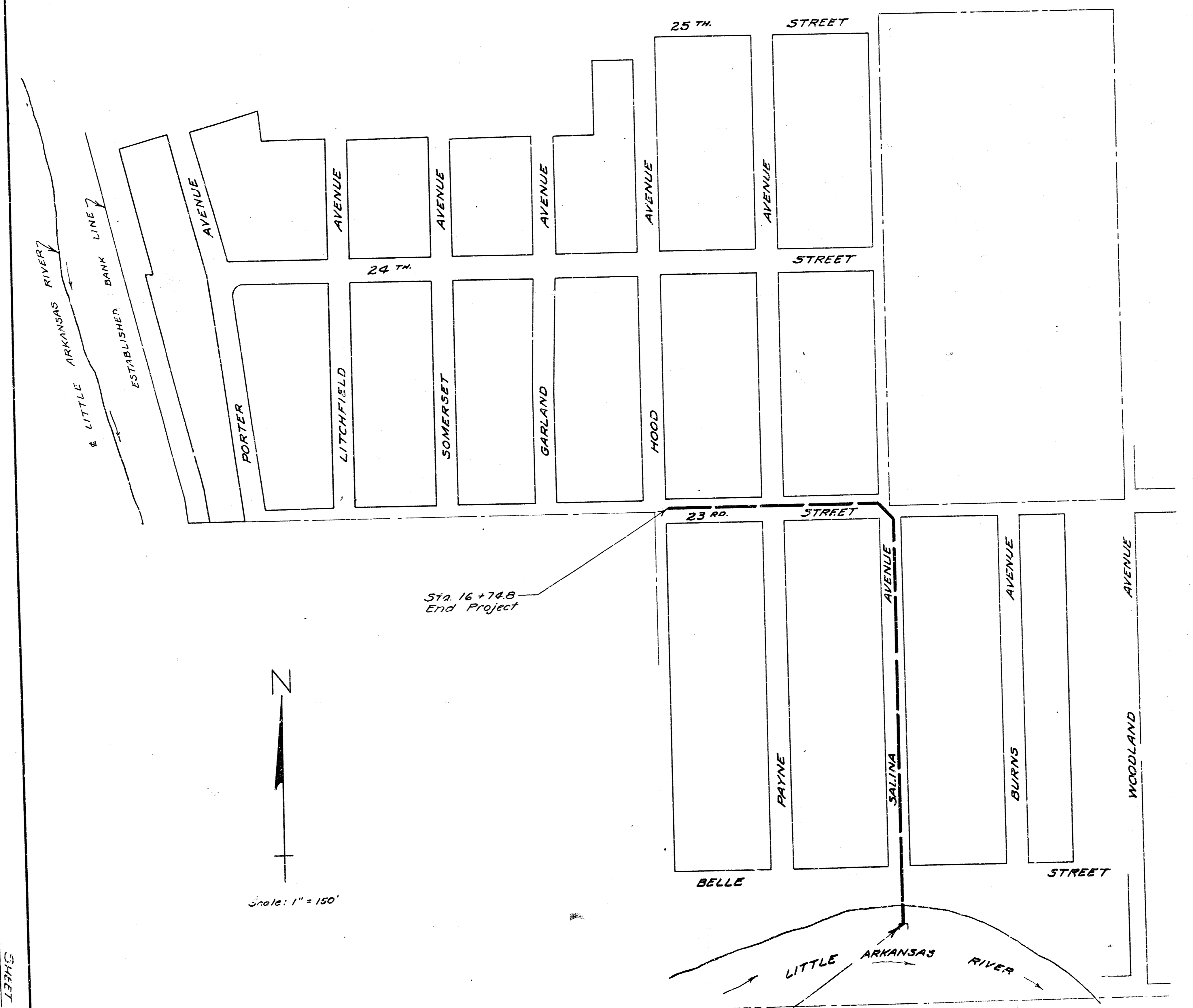
(S.L.A.)

LOCATION MAP  
STORM WATER SEWER DIST. NO. 54  
**CITY OF WICHITA KANSAS**

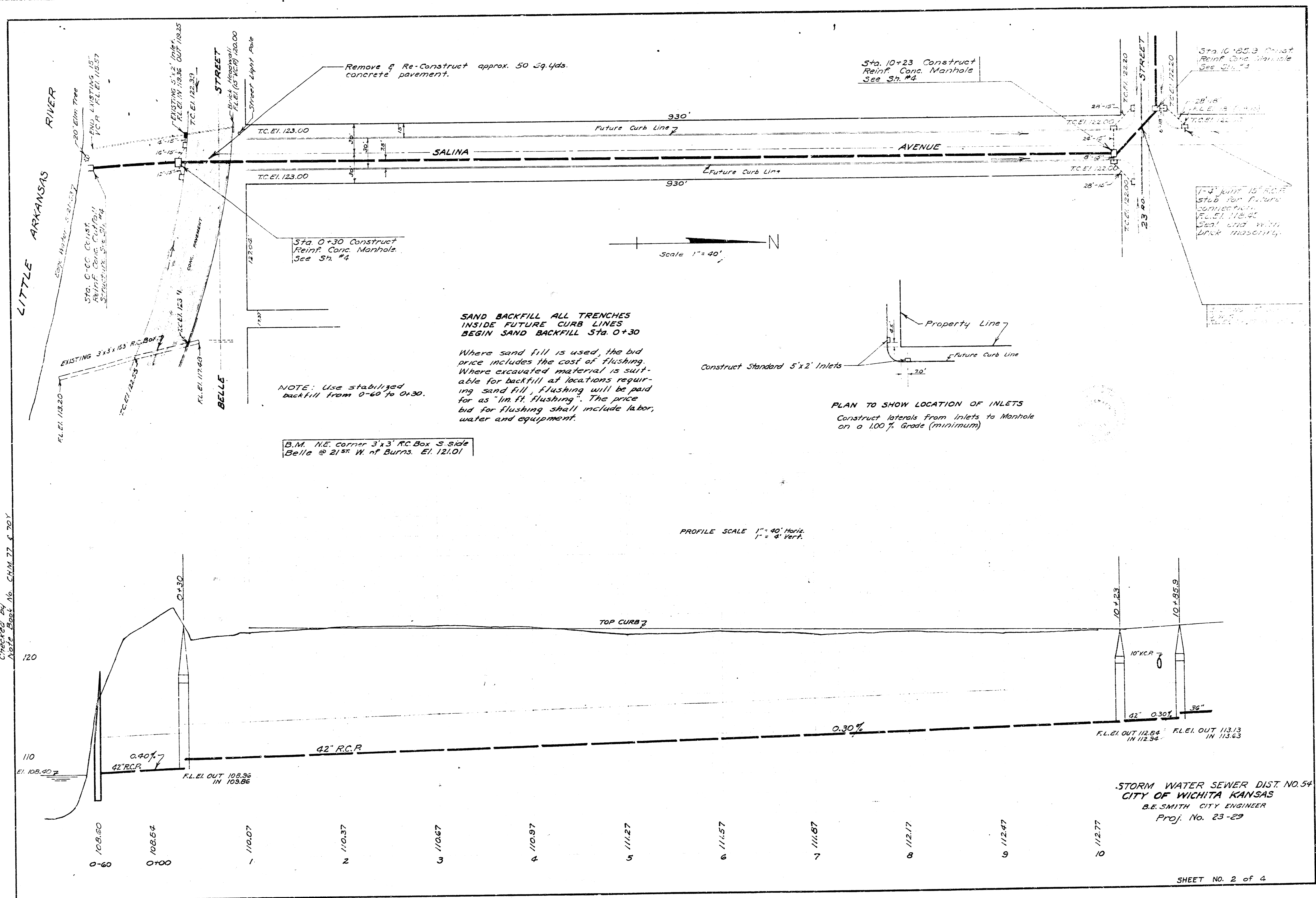
B.E. SMITH CITY ENGINEER

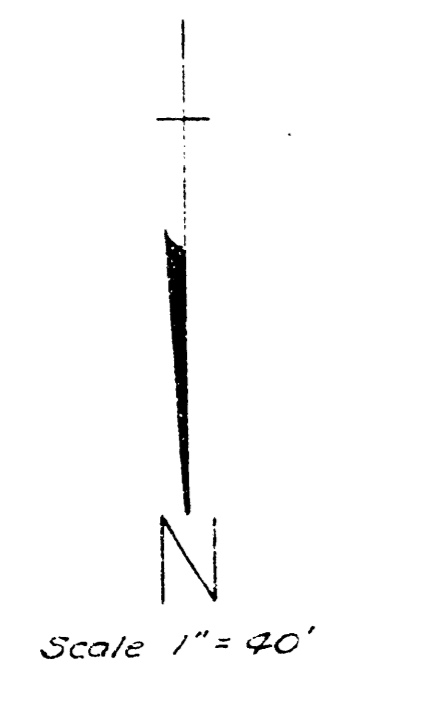
PROJECT NO. C23-29

SHEET NO. 1 OF 4 SHEETS

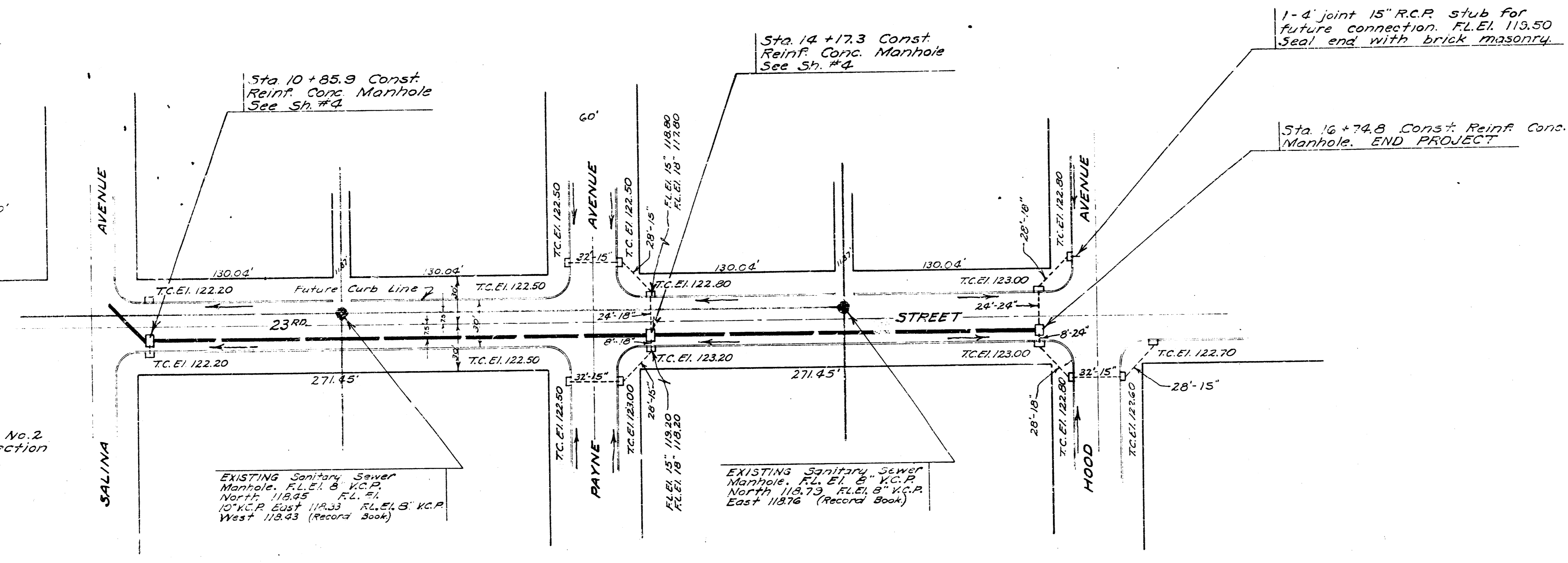


Date 6-2-53  
 Drawn by J.L.A.  
 Checked by  
 Note Book No. CHM 77 of 201





See Sheet No. 2 for intersection details.

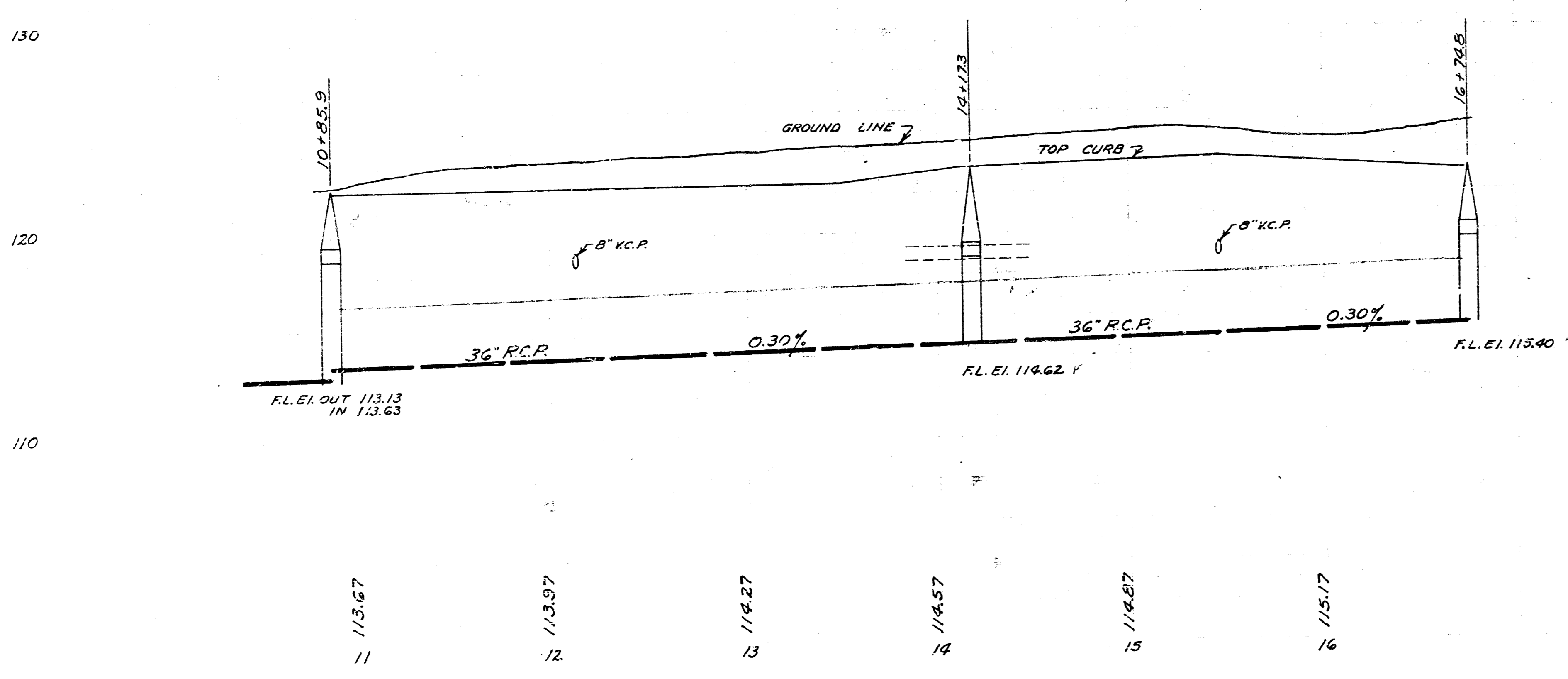


EXISTING Sanitary Sewer Manhole, R.L.E. B K.C.P. North 118.99, R.L.E. 10' K.C.P. East 114.33, R.L.E. 5' K.C.P. West 118.43 (Record Book)

EXISTING Sanitary Sewer Manhole, R.L.E. B K.C.P. North 118.73, R.L.E. 9' K.C.P. East 118.76 (Record Book)

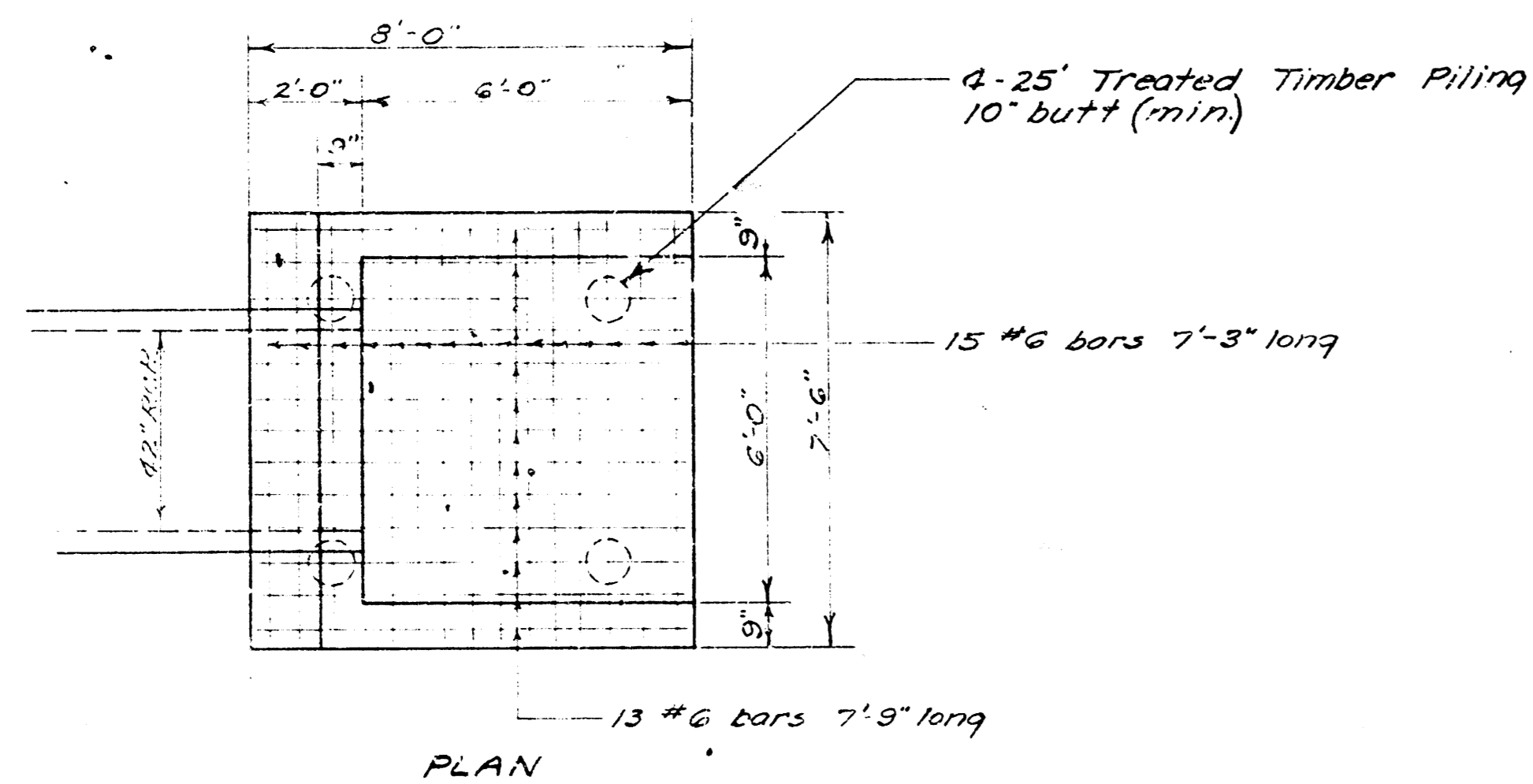
B.M. 60" Spk. S.E. side H.L. Pole 1st pole W. of Hood, N.S. 23rd Street. E.I. 124.99

PROFILE SCALE 1" = 40' Horiz. 1" = 4' Vert.



Date: 5-2-53  
 Drawn by: J.L.A.  
 Checked by: [Signature]

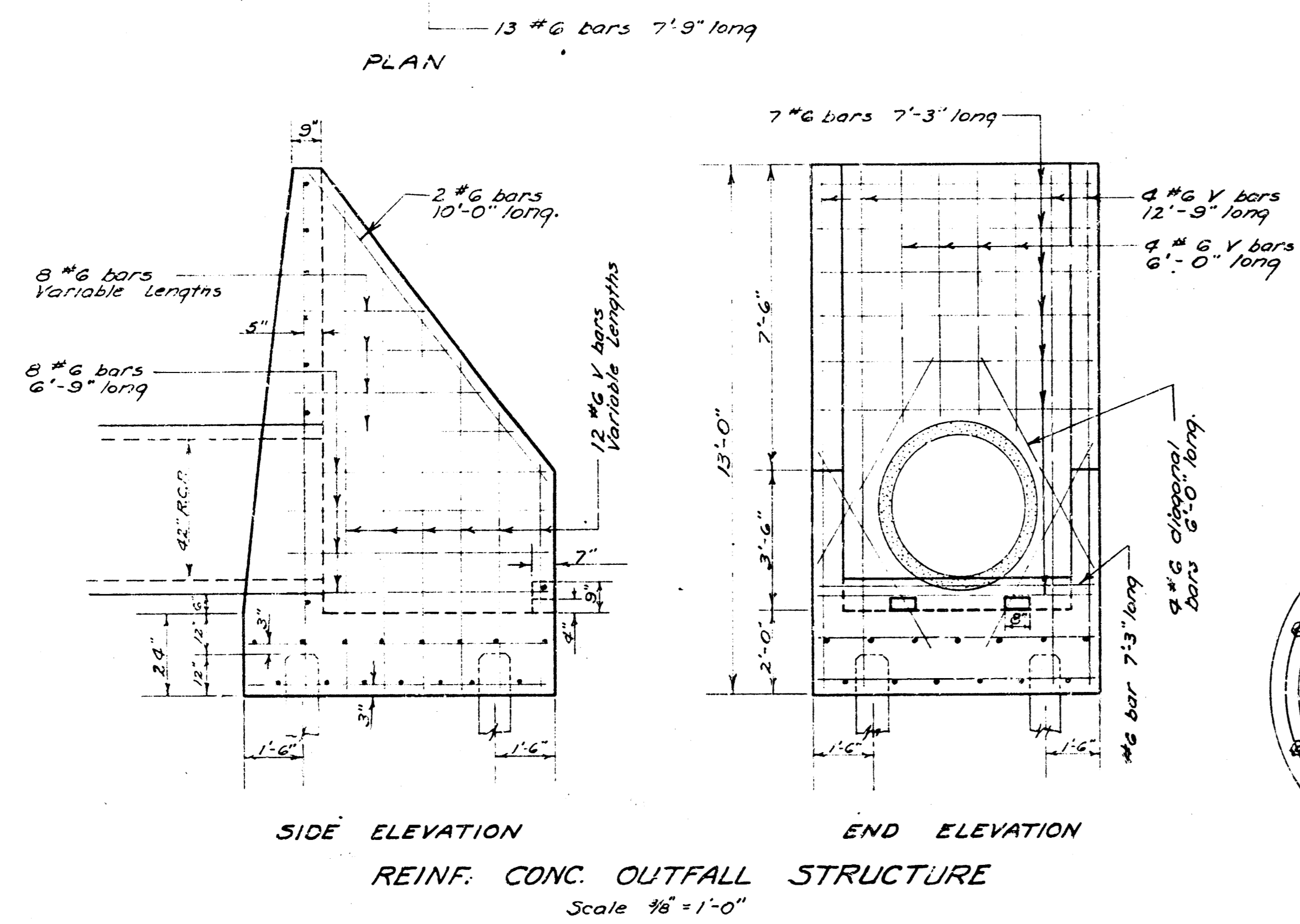
STORM WATER SEWER DIST. NO. 54  
 CITY OF WICHITA KANSAS  
 B.E. SMITH, CITY ENGINEER  
 Proj. No. C23-29



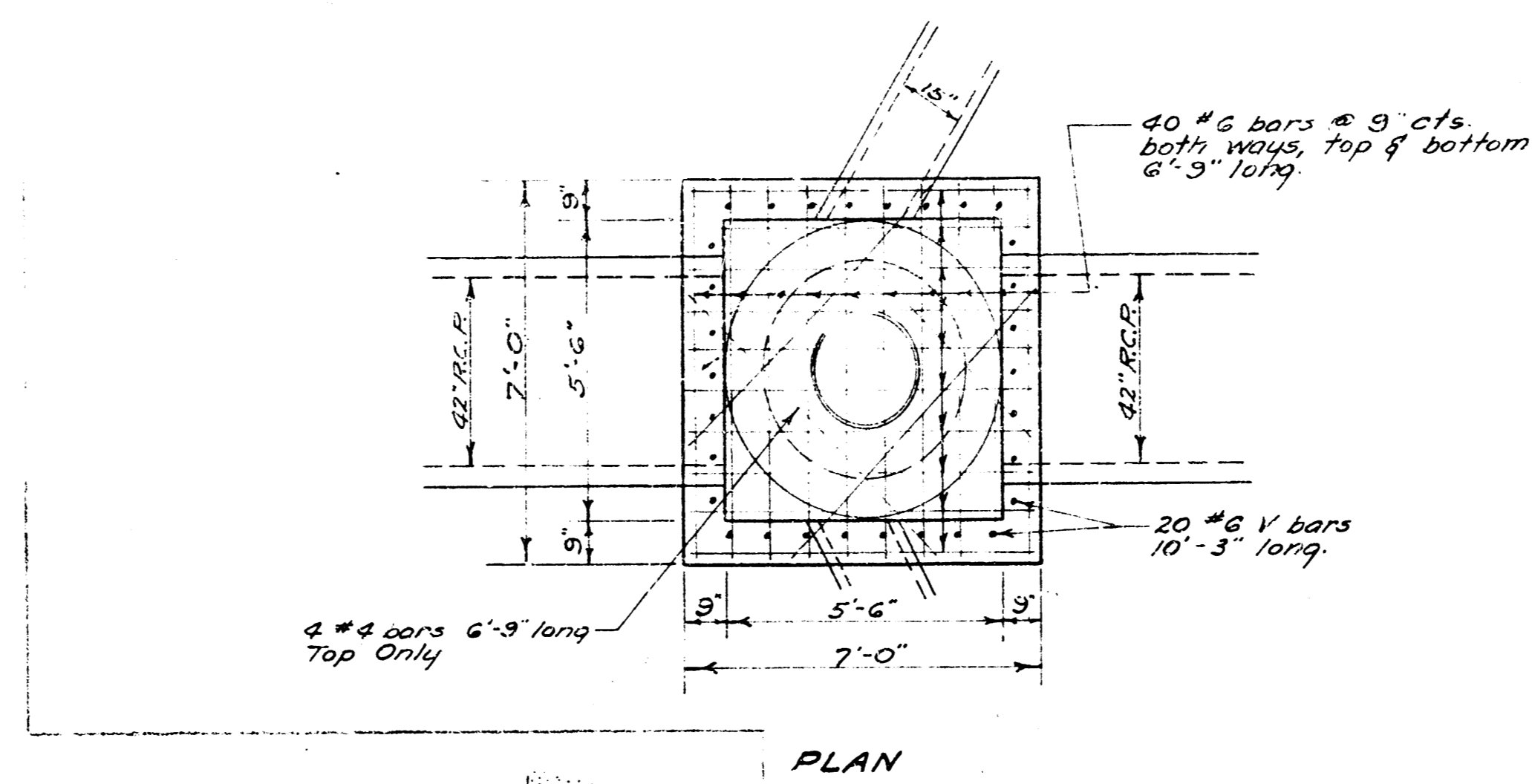
Concrete for structures shall contain not less than 165 lbs. of cement per cu. yd. of concrete. In no event shall the total water content exceed 6.25 gals. per sack of cement. The mixture of fine and coarse aggregate shall be such as will produce a maximum density of a most workable mixture.

IN GENERAL - Pipes will enter and leave the manholes at various angles and elevations. Where possible bend reinforcing bars around pipes (24" diam. or less). Where pipes are large use diagonal bars as shown.

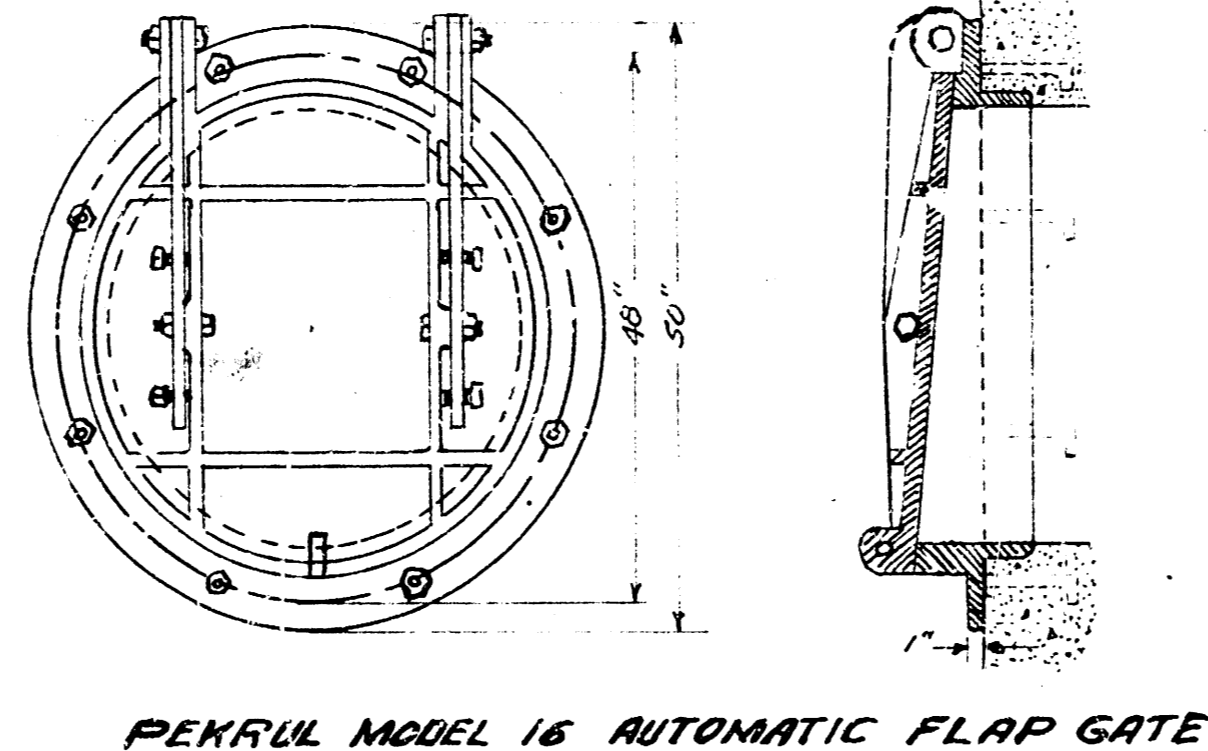
The floor of the manhole is to be shaped for flow and drainage. No deduction in concrete quantities shall be made for shaping manhole floor. An internal vibrator shall be used for placing concrete.



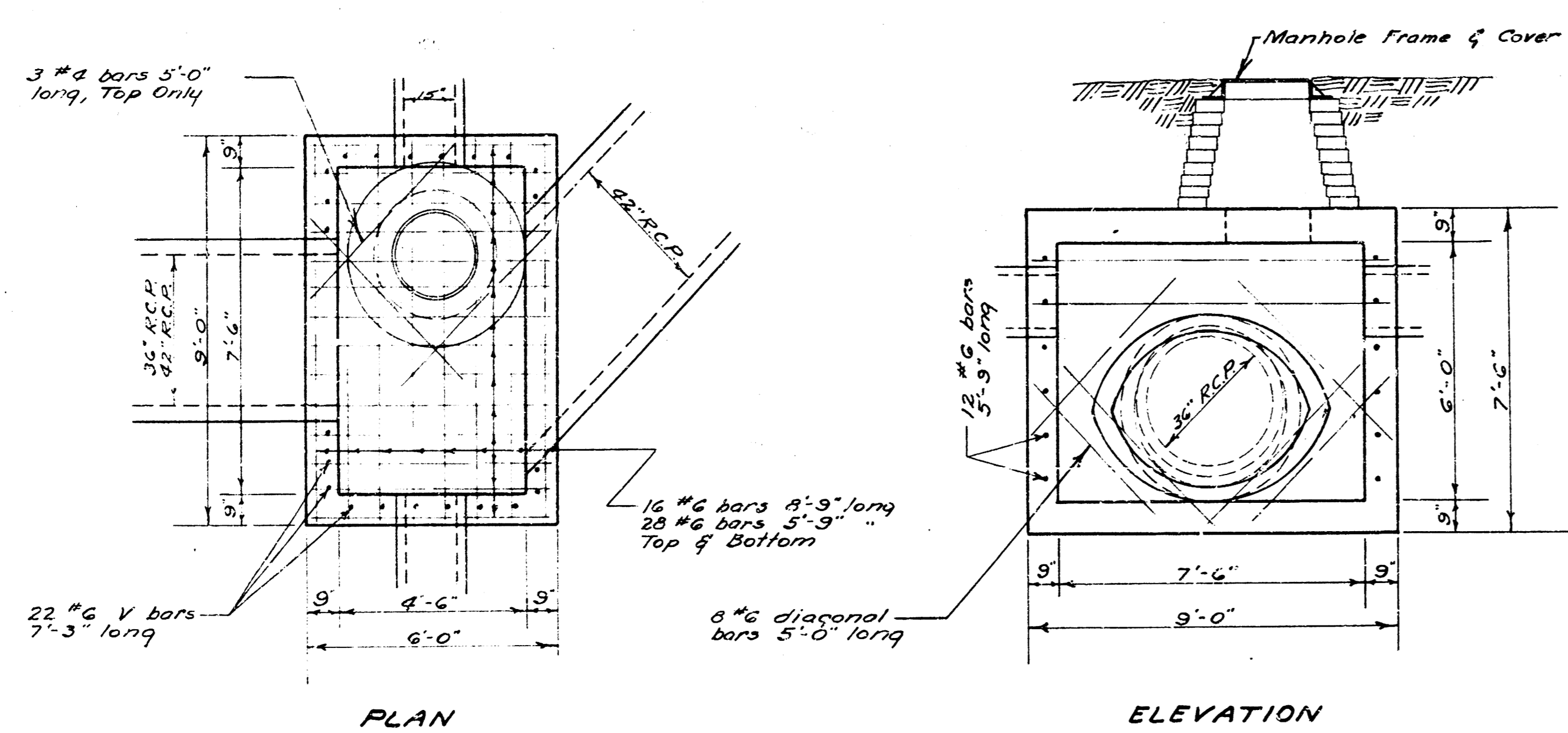
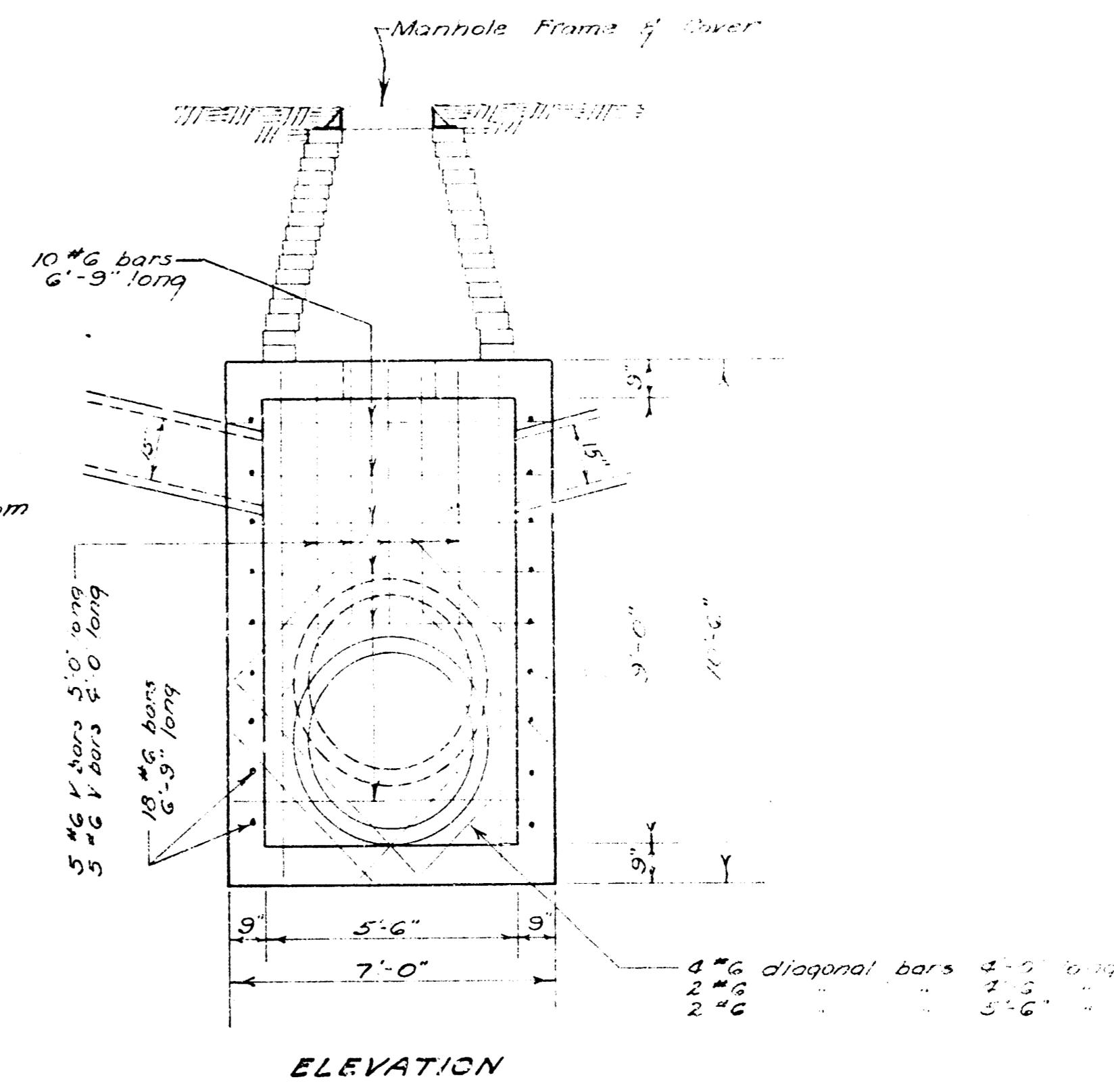
REINF. CONC. OUTFALL STRUCTURE  
Scale 3/8" = 1'-0"



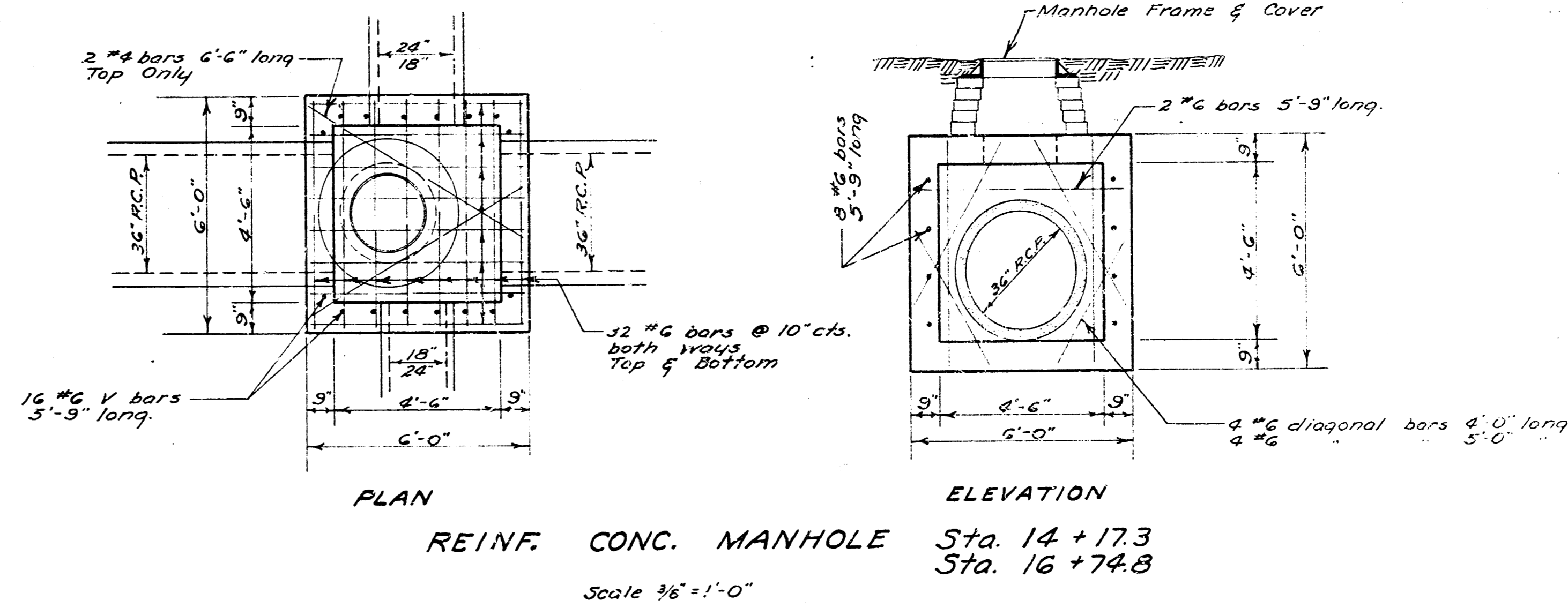
REINF. CONC. MANHOLE Sta. 0+30  
Scale 3/8" = 1'-0"



PEKROL MODEL 16 AUTOMATIC FLAP GATE  
NO SCALE



REINF. CONC. MANHOLE Sta. 10+23  
Sta. 10+85.9  
Scale 3/8" = 1'-0"



REINF. CONC. MANHOLE Sta. 14+17.3  
Sta. 16+74.8  
Scale 3/8" = 1'-0"

STORM WATER SEWER DIST. NO. 54  
CITY OF WICHITA KANSAS  
B.E. SMITH CITY ENGINEER  
Proj. No. C.23-29