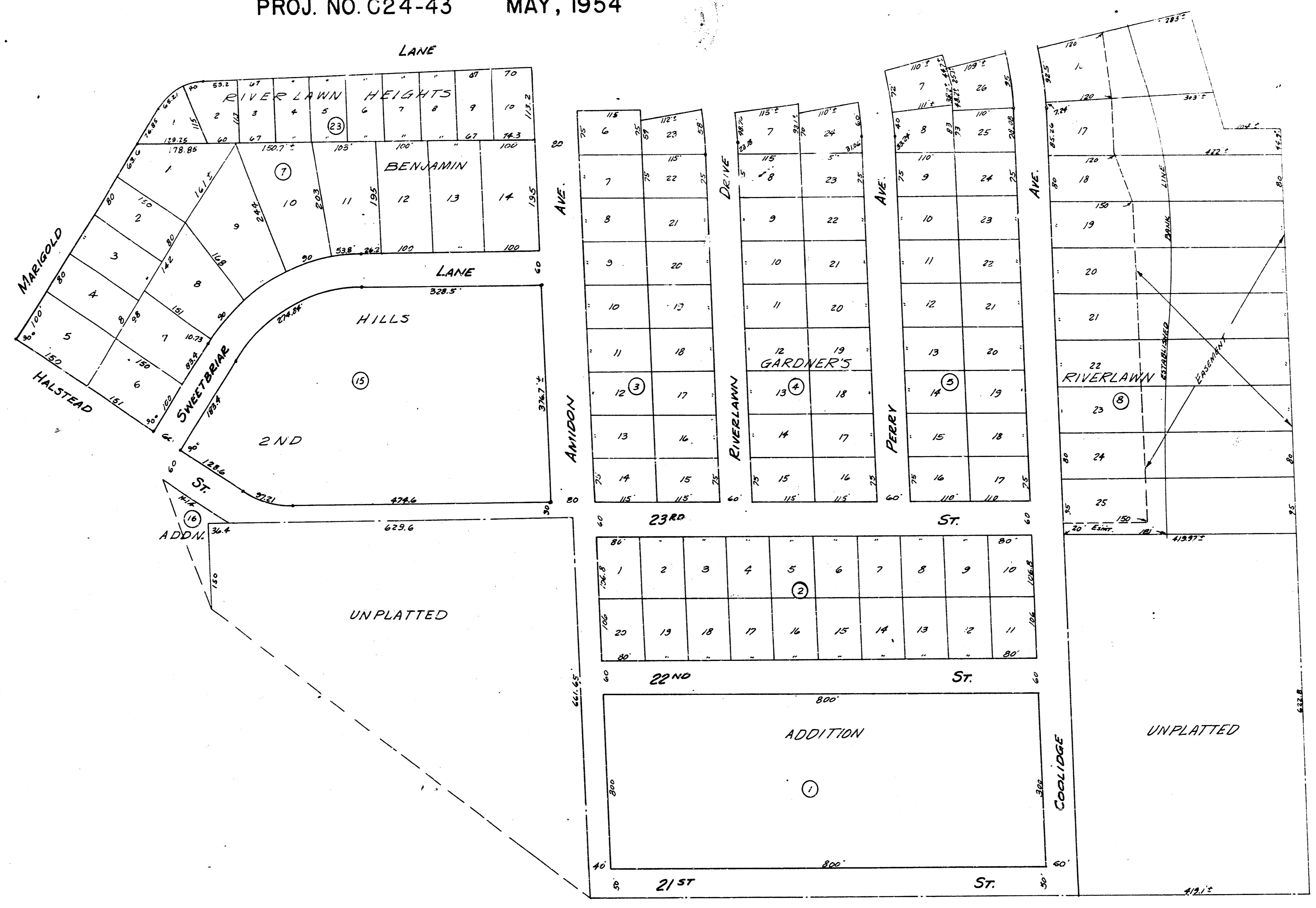
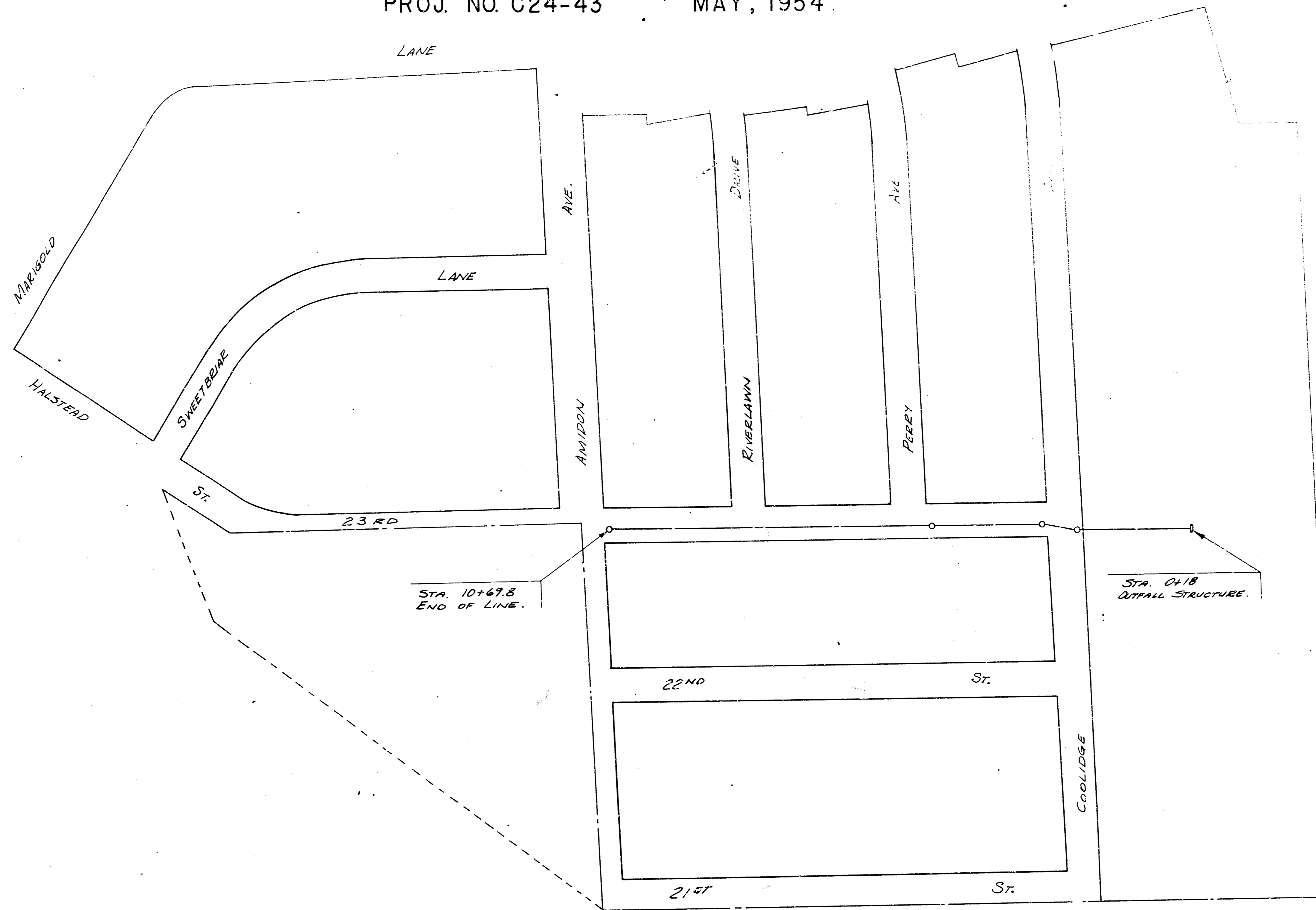
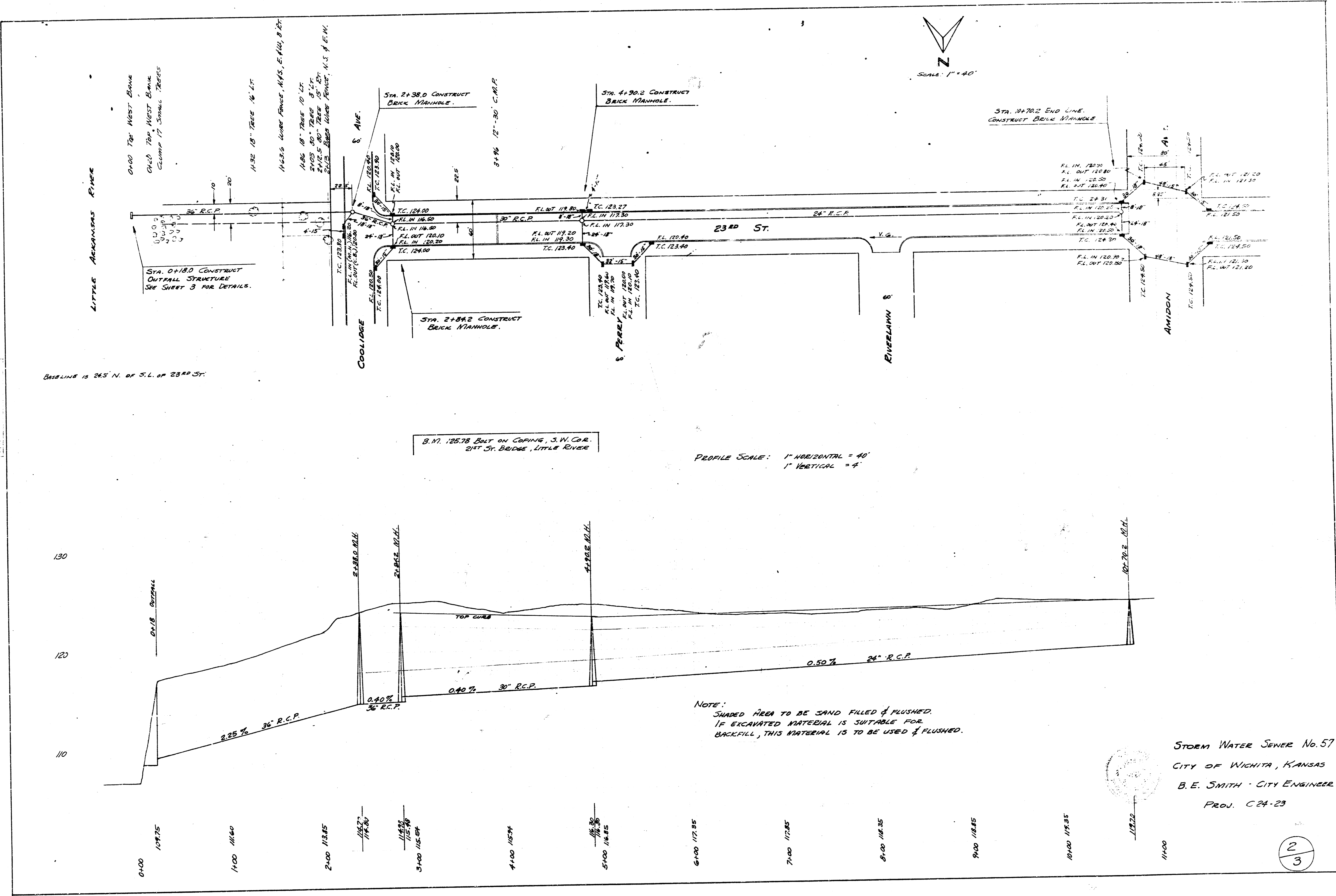


BENEFIT DISTRICT
 STORM WATER SEWER NO. 57
 CITY OF WICHITA, KANSAS
 PROJ. NO. G24-43 MAY, 1954



LOCATION MAP
STORM WATER SEWER NO. 57
CITY OF WICHITA, KANSAS
PROJ. NO. C24-43 MAY, 1954.





ST. 65
LINK
LINE
LINE

BASELINE IS 24.5' N. OF S.L. OF 23RD ST.

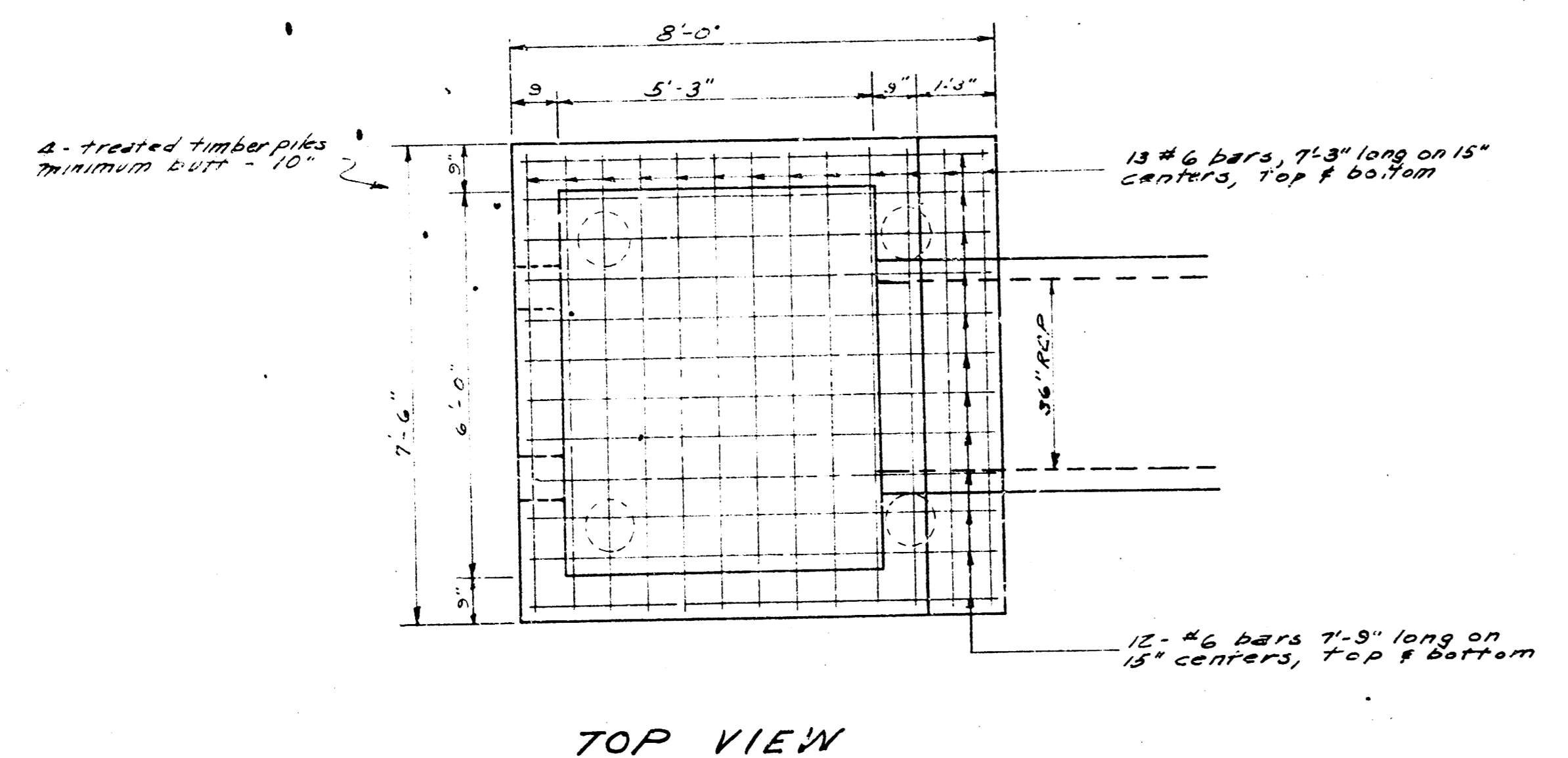
B.M. 12578 BUILT ON CORNER, S.W. COR. 24TH ST. BEHIND, LITTLE RIVER

PROFILE SCALE: 1" HORIZONTAL = 40'
1" VERTICAL = 4'

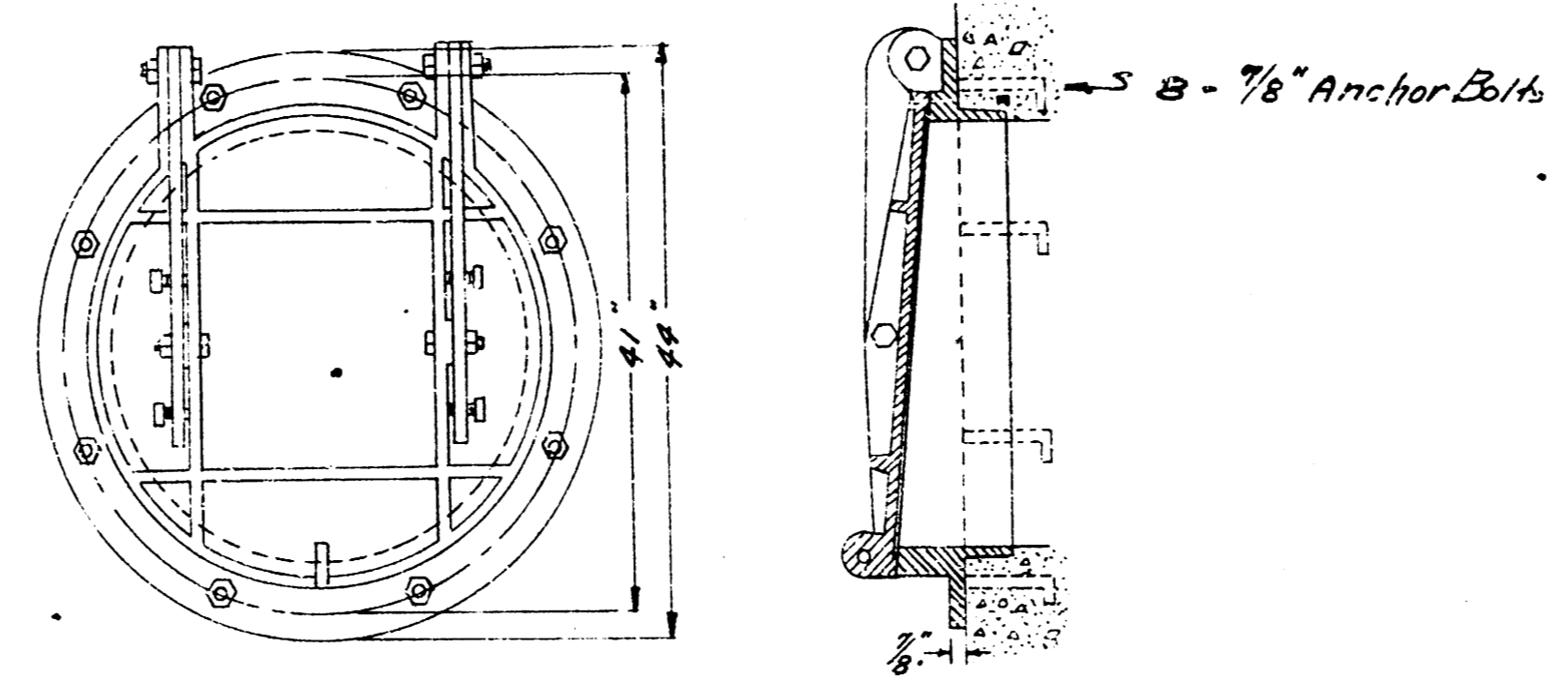
NOTE:
SHADED AREA TO BE SAND FILLED & FLUSHED.
IF EXCAVATED MATERIAL IS SUITABLE FOR
BACKFILL, THIS MATERIAL IS TO BE USED & FLUSHED.

STORM WATER SEWER No. 57
CITY OF WICHITA, KANSAS
B. E. SMITH - CITY ENGINEER
PROJ. C24-23

2
3

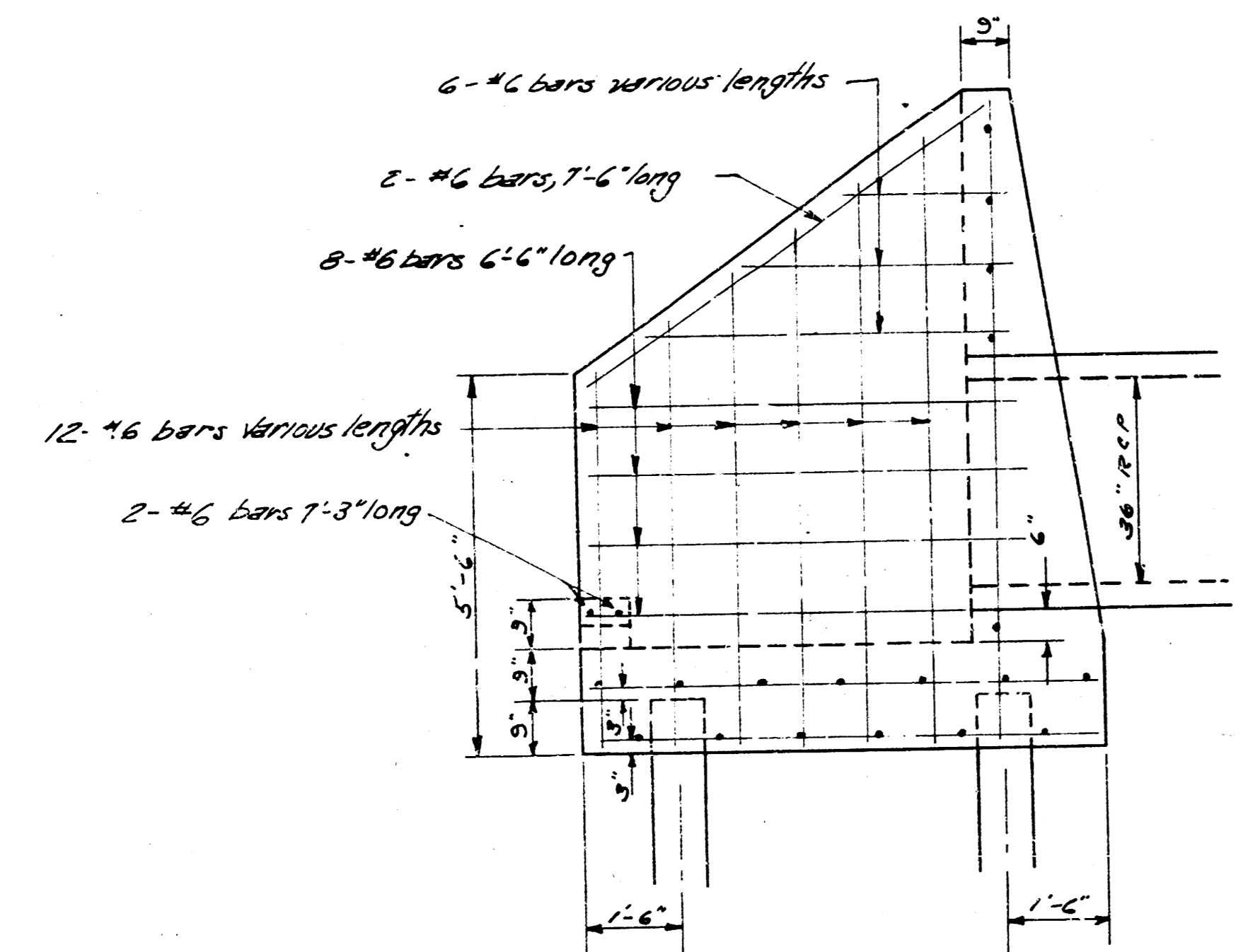


TOP VIEW

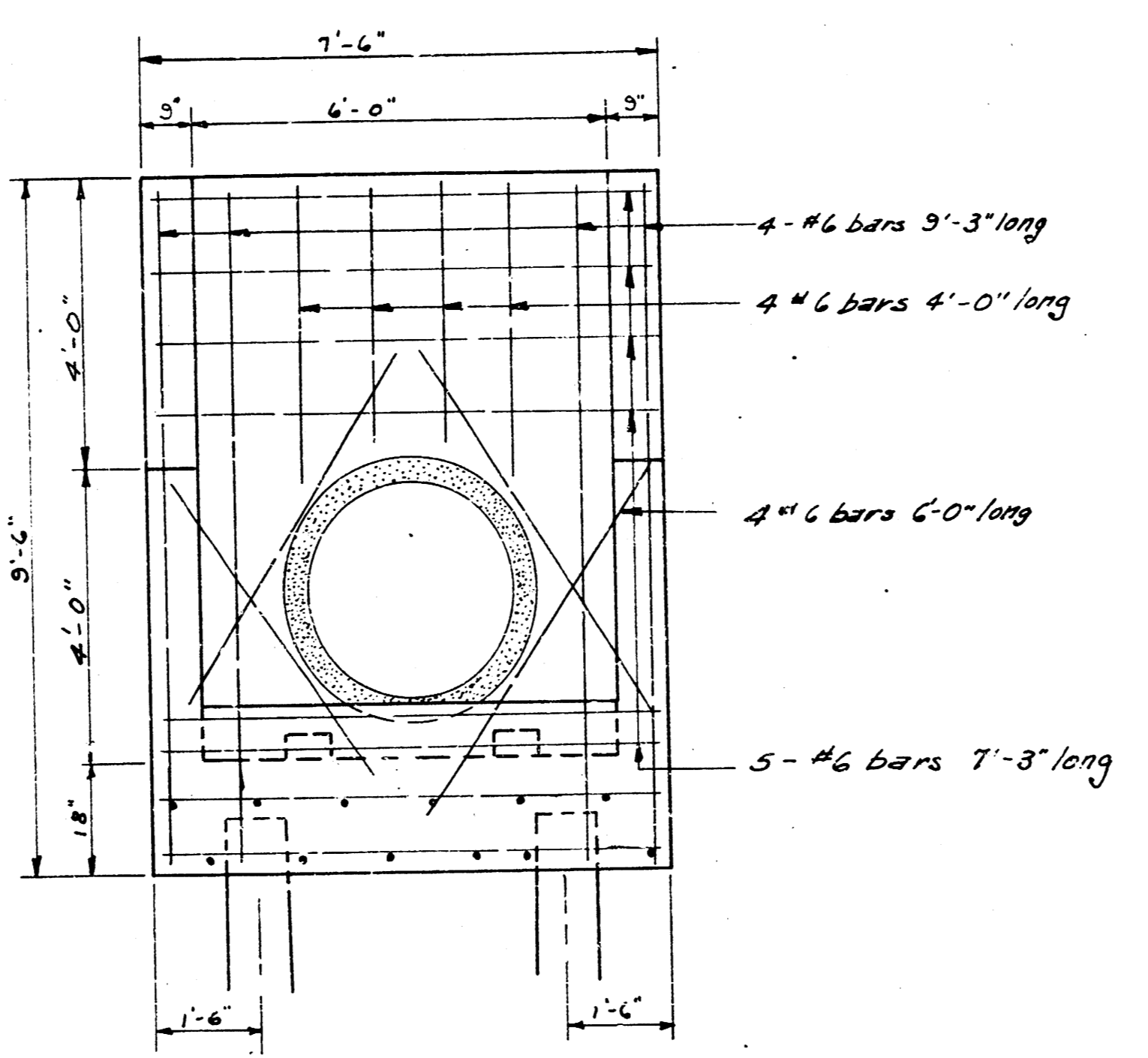


PEKRUL MODEL 16 AUTOMATIC FLAPGATE OR AN EQUIVALENT MODEL
No Scale

NOTE
Concrete for structures shall contain not less than 145 barrels of cement per cubic yard. In no event shall the total water content exceed 5.25 gallons per sack. The mixture of fine and coarse aggregate shall be such as will produce a maximum density of the most workable mixture. The floor of the outfall shall be sloped for flow and drainage. An internal vibrator shall be used for placing the concrete.

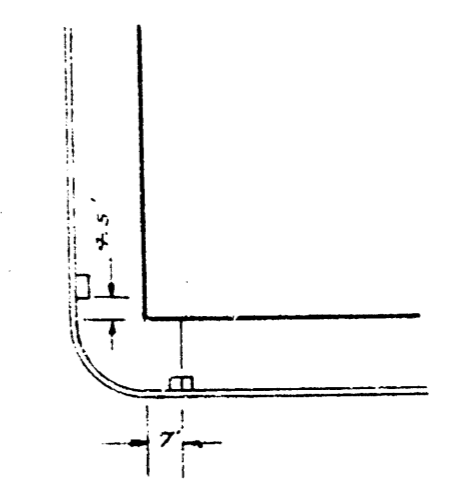


SIDE VIEW



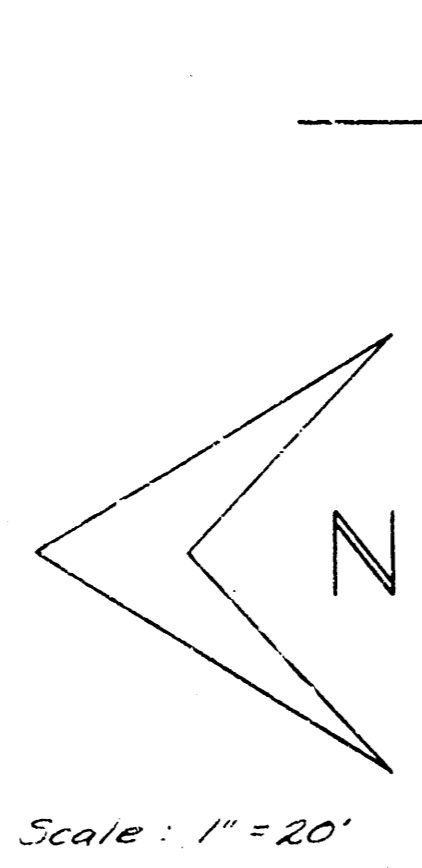
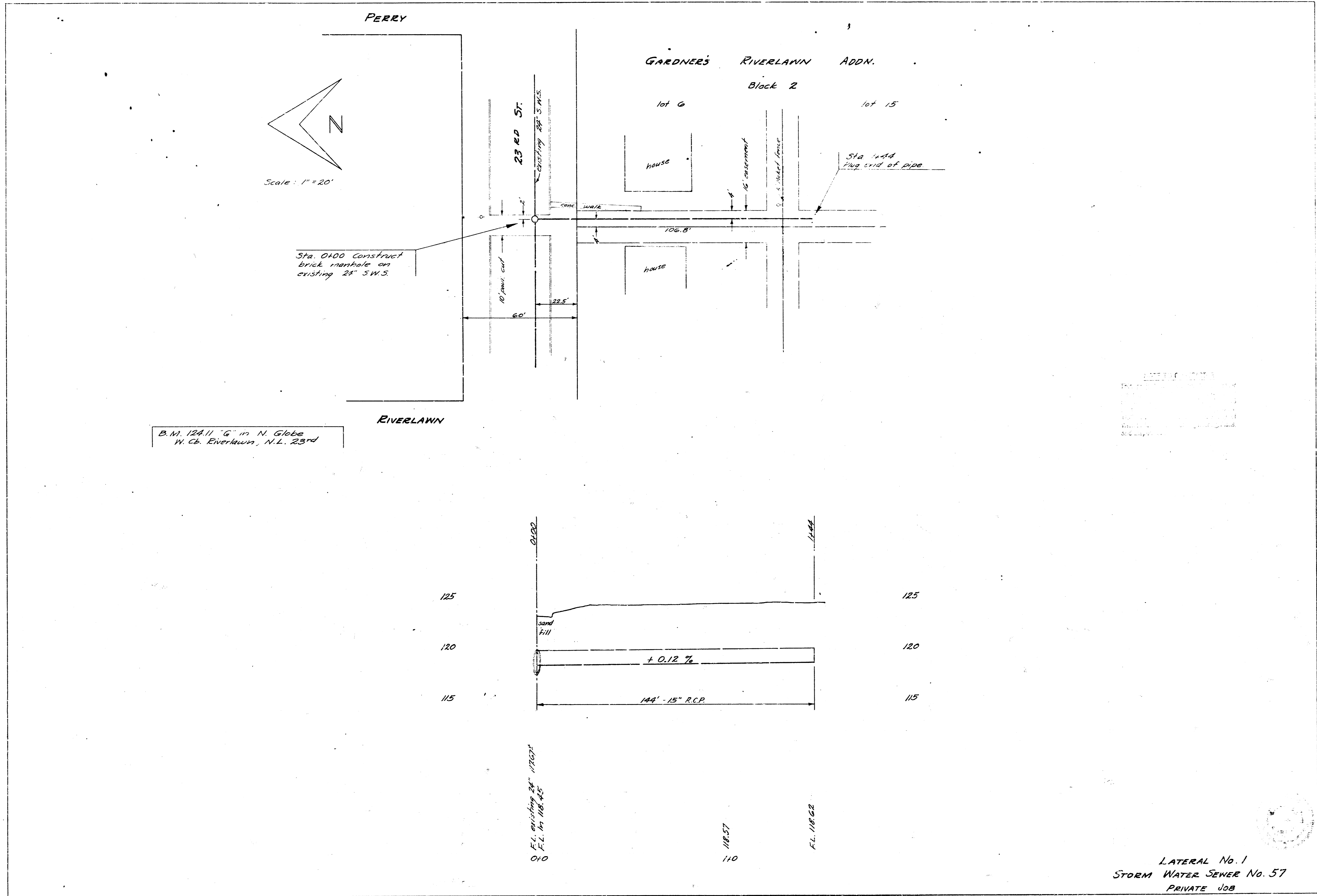
END VIEW

OUTFALL STRUCTURE
Scale 1/8" = 1'-0"



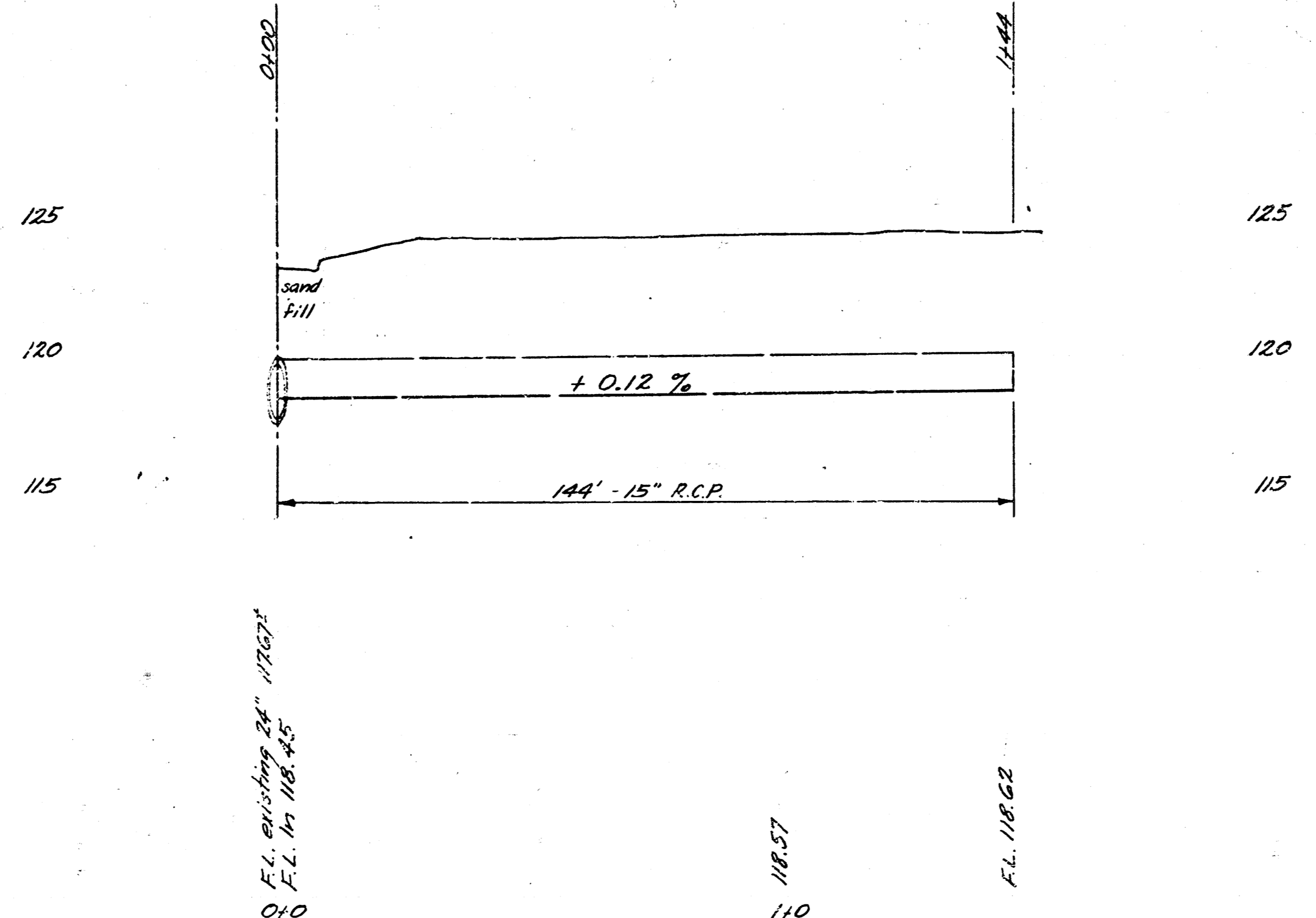
INLET LOCATION
Scale 1" = 4'-0"

STORM WATER SEWER No. 57
CITY OF WICHITA KANSAS
BE SMITH CITY ENGINEER
PROJECT No. C24-43



Sta. 0+00 Construct brick manhole on existing 24" S.W.S.

B.M. 124.11 "G" in N. Globe W. Co. Everlawn, N.L. 23rd



LATERAL No. 1
 STORM WATER SEWER No. 57
 PRIVATE JOB