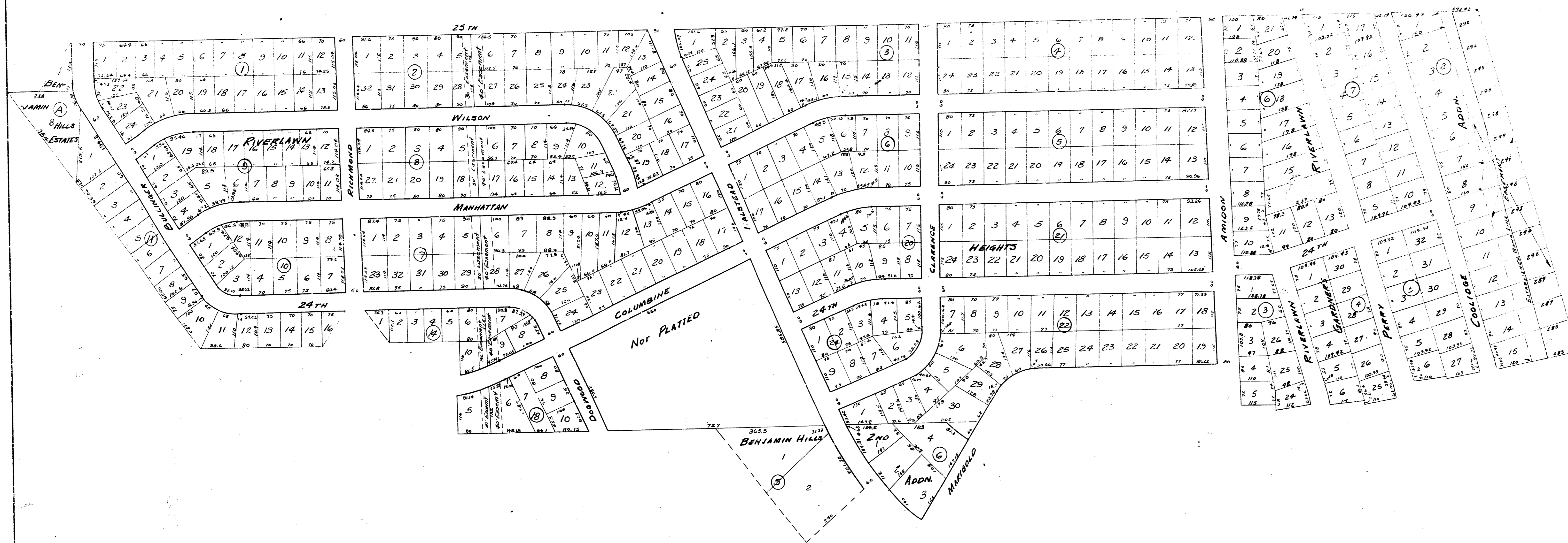


BENEFIT DISTRICT
STORM WATER SEWER NO. 59
CITY OF WICHITA, KANSAS

PROJ. NO. C24-45

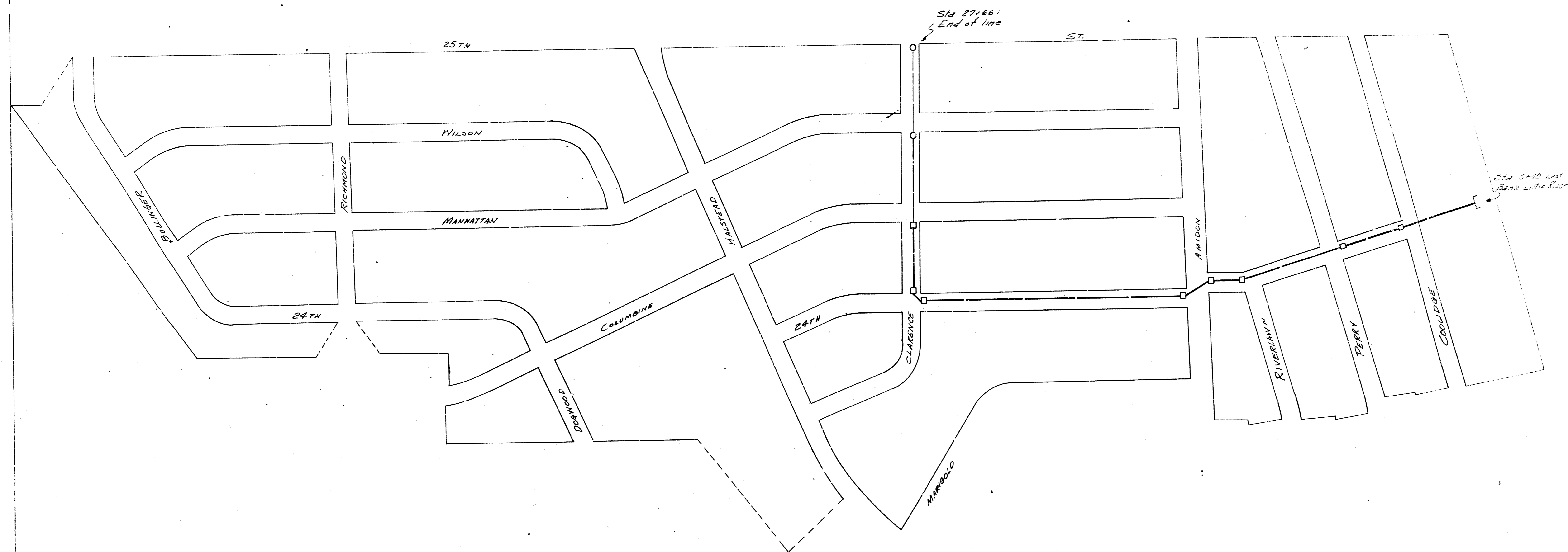
JUNE, 1954



LOCATION MAP
STORM WATER SEWER NO. 59
CITY OF WICHITA, KANSAS

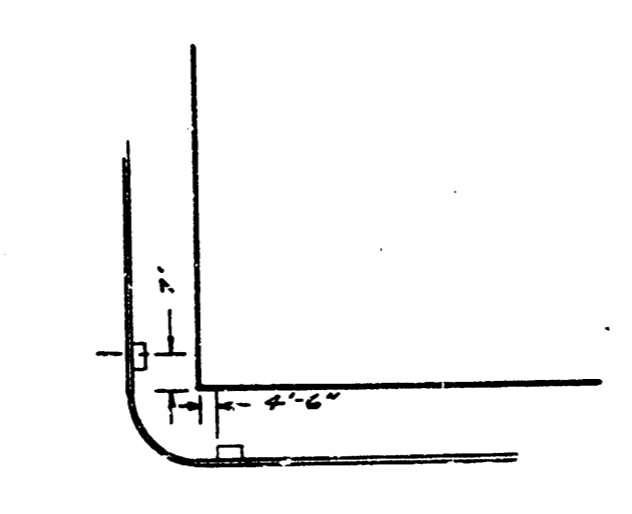
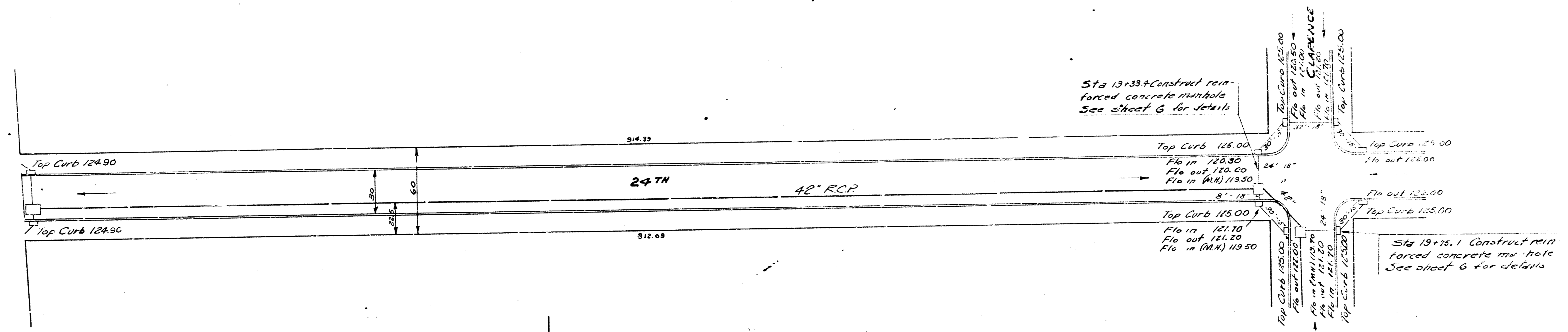
PROJ. NO. C24-45

JUNE 1954



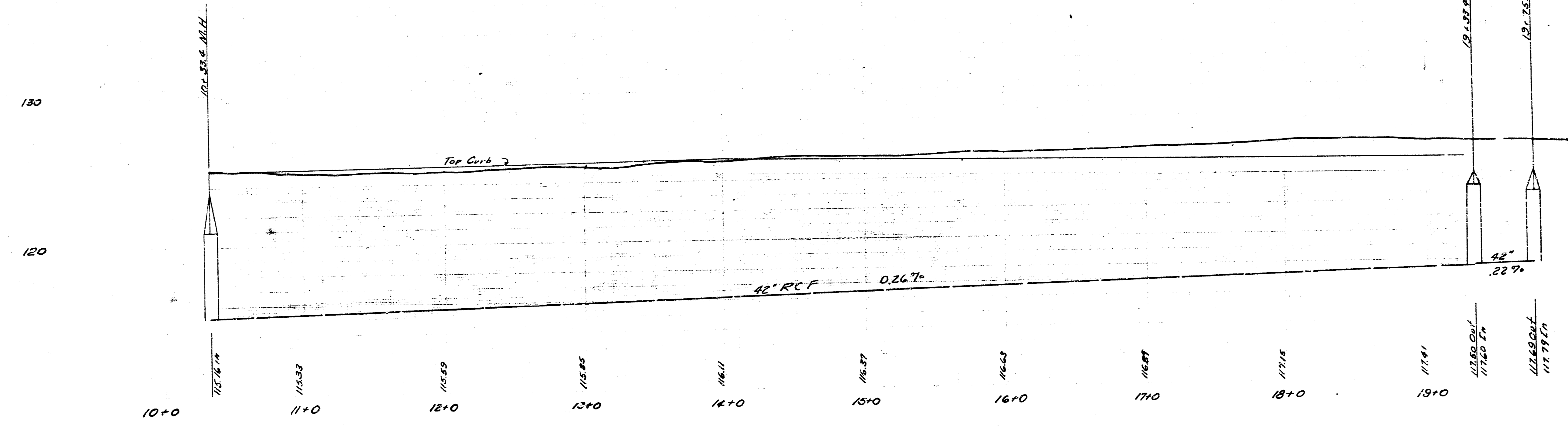
Scale 1" = 40'

AMIPON

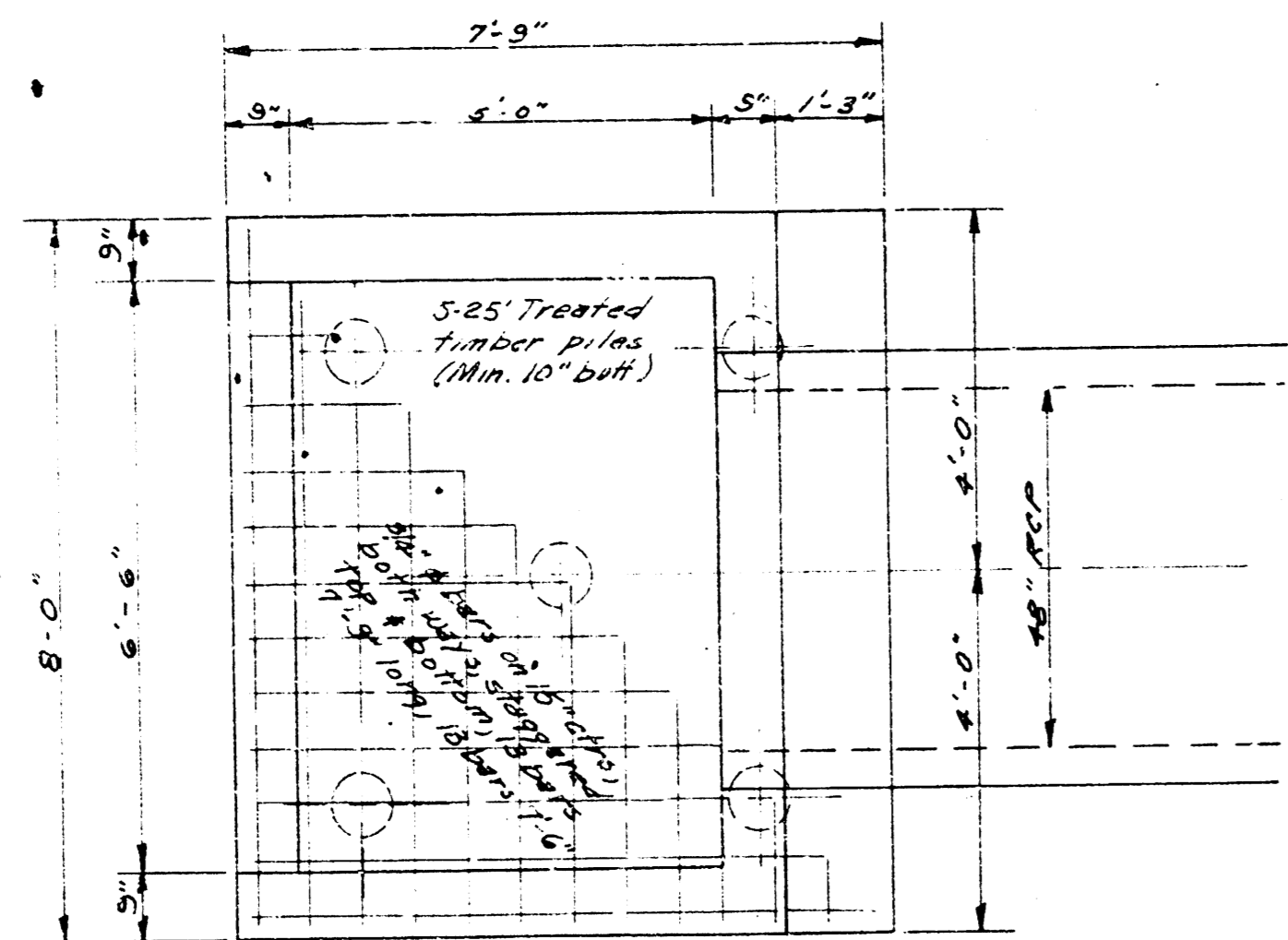


INLET LOCATION DETAIL

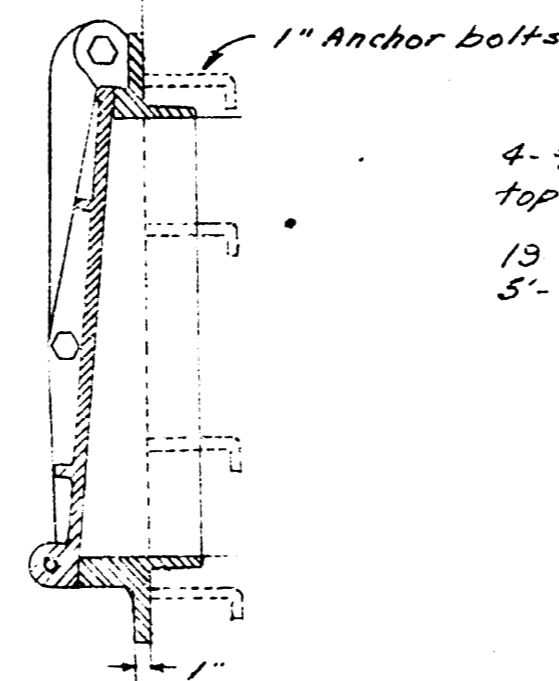
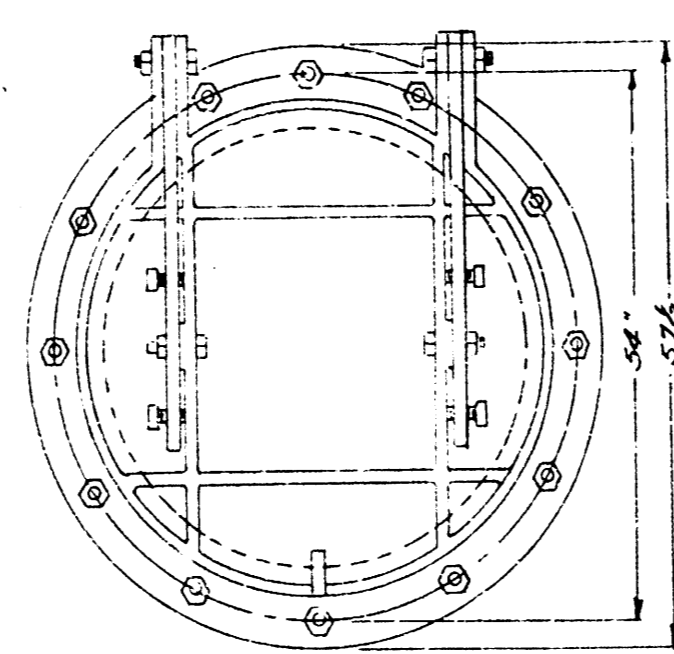
PROFILE SCALE 1" HORIZ. = 40'
1" VERT. = 4'



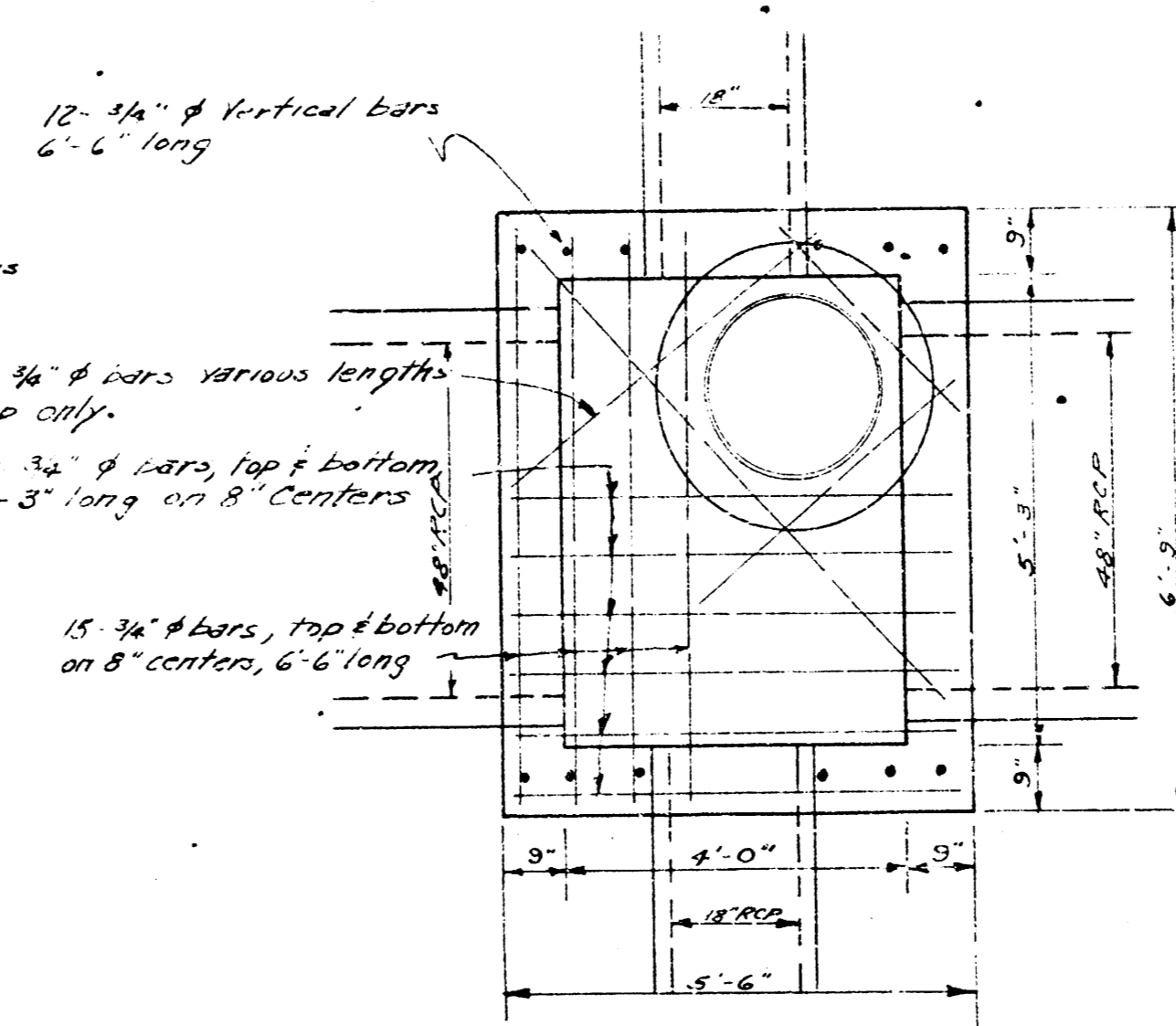
STORM WATER SEWER #59
 CITY OF WICHITA
 B SMITH CITY ENGINEER
 PROJECT NO 624-45



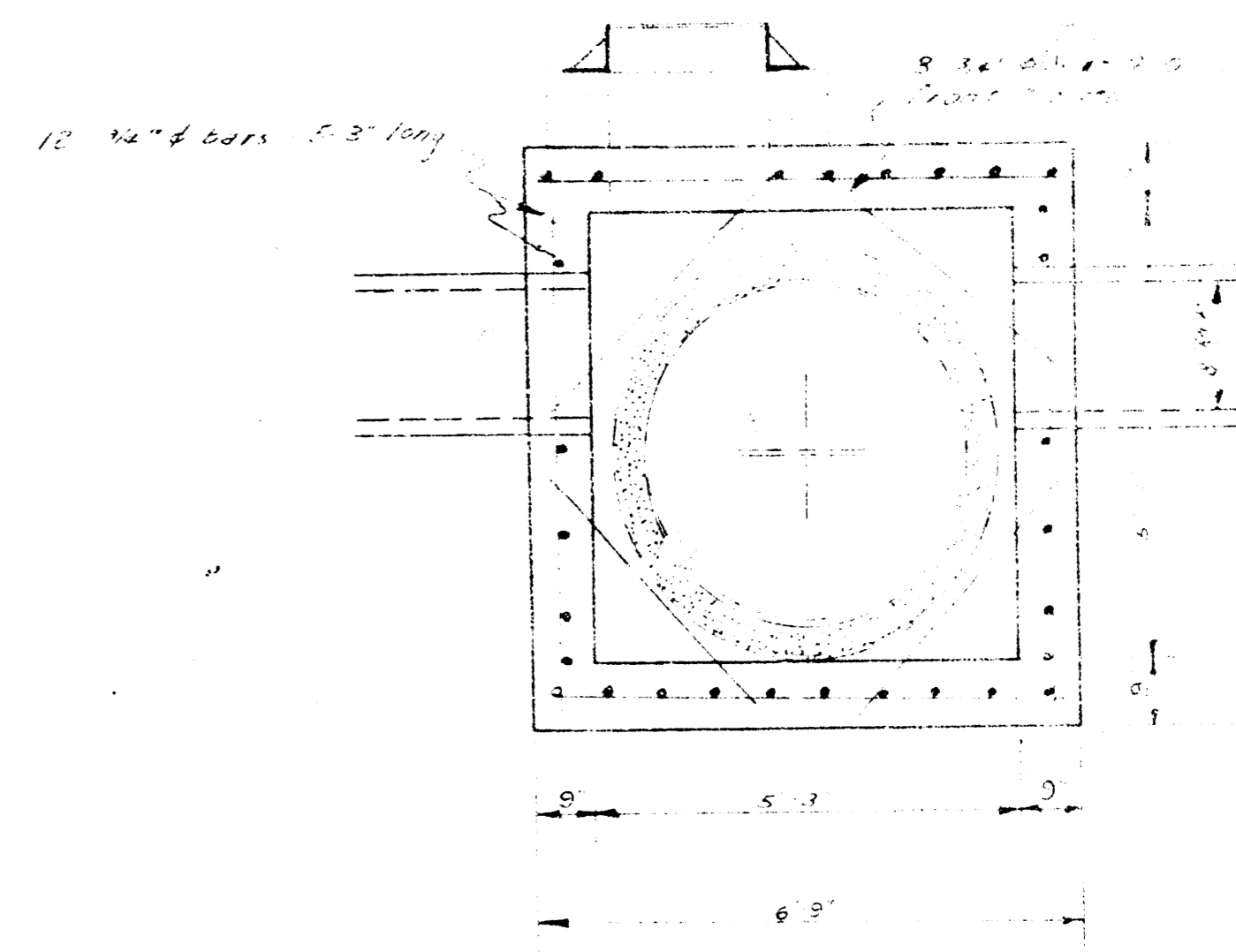
TOP VIEW



PEKRU MODEL 16 SPIGOT BACK AUTOMATIC FLAP GATE OR AN EQUIVALENT MODEL

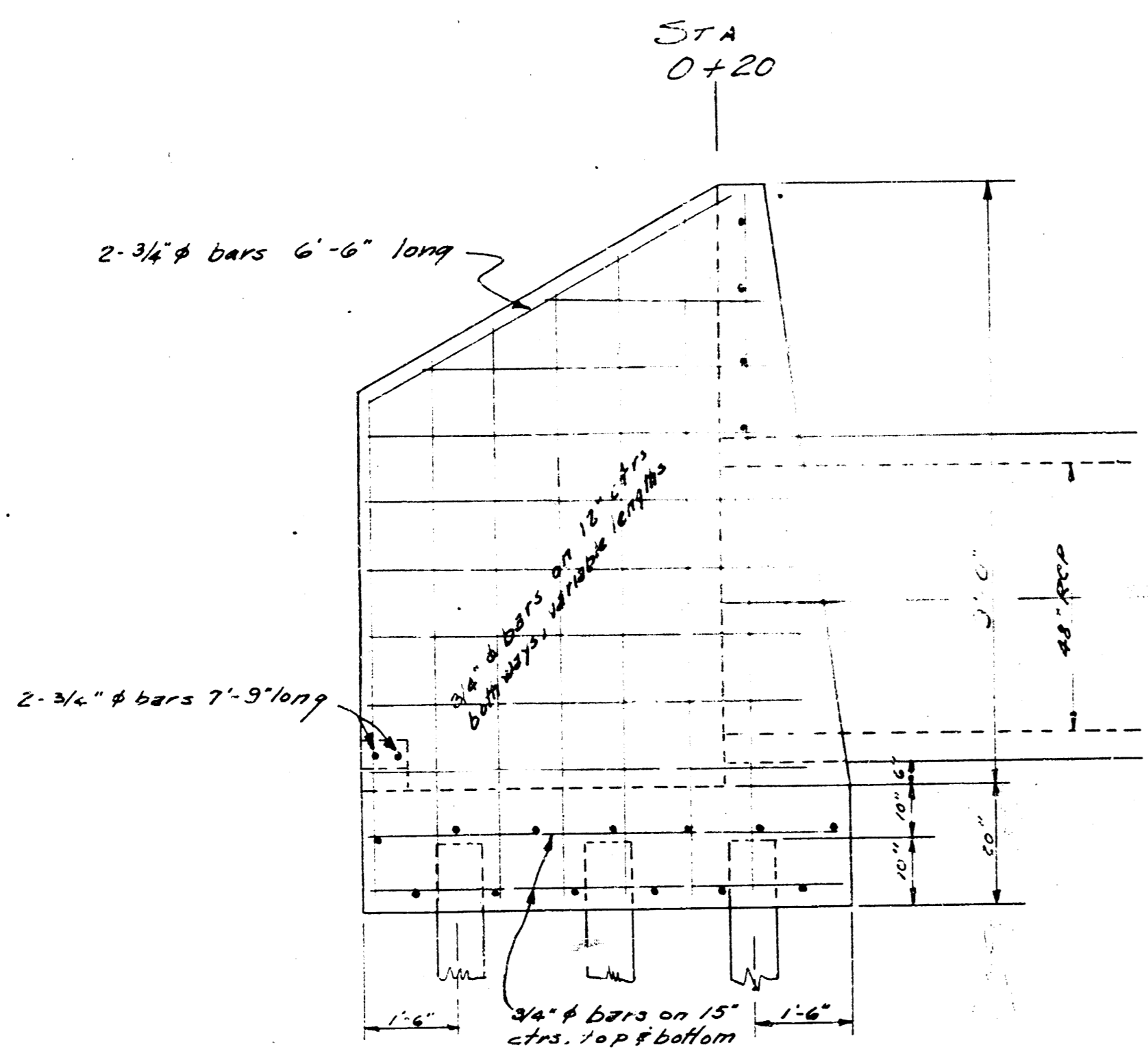


TOP VIEW

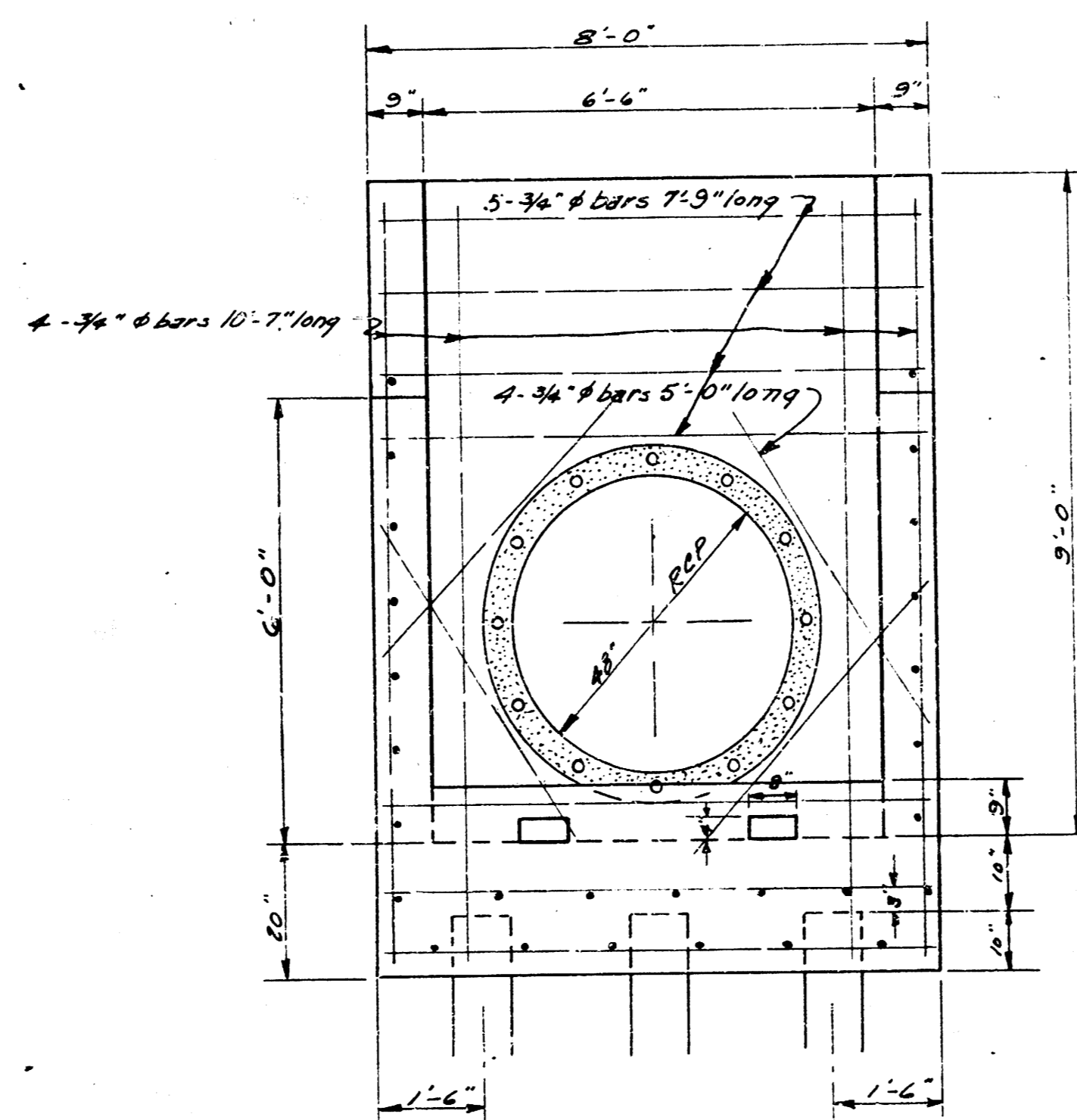


END VIEW

REINFORCED CONCRETE MANHOLE AT STATION 2711.4
Scale: 1/2" = 1'-0"

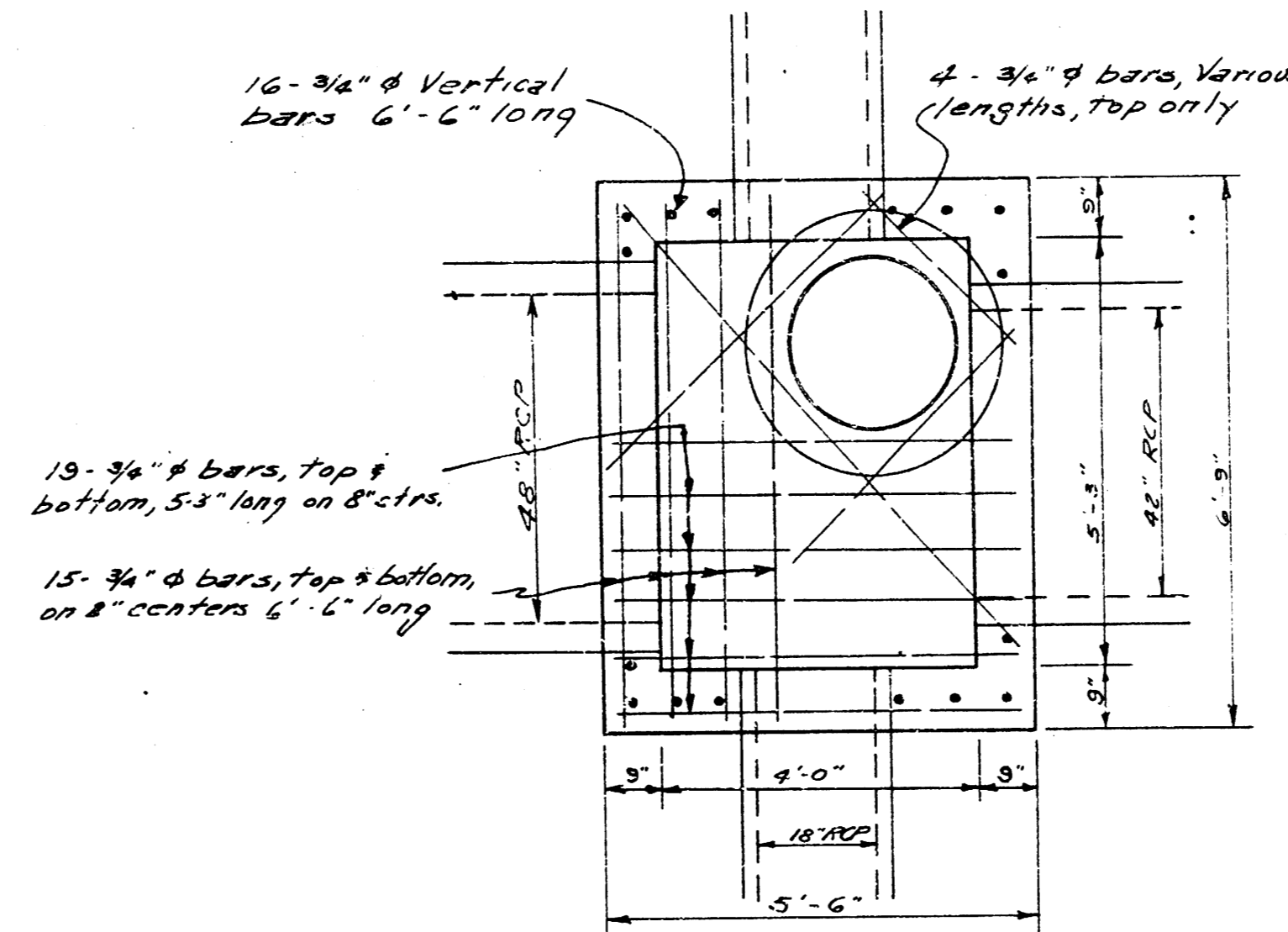


SIDE VIEW

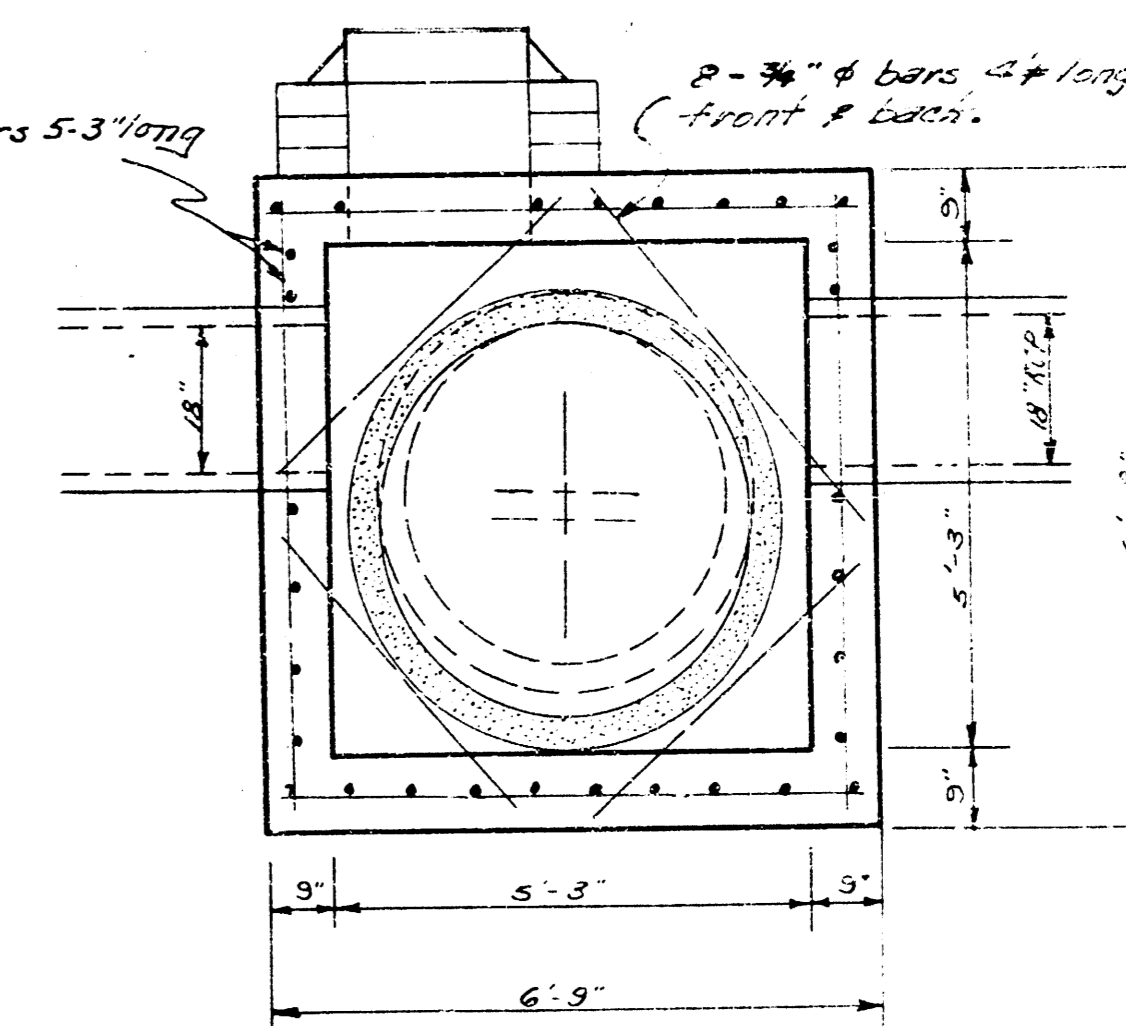


END VIEW

OUTFALL STRUCTURE
Scale: 1/2" = 1'-0"



TOP VIEW



END VIEW

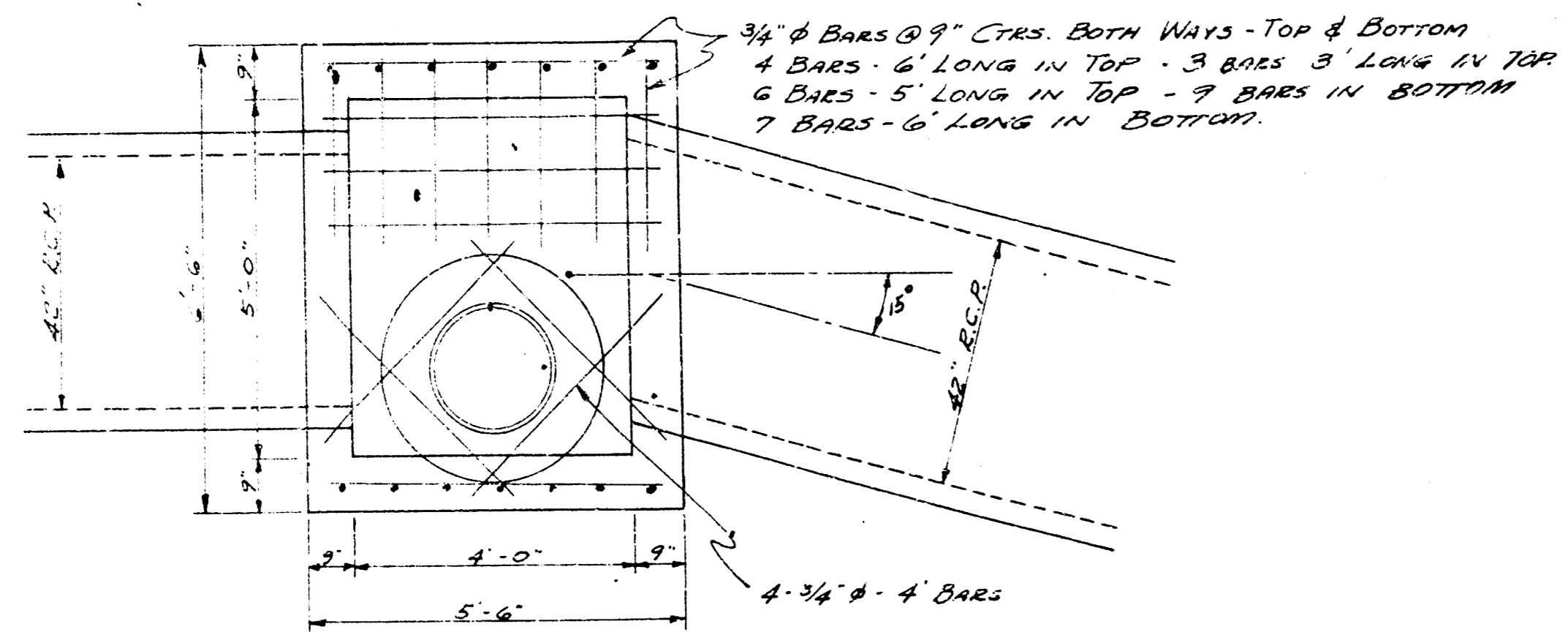
REINFORCED CONCRETE MANHOLE AT STATION 4+77.2
Scale: 1/2" = 1'-0"

GENERAL NOTE

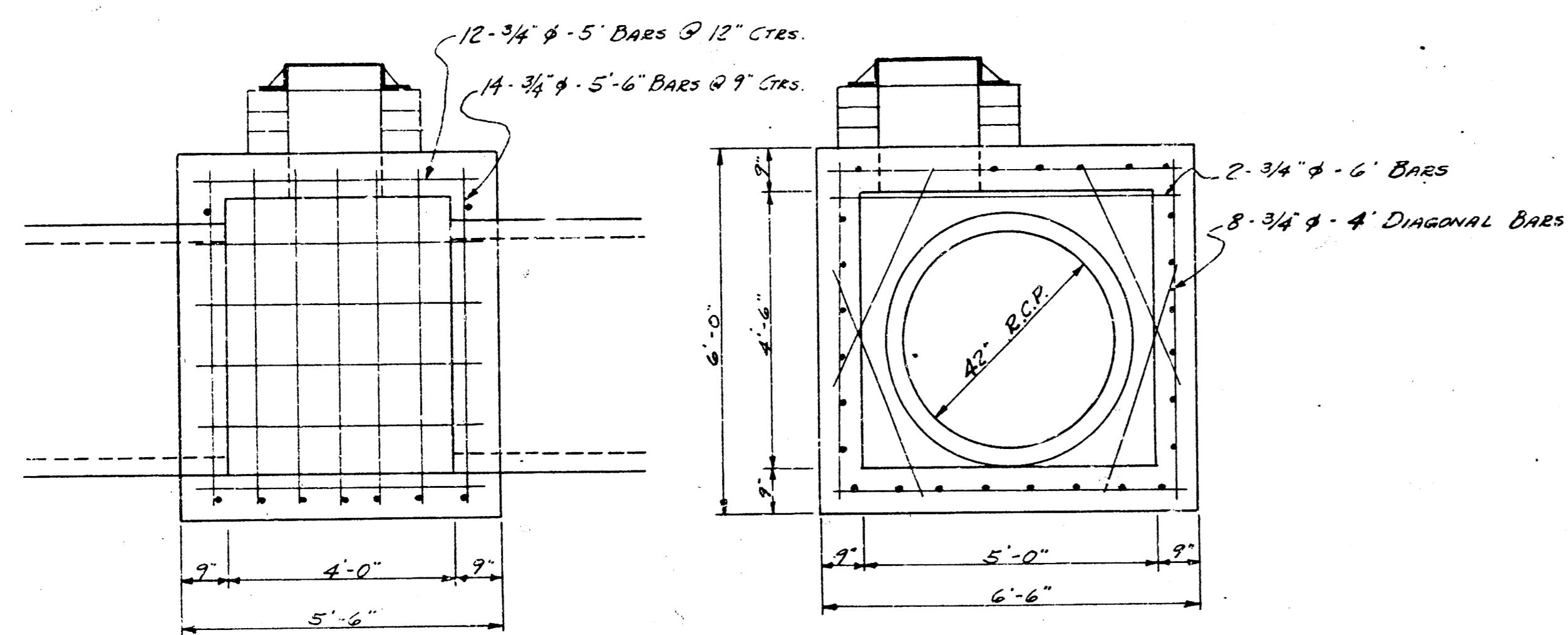
Concrete for structures shall contain not less than 165 barrels of cement per cubic yard. In no event shall the total water content exceed 6.25 gallons per sack. The mixture of fine and coarse aggregate shall be such as will produce a maximum density of the most workable mixture.

In general, pipes will enter and leave the manholes at various elevations. Wherever possible bend reinforcing bars around pipes (18" diameter or less). Where pipes are large use diagonal bars as shown.

The floor of the manhole is to be shaped for flow and drainage. No deduction in concrete quantities shall be made for pipe openings. No addition in concrete quantities shall be made for shaping manhole floors. An internal vibrator shall be used for placing concrete.



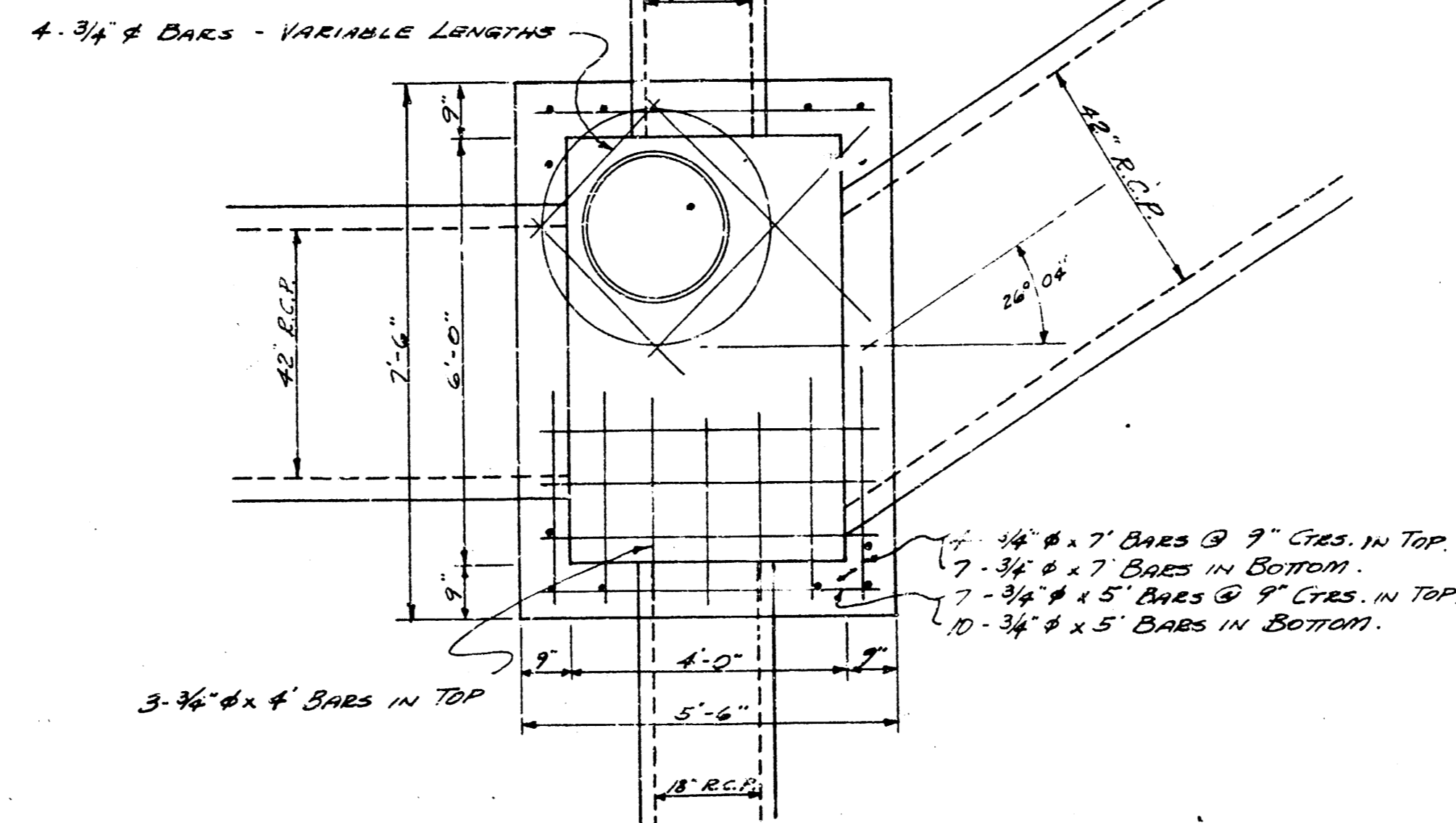
PLAN VIEW



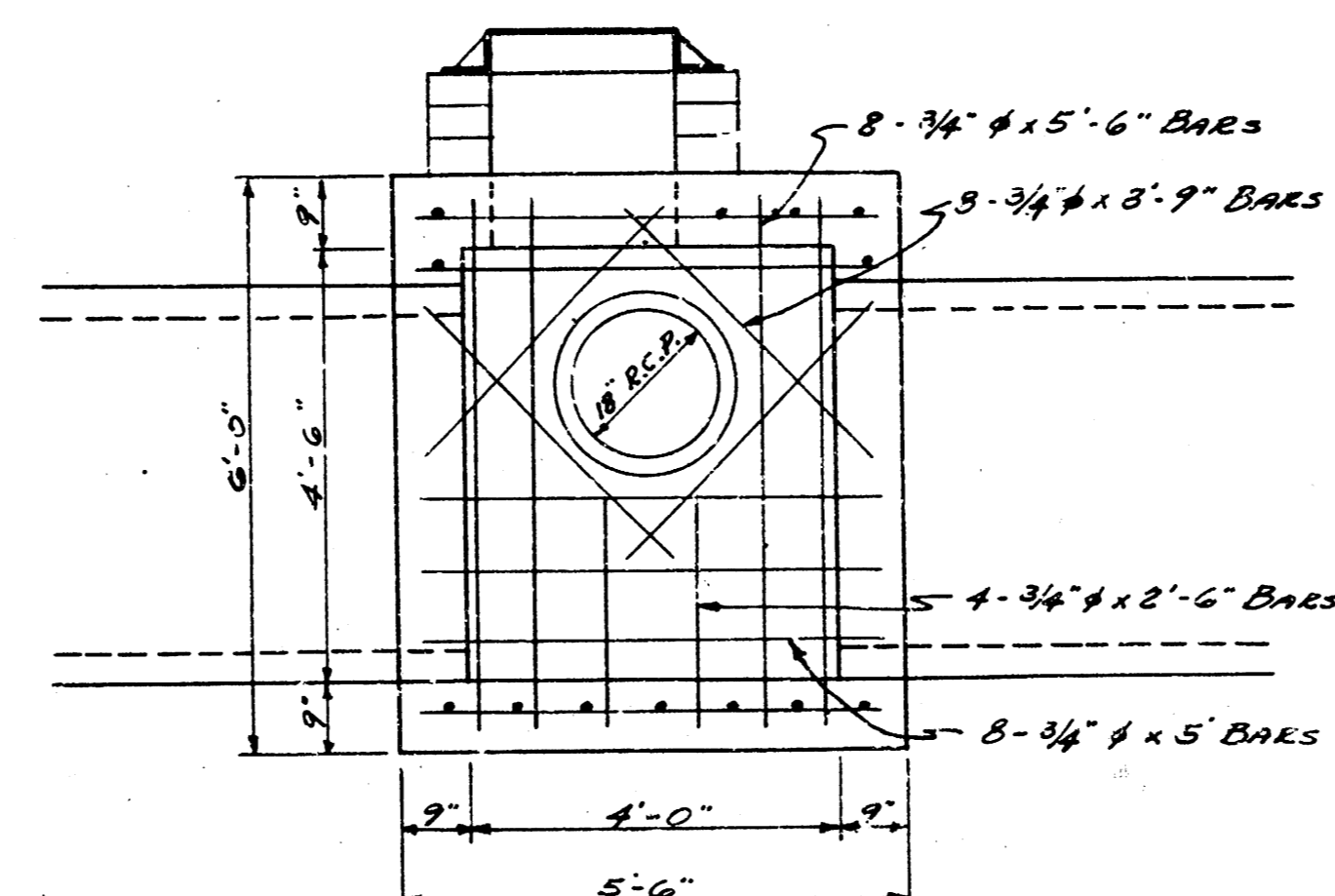
SIDE ELEVATION

END ELEVATION

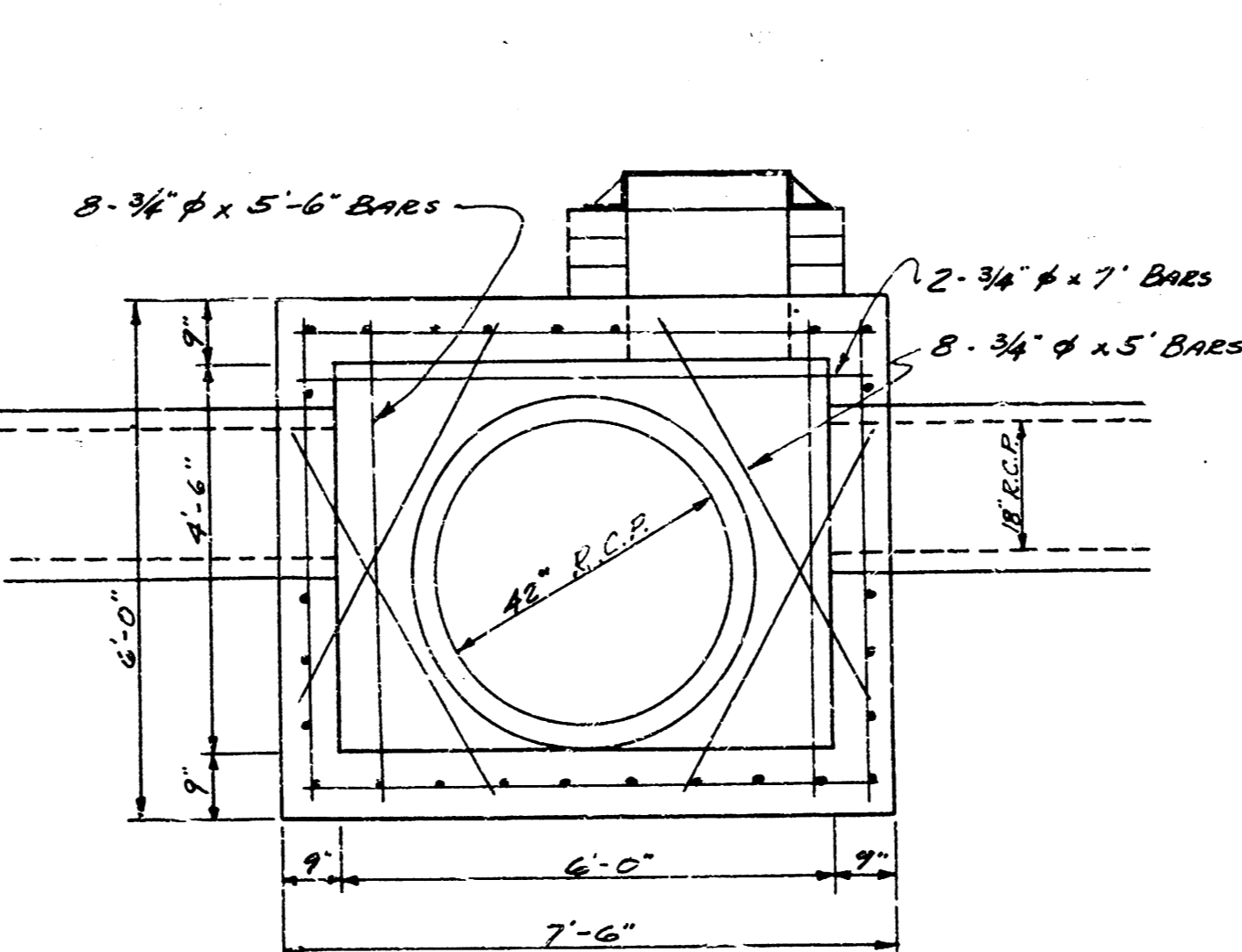
REINF. CONC. MANHOLE @ STA. 8+19.1
SCALE: 1/2" = 1'-0"



PLAN VIEW

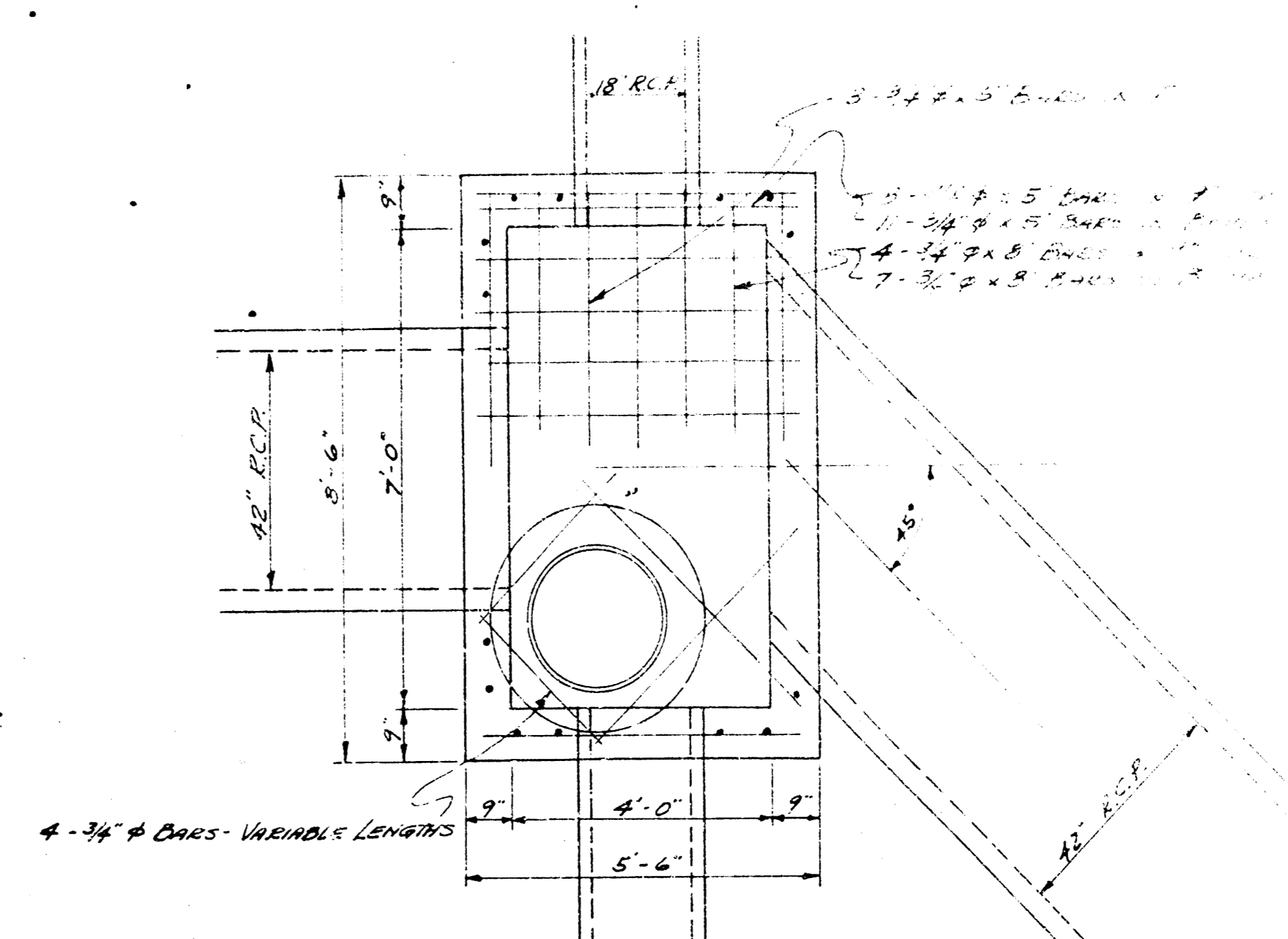


SIDE ELEVATION

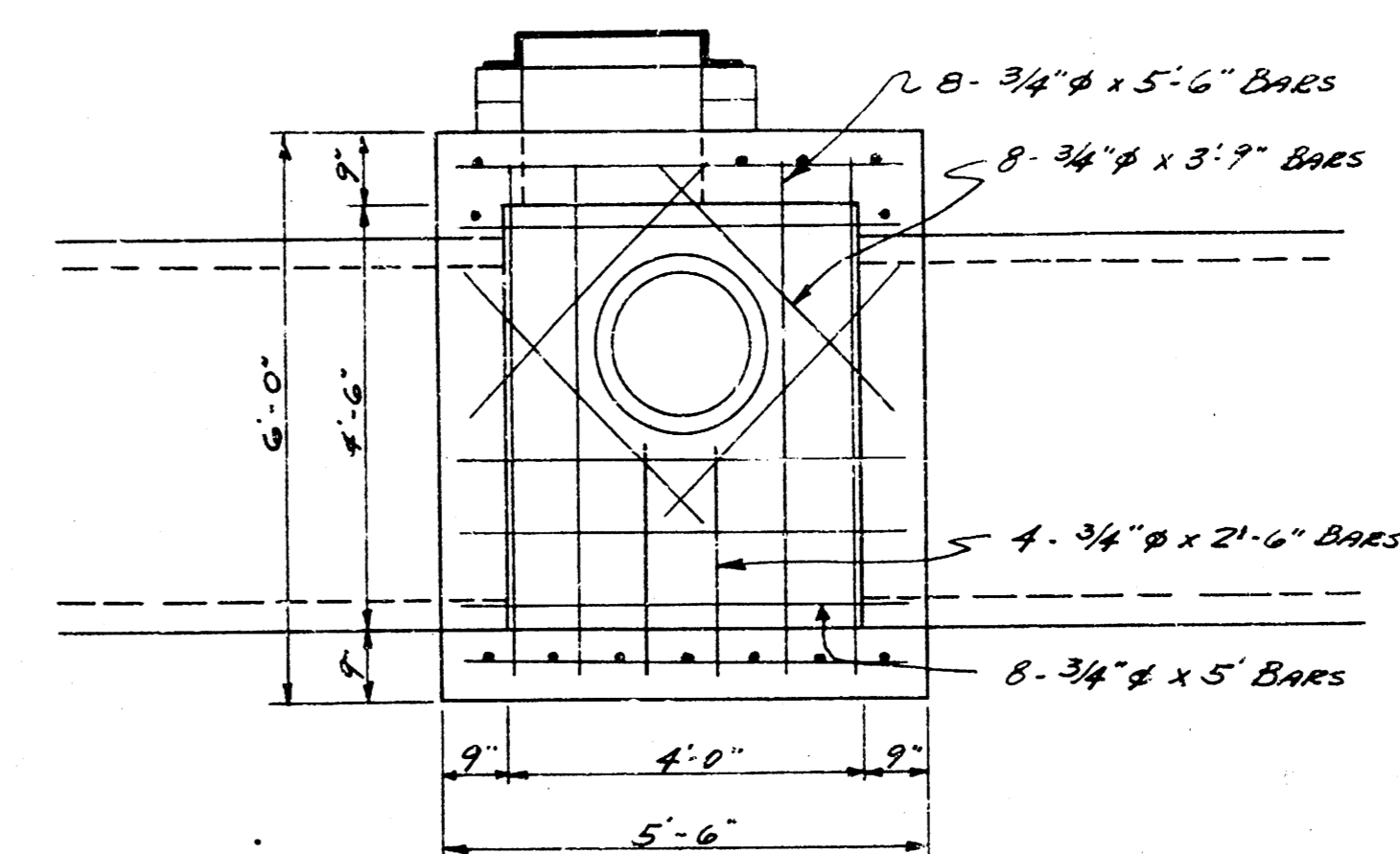


END ELEVATION

REINF. CONC. MANHOLE - STA. 9+26 & 10+33.4
SCALE: 1/2" = 1'-0"

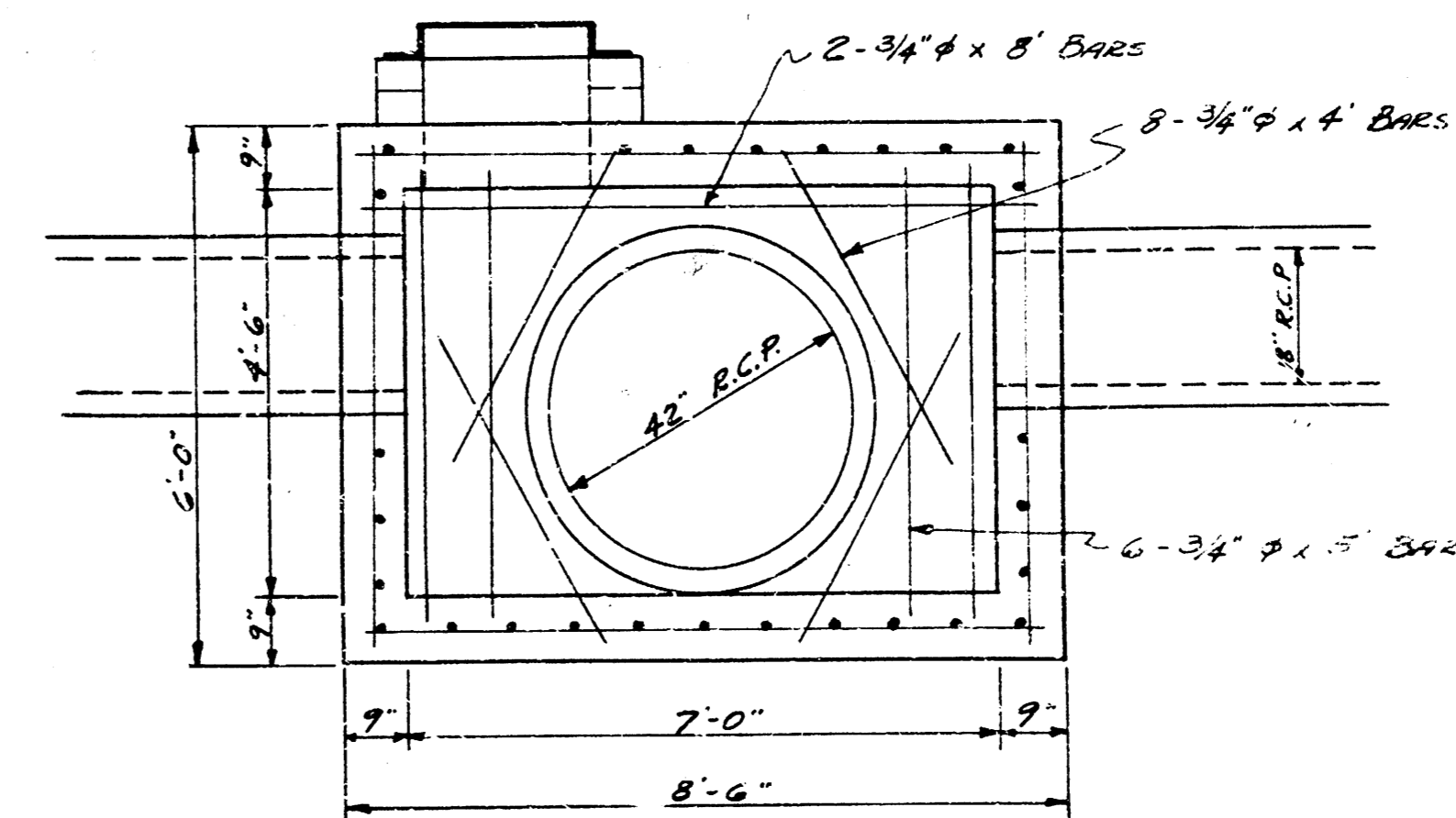


PLAN VIEW



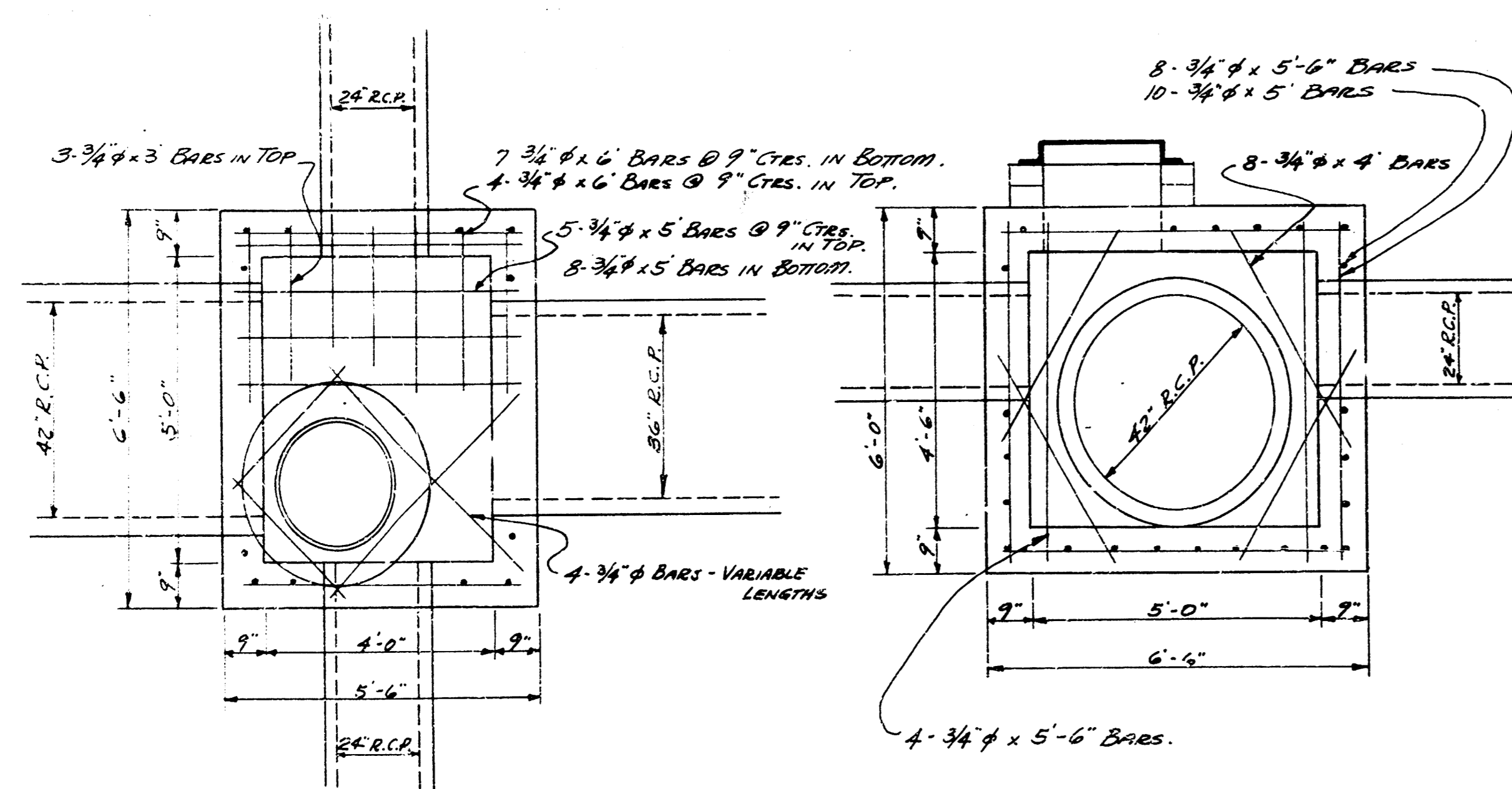
SIDE ELEVATION

NOTE: ONLY ONE 18" LEAD
IN M.H. @ STA. 19+54.8



END ELEVATION

REINF. CONC. MANHOLE - STA. 19+33.4 & 19+75.1
SCALE: 1/2" = 1'-0"



PLAN VIEW

END ELEVATION

REINF. CONC. MANHOLE - STA. 21+31.1
SCALE: 1/2" = 1'-0"