

LAT. 21, S. S. NO. 23  
 AND  
 STORM WATER SEWER NO. 81  
 CITY OF WICHITA, KANSAS  
 B. E. SMITH CITY ENGINEER  
 SEPT. 1967 PROJECT NO. C27-20

Sta. 0100.0  
 Existing M.H.

B. M. 120.56 "G" in Globe S. and Radius S. E. Dist. of Cleveland.

Plan Scale 1" = 40'  
 Profile Scale 1" = 4' VERT.

NOTE TO CONTRACTOR:  
 Use extreme caution  
 during construction  
 over existing 20"  
 water main.

Sta. 9100.0  
 Const. Reinf.  
 Conc. M. H.  
 over existing 54"  
 San. Sewer.  
 Beg. 8" Reinf.  
 Conc. Encasement.  
 See Sheet No. 2  
 For M. H.  
 Details.

Sta. 1140.0 Const.  
 Std. M. H. Type "B"  
 Beg. Syphon.  
 End 8" Reinf.  
 Conc. Encasement.

Sta. 3100.0 Const.  
 Std. M. H. Type "B"  
 End Syphon.

Sta. 5150.0 Const.  
 Std. M. H. Type "A"

Sta. 7185.0 Const.  
 Std. M. H. Type "A"

Sta. 8168.4 to Sta. 8183.0  
 Const. H. C. Patch.

Sta. 8183.0 to Sta. 9126.6  
 Replace Conc. Pavement.

Sta. 9128.0  
 Remove existing M. H.  
 Const. Std. M. H.  
 Type "A".  
 Intercept existing Pipes  
 North, East and West.  
 Plug pipe South.

109.10 Fl. out 15" V.C.P.  
 112.43 Fl. in 15" V.C.P.  
 140 lin. ft. of Sand fill  
 or Flushing.  
 140 lin. ft. of 8" Reinf.  
 Conc. Encasement.  
 140 lin. ft. of 15" V.C.P.  
 at 0.35% grade.

112.92 Fl. out 15" V.C.P.  
 113.23 Fl. in 12" C.I.P.  
 113.10 Fl. in 10" C.I.P.  
 170 lin. ft. of Syphon.  
 See Sheet No. 2 for Details.

115.00 Fl. out 12" C.I.P.  
 115.00 Fl. out 10" C.I.P.  
 115.41 Fl. in 15" V.C.P.  
 618 lin. ft. of 15" V.C.P. @ 0.30% grade.  
 80 lin. ft. of Sand fill or Flushing.

115.68  
 115.92  
 116.13 Fl.  
 116.28

116.58  
 116.92 Fl. out 15"  
 116.98 Fl. in

117.28  
 117.36 Fl. out 15"  
 117.78 Fl. in existing 10"

117.88  
 117.96 Fl. out 15"  
 117.98 Fl. in

118.28  
 118.36 Fl. out 15"  
 118.78 Fl. in existing 10"

119.08  
 119.16 Fl. out 15"  
 119.58 Fl. in existing 10"

119.88  
 119.96 Fl. out 15"  
 120.38 Fl. in existing 10"

120.68  
 120.76 Fl. out 15"  
 121.18 Fl. in existing 10"

121.48  
 121.56 Fl. out 15"  
 121.98 Fl. in existing 10"

122.78  
 122.86 Fl. out 15"  
 123.28 Fl. in existing 10"

Sta. 1140.0 Const.  
 Reinf. Conc. M. H.  
 over existing 54"  
 San. Sewer.  
 Beg. 8" Reinf.  
 Conc. Encasement.  
 See Sheet No. 2  
 For M. H.  
 Details.

Sta. 1140.0 Const.  
 Std. M. H. Type "B"  
 Beg. Syphon.

Sta. 3100.0 Const.  
 Std. M. H. Type "B"  
 End Syphon.

Sta. 5150.0 Const.  
 Std. M. H. Type "A"

Sta. 7185.0 Const.  
 Std. M. H. Type "A"

Sta. 8168.4 to Sta. 8183.0  
 Const. H. C. Patch.

Sta. 8183.0 to Sta. 9126.6  
 Replace Conc. Pavement.

Sta. 9128.0  
 Remove existing M. H.  
 Const. Std. M. H.  
 Type "A".  
 Intercept existing Pipes  
 North, East and West.  
 Plug pipe South.

Sta. 9128.0  
 Remove existing M. H.  
 Const. Std. M. H.  
 Type "A".  
 Intercept existing Pipes  
 North, East and West.  
 Plug pipe South.

Sta. 9128.0  
 Remove existing M. H.  
 Const. Std. M. H.  
 Type "A".  
 Intercept existing Pipes  
 North, East and West.  
 Plug pipe South.

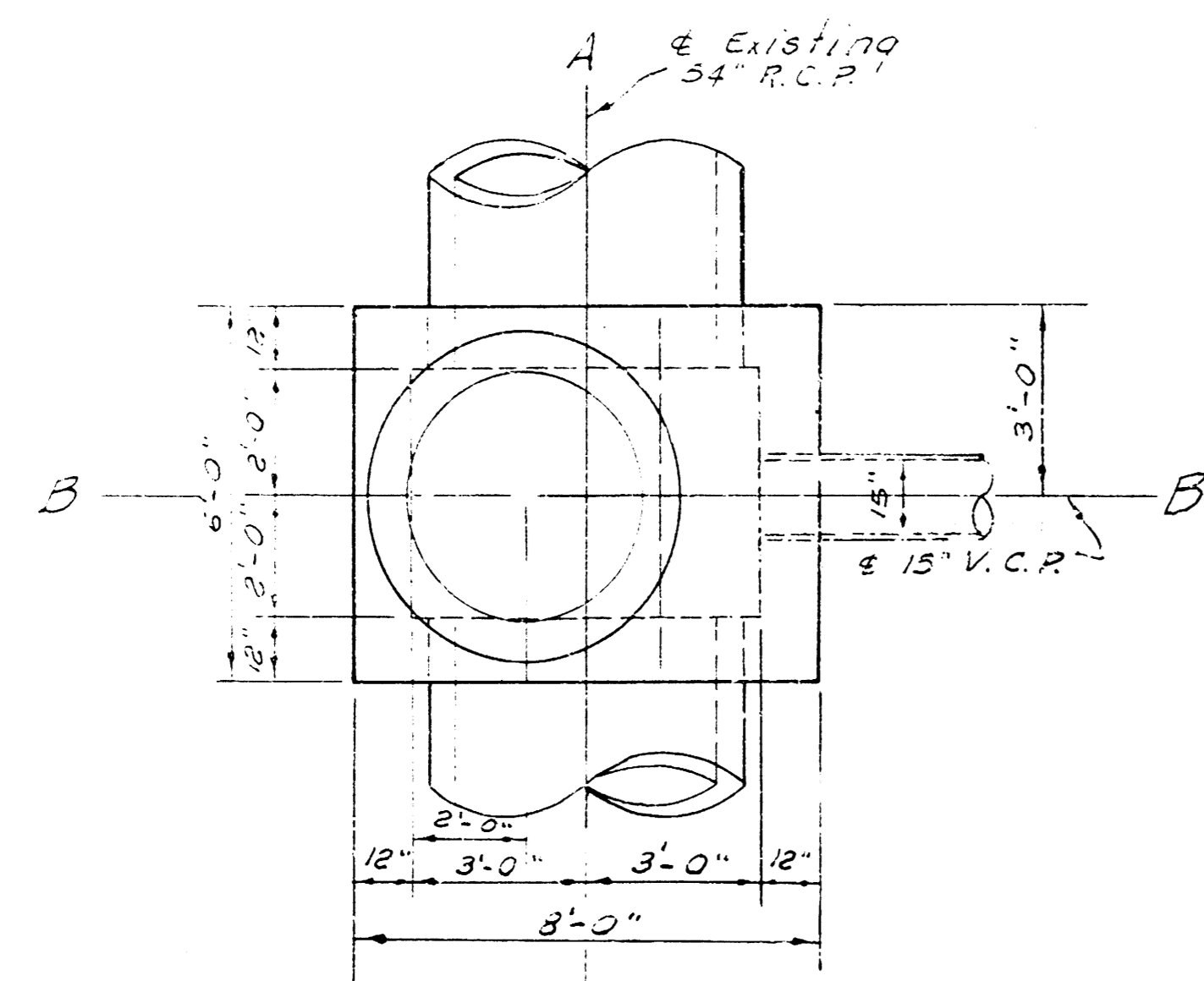
Sta. 9128.0  
 Remove existing M. H.  
 Const. Std. M. H.  
 Type "A".  
 Intercept existing Pipes  
 North, East and West.  
 Plug pipe South.

Sta. 9128.0  
 Remove existing M. H.  
 Const. Std. M. H.  
 Type "A".  
 Intercept existing Pipes  
 North, East and West.  
 Plug pipe South.

Sta. 9128.0  
 Remove existing M. H.  
 Const. Std. M. H.  
 Type "A".  
 Intercept existing Pipes  
 North, East and West.  
 Plug pipe South.

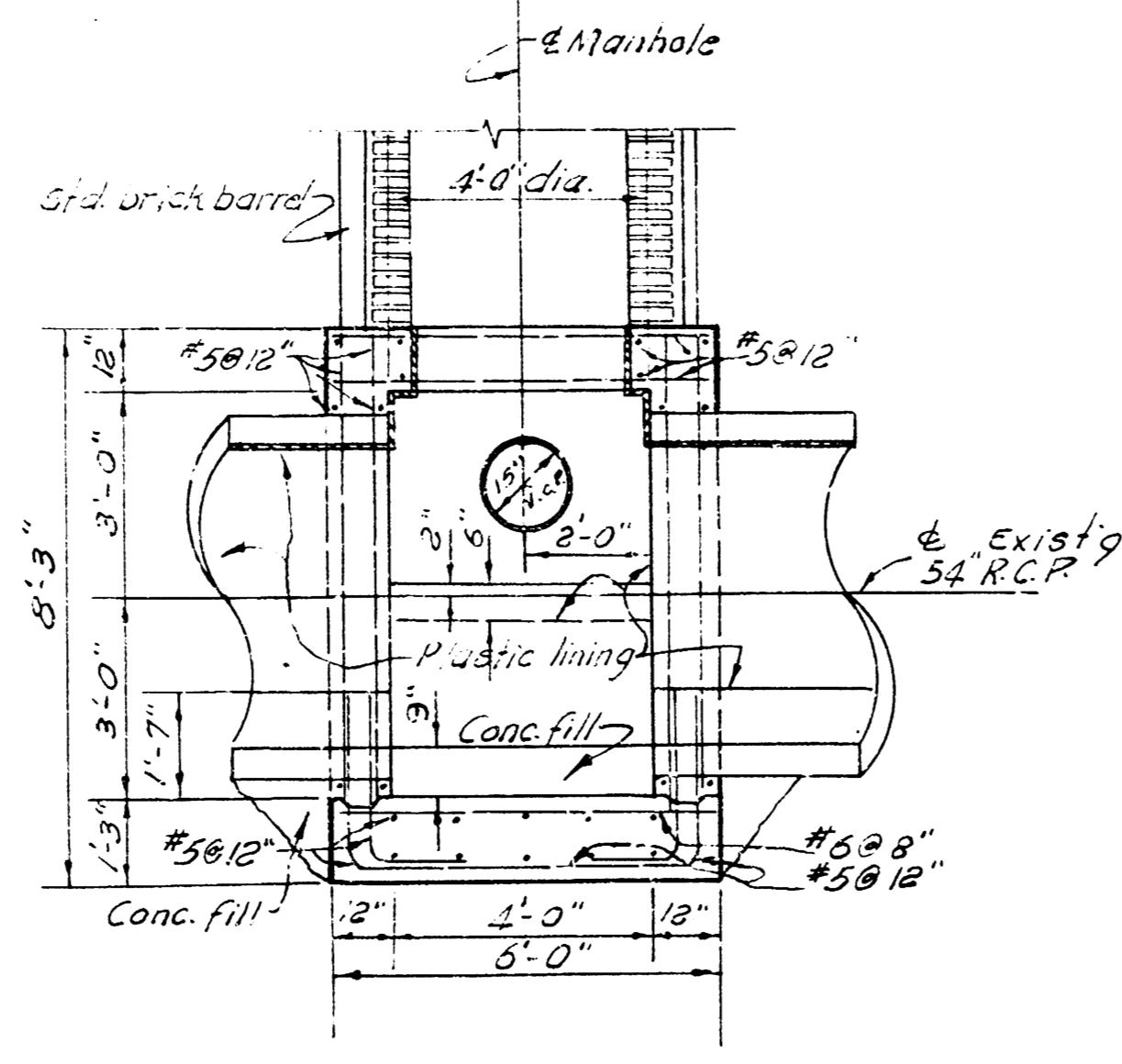
Sta. 9128.0  
 Remove existing M. H.  
 Const. Std. M. H.  
 Type "A".  
 Intercept existing Pipes  
 North, East and West.  
 Plug pipe South.

Sta. 9128.0  
 Remove existing M. H.  
 Const. Std. M. H.  
 Type "A".  
 Intercept existing Pipes  
 North, East and West.  
 Plug pipe South.



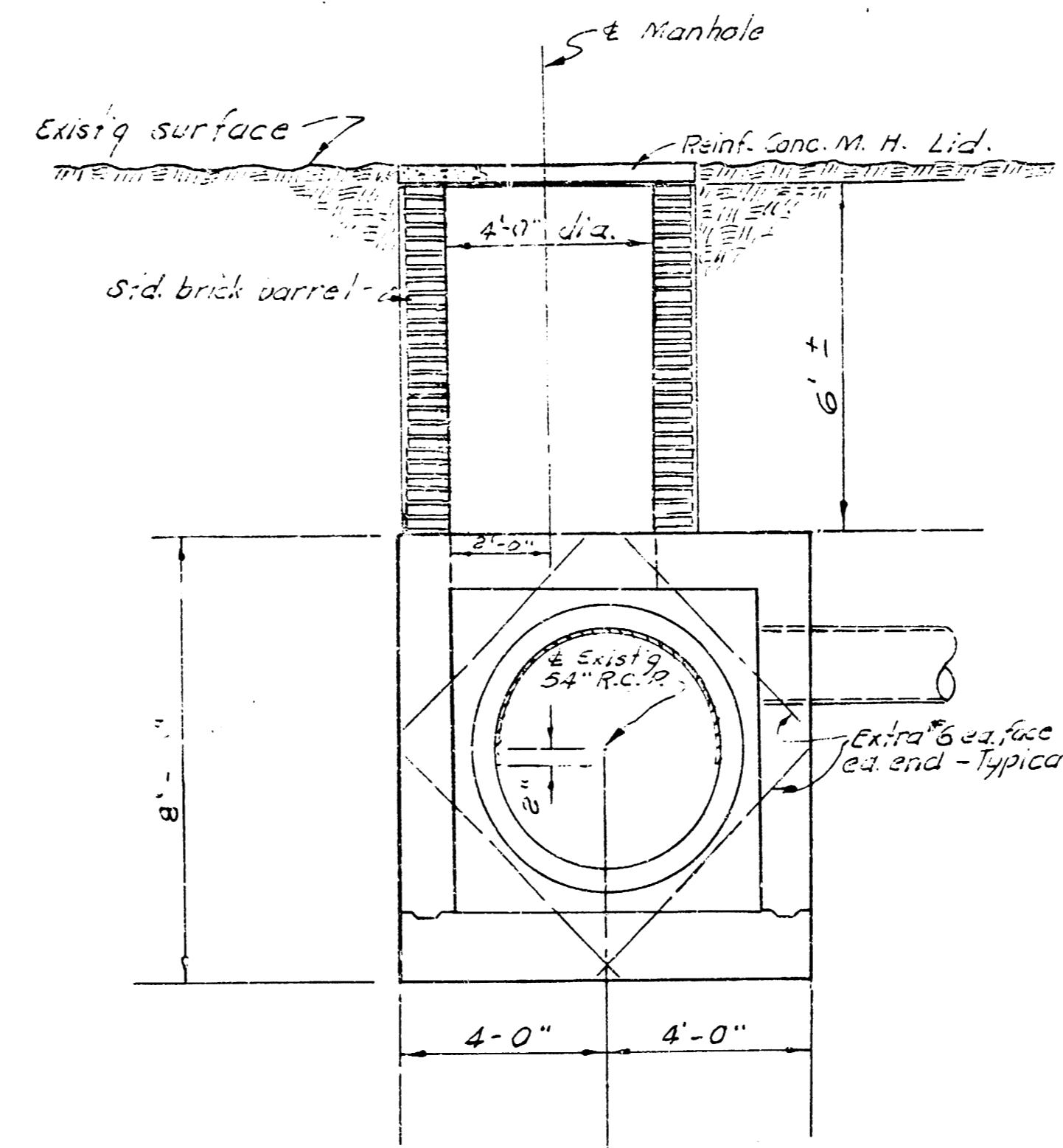
A PLAN

Scale:  $\frac{3}{8}'' = 1'-0''$

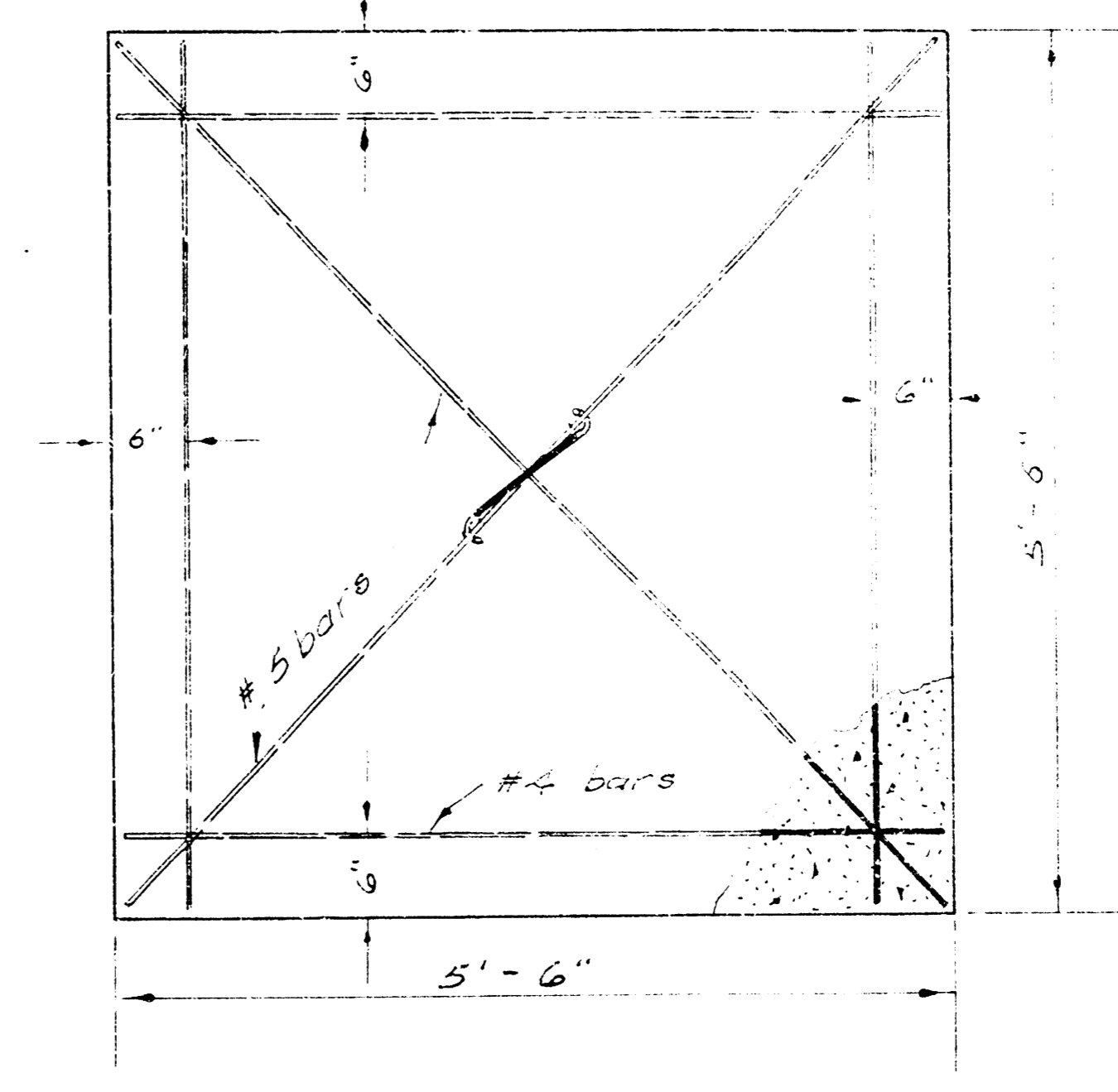


SECTION A-A

Scale:  $\frac{3}{8}'' = 1'-0''$

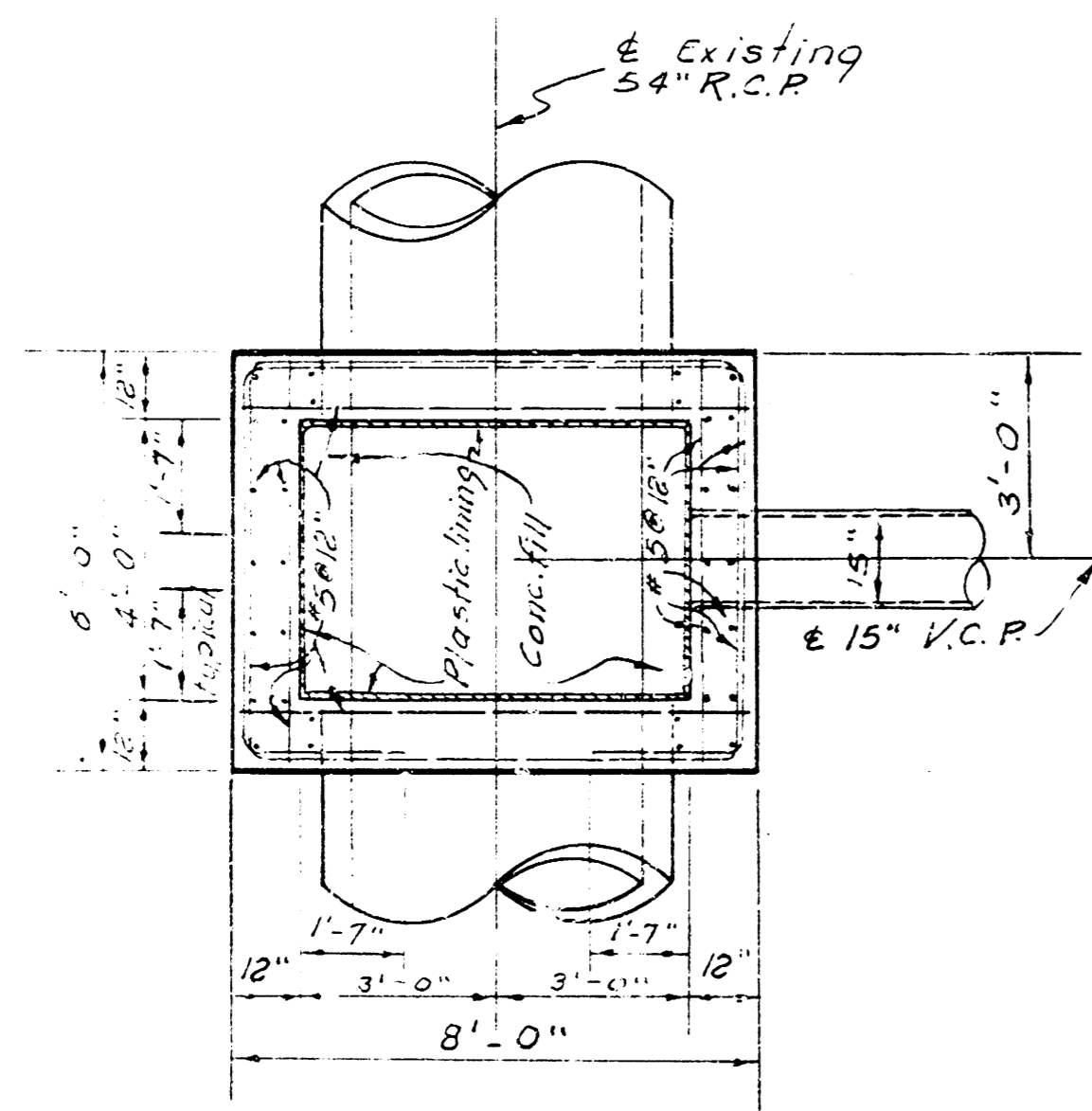
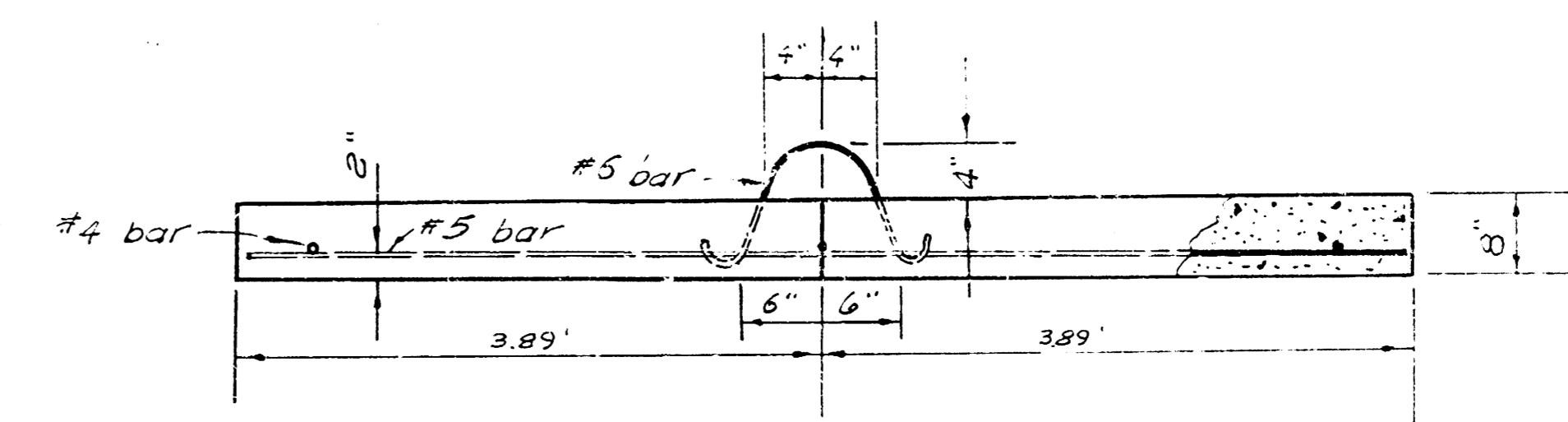


SECTION B-B



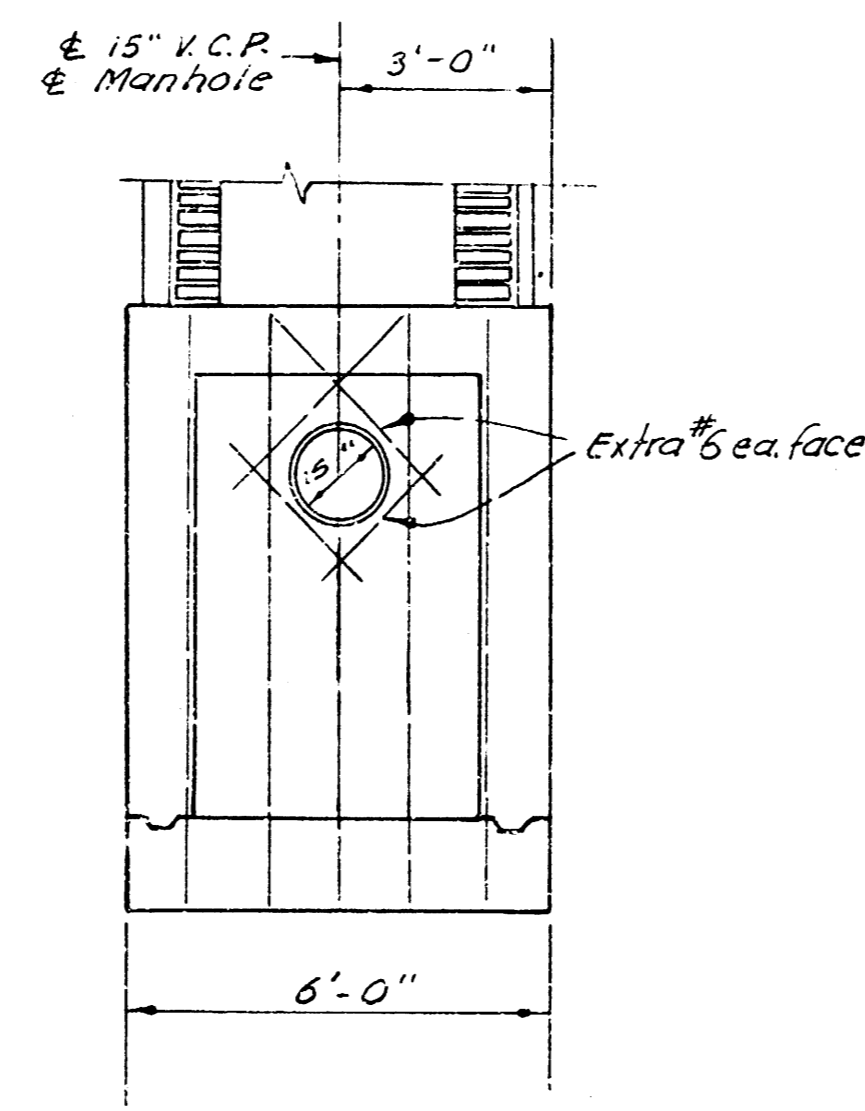
REINF. CONCRETE M. H. LID

Scale:  $1'' = 1'-0''$



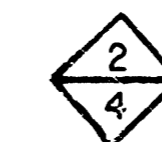
SECTIONAL PLAN

Scale:  $\frac{3}{8}'' = 1'-0''$



SECTION

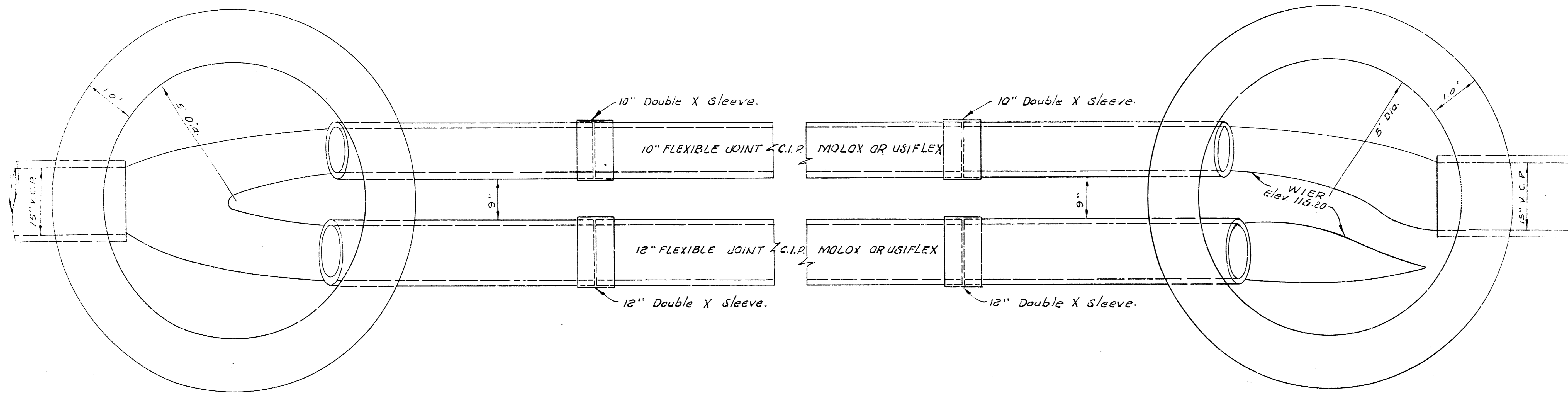
REINF. CONC. MANHOLE  
Sta. 0100.0



LAT. 21, S. S. NO. 23  
AND  
STORM WATER SEWER NO. 81  
PROJECT NO. C 27-20

PLAN  
M.H. STATION 1+40.0  
Type "B"

PLAN  
M.H. STATION 3+10.0  
Type "B"

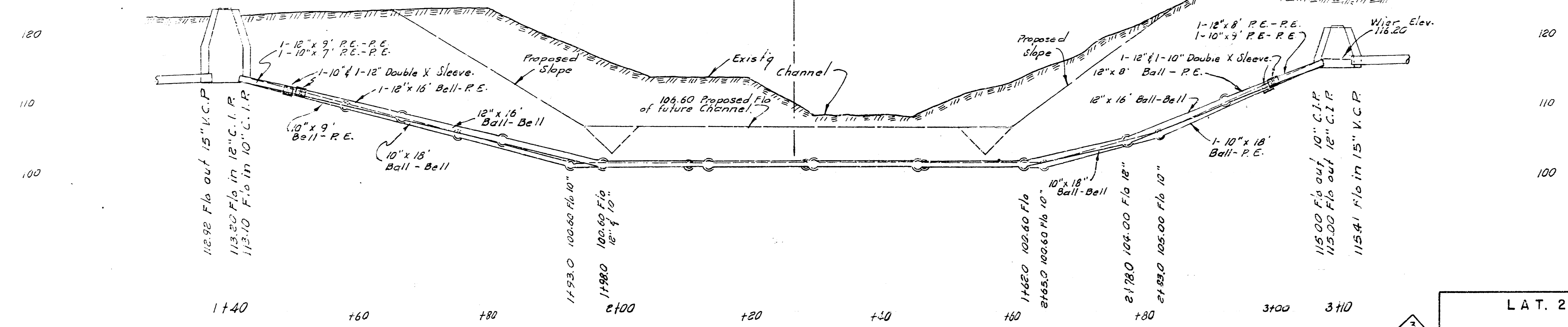


Plan Scale 1" = 1'  
Profile Scale 1" = 8' Horiz.  
1" = 8' Vert.

Sta 1+40.0

Sta. 3+10.0

- 1 P.E.-P.E. 12" x 9' (C.I.)
- 1 P.E.-P.E. 10" x 7' (C.I.)
- 1 P.E.-P.E. 12" x 8' (C.I.)
- 1 Bell-P.E. 10" x 9' (C.I.)
- 1 Bell-P.E. 12" x 16' Flexible Joint C.I.P. Moloy or Usiflex.
- 1 Bell-P.E. 10" x 18'
- 1 Bell-P.E. 12" x 8'
- 1 P.E.-P.E. 10" x 9'
- 8 Bell-Bell 12" x 16'
- 7 Bell-Bell 10" x 18'
- 2-10" Double X sleeves.
- 2-12" " " "



LAT. 21, S. S. NO. 23  
AND  
STORM WATER SEWER NO. 81  
PROJECT NO. C27-20

