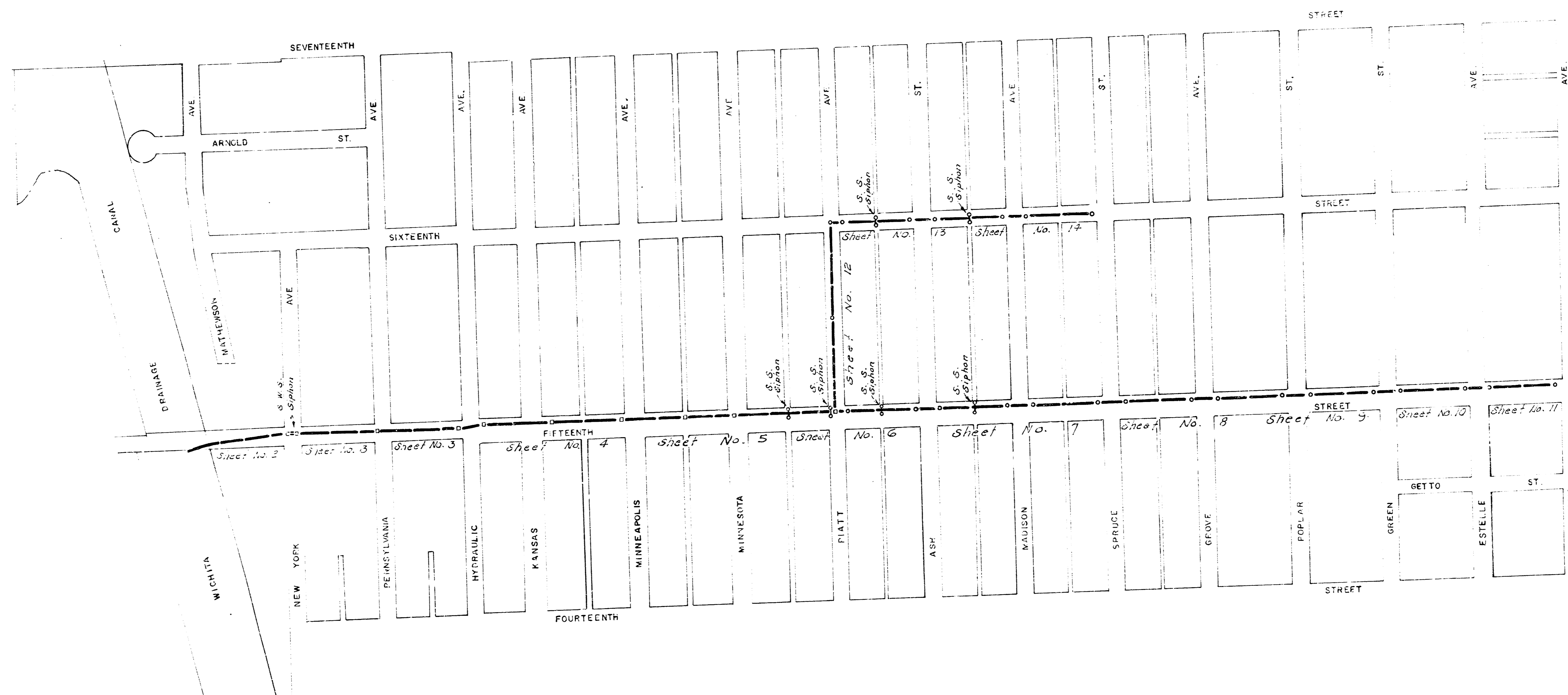
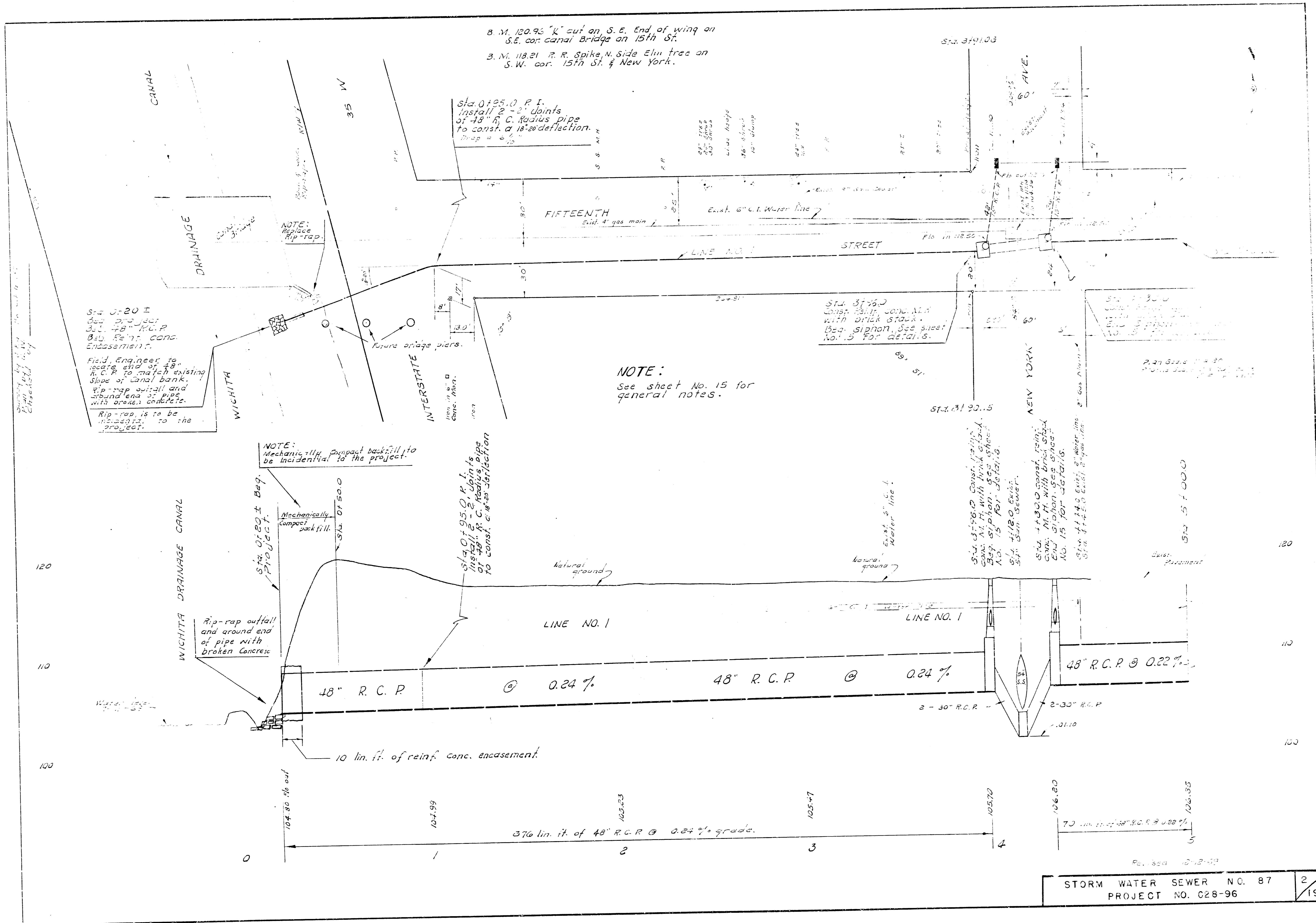


PLAN AND PROFILE FOR
STORM WATER SEWER NO. 87
 CITY OF WICHITA, KANSAS
 B. E. SMITH — CITY ENGINEER
 PROJECT NO. C28-96





B.M. 120.95 "K" cut on S.E. end of wing on S.E. cor. canal bridge on 15th St.
 B.M. 118.21 R.R. Spike N. side Elm tree on S.W. cor. 15th St. & New York.

Sta. 0195.0 P.I.
 Install 2-2' joints of 48" R.C. Radius pipe to const. a 18" deflection.

Sta. 0120.0
 360' dia. pier
 36" dia. R.C.P.
 8" dia. Reinf. conc. Encasement.
 Field Engineer to locate end of 48" R.C.P. to match existing slope of canal bank. Rip-rap outfall and around end of pipe with broken concrete. Rip-rap is to be necessary to the project.

NOTE:
 See sheet No. 15 for general notes.

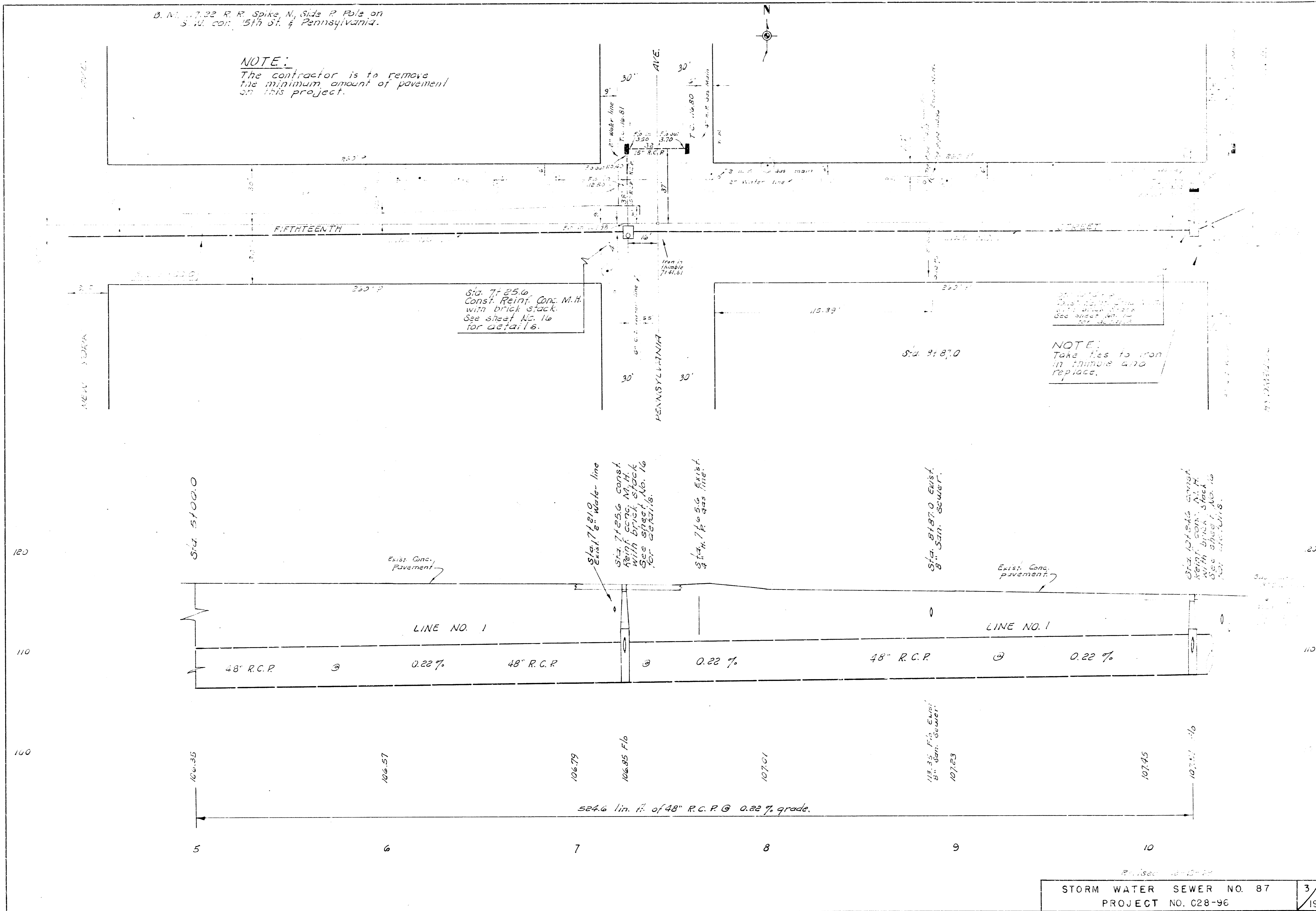
NOTE:
 Mechanically compact backfill to be incidental to the project.

Sta. 0195.0 P.I.
 Install 2-2' joints of 48" R.C. Radius pipe to const. a 18" deflection.

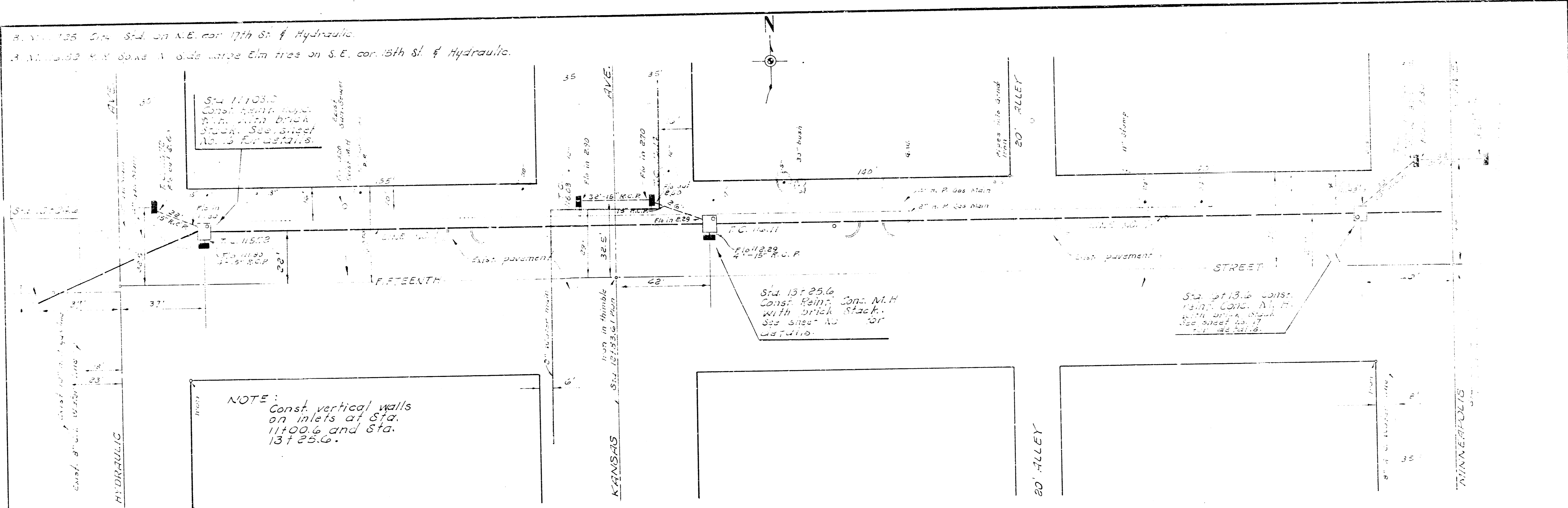
WICHITA DRAINAGE CANAL
 Rip-rap outfall and around end of pipe with broken concrete

B. N. 17.22 R. R. Spike, N. Side P. Pole on
S. W. cor. 15th St. & Pennsylvania.

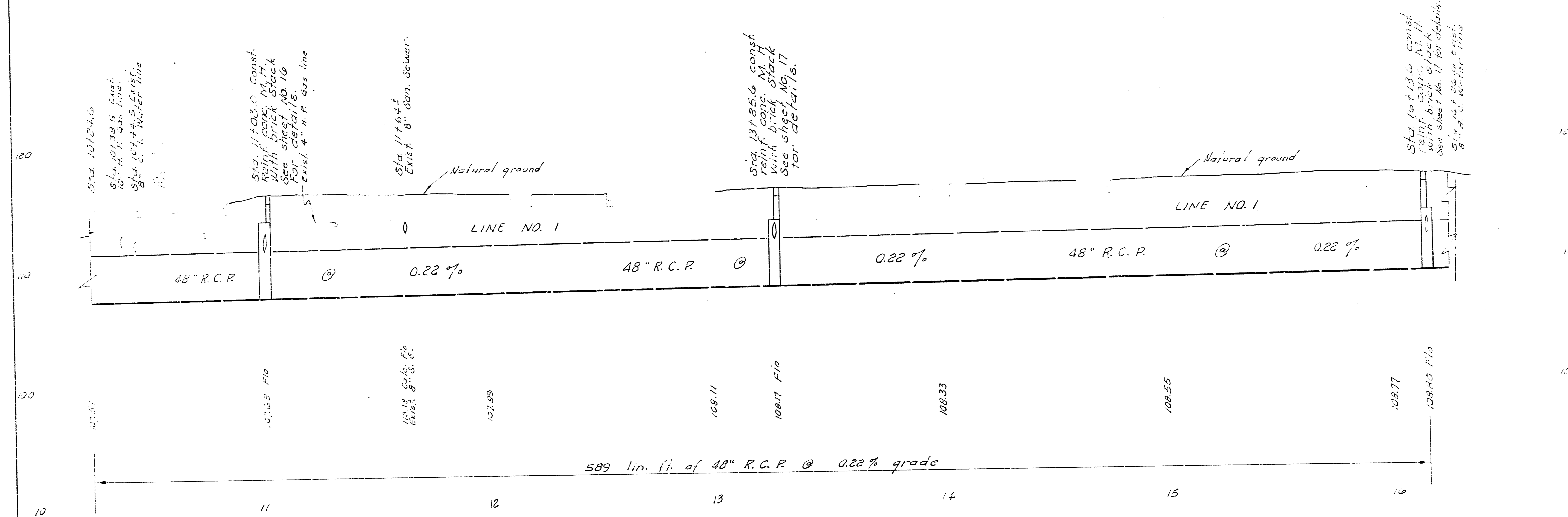
NOTE:
The contractor is to remove
the minimum amount of pavement
on this project.

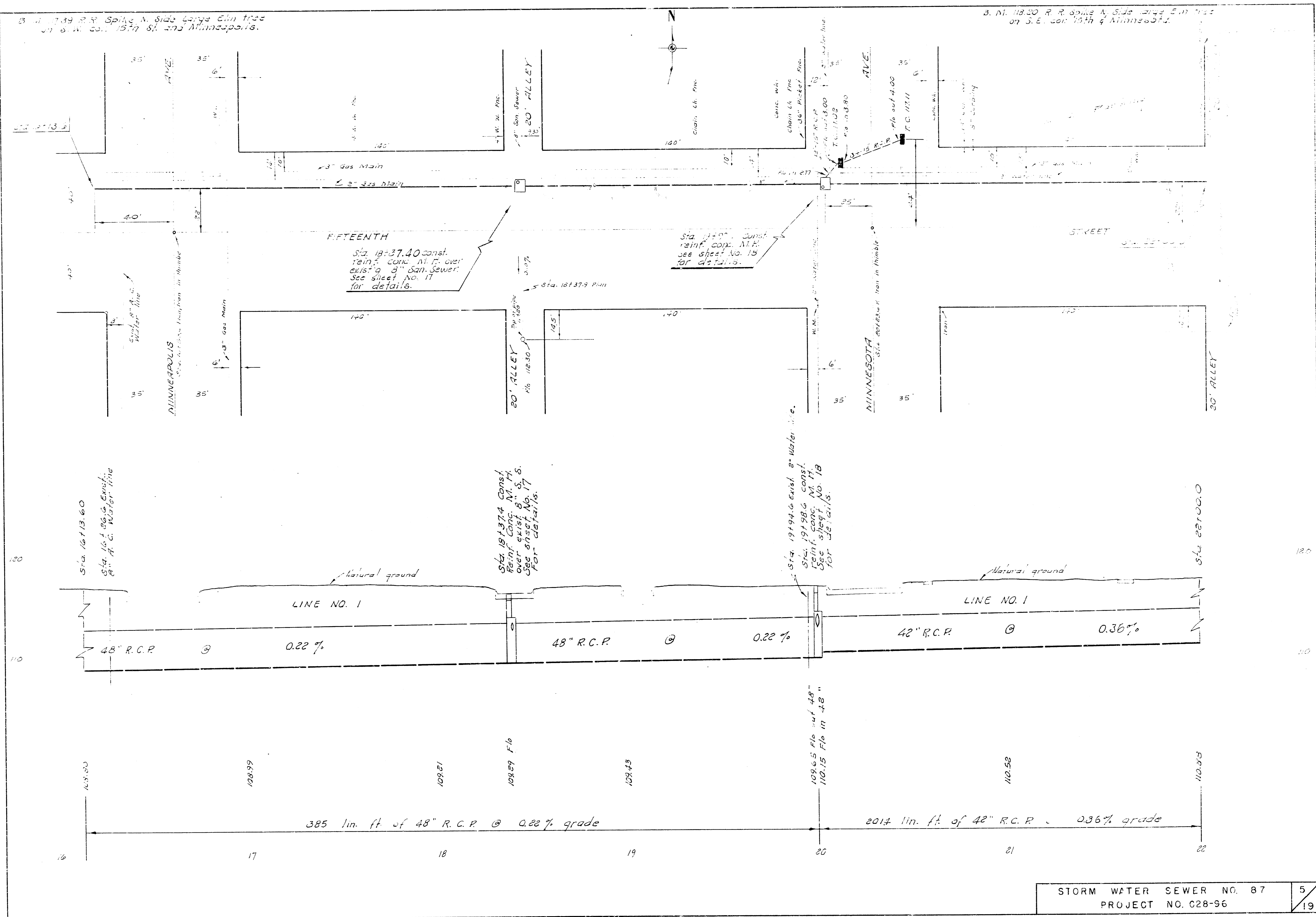


B.V. 111.85 Cons. Sta. on N.E. cor 17th St. & Hydraulic.
 R.A. 111.85 Cons. Sta. on S.E. cor 15th St. & Hydraulic.



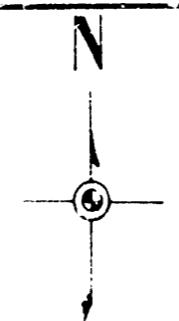
NOTE:
 Const. vertical walls
 on inlets at Sta.
 111.05.0 and Sta.
 131.25.6.

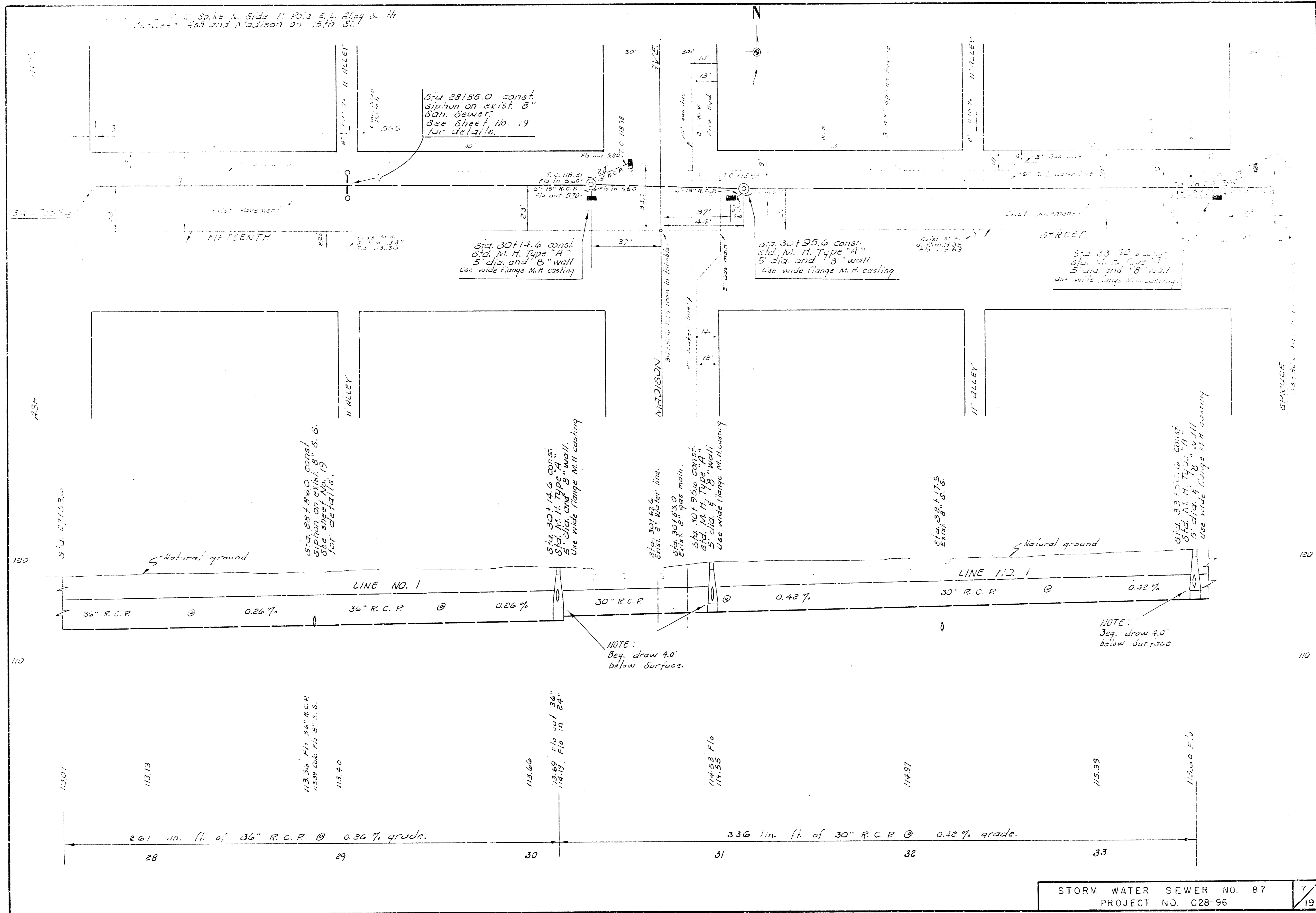




B. N. 1820 R.R. Spike A. Side Large Elm Tree on S.E. cor. 15th & Minnesota.

B. N. 1820 R.R. Spike A. Side Large Elm Tree on S.E. cor. 15th & Minnesota.

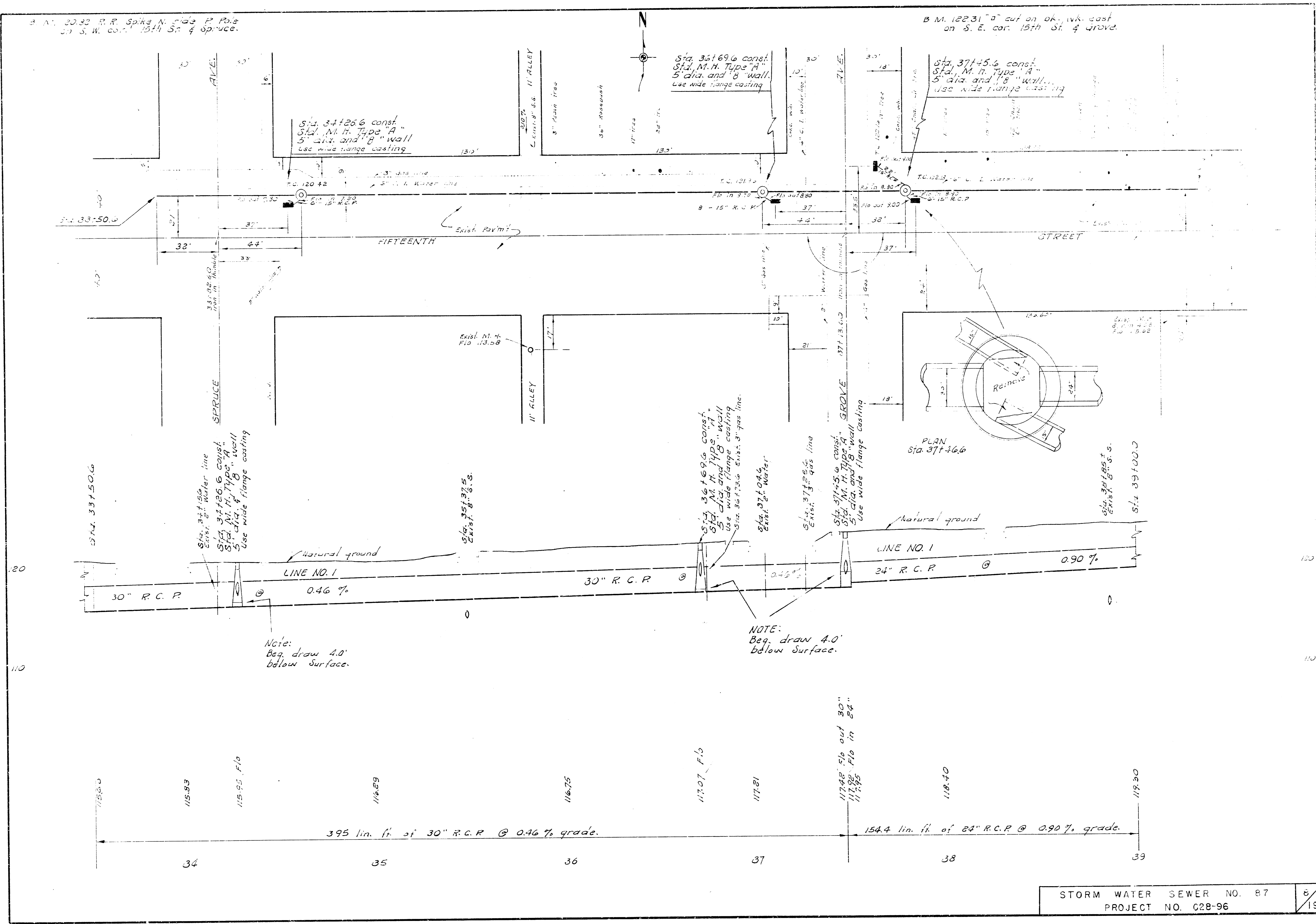




STORM WATER SEWER NO. 87
 PROJECT NO. C28-96
 7
 19

B.M. 2030 R.R. Spike N. 1/4 P. 102
on S.W. cor. 15th St. & Spruce.

B.M. 12231 "a" cut on ok. ivk. east
on S.E. cor. 15th St. & Grove.



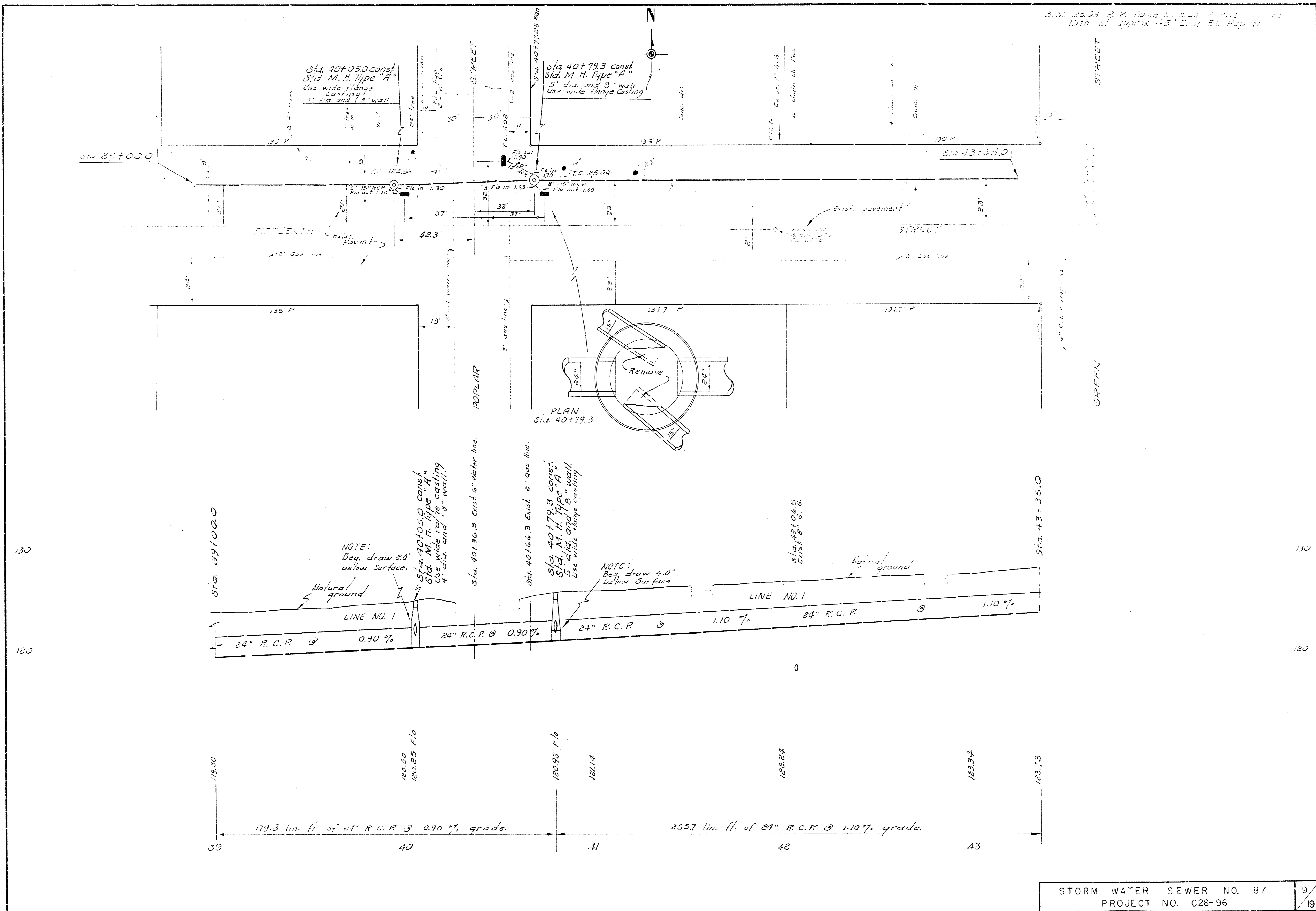
Note:
Beg. draw 4.0'
below surface.

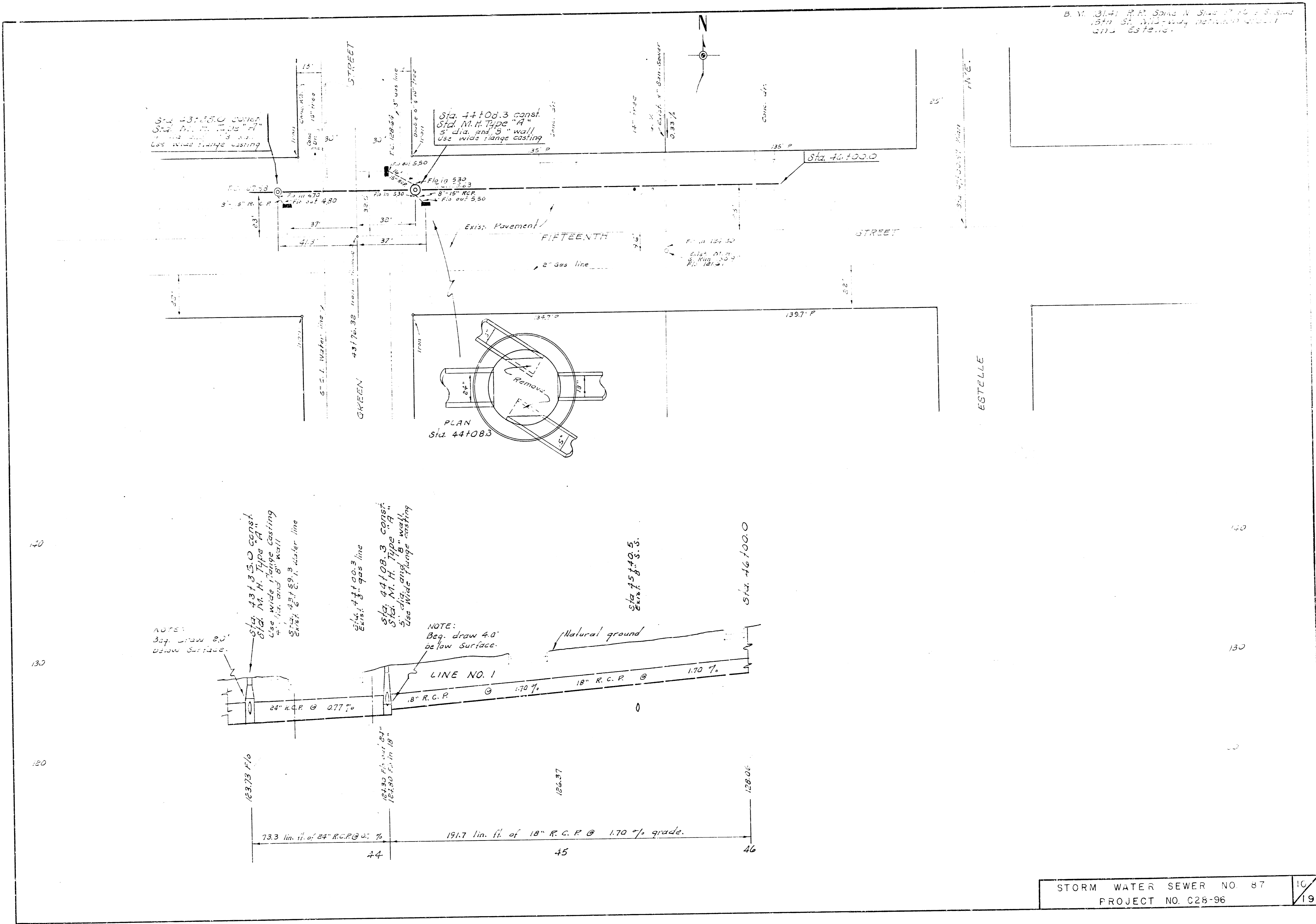
NOTE:
Beg. draw 4.0'
below surface.

395 lin. ft. of 30" R.C.P. @ 0.46% grade.

154.4 lin. ft. of 24" R.C.P. @ 0.90% grade.

3.11.26.09 P. R. BAKER, CIVIL ENGINEER
 1579 67 AVENUE #3 E. OF 54th ST.



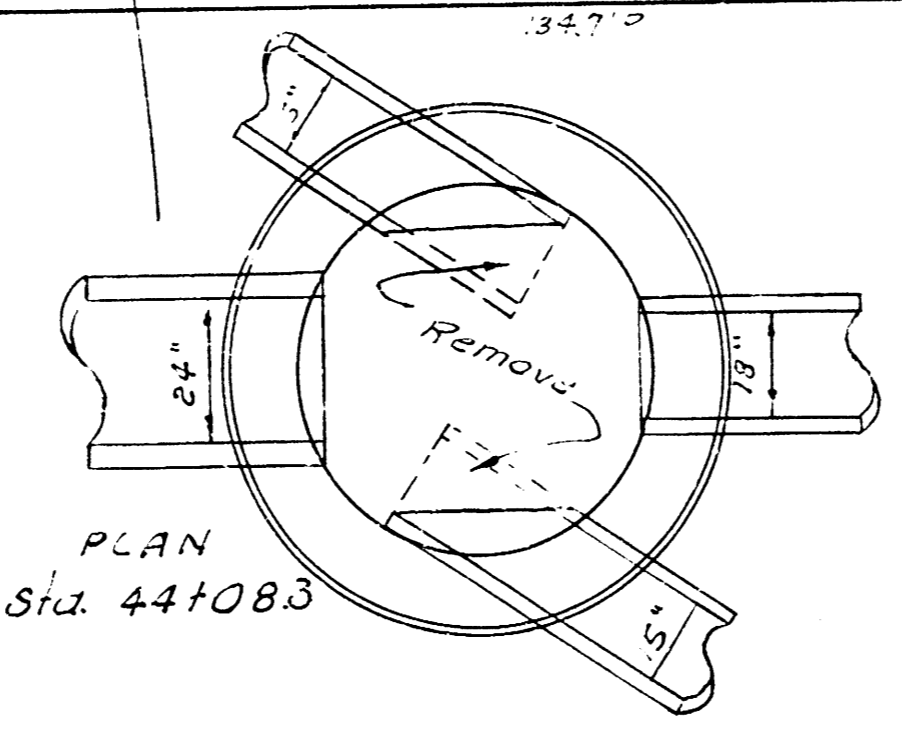


B. V. 131-41 R.R. Spans N. Side of 15th St. & E. Side of 15th St. Wideway between 15th St. & Estelle St. 63' 10\"/>

Sta. 43+00.0 Const. Sta. M. H. Type "A" Use wide flange casting 14\"/>

Sta. 44+00.3 Const. Sta. M. H. Type "A" 5' dia. and 18\"/>

Sta. 46+00.0



NOTE: Beg. draw 2.0' below surface.

Sta. 43+35.0 Const. Sta. M. H. Type "A" Use wide flange casting 14\"/>

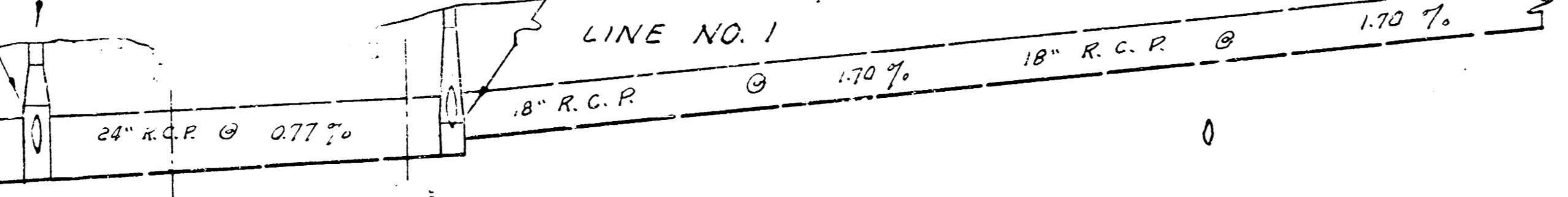
Sta. 44+00.3 Const. Sta. M. H. Type "A" 5' dia. and 18\"/>

Sta. 44+08.3 Const. Sta. M. H. Type "A" 5' dia. and 18\"/>

NOTE: Beg. draw 4.0' below surface.

Natural ground

LINE NO. 1



123.73 F/G

124.30 F/G, 124.30 F.G. in 18"

126.37

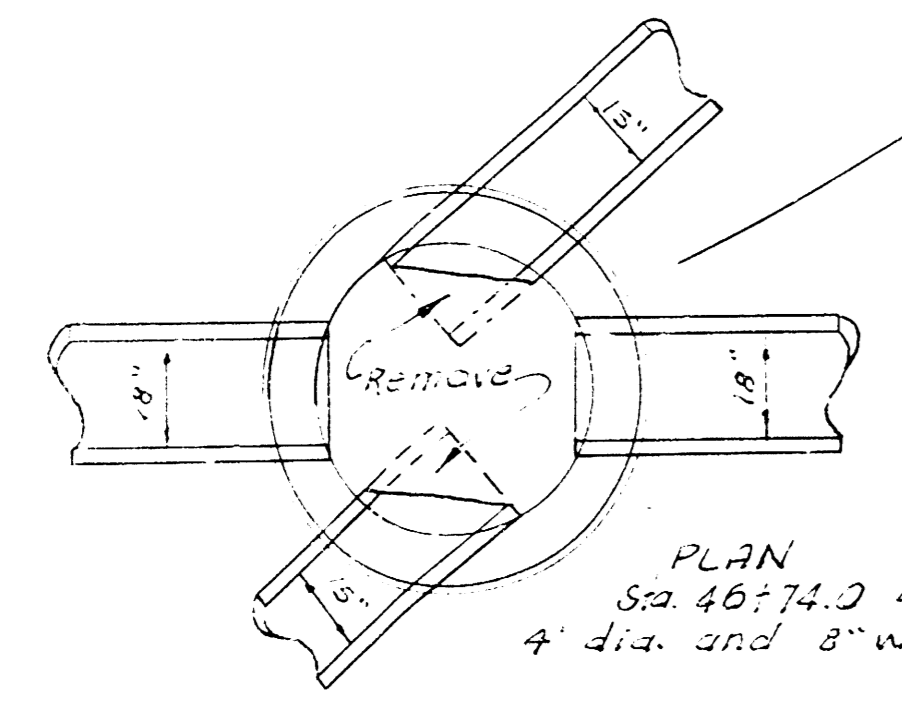
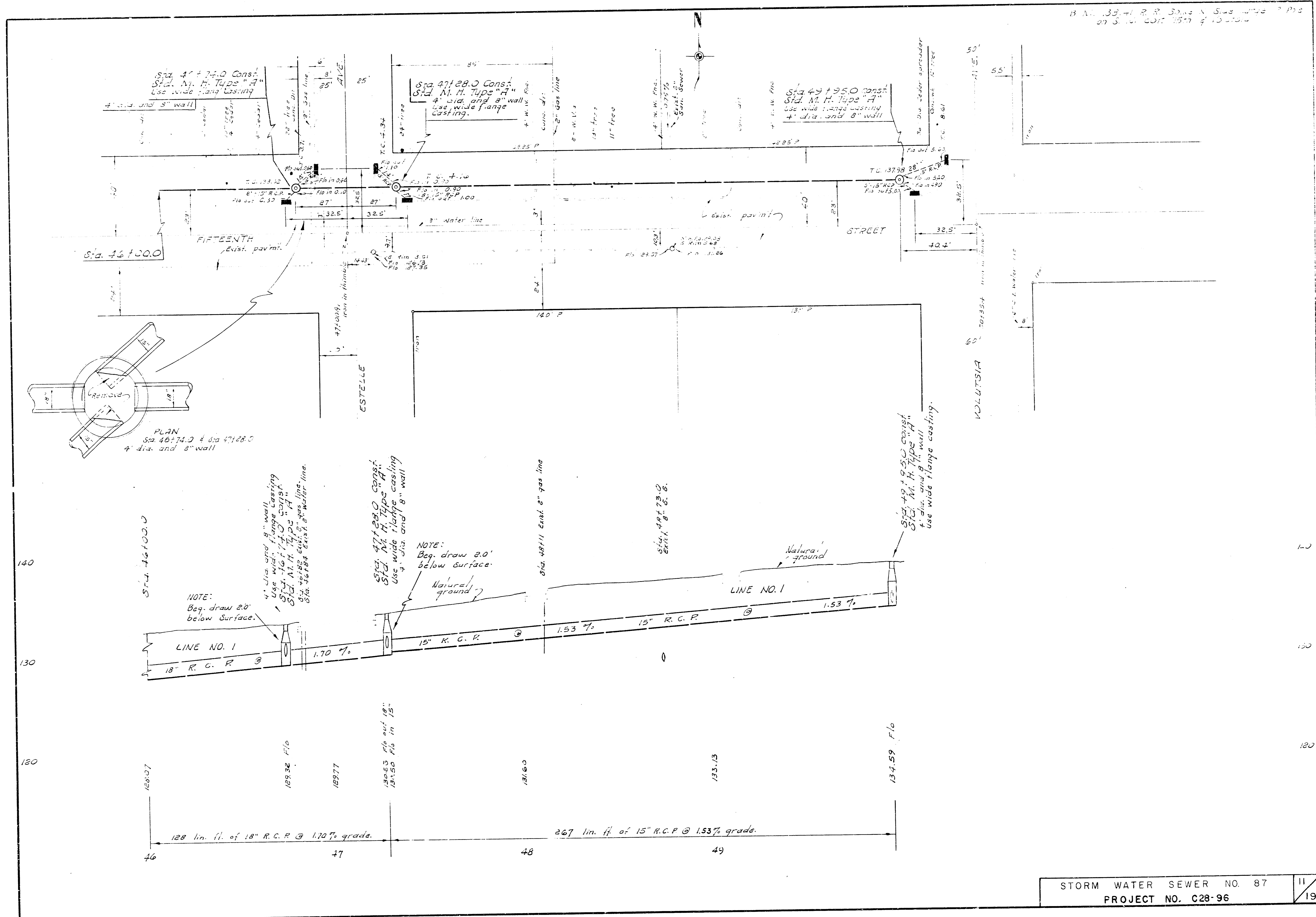
128.06

73.3 lin. ft. of 24" R.C.P. @ 1/8"

44

45

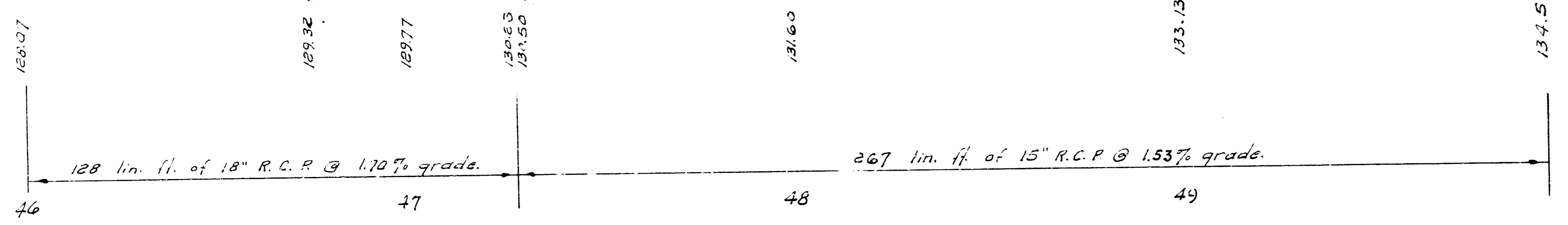
46



PLAN
Sta 46+74.0 & Sta 47+28.0
4' dia. and 8" wall

NOTE:
Beg. draw 2.0'
below surface.

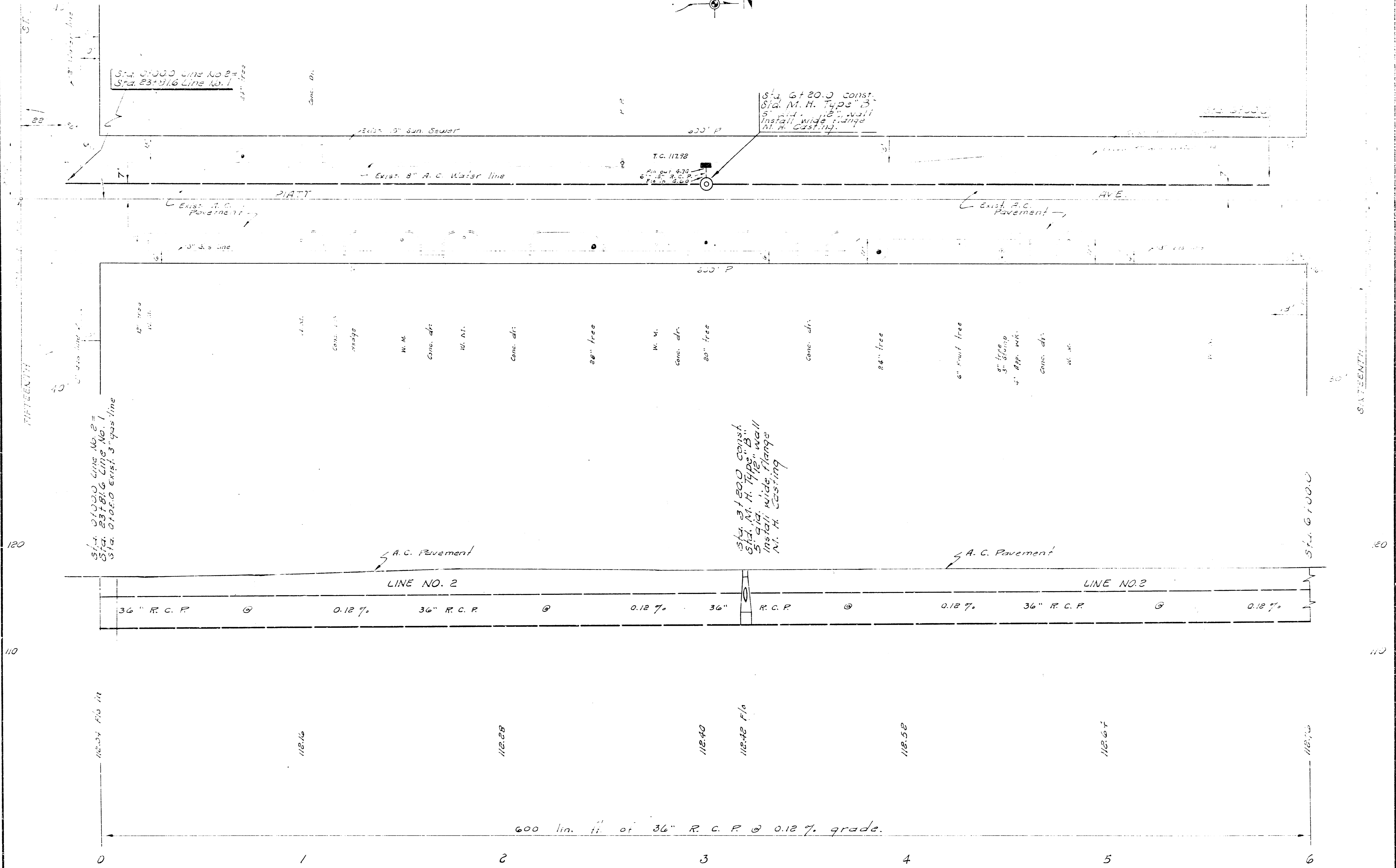
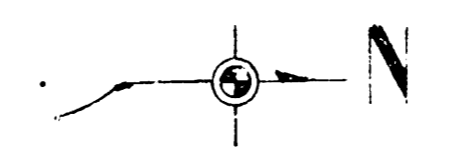
NOTE:
Beg. draw 2.0'
below surface.



Sta. 21+00.00 Line No. 2
Sta. 23+11.6 Line No. 1

M. N. 1870 R. R. Spike S side large Elm trees
and trees E. of Plat. on N. Side 1870 St.

B. N. 118-08 21' cut Br. W. North on
N. E. Cor. 15th and Platt.



FIFTEENTH

SIXTEENTH

120

120

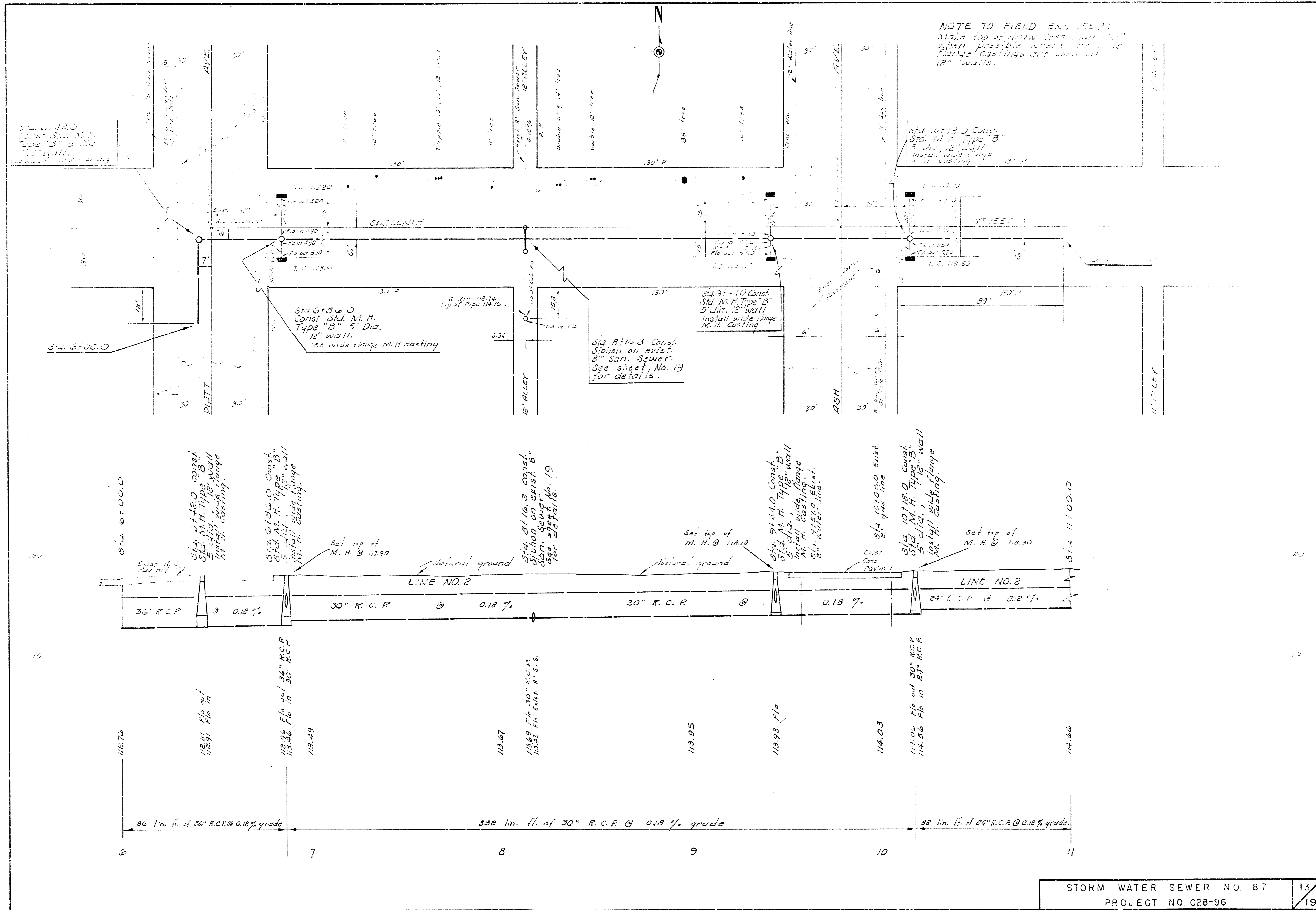
110

110

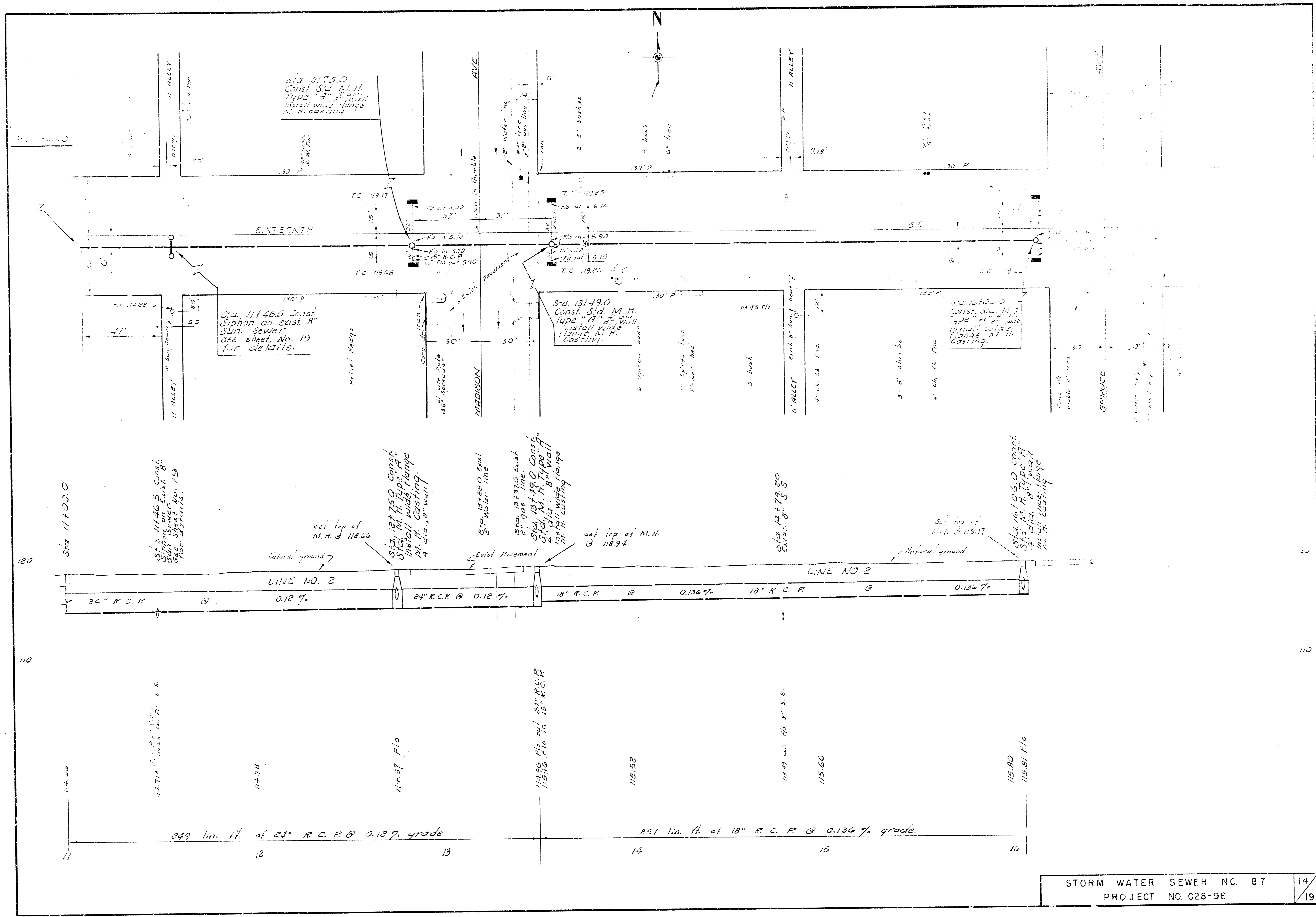
118.04
118.06
118.08
118.10
118.12
118.14
118.16

600 lin. ft. of 36" R. C. P. @ 0.12% grade.

STORM WATER SEWER NO. 37	12
PROJECT NO. C28-96	19



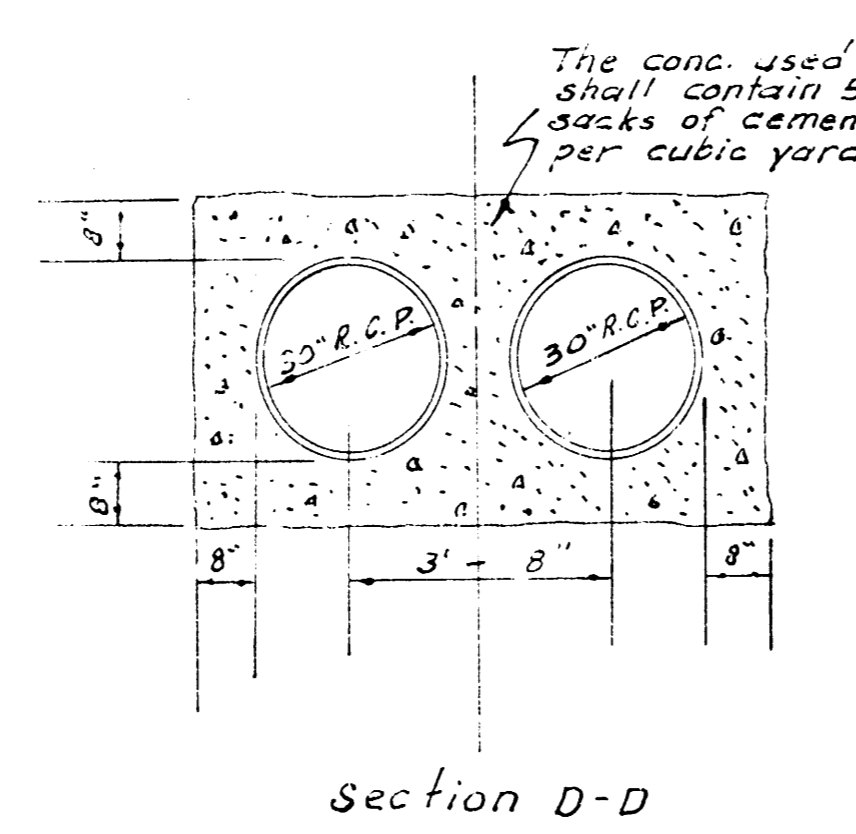
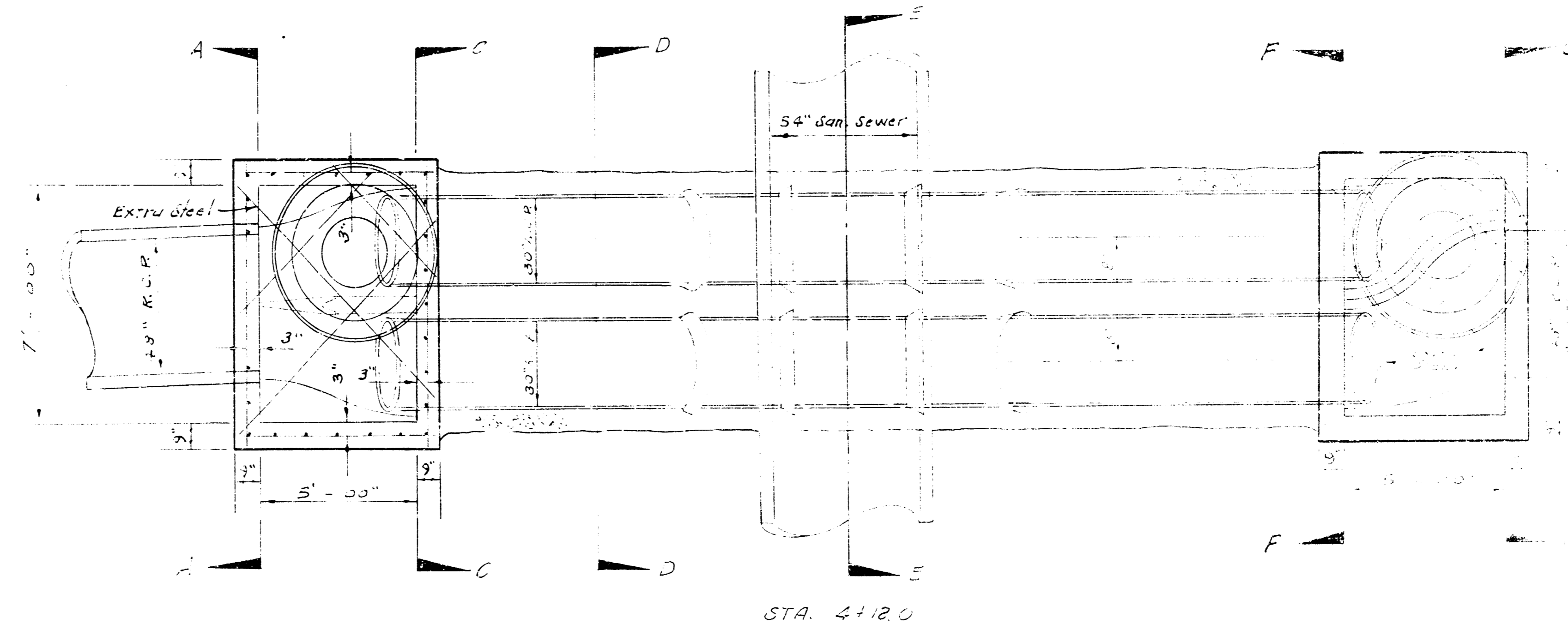
NOTE TO FIELD ENGINEER:
 Make top of pipe less than 12\"/>



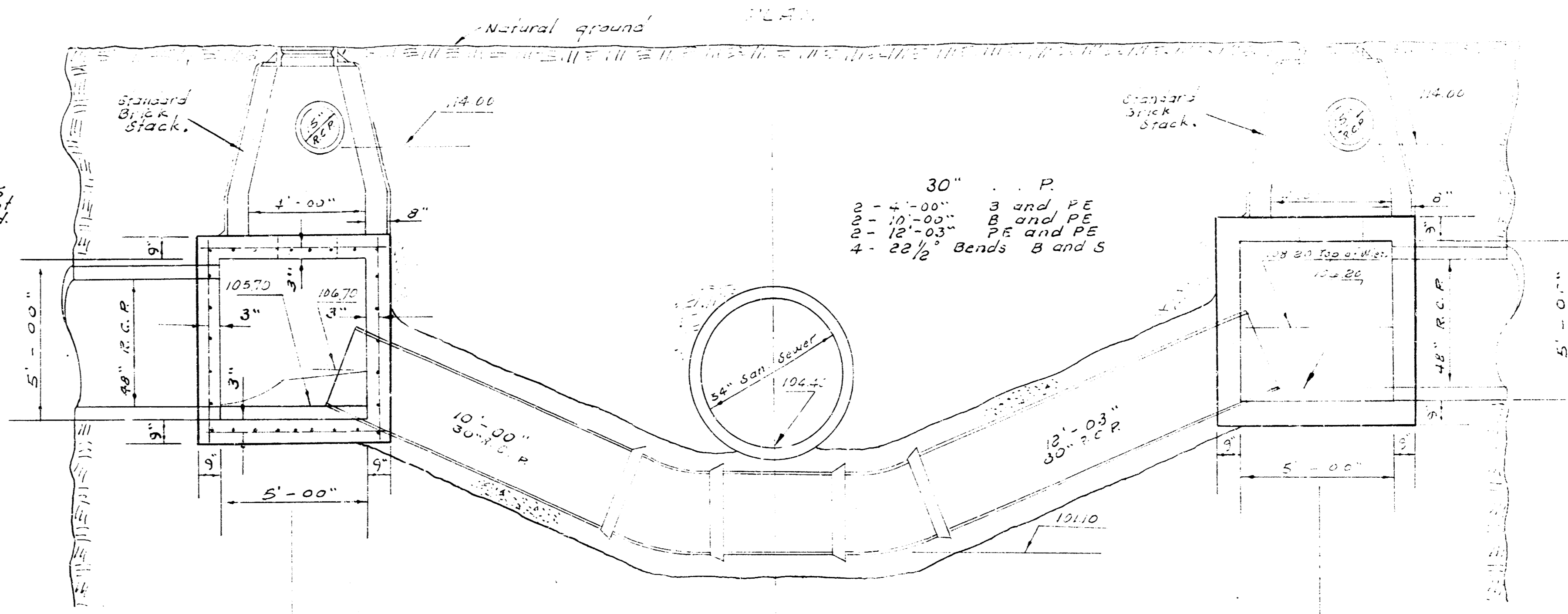
GENERAL NOTES

Bid price for siphons shall include all cost of constructing siphons except manholes.

Bid price of work and drive removal and regrading shall include the 4' walks and 3' walks.



Section D-D
Scale 3/8" = 1'-00"

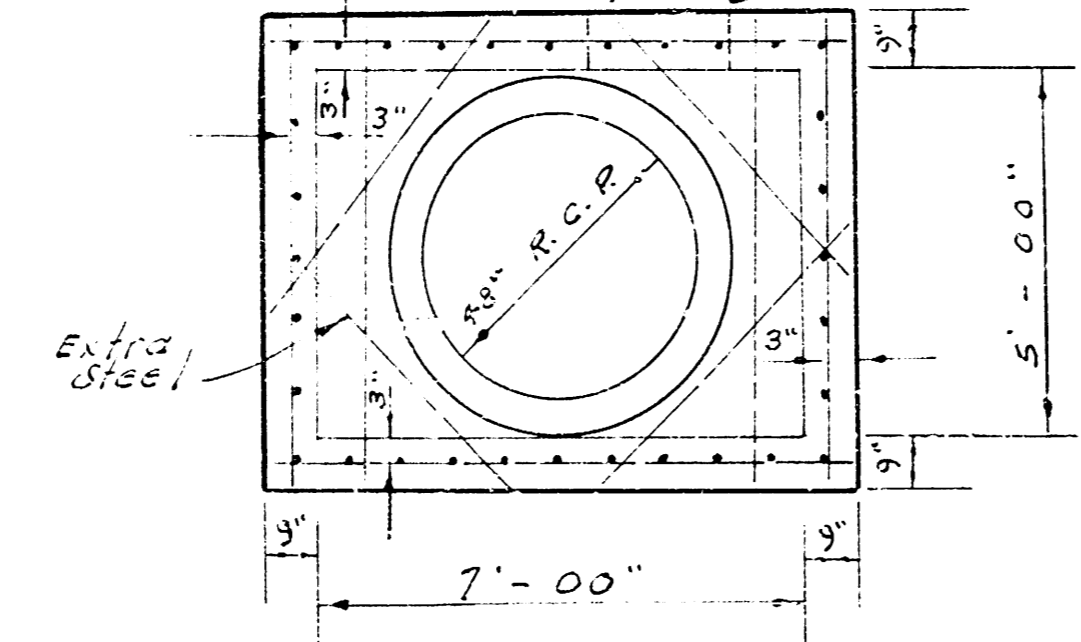


STA. 3+96.0
Reinf. Conc. M. H.
Brick Stack

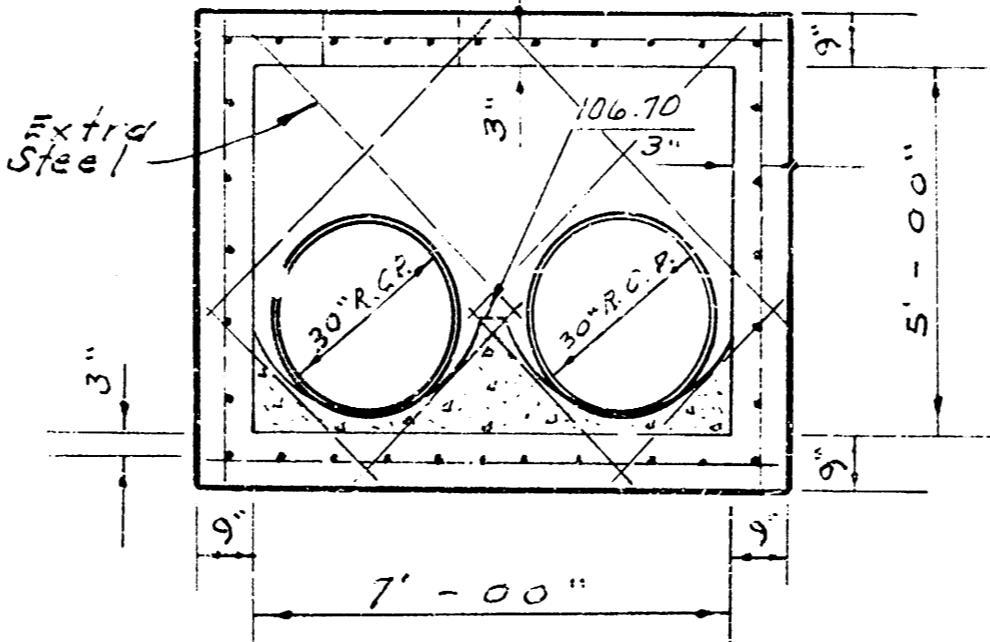
STA. 4+120
ELEVATION

STA. 4+300
Reinf. Conc. M. H.
Brick Stack

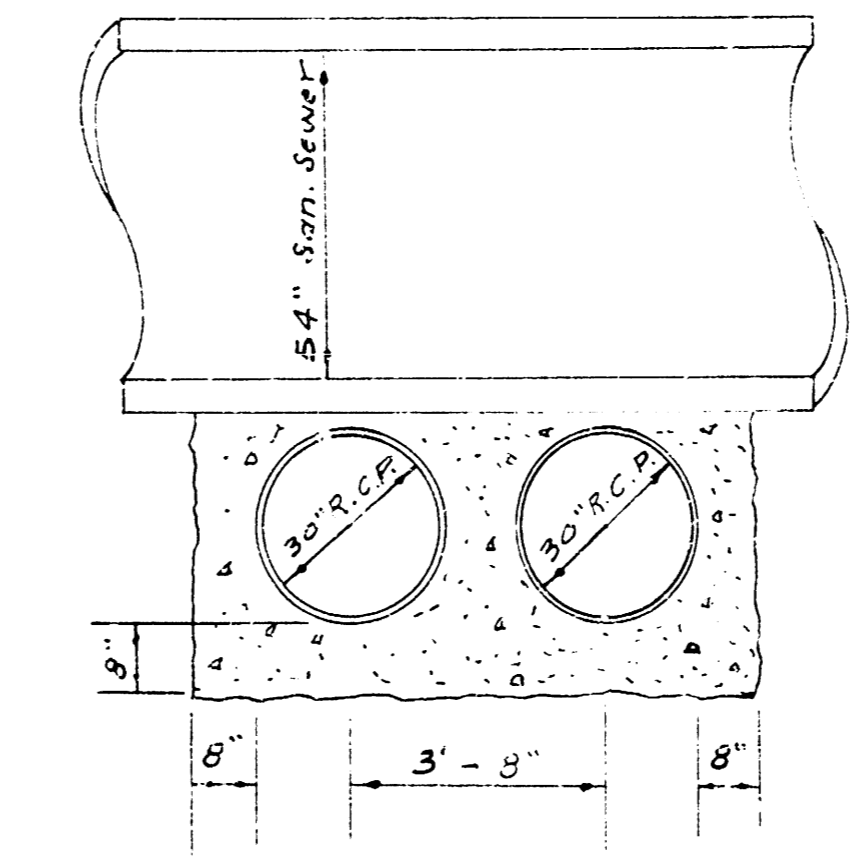
NOTE:
Install #5 bars at 9" centers both ways in floor and top on all reinf. conc. manholes in this project.
Install #5 bars at 12" centers both ways in all walls on all reinf. conc. manholes in this project.
Also install extra #5 bars as shown. All steel is to clear 3" from the inside surface of all reinf. conc. manholes in this project.



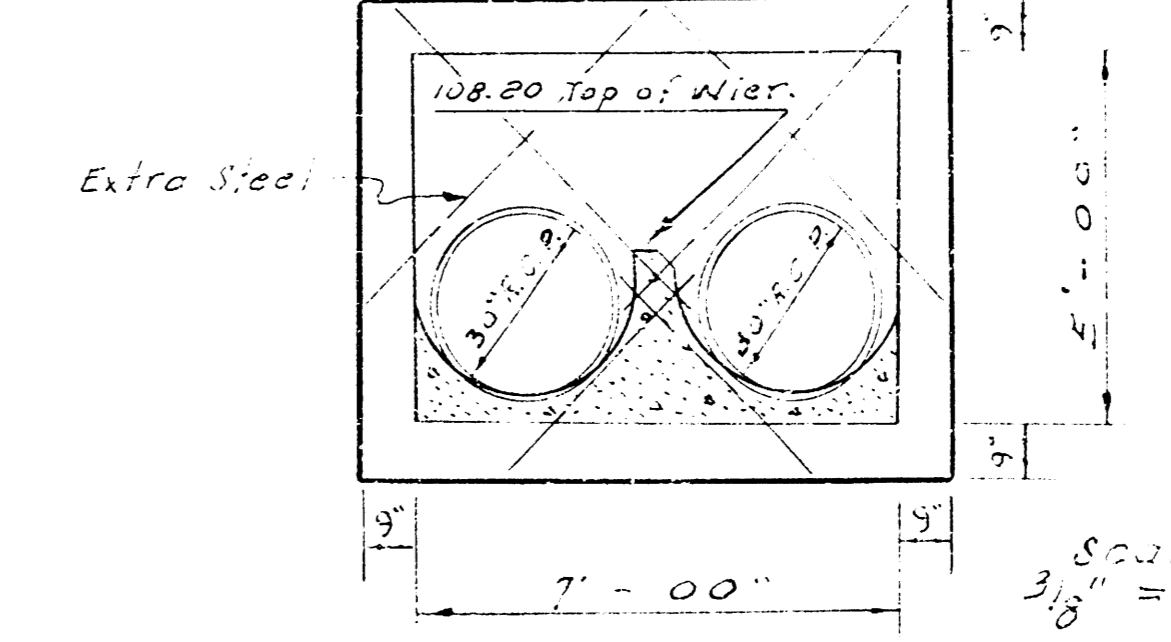
Section A-A
Section G-G



Section C-C



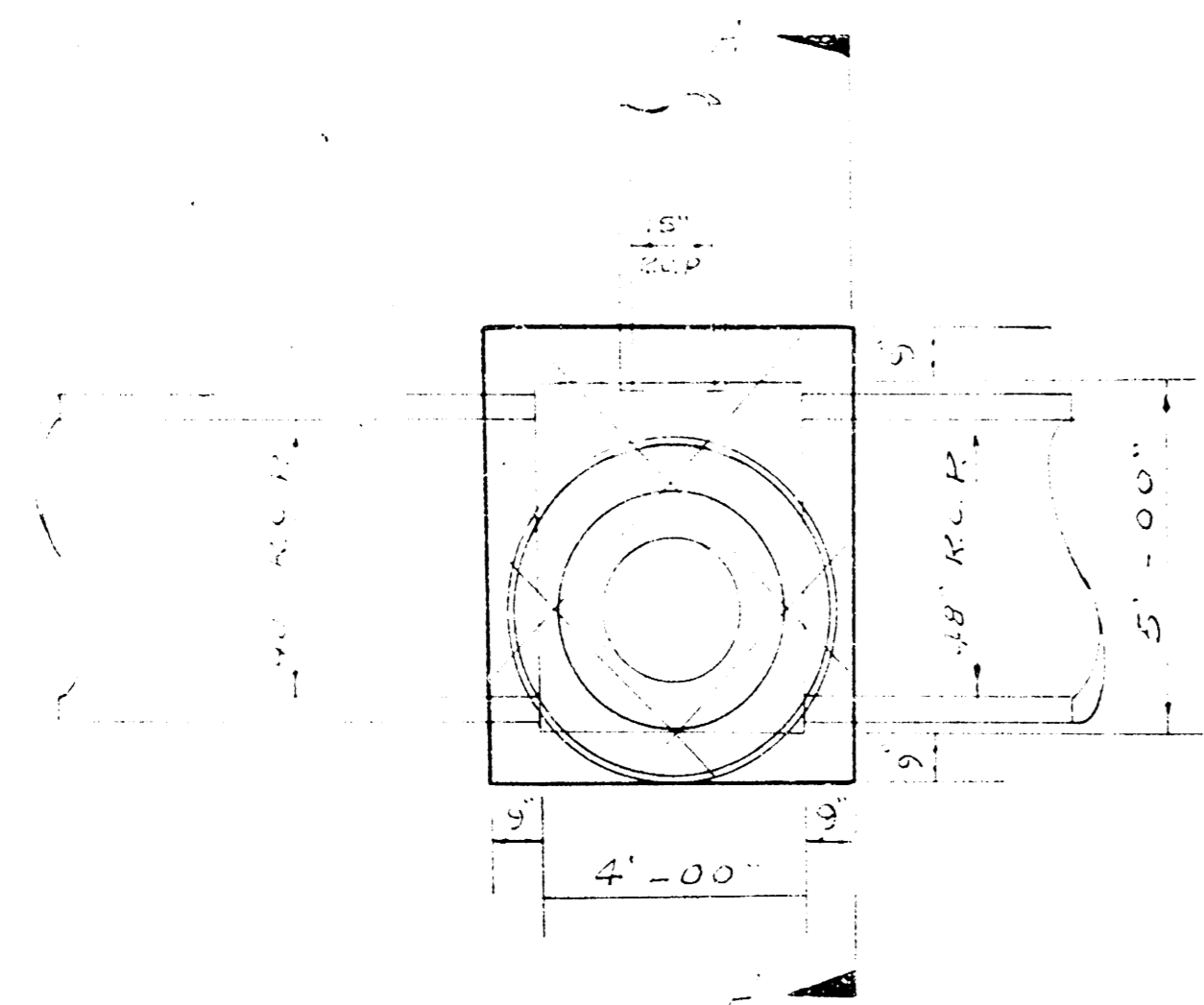
Section E-E



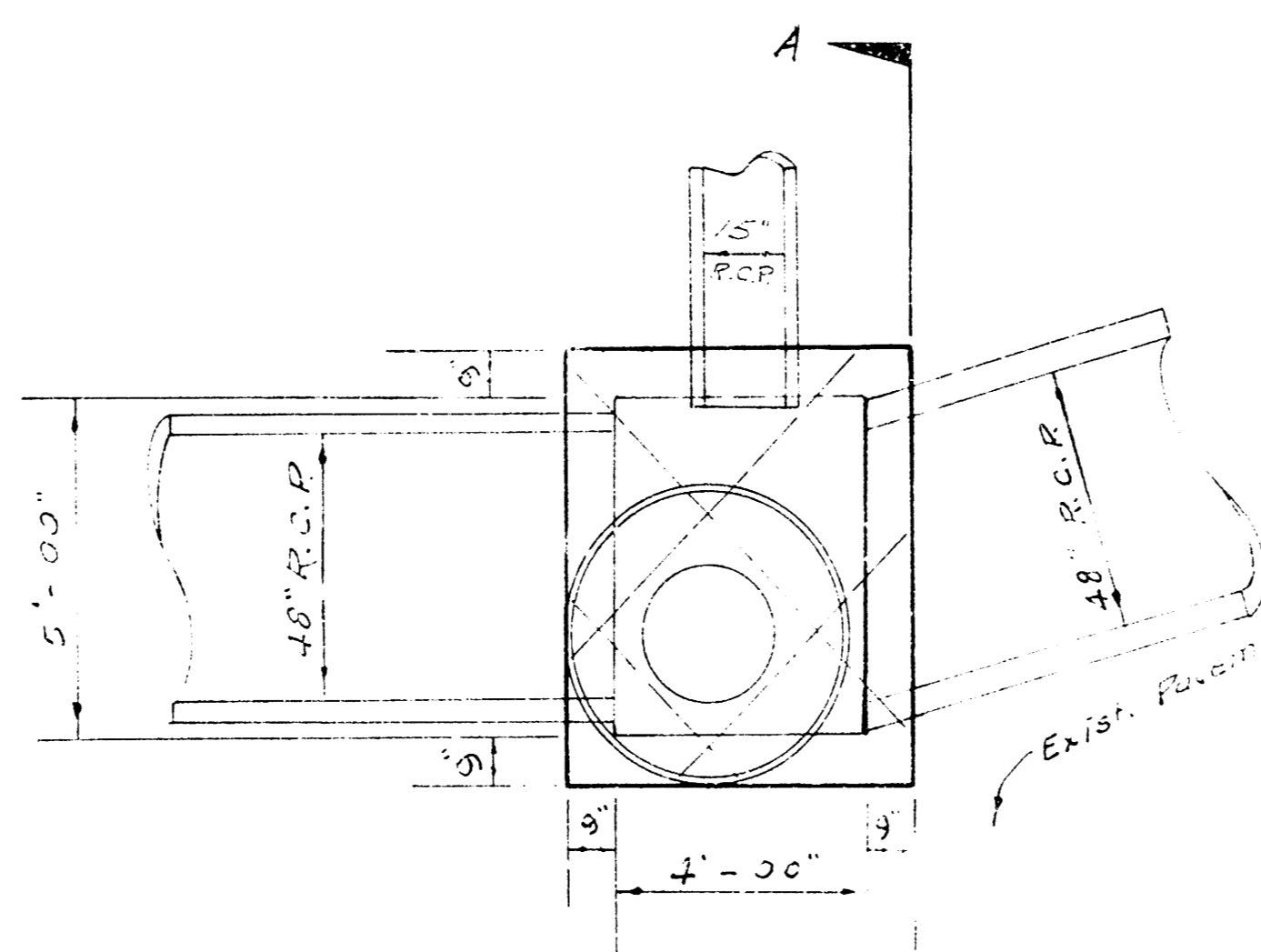
Section F-F

Scale 3/8" = 1'-00"

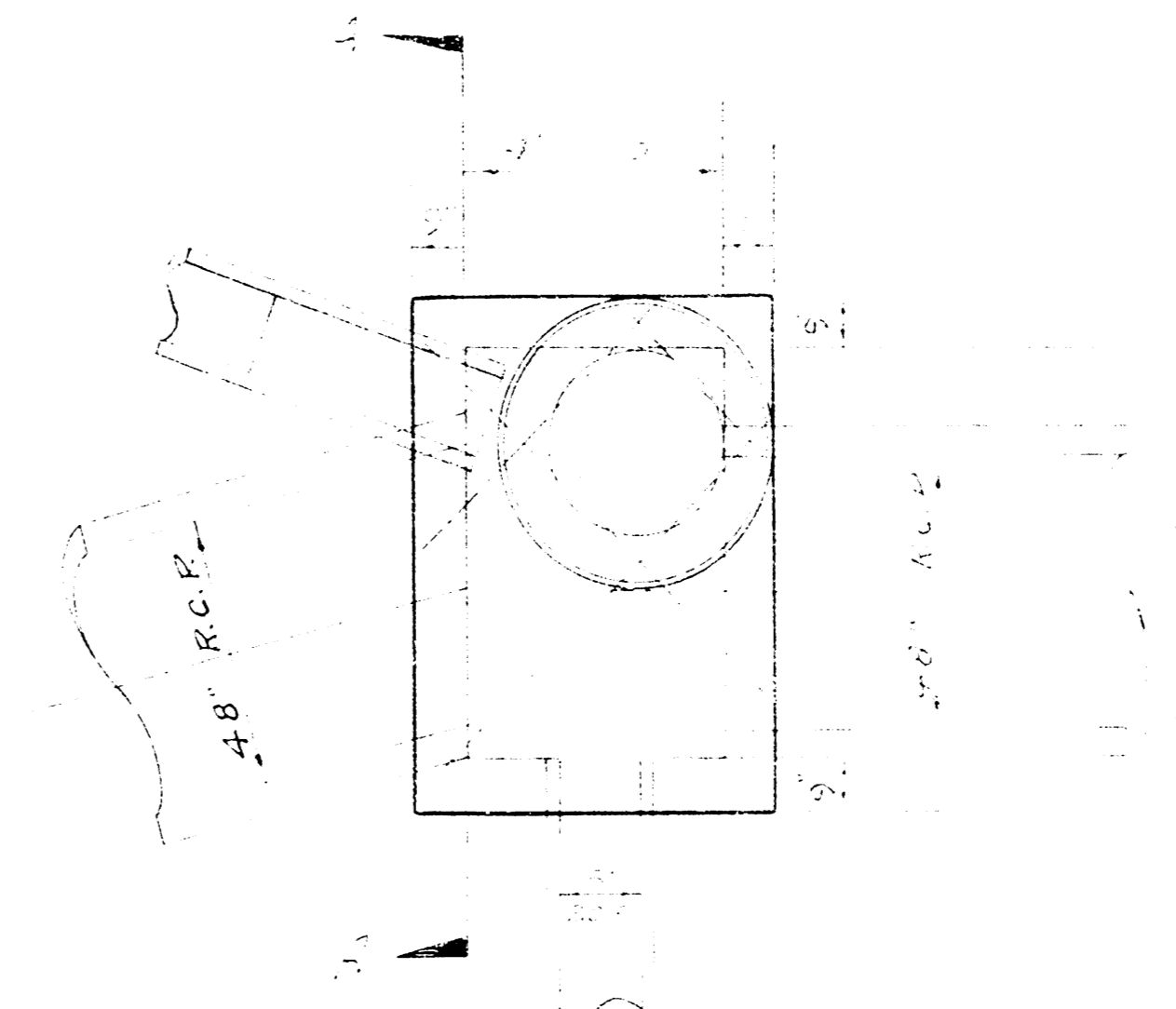
Revised 12-12-69



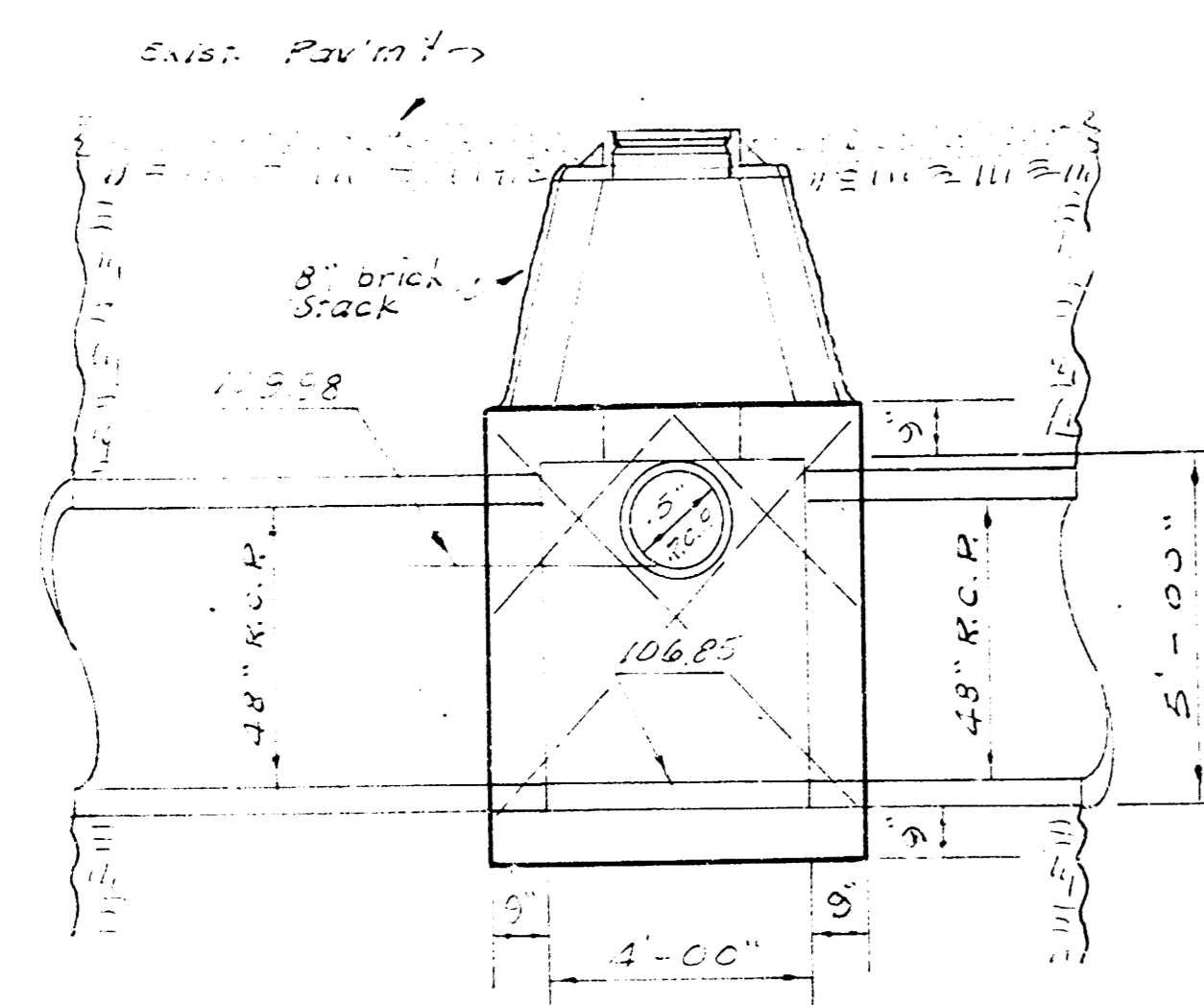
PLAN
Sta. 7+25.6



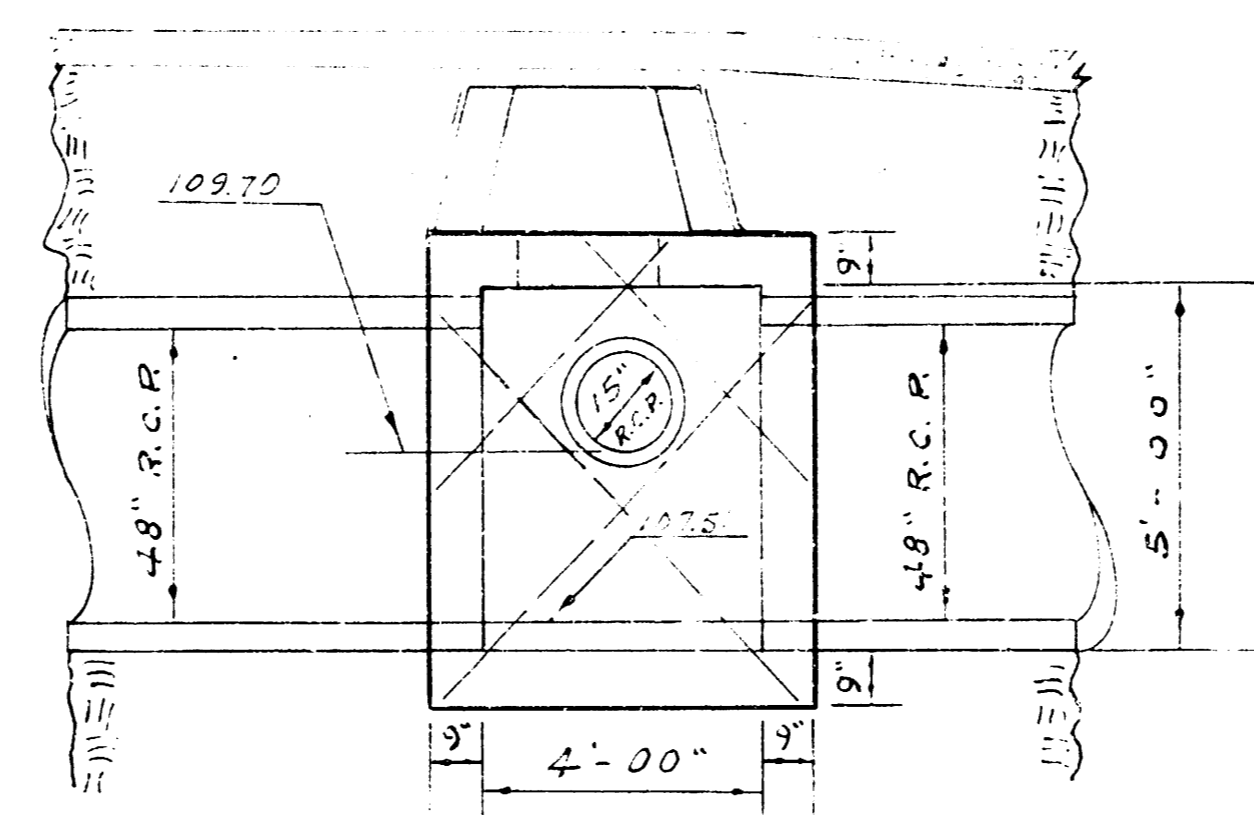
PLAN
Sta. 10+24.6



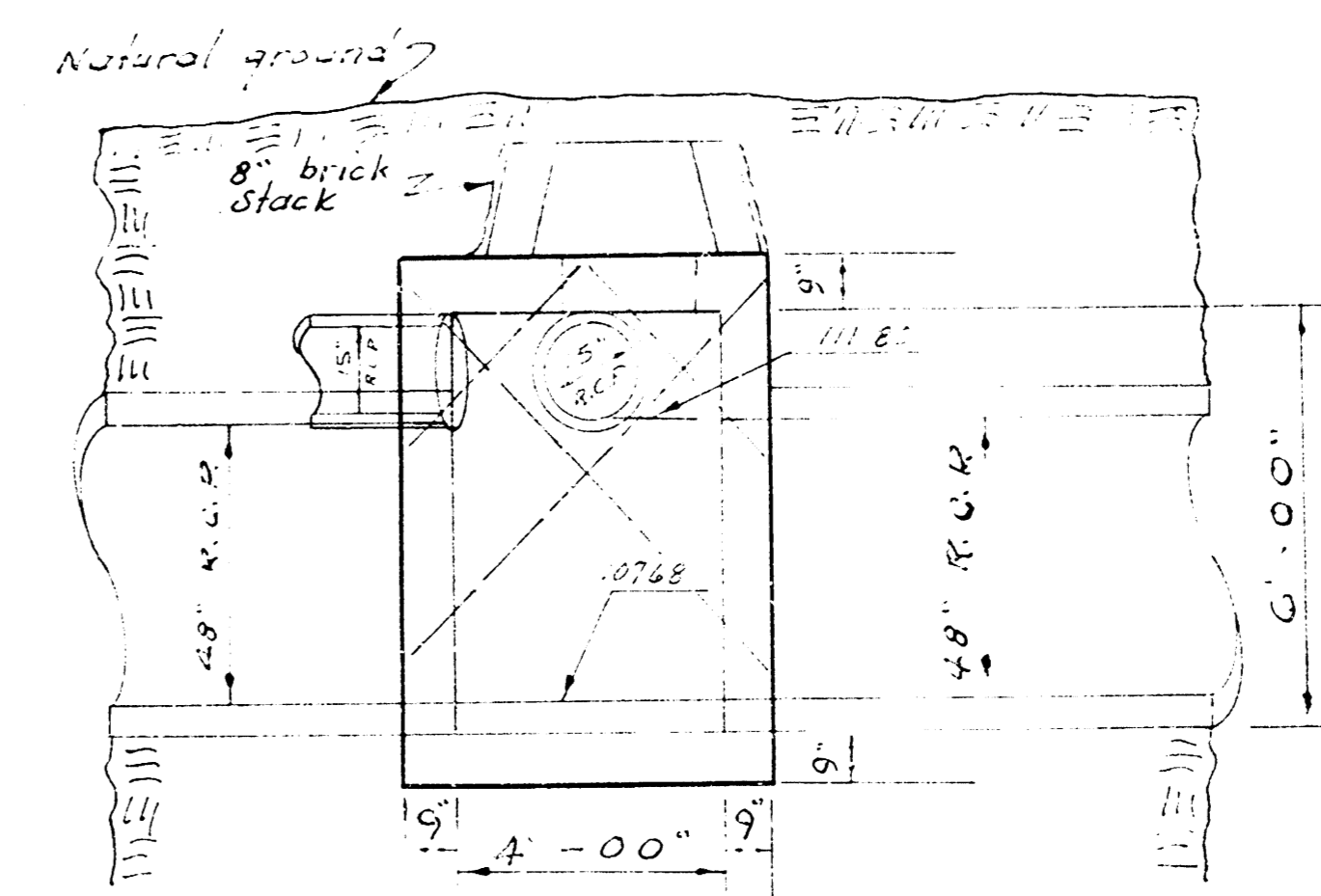
PLAN
Sta. 11+03.0



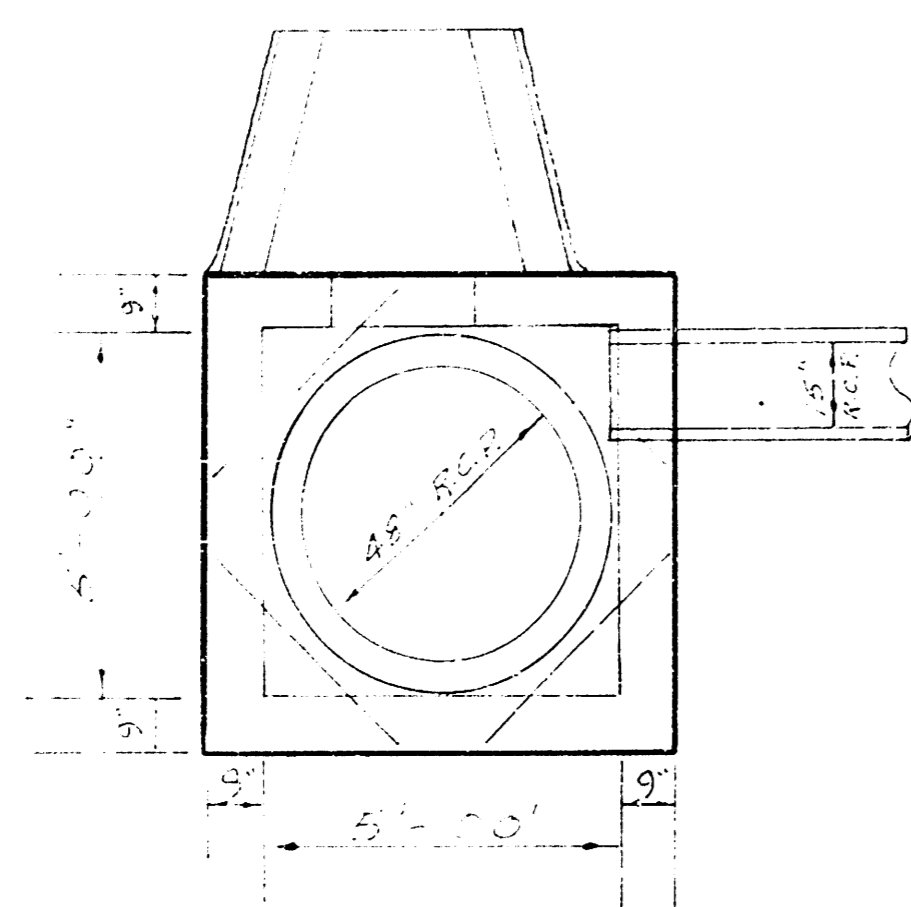
ELEVATION
Sta. 7+25.6
See sheet No. 3
Reinf. Conc. M. H.
Brick Stack



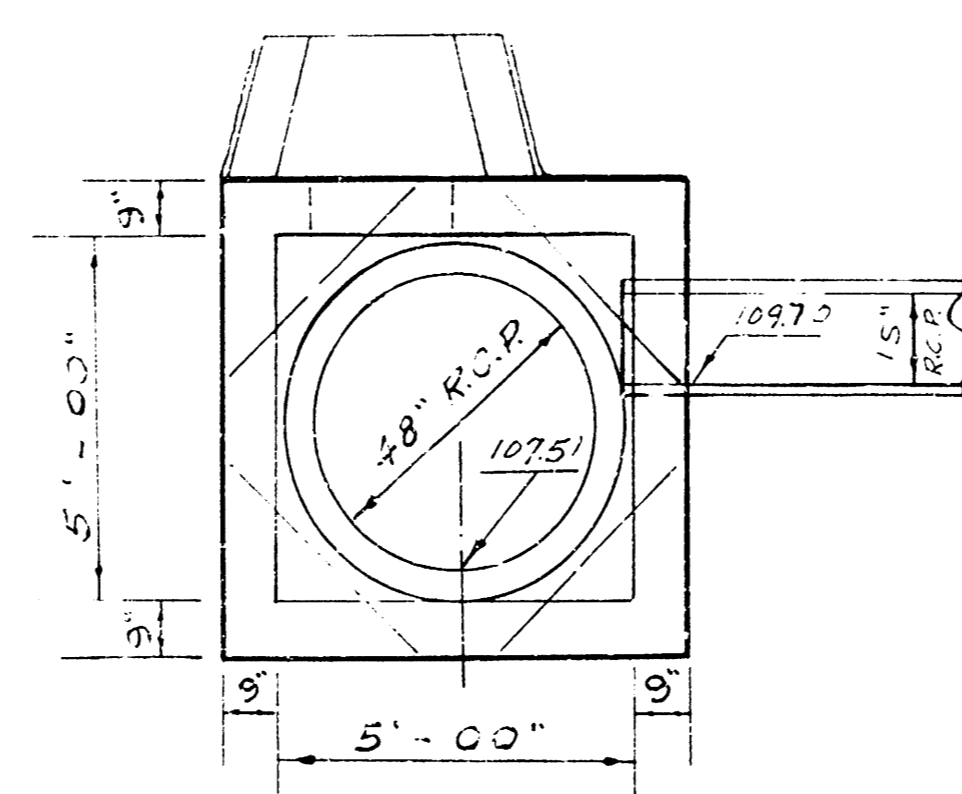
ELEVATION
Sta. 10+24.6
See sheet No. 3
Reinf. Conc. M. H. with
Brick Stack



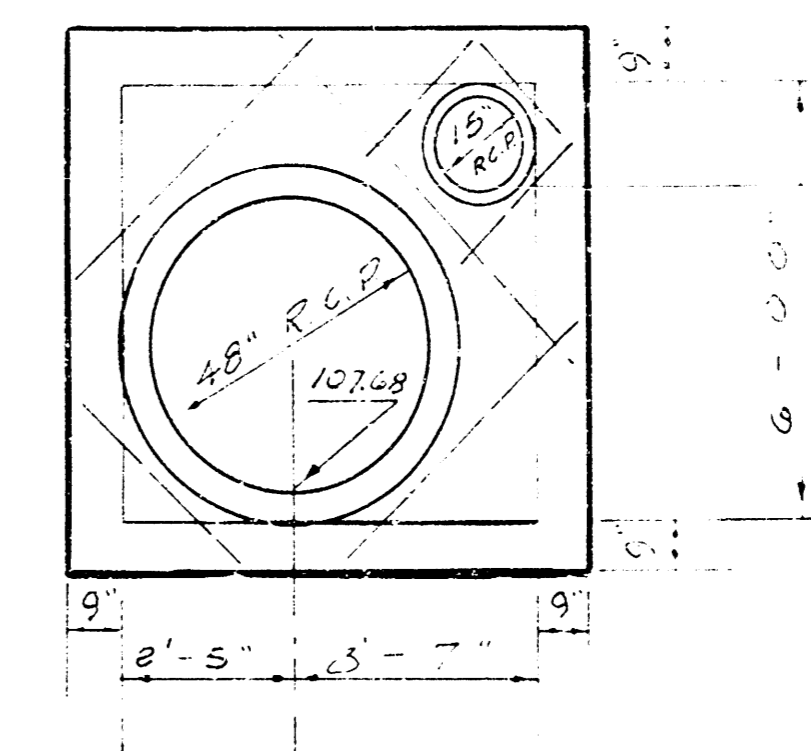
ELEVATION
Sta. 11+03.0
See sheet No. 4
Reinf. Conc. M. H.
Brick Stack



Section A-A
Sta. 7+25.6

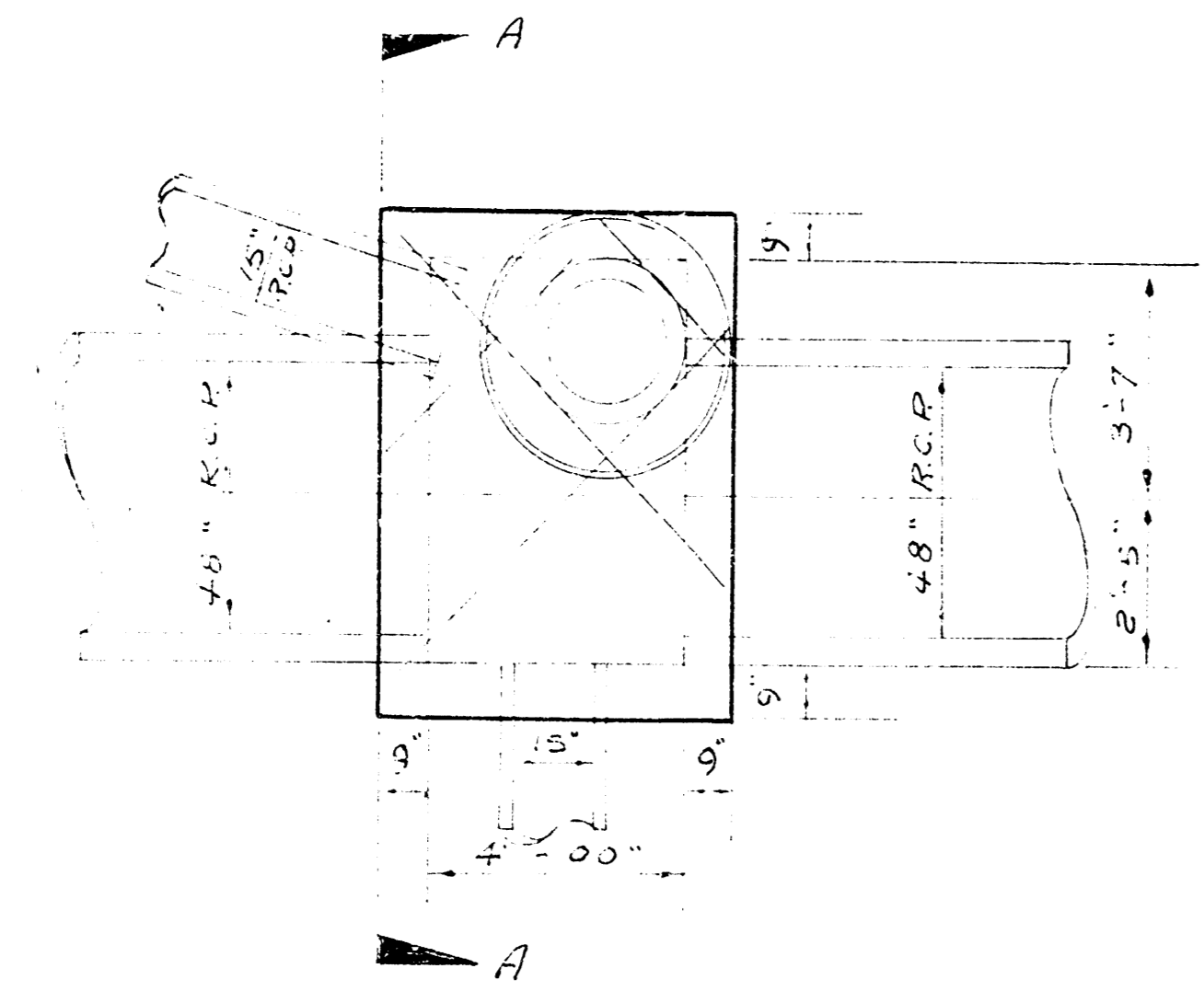


Section A-A
Sta. 10+24.6

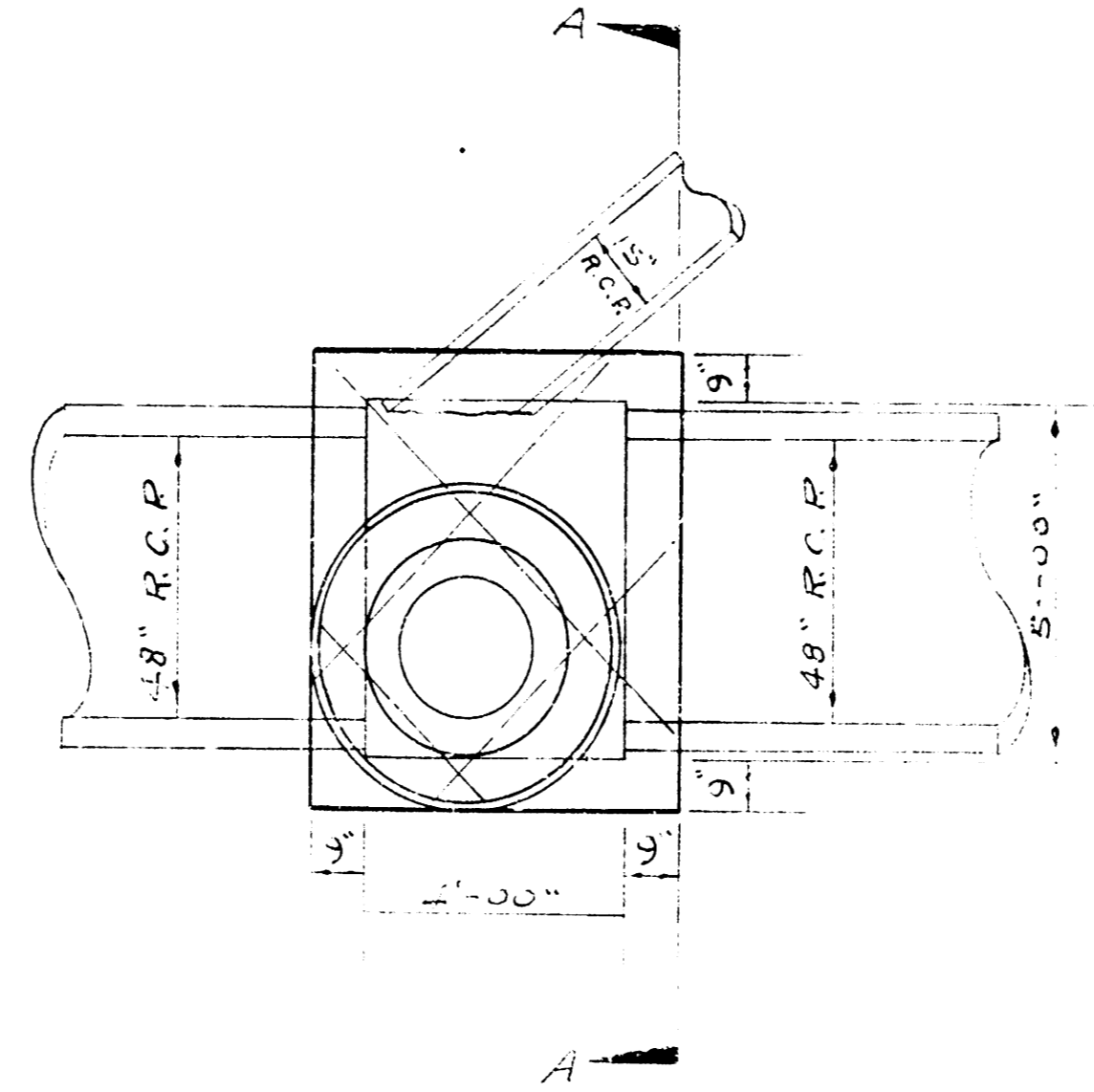


Section A-A
Sta. 11+03.0

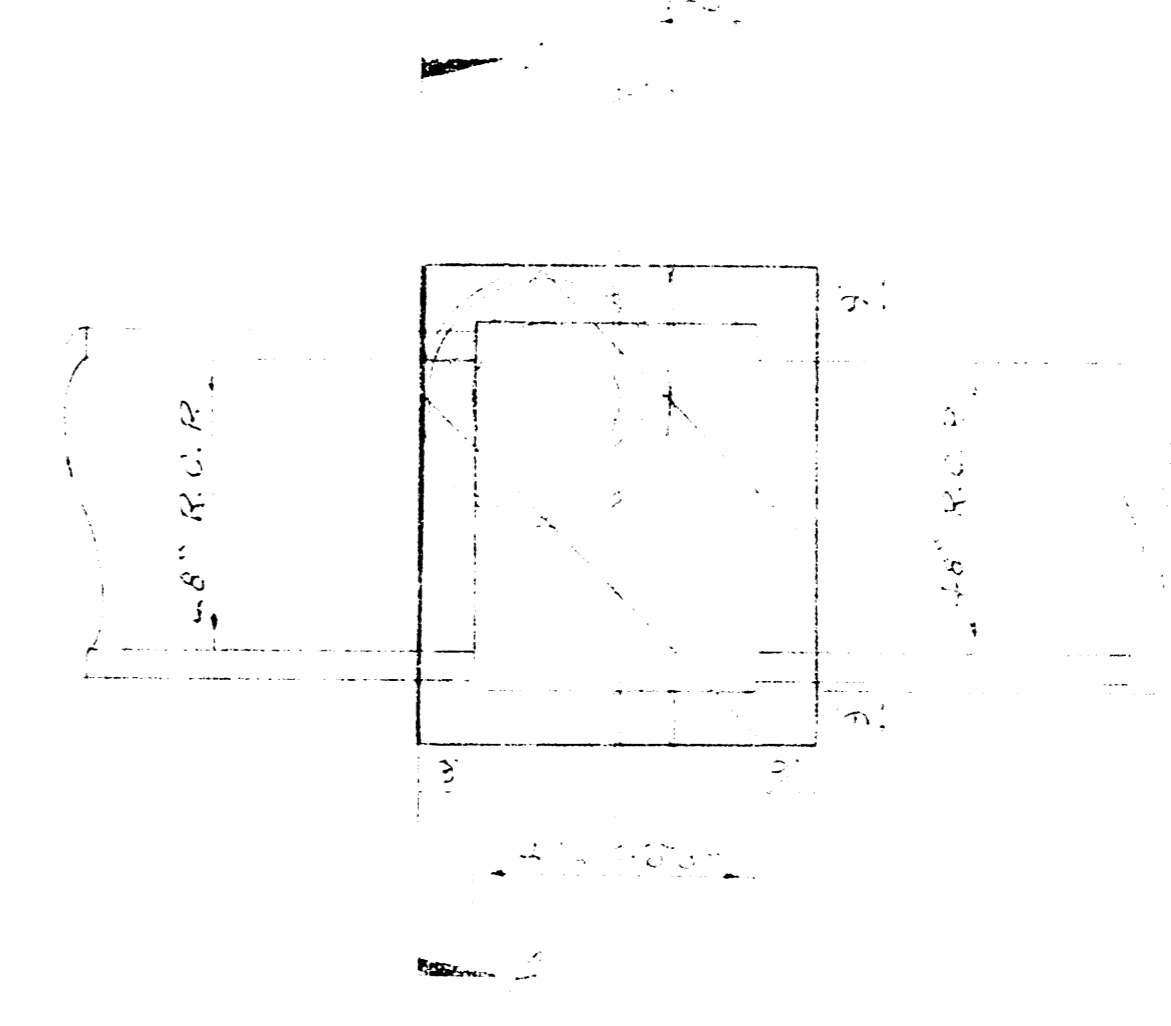
Revised 12-12-69
Sta. 7+25.6 & Sta. 10+24.6



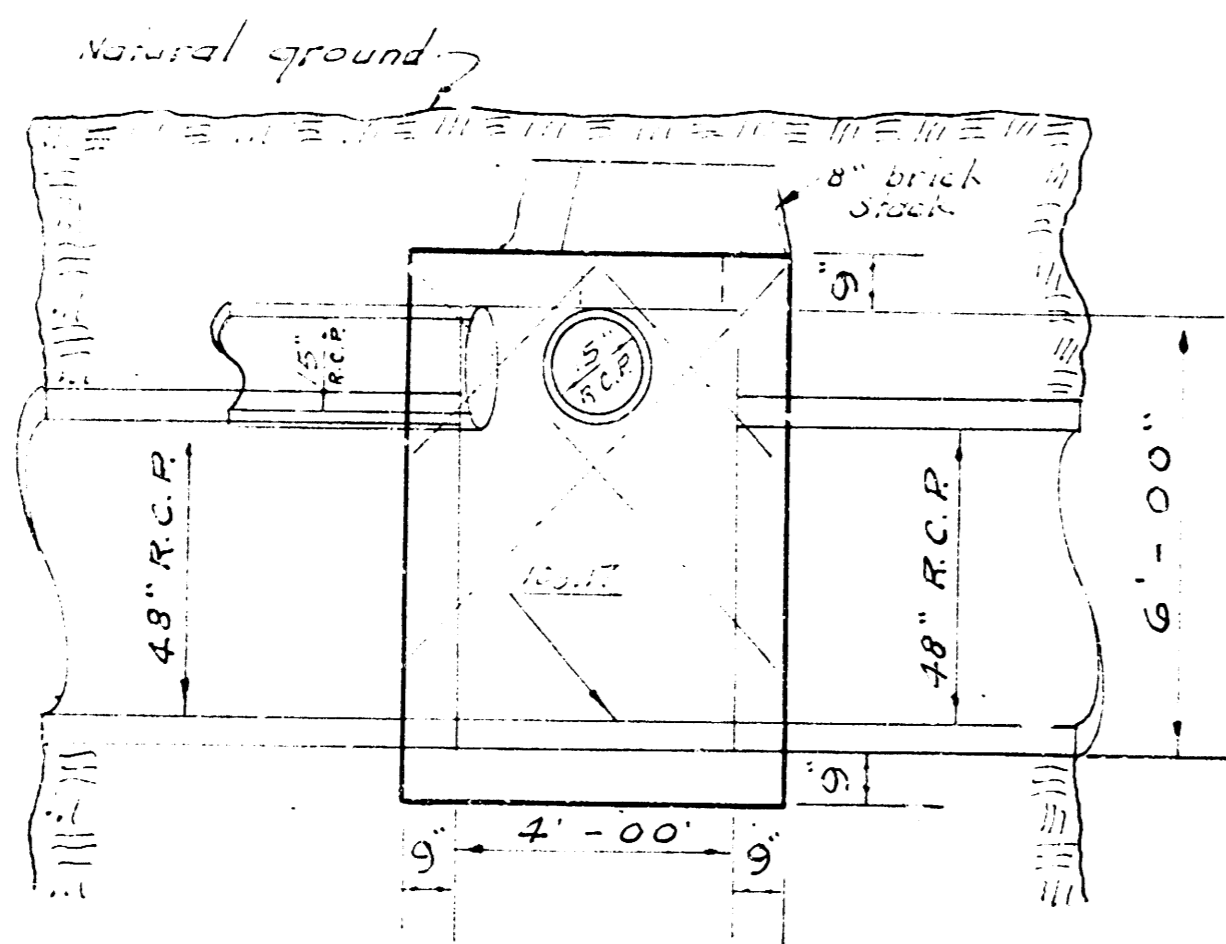
PLAN
Sta. 13+25.6



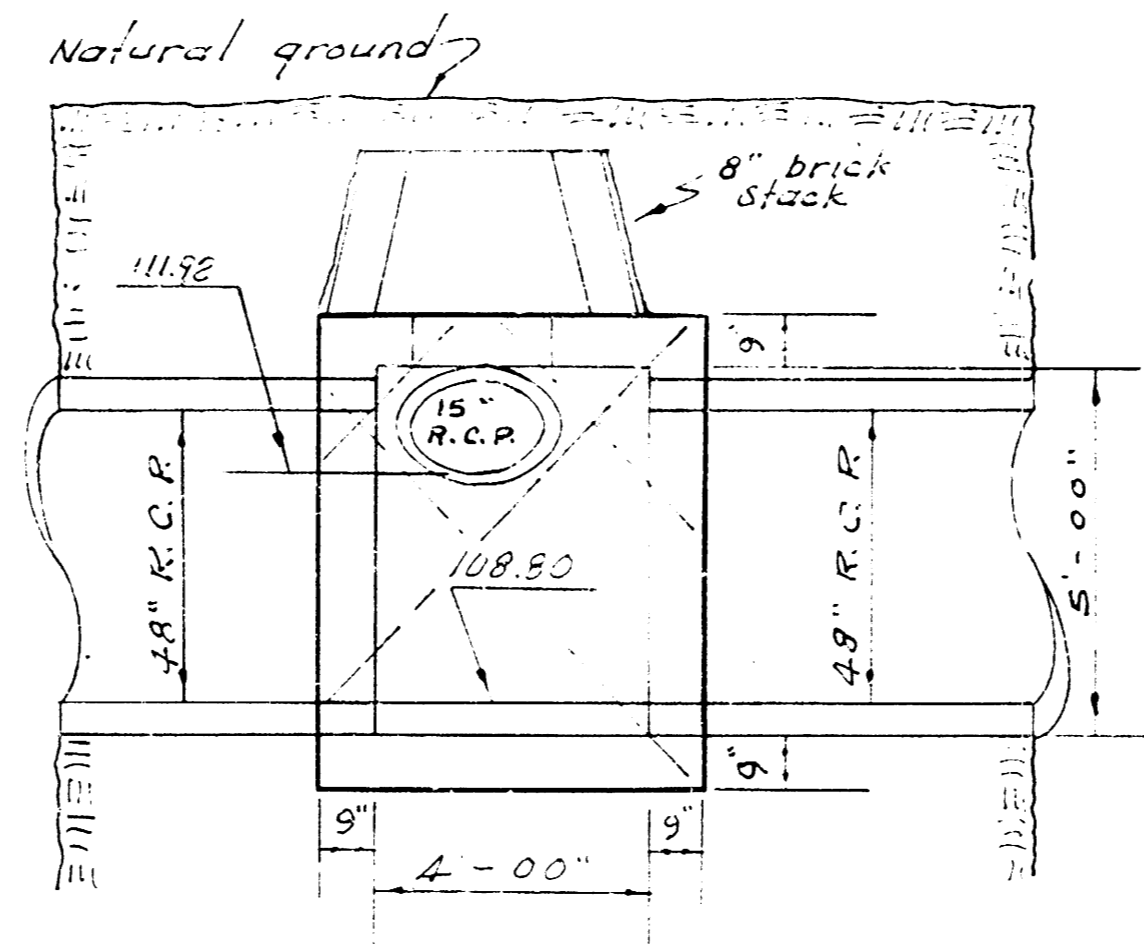
PLAN
Sta. 16+13.6



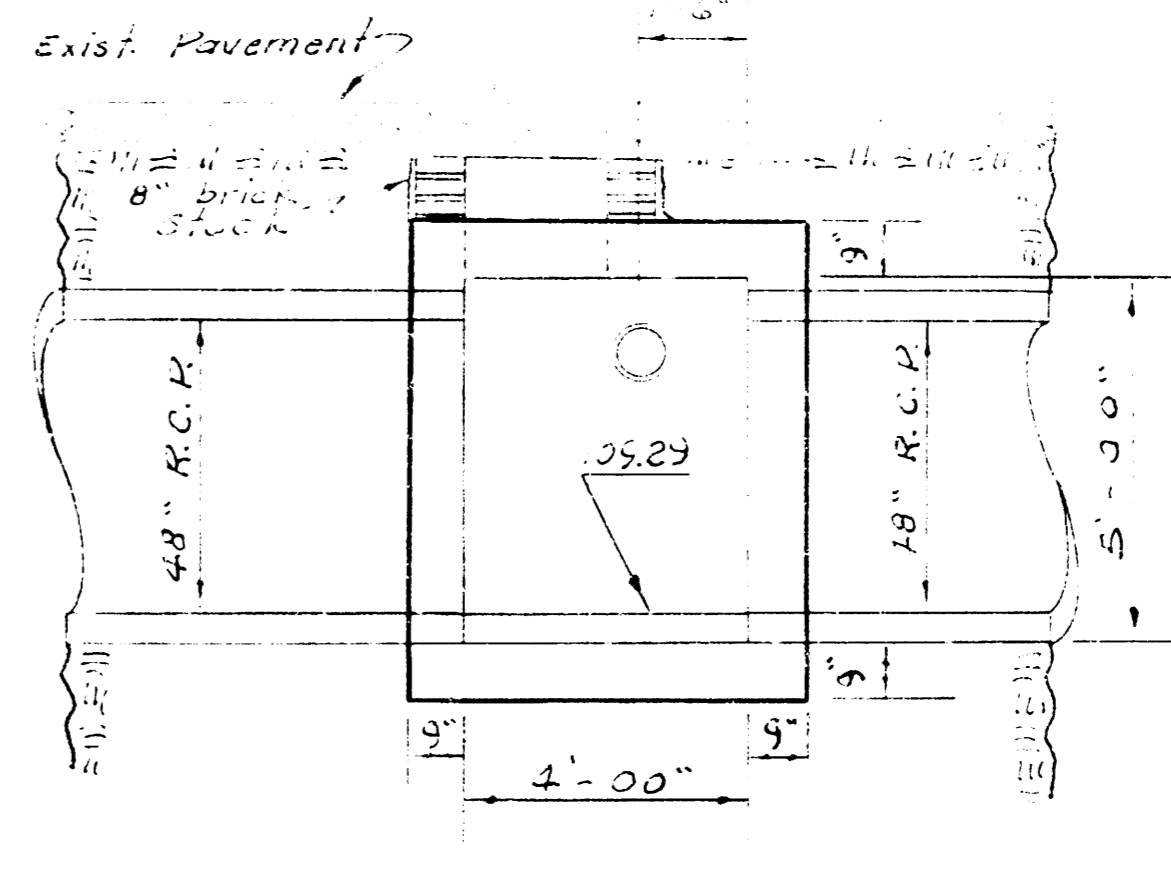
PLAN
Sta. 18+37.4



ELEVATION
Sta. 13+25.6
See sheet No. 4
Reinf. Conc. M. H.
Brick stack

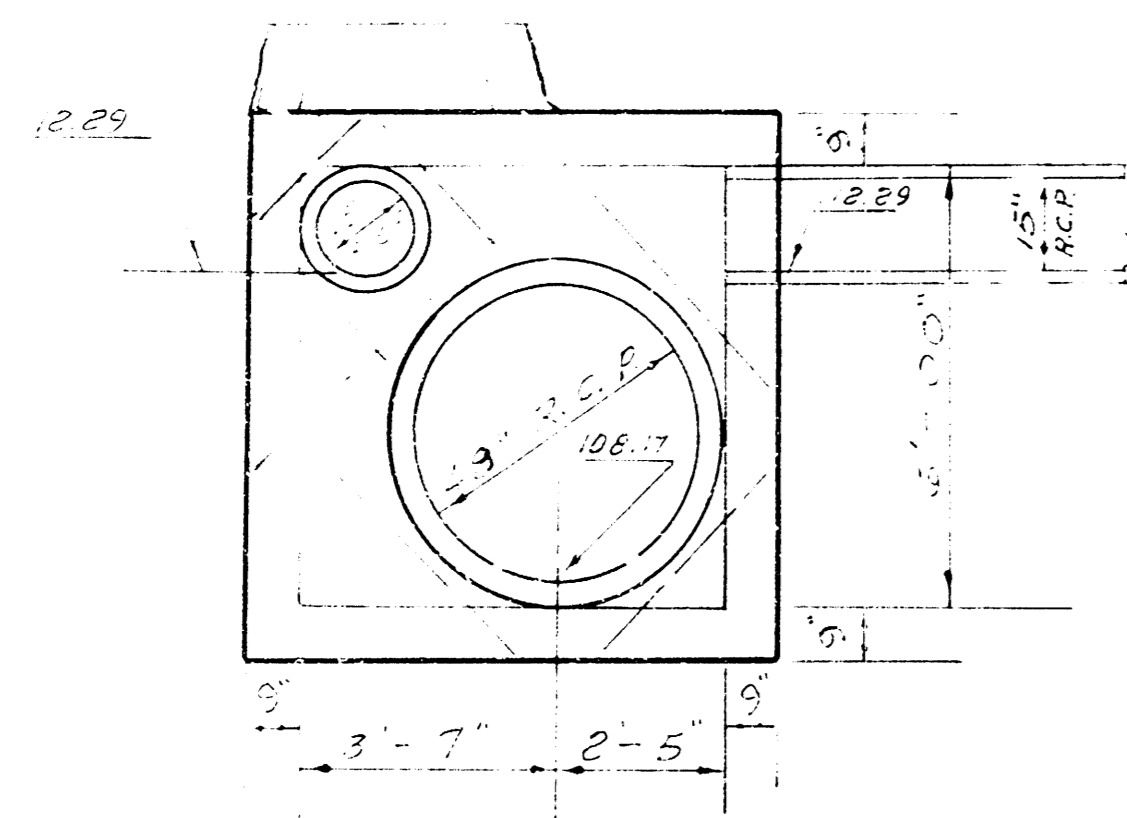


ELEVATION
Sta. 16+13.6
See sheet No. 4
Reinf. Conc. M. H.
Brick stack

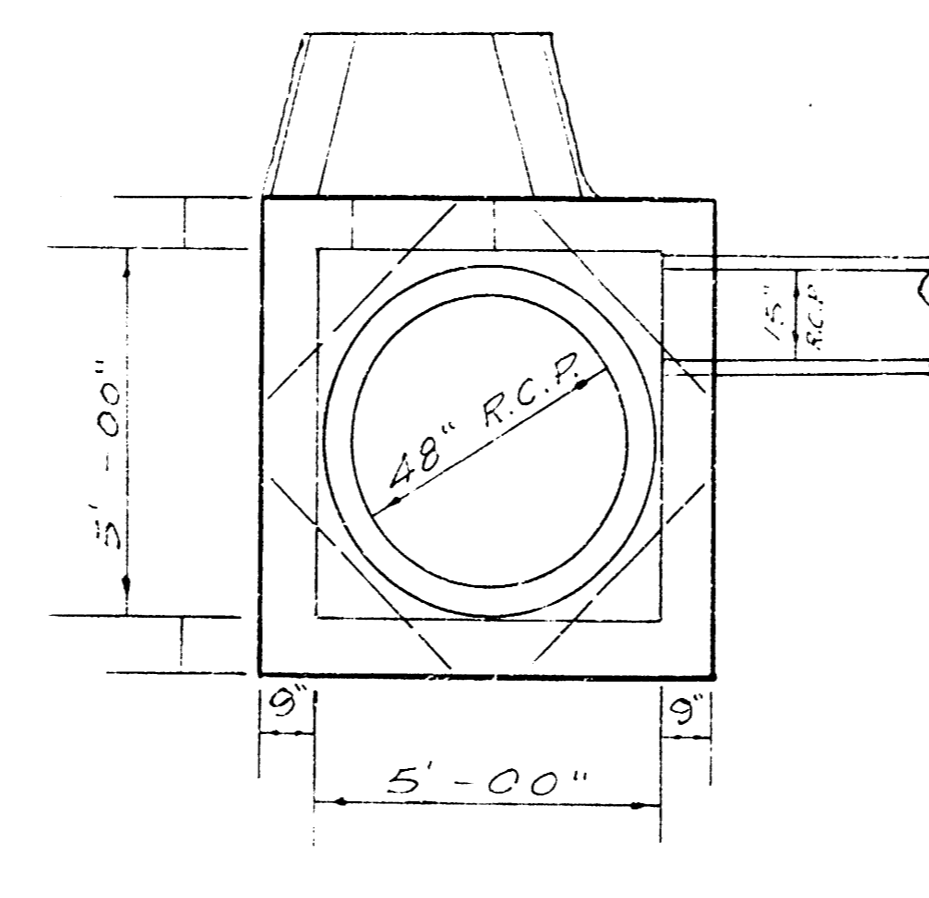


ELEVATION
Sta. 18+37.4
See sheet No. 5
Reinf. Conc. M. H.
Brick stack

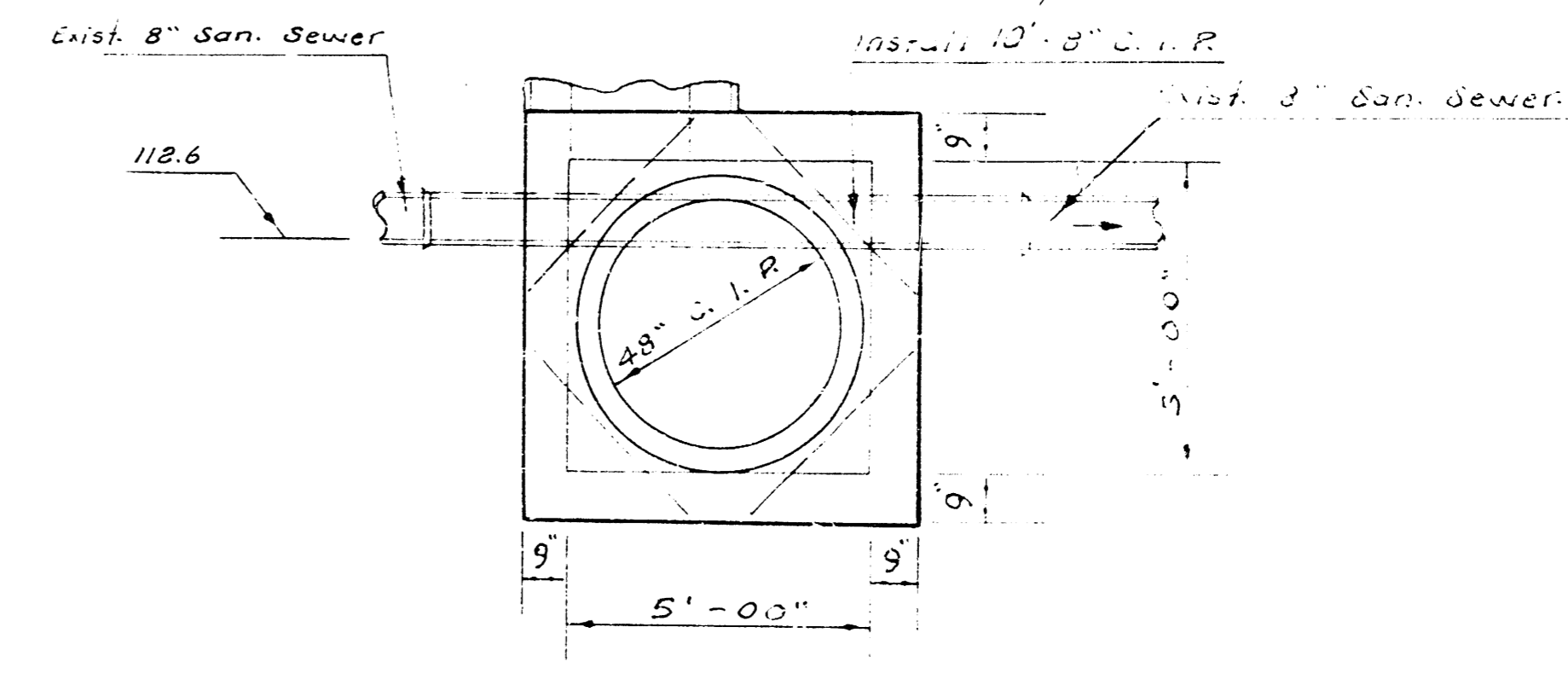
NOTE:
Cast iron pipe to be
included in cost of M. H.



SECTION A-A
Sta. 13+25.6

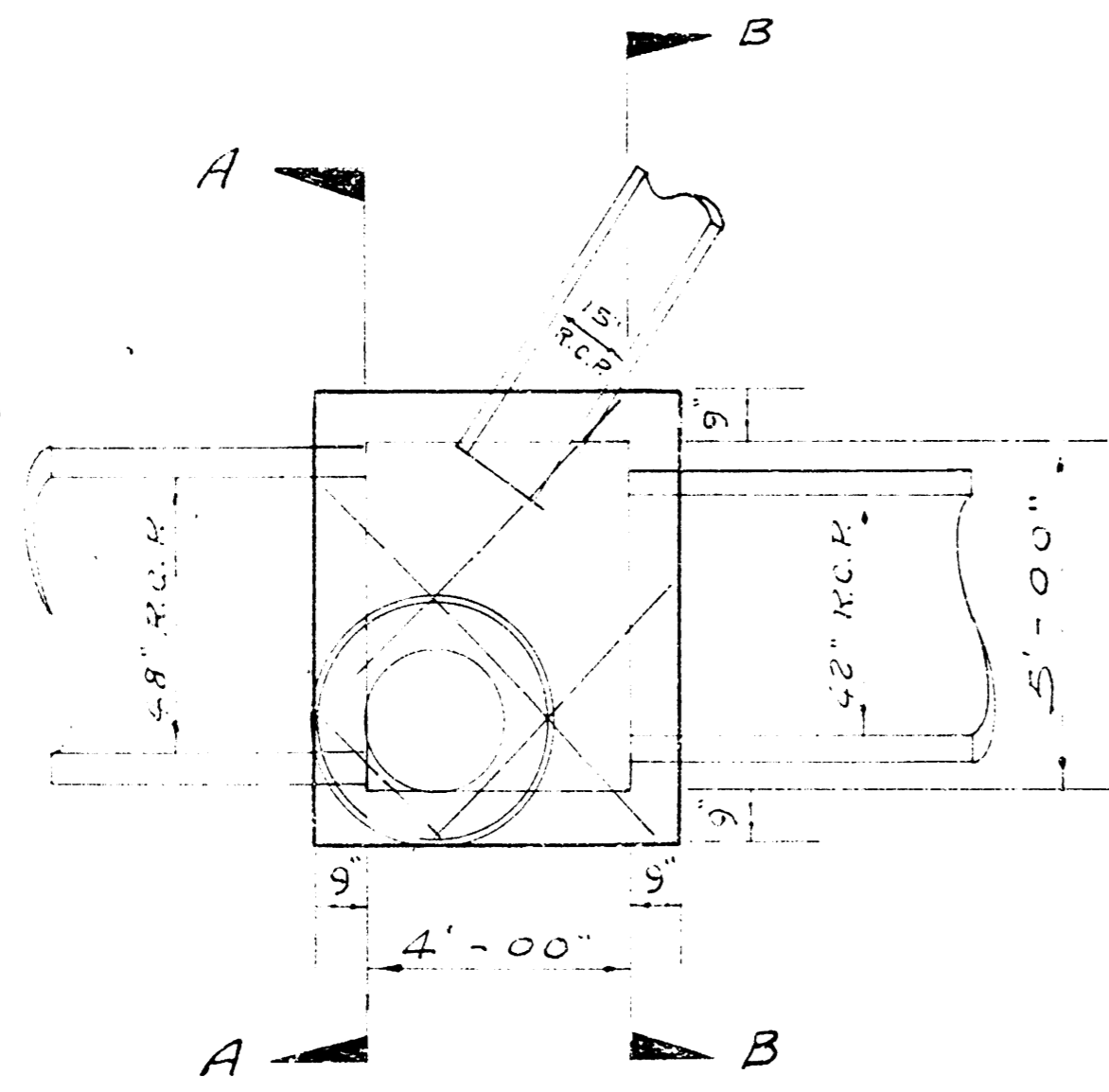


SECTION A-A
Sta. 16+13.6

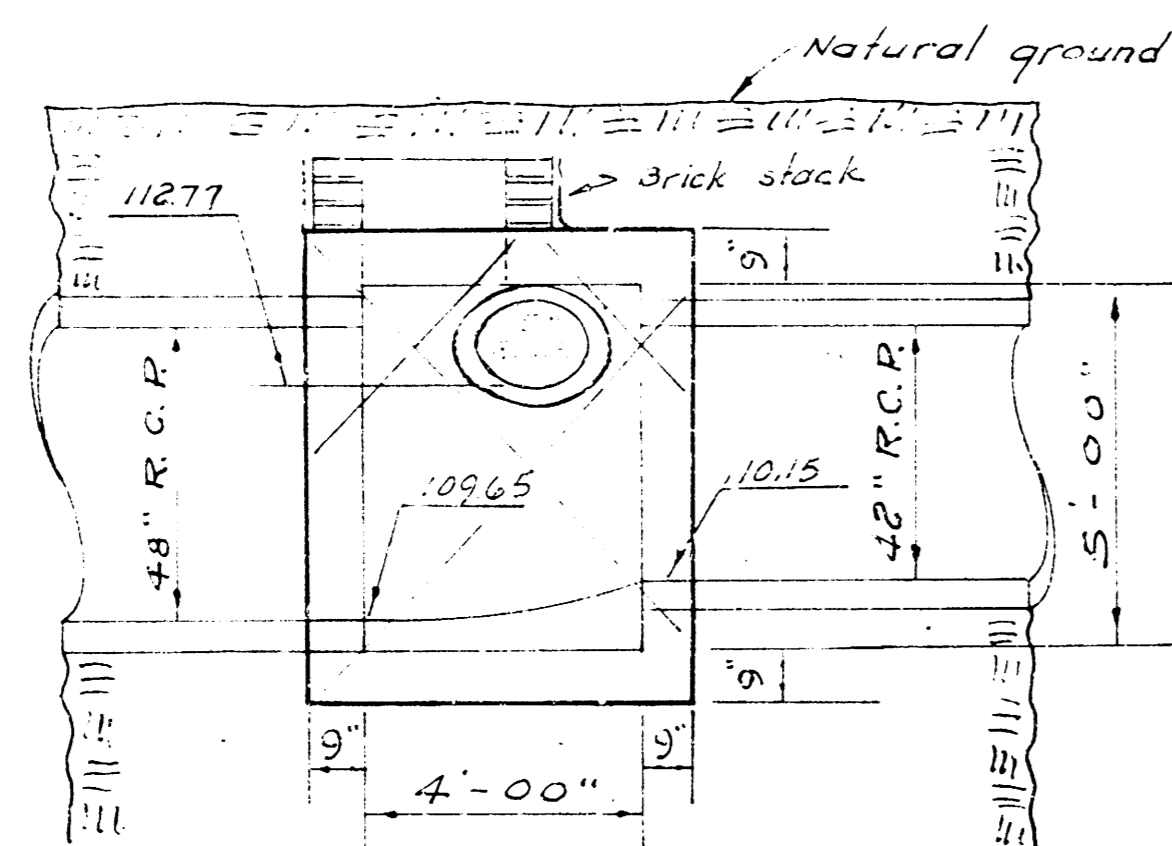


SECTION A-A
Sta. 18+37.4

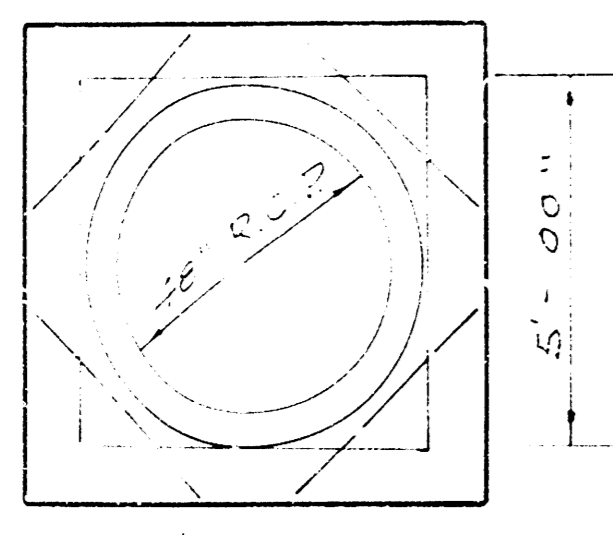
Scale
3/8" = 1'-00"



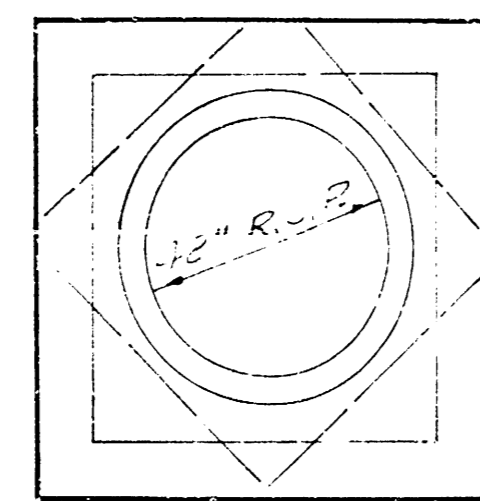
PLAN
Sta. 19+98.6



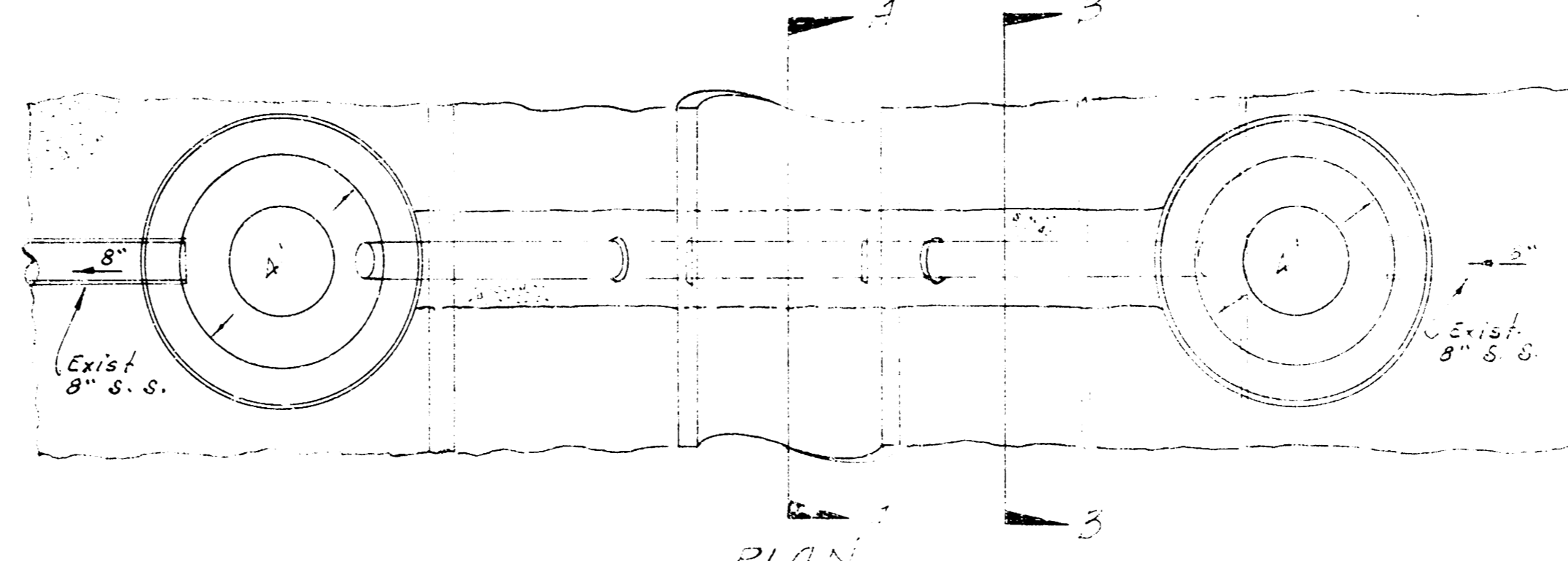
ELEVATION
Sta. 19+98.6
See sheet No. 5
Reinf. Conc. M.H.
Brick Stack



SECTION A-A
Sta. 19+98.6



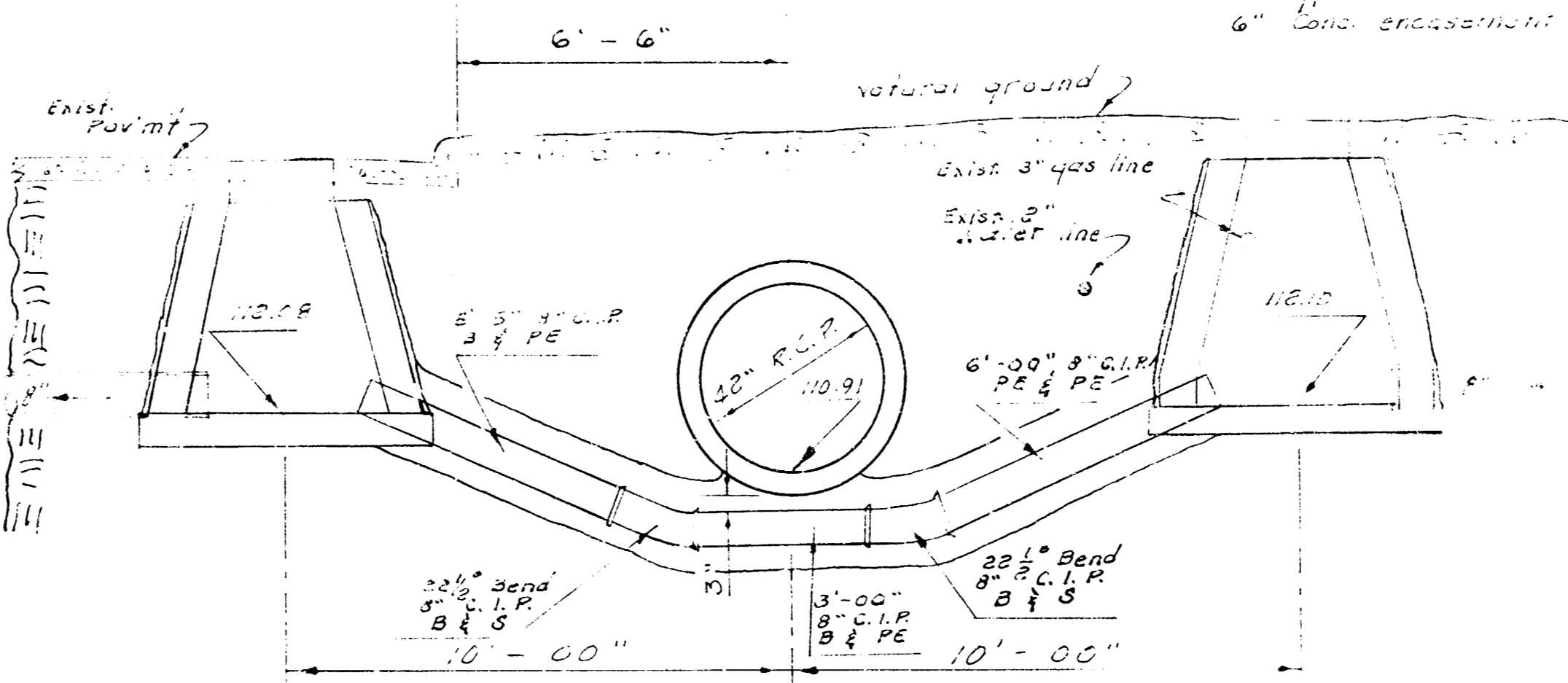
SECTION B-B
Sta. 19+98.6



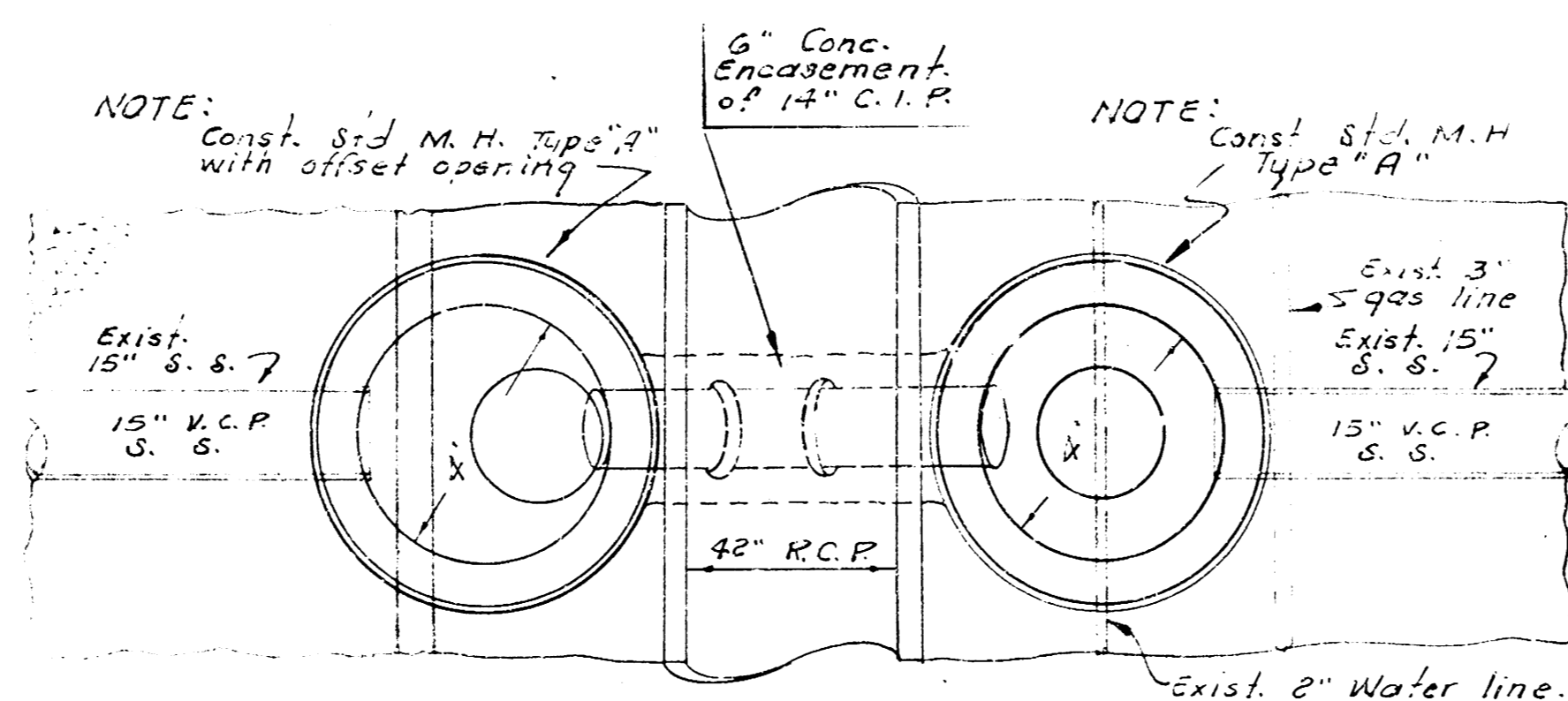
PLAN

Sta. 22+08.6
See sheet No. 6

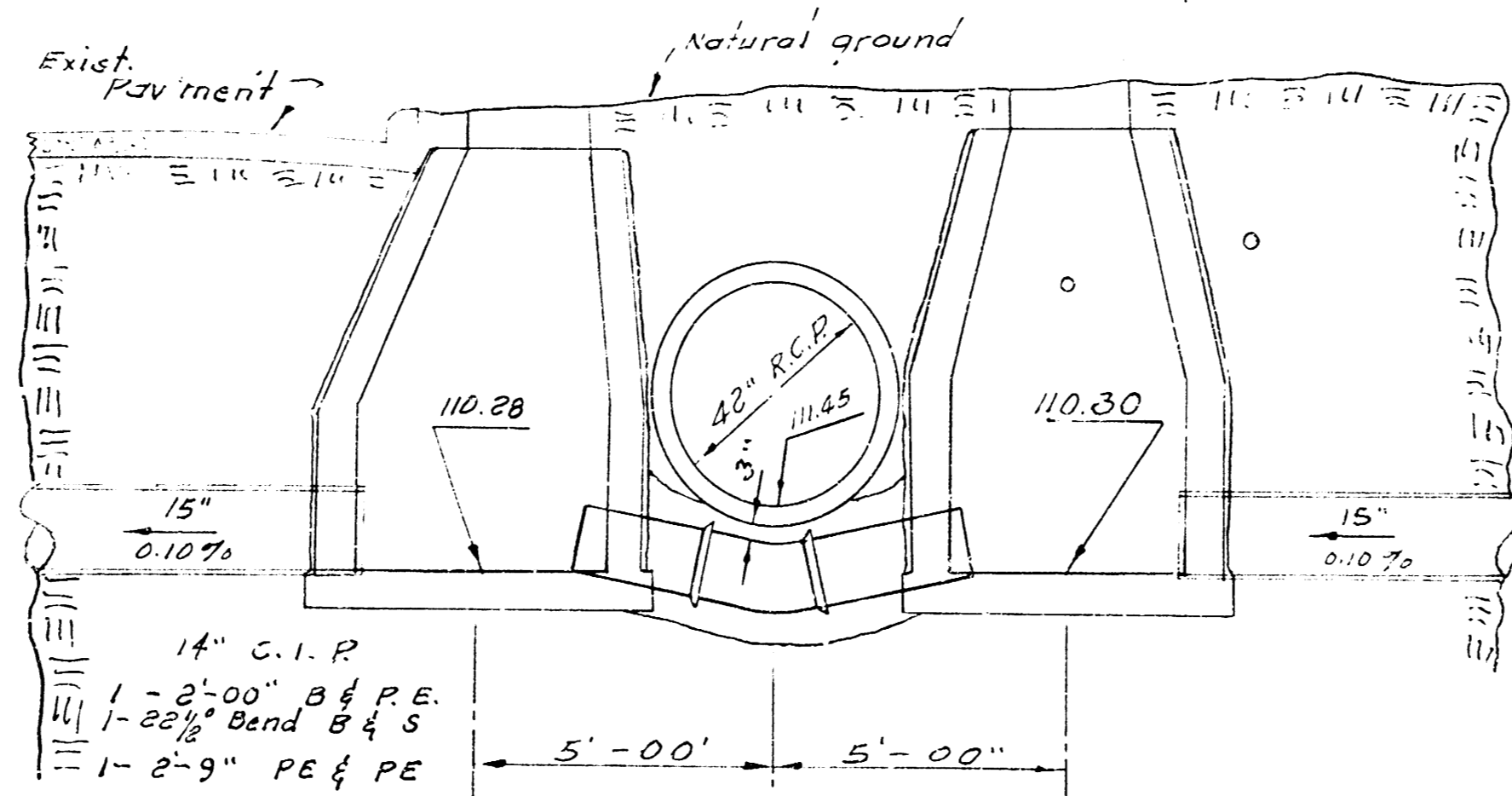
NOTE:
Const. Std. manholes
Type "A"
6" Conc. encasement of 8" C.I.P.



ELEVATION
San. Sewer Siphon
Sta. 22+08.6

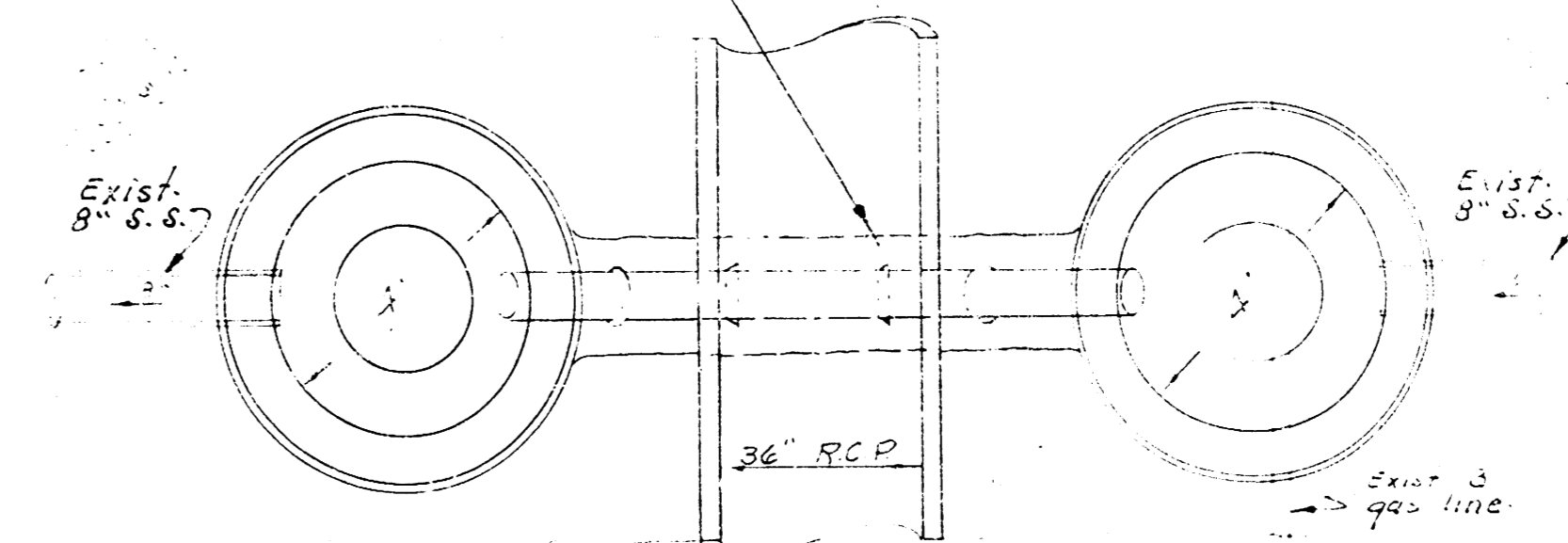


PLAN
Sta. 23+60.7
See sheet No. 6

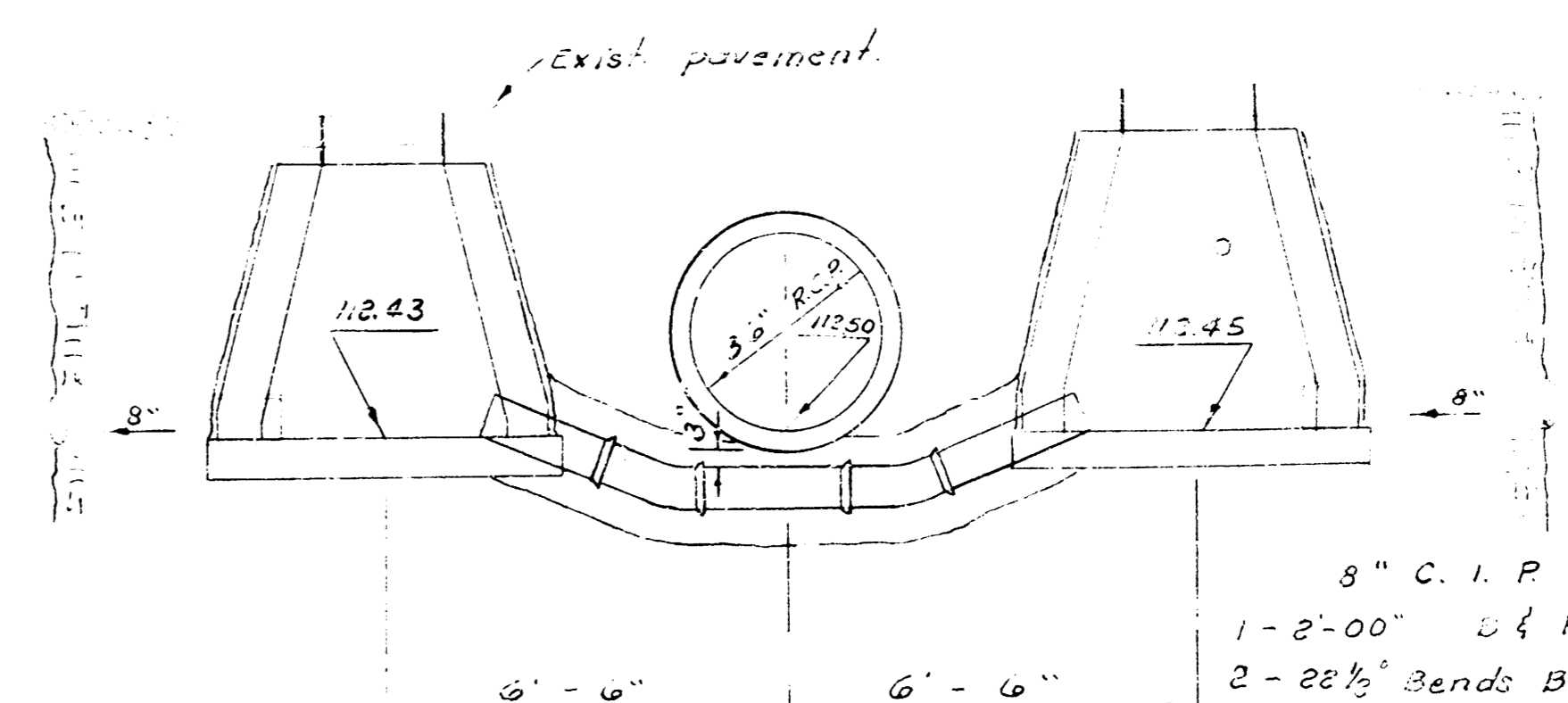


ELEVATION
San. Sewer Siphon
Sta. 23+60.7

NOTE:
Const. Std. manholes, Type "A"
6" Conc. encasement of 8" C.I.P.

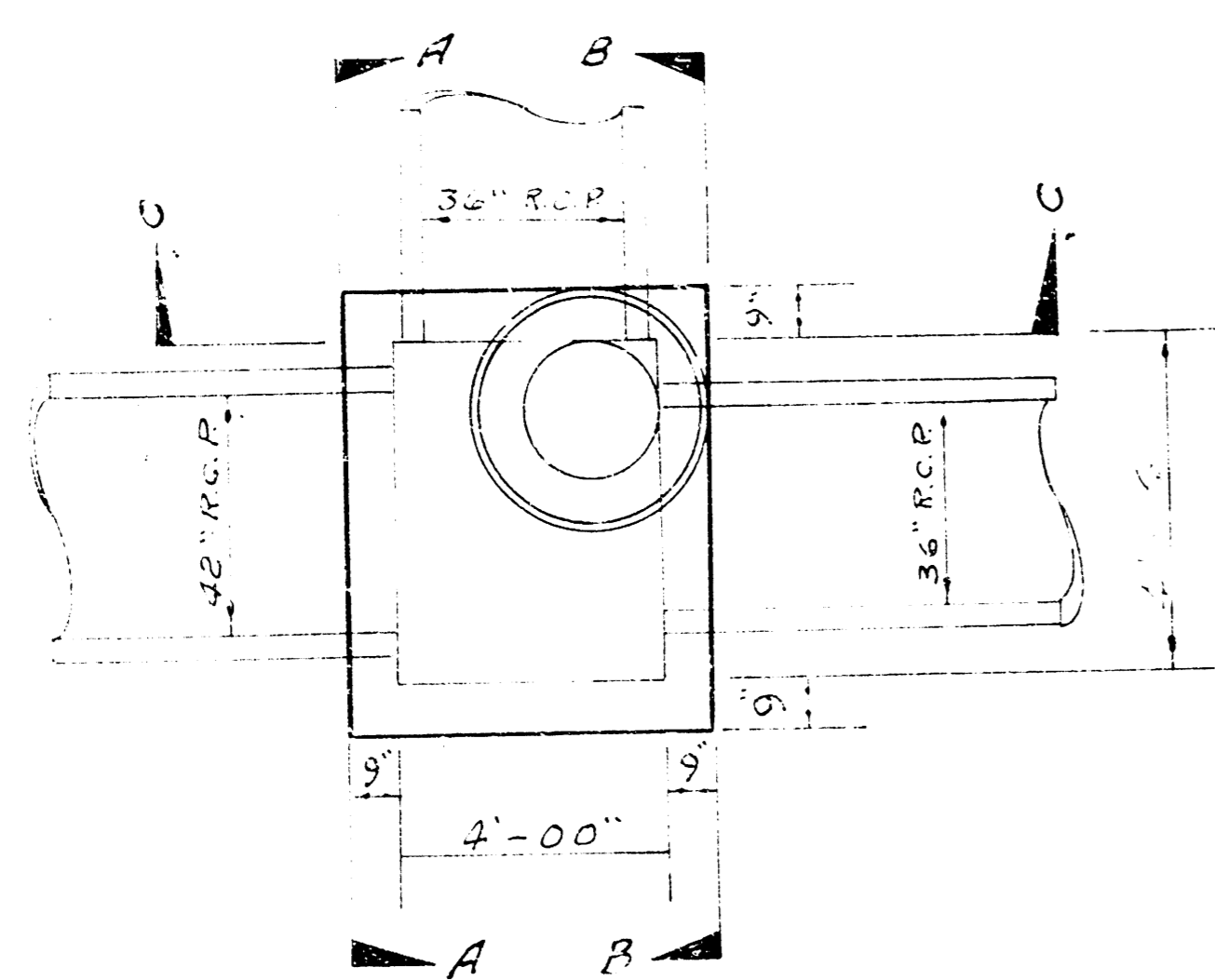


PLAN
Sta. 25+53.4
See sheet No. 6

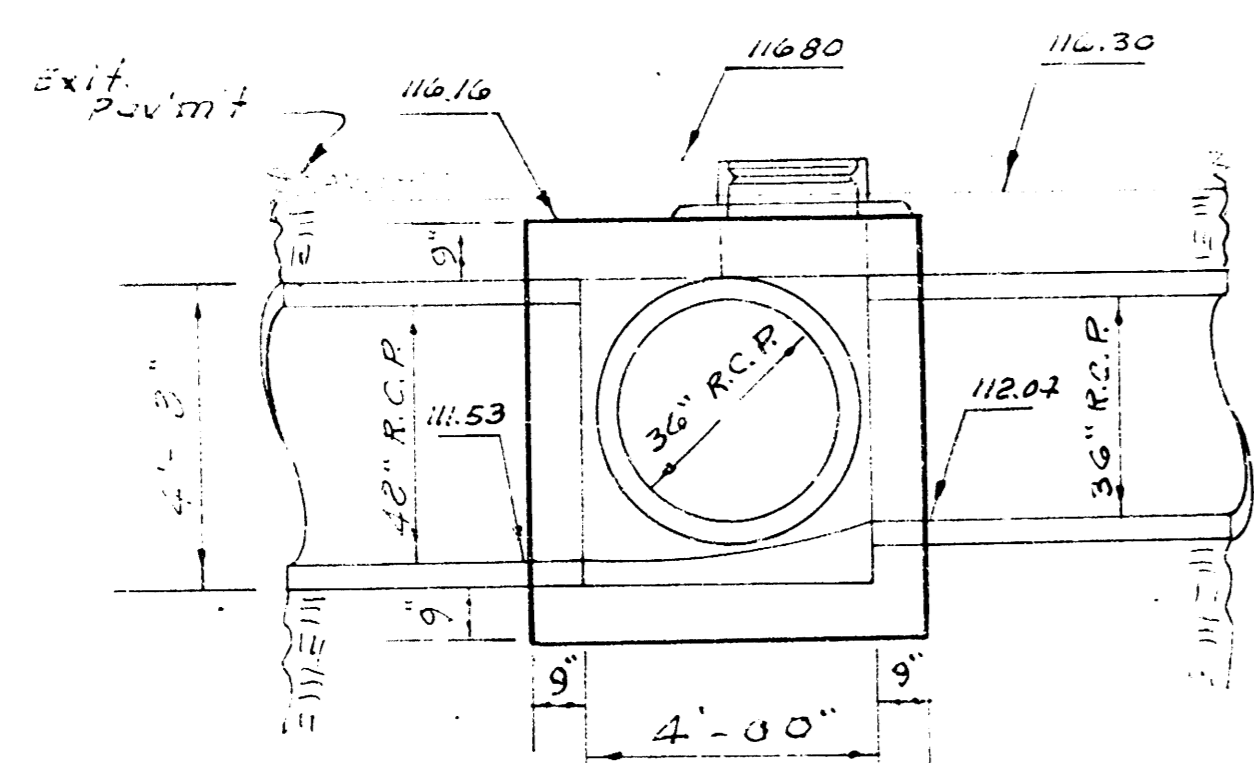


ELEVATION
San. Sewer Siphon
Sta. 25+53.4

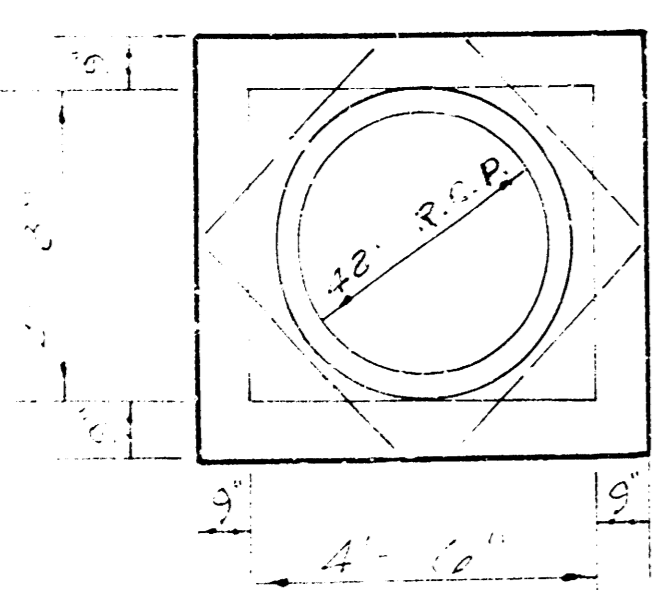
Scale 3/8" = 1'-00"



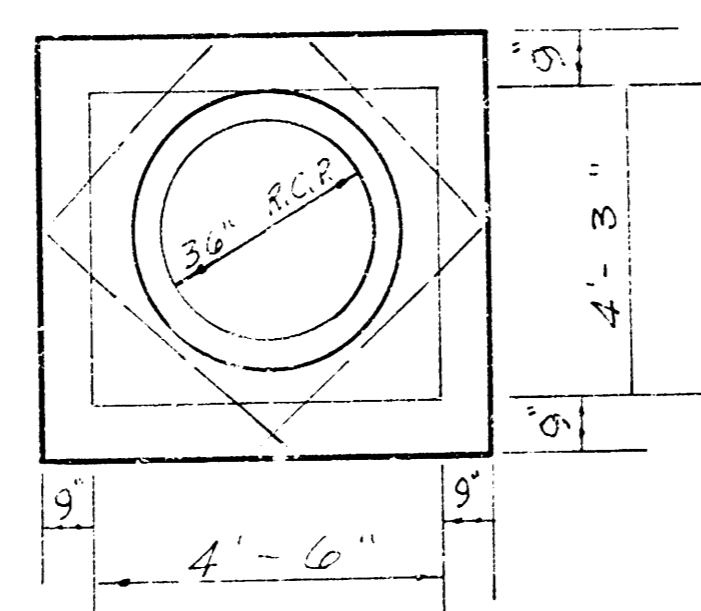
PLAN
Sta. 23+81.6



ELEVATION
Sta. 23+81.6
See sheet No. 6
Reinf. Conc. M.H.

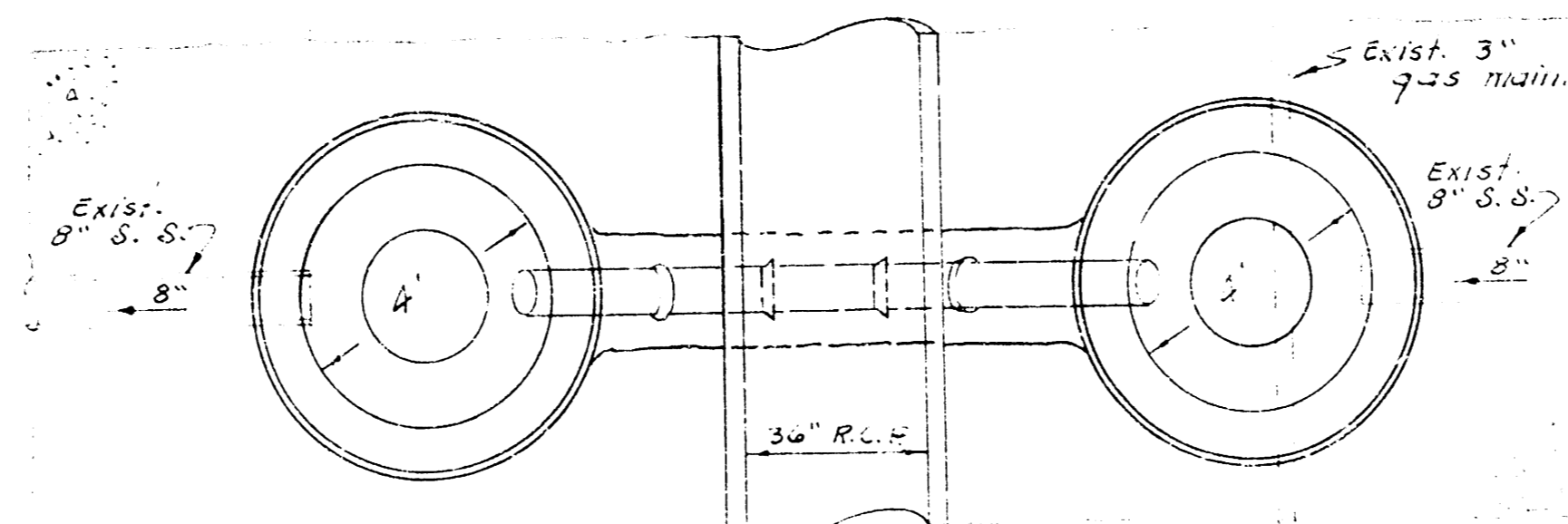


SECTION A-A
Sta. 23+81.6

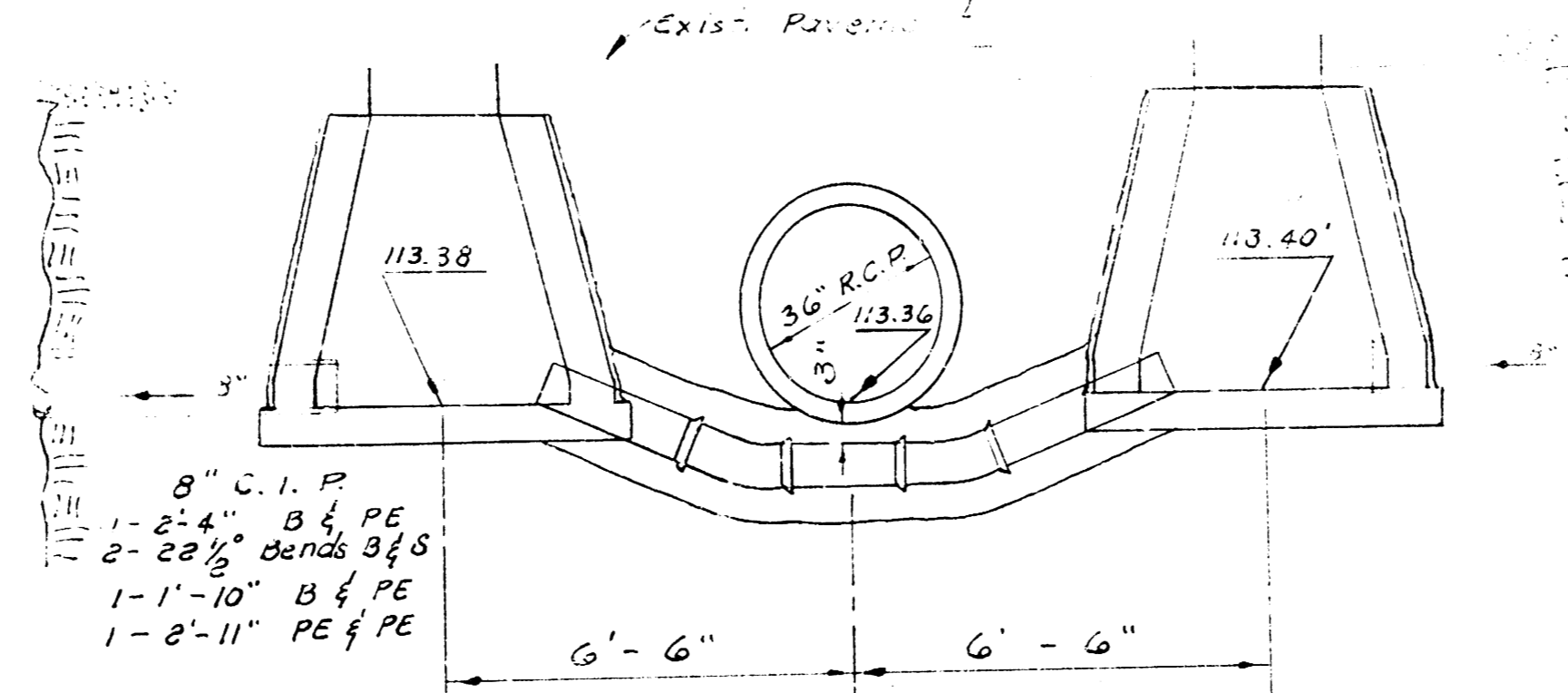


SECTION B-B
Section C-C
Sta. 23+81.6
1/2" extra steel
Pattern only.

NOTE: Install std. manholes type "A"
6" Conc. encasement of 8" C.I.P.

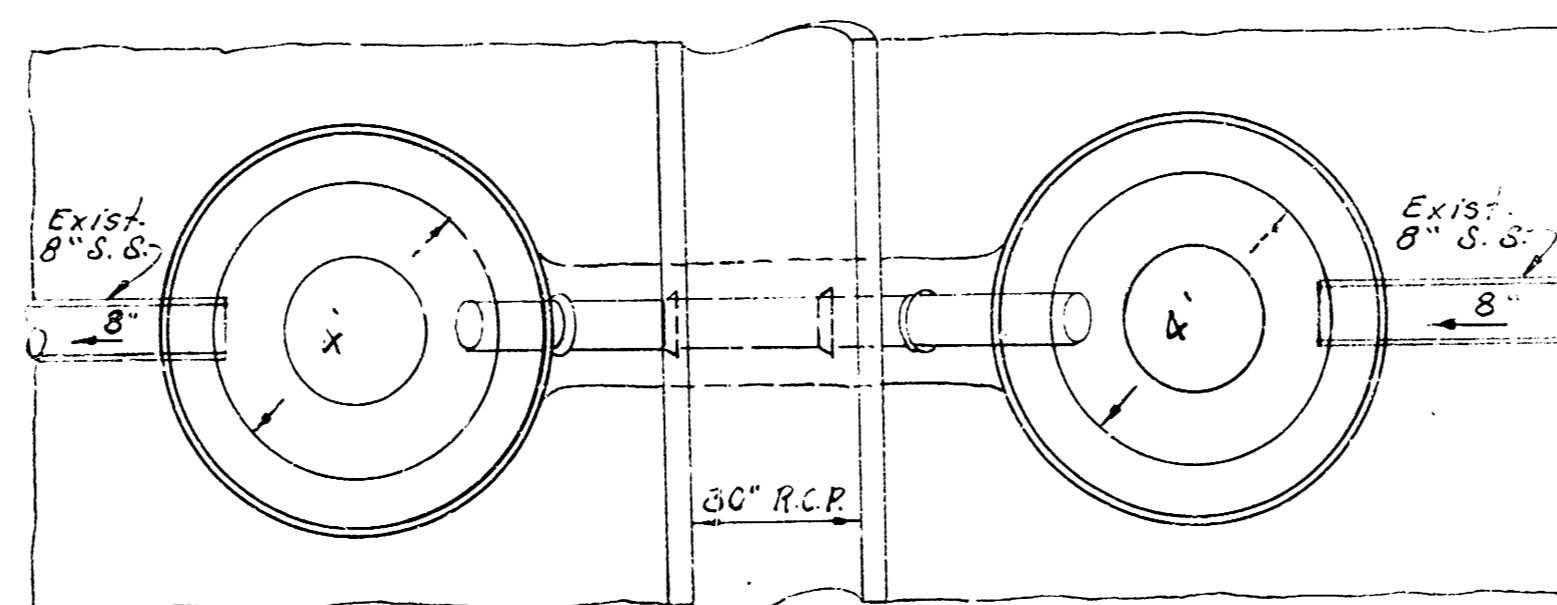


PLAN
Sta. 28+86.0
See sheet No. 7

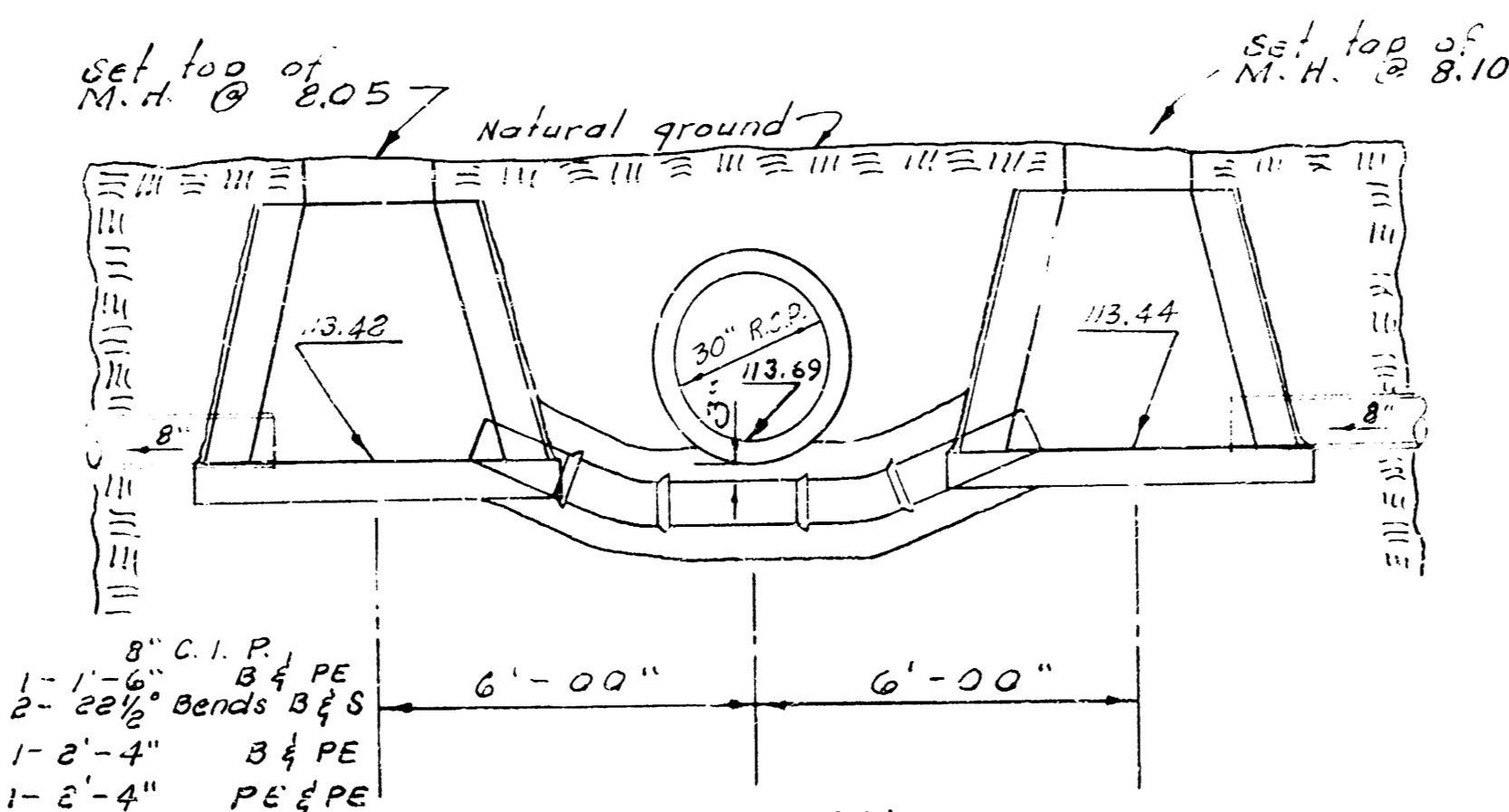


ELEVATION
San. sewer siphon
Sta. 28+86.0

NOTE: Install std. manholes type "A"
6" Conc. encasement of 8" C.I.P.

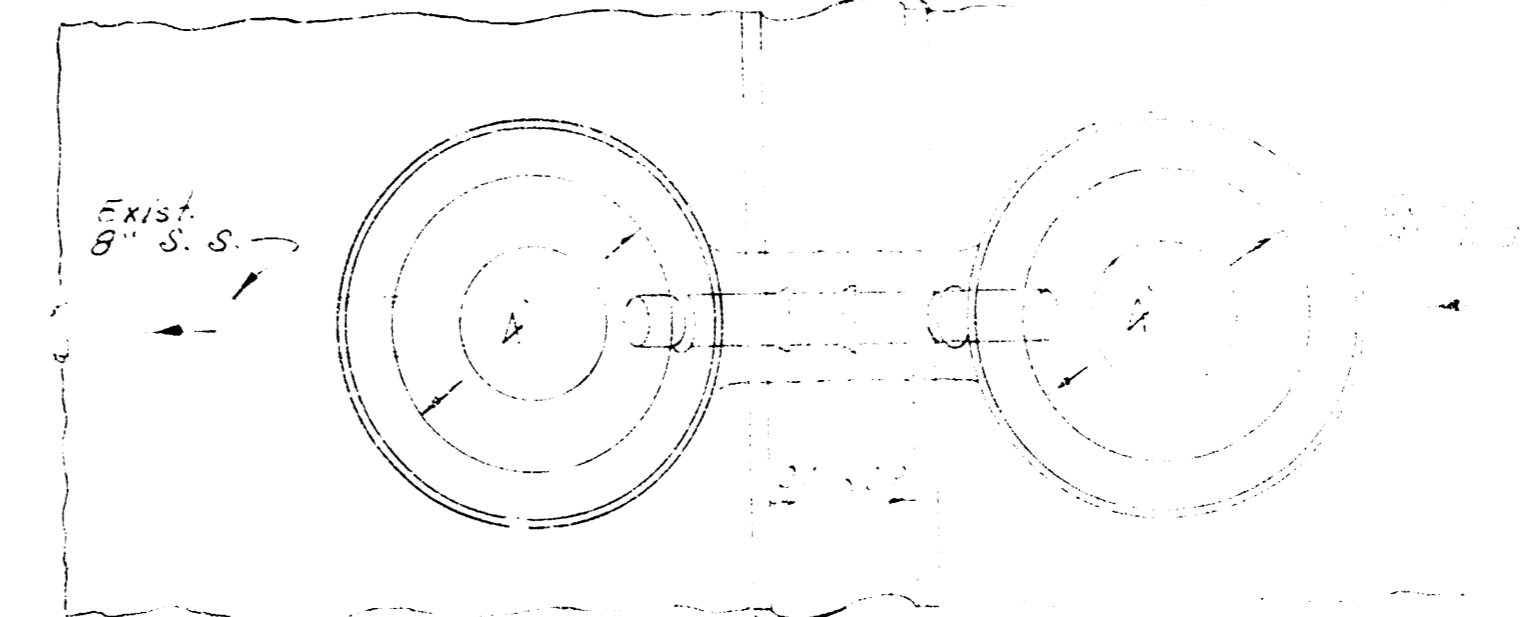


PLAN
Sta. 8+16.3 Line No. 2
See sheet No. 13

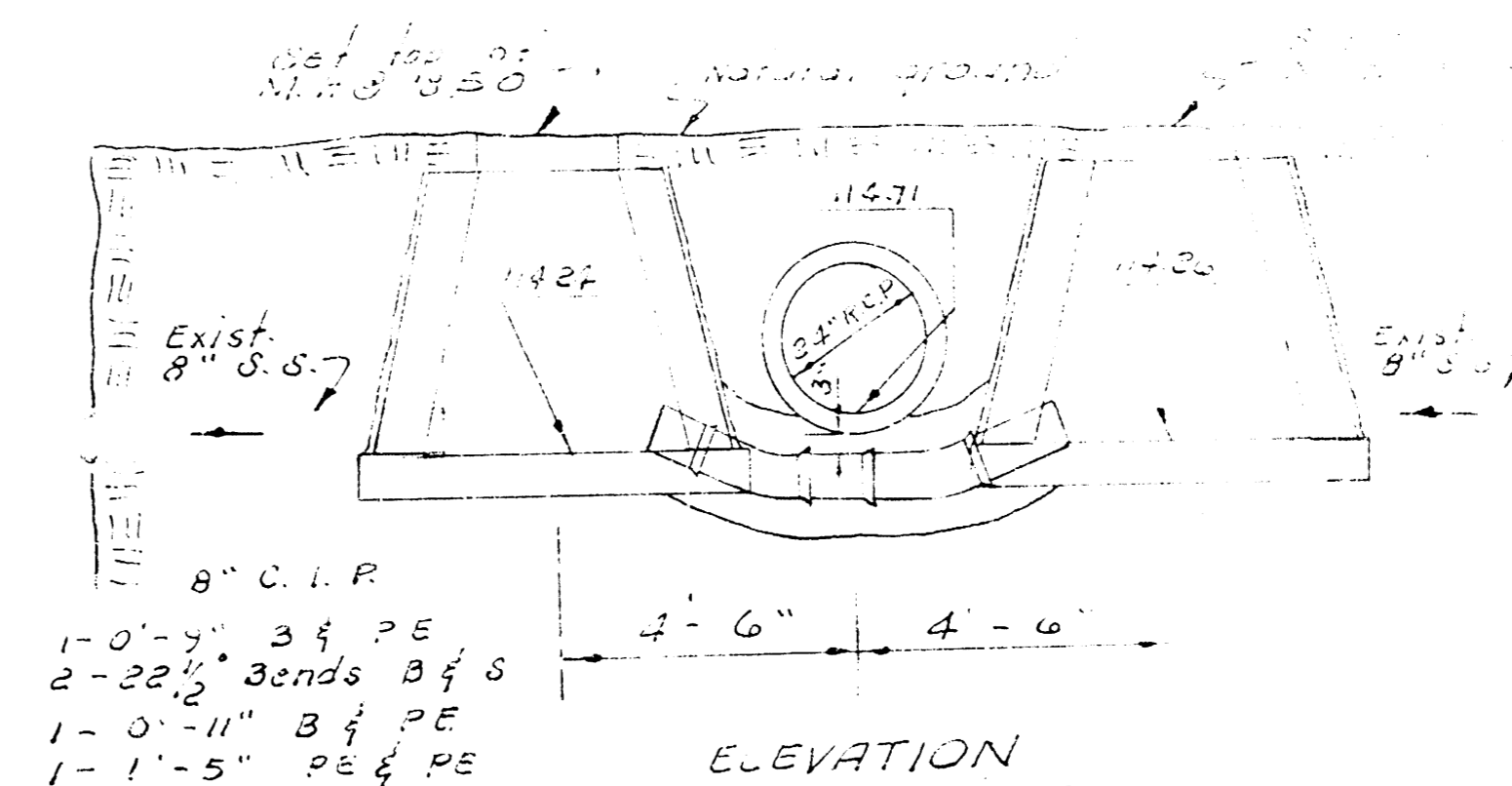


ELEVATION
San. sewer siphon
Sta. 8+16.3 Line No. 2

NOTE: Install std. manholes type "A"
6" Conc. encasement of 8" C.I.P.



PLAN
Sta. 11+46.5
Line No. 2
See sheet No. 14



ELEVATION
San. sewer siphon
Sta. 11+46.5 Line No. 2

Scale 3/8" = 1'-00"

STORM WATER SEWER NO. 87
PROJECT NO. C28-96