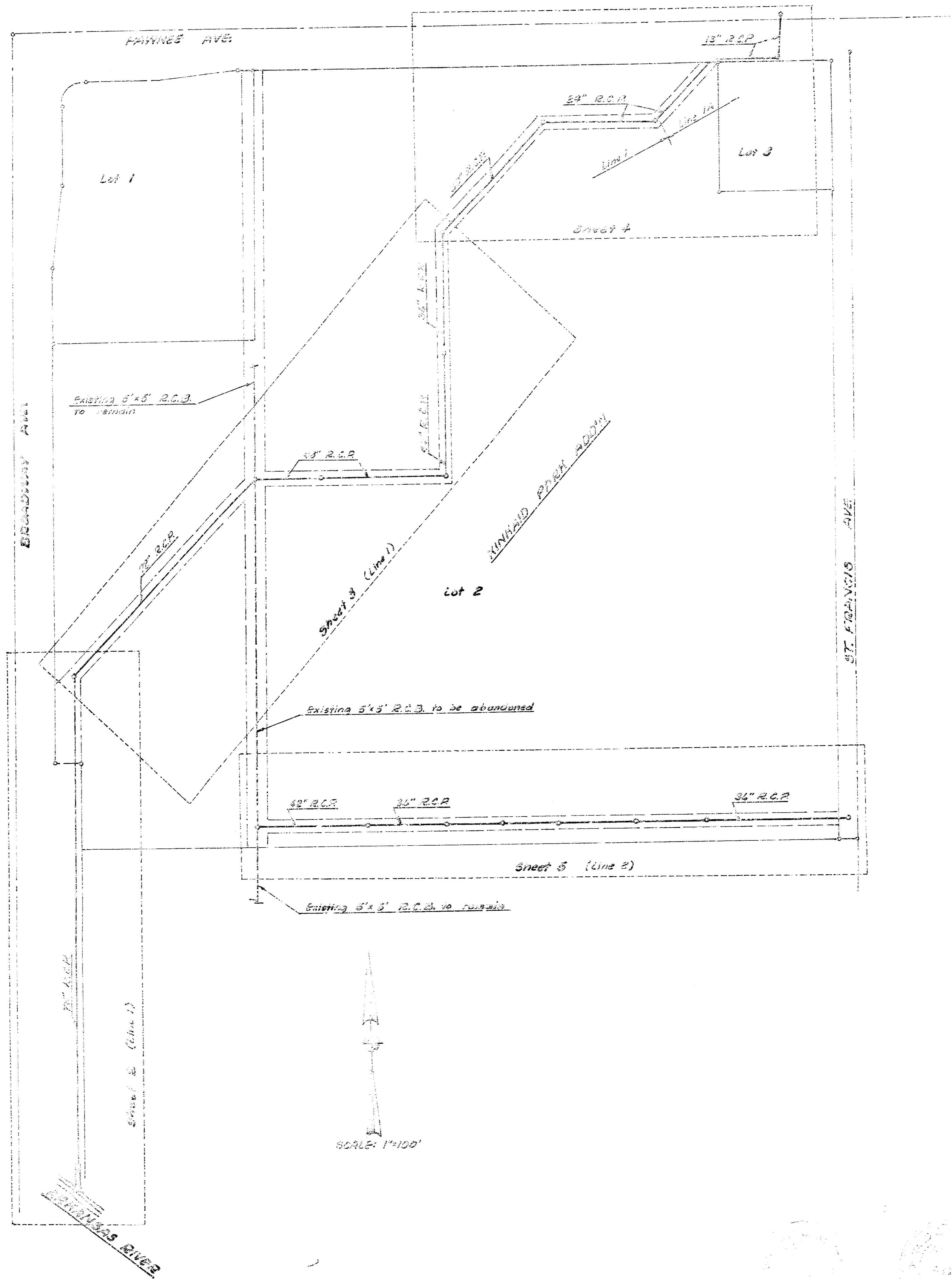
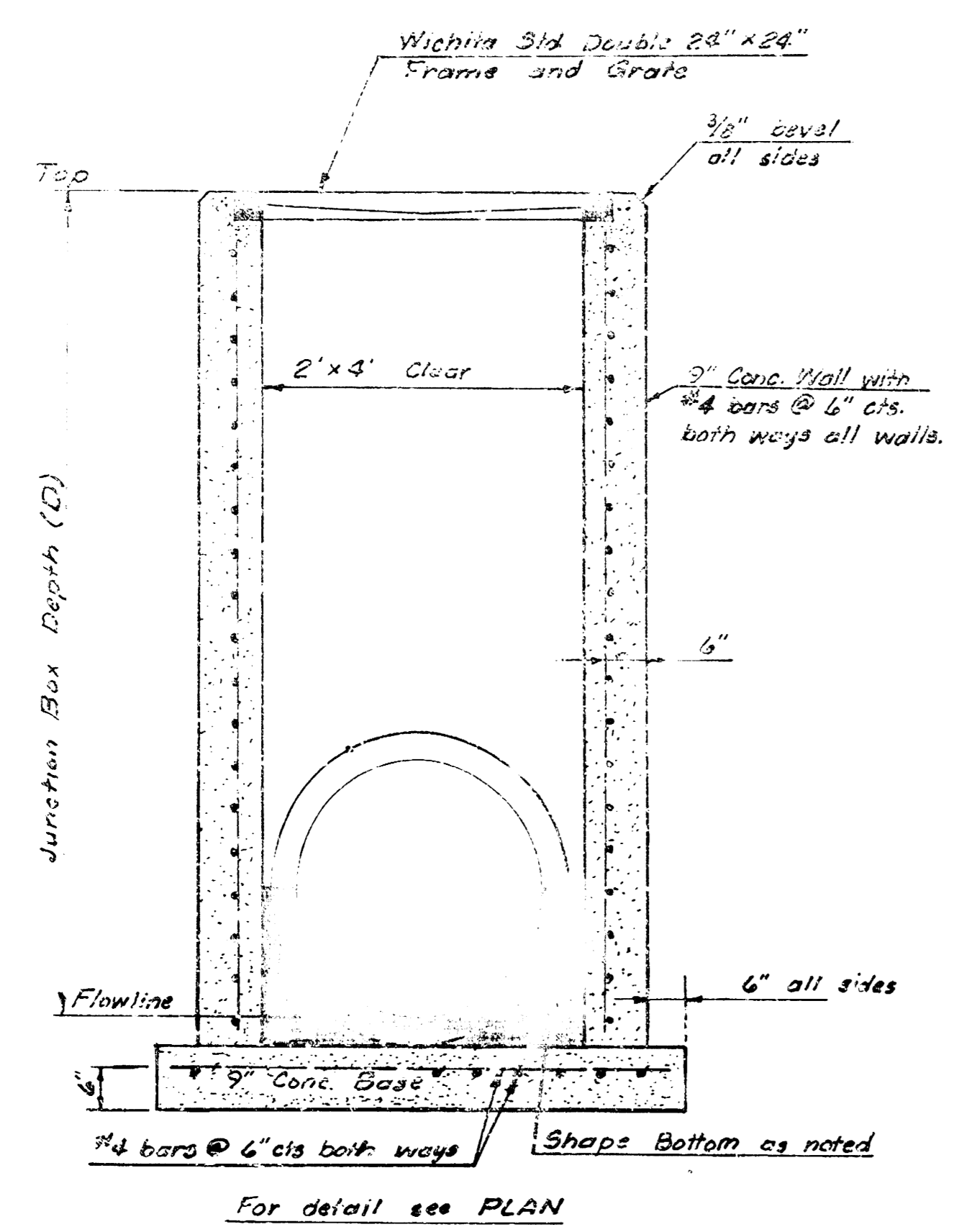


STORM WATER SEWER NO. 101



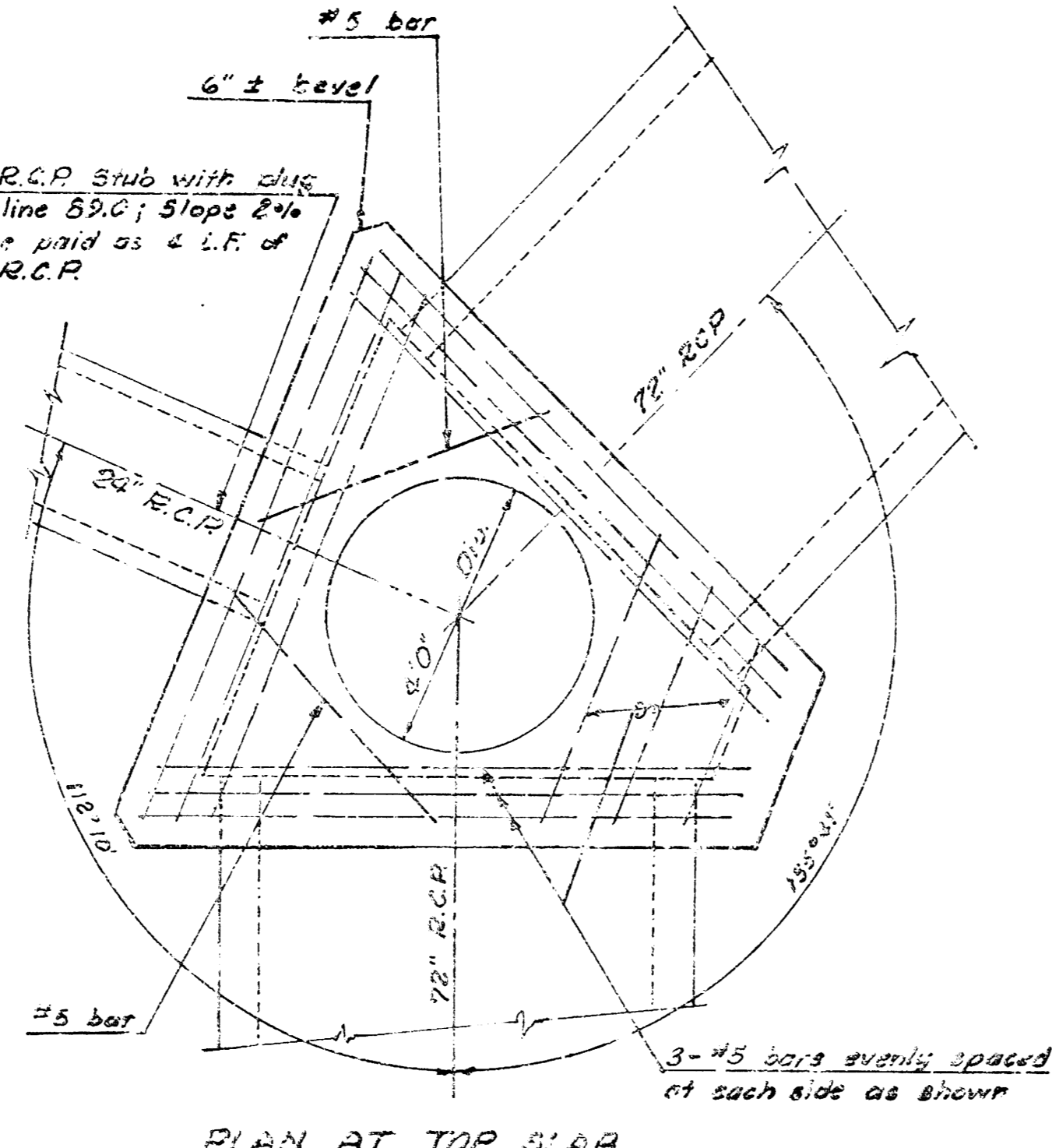
R. W. Linn, CITY ENGINEER
CITY OF WICHITA, KANSAS

DATE: 19

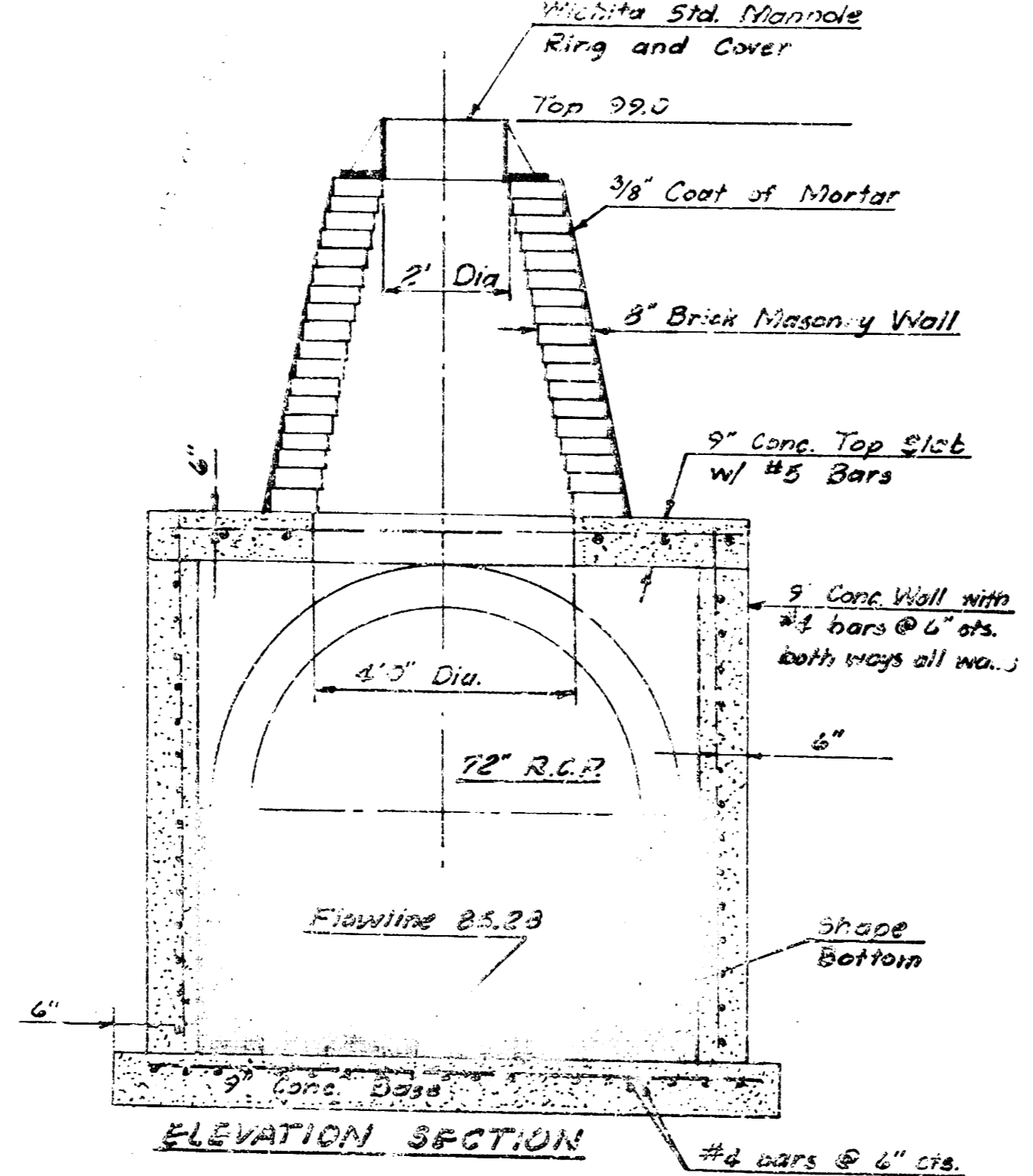


**TYPICAL SECTION
STD. JUNCTION BOX**
Scale: 1/8" = 1'-0"

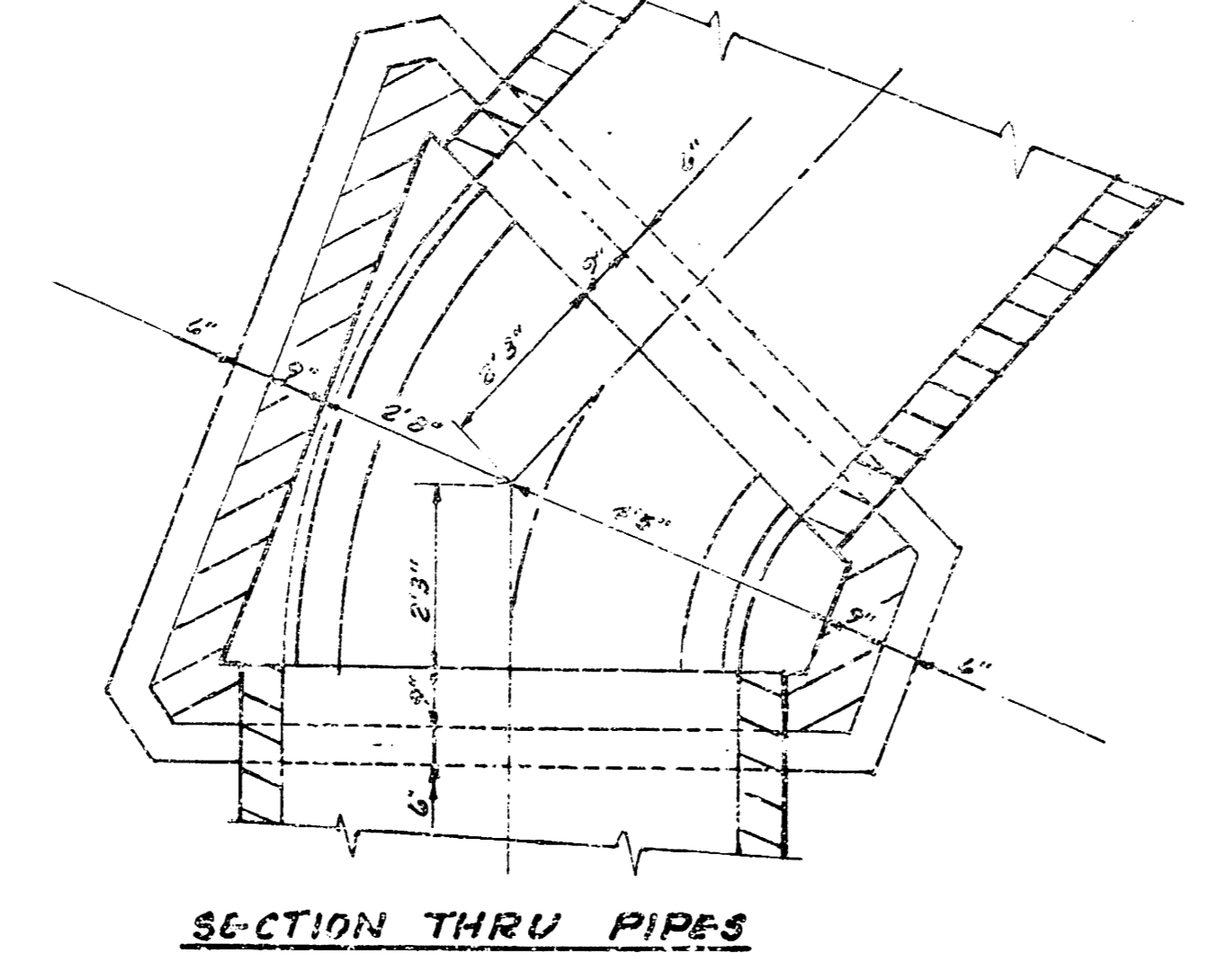
Standard Junction Box, regardless of depth, to be bid at or price as "Std. Junction Box".
All reinforcing steel placement 6" from outside of boxes.



PLAN AT TOP SLAB

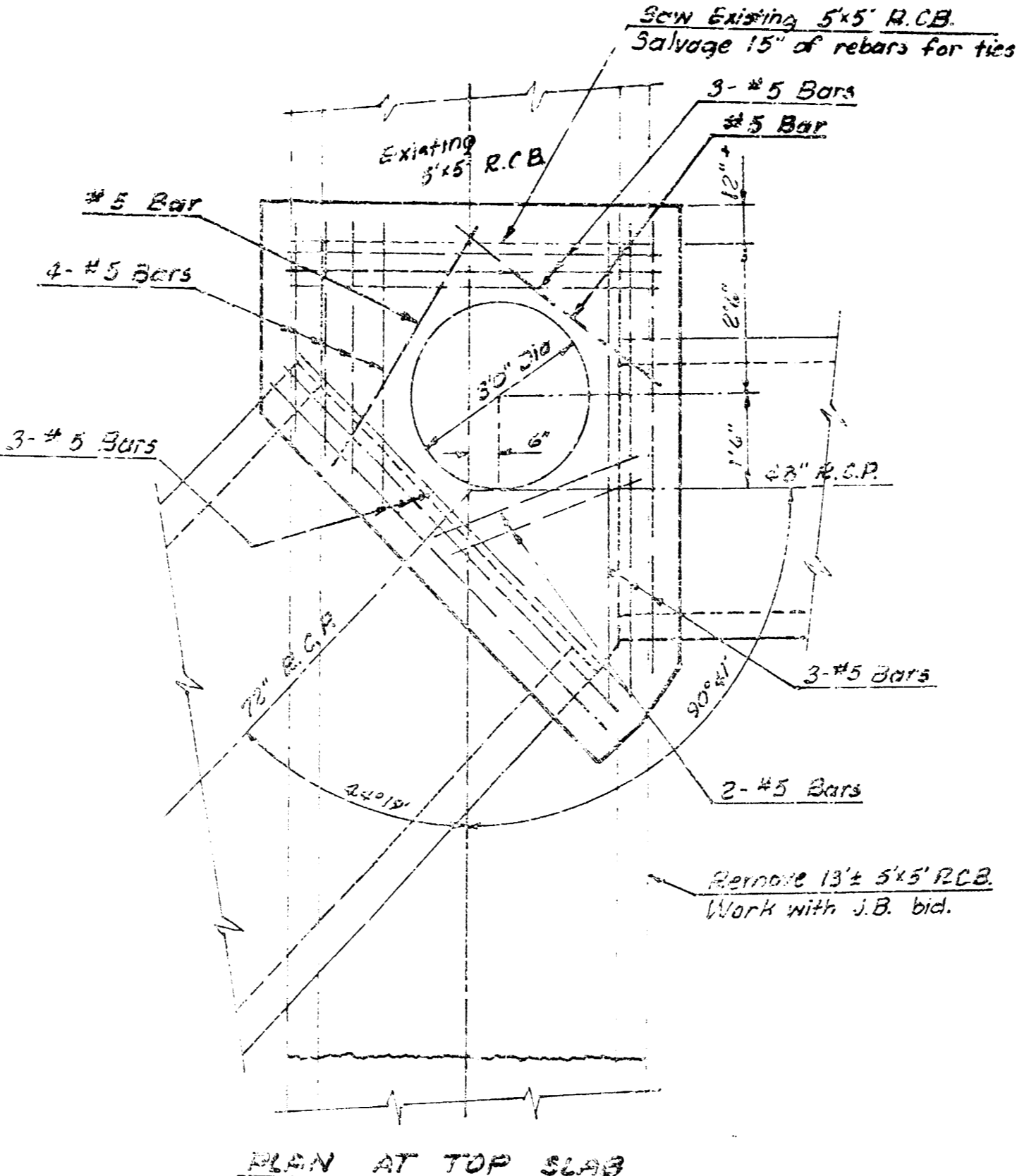


ELEVATION SECTION

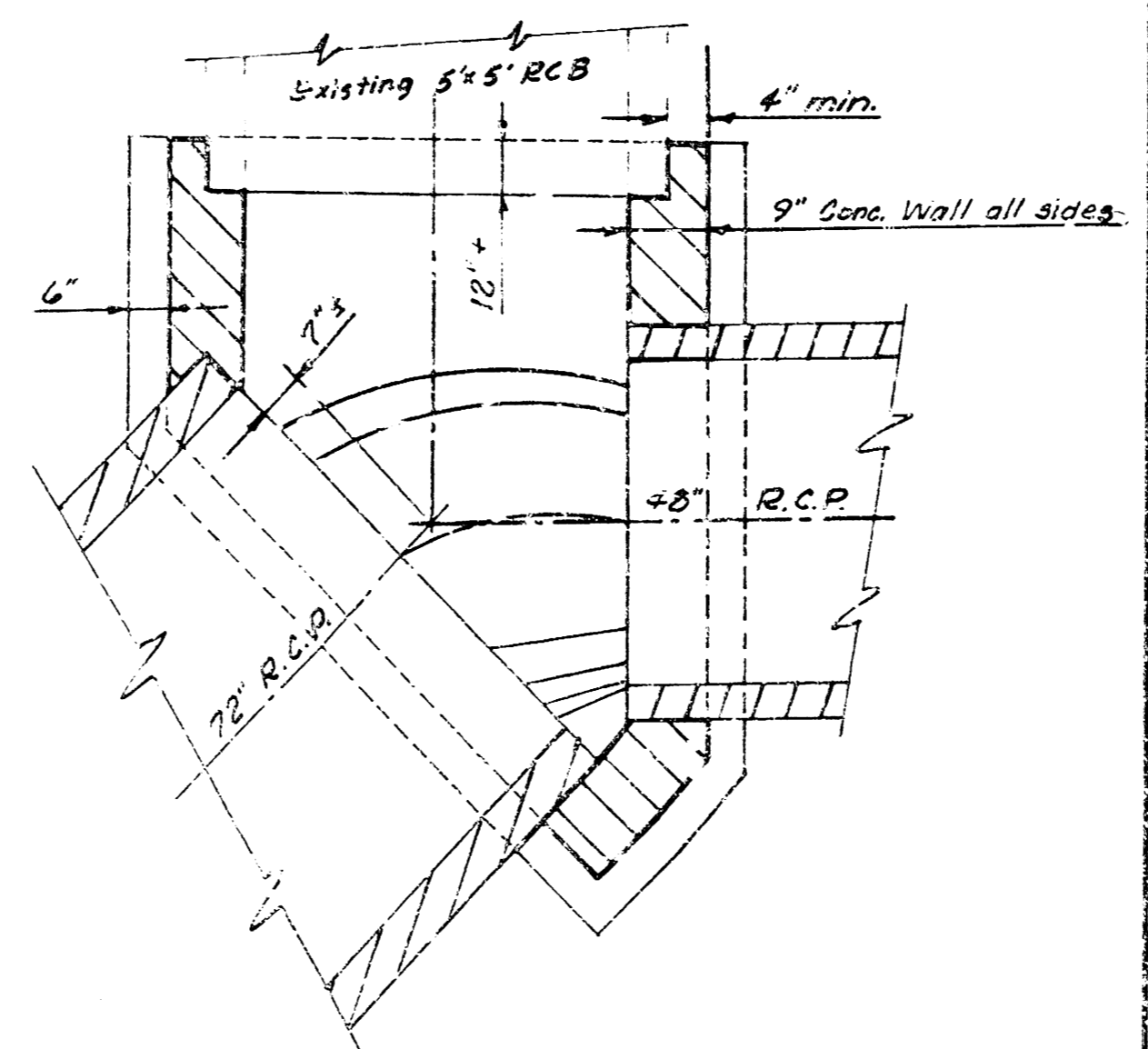


SECTION THRU PIPES

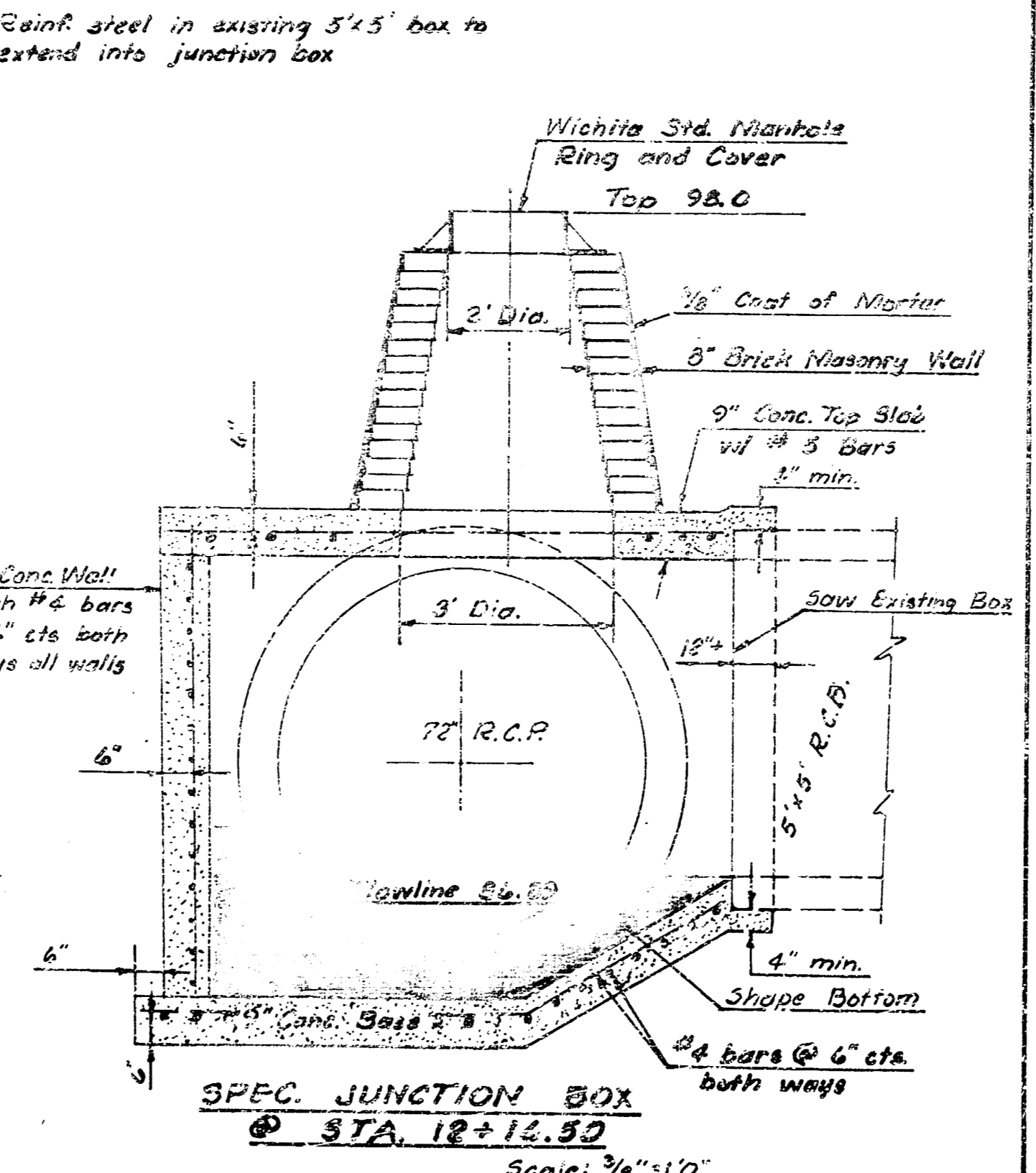
**SPEC. JUNCTION BOX
@ STA. 8+14.31**
Scale: 3/8" = 1'-0"



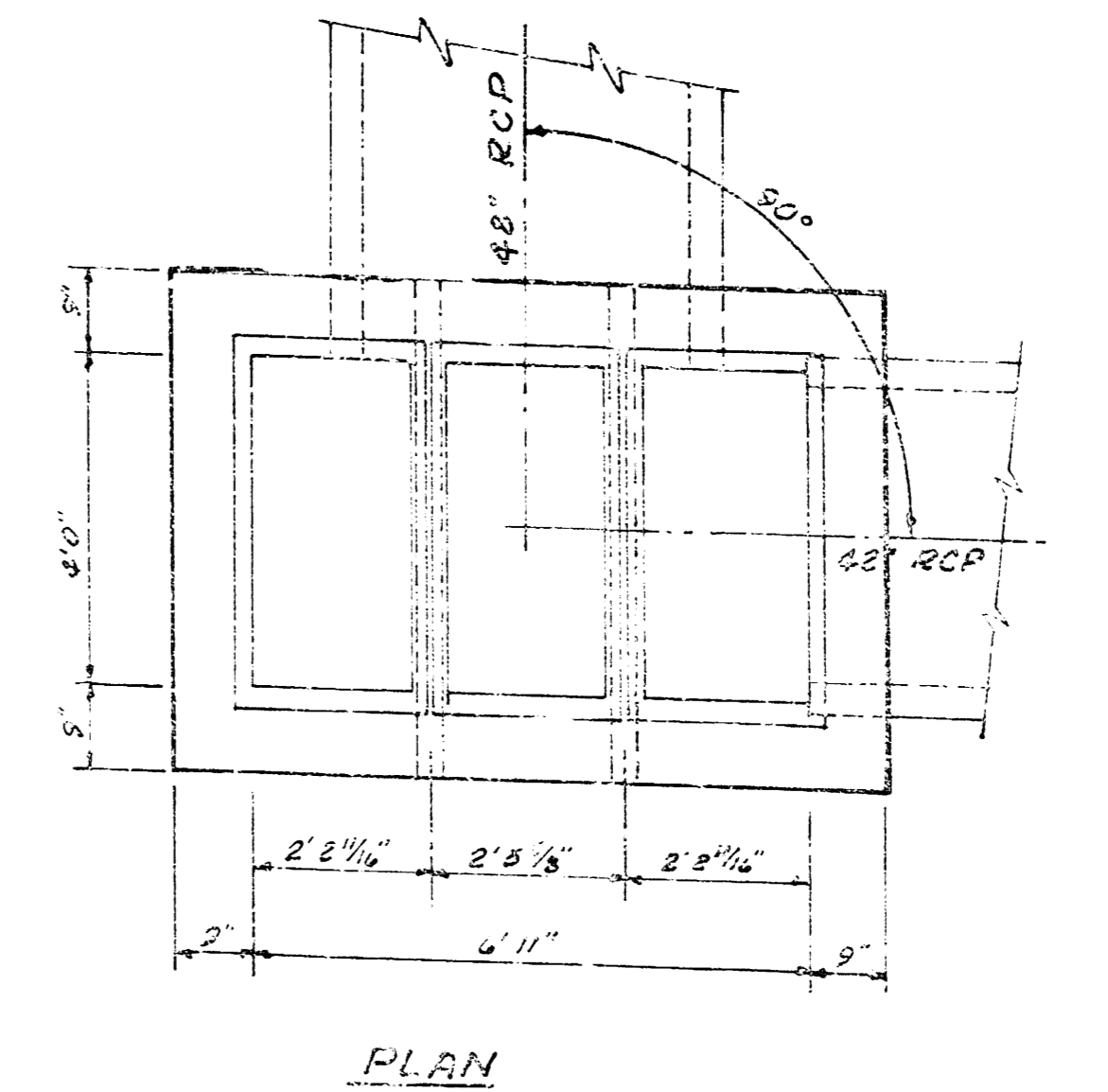
PLAN AT TOP SLAB



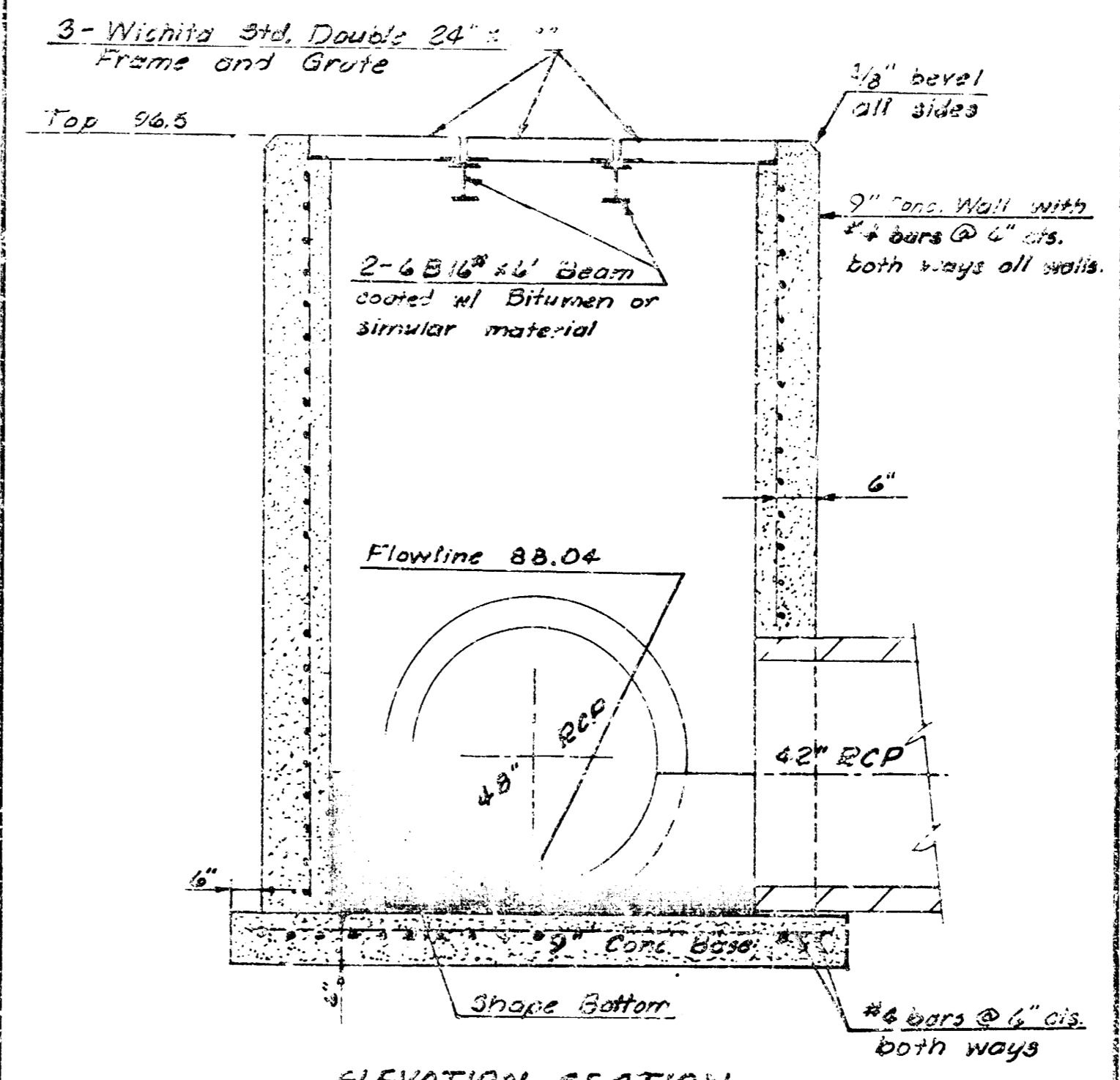
SECTION THRU PIPES



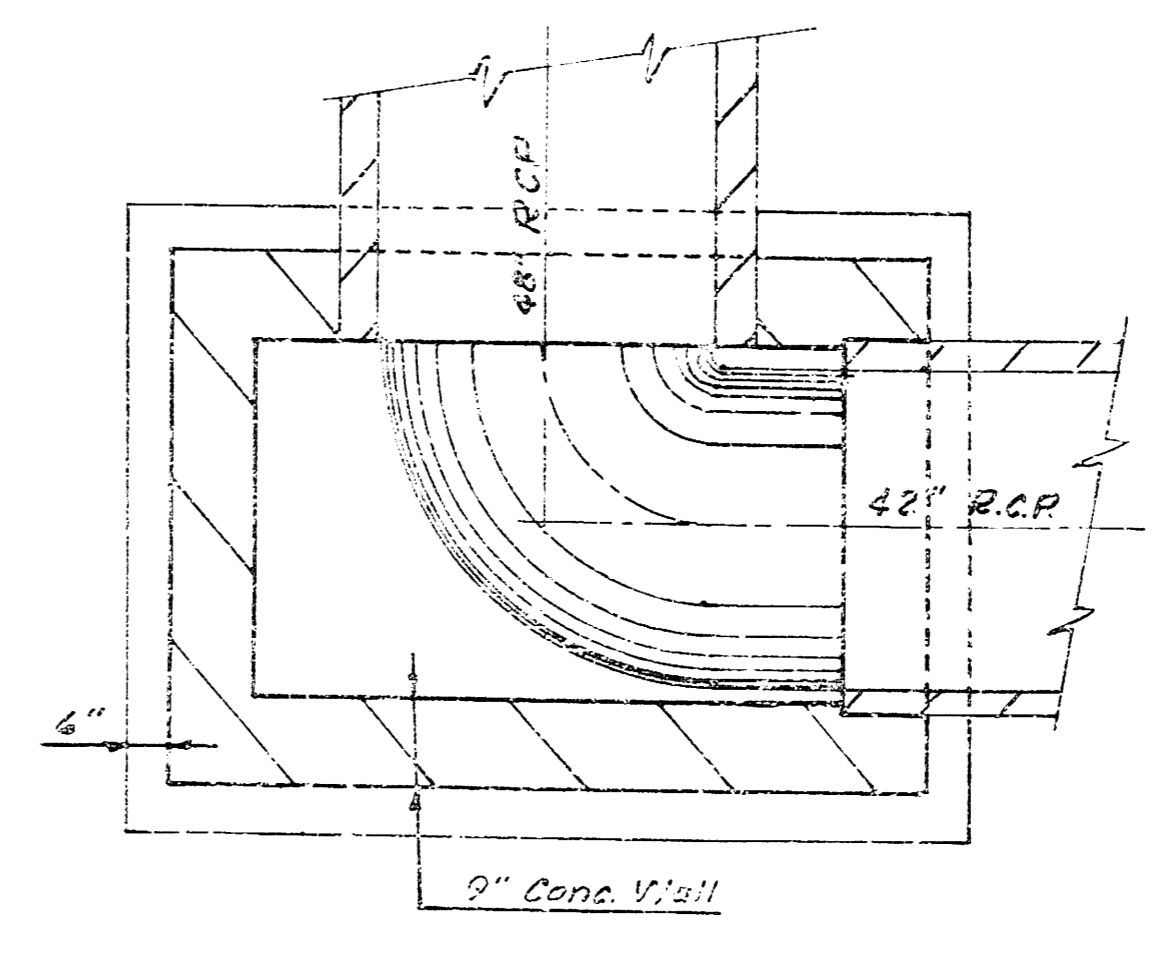
**SPEC. JUNCTION BOX
@ STA. 12+14.90**
Scale: 3/8" = 1'-0"



PLAN

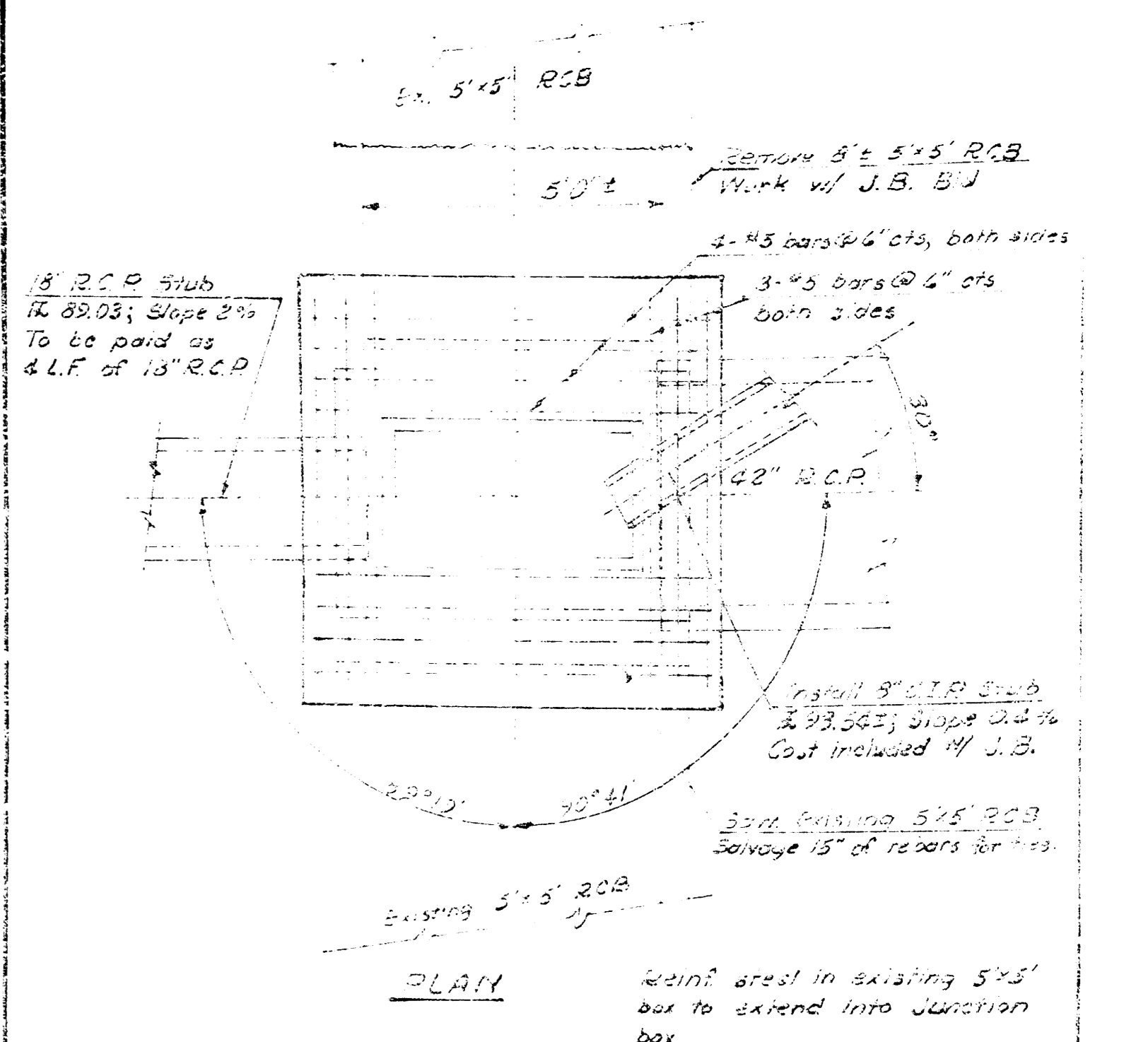


ELEVATION SECTION

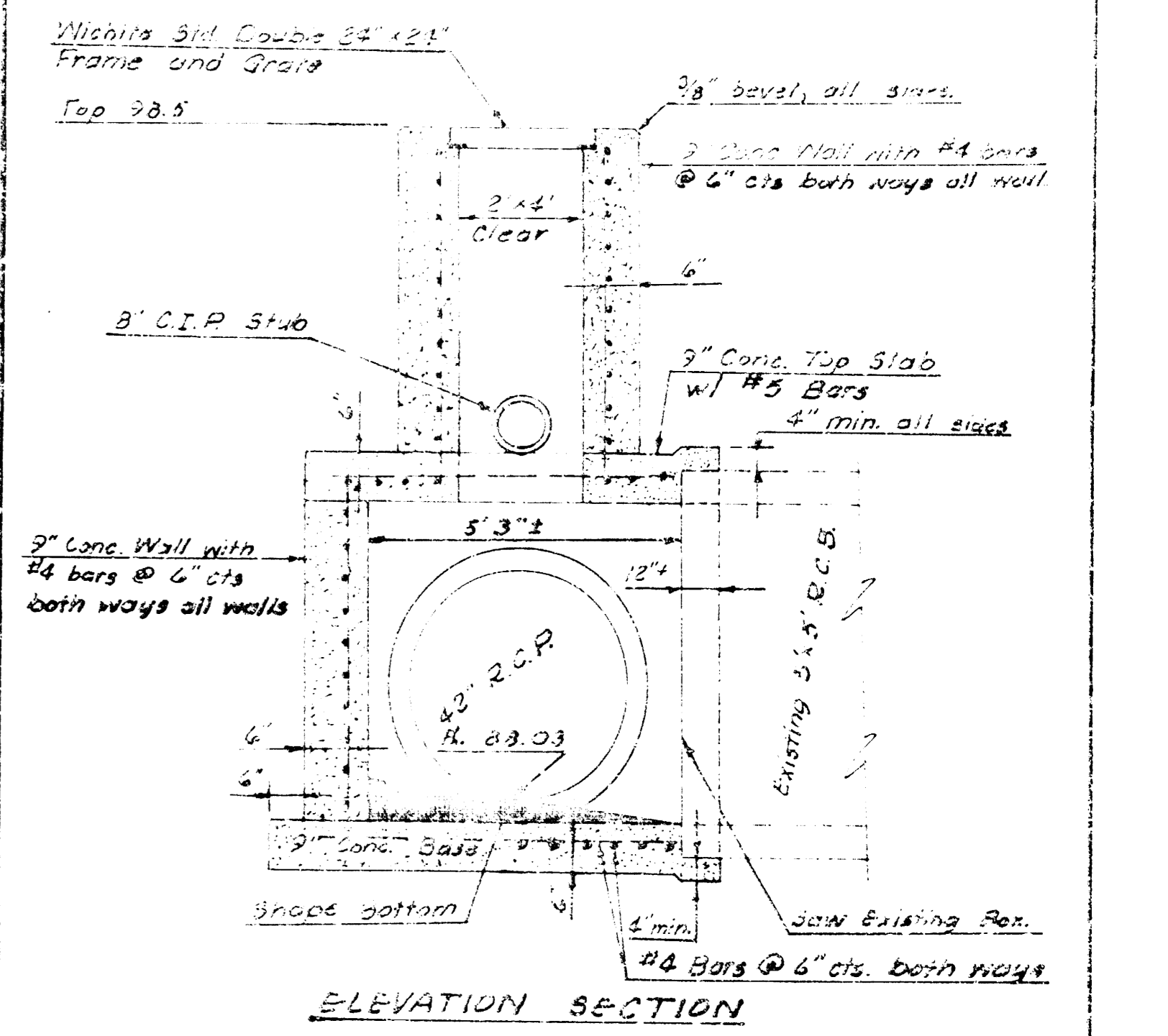


SECTION THRU PIPES

**SPEC. JUNCTION BOX
@ STA. 15+04.41**
Scale: 3/8" = 1'-0"



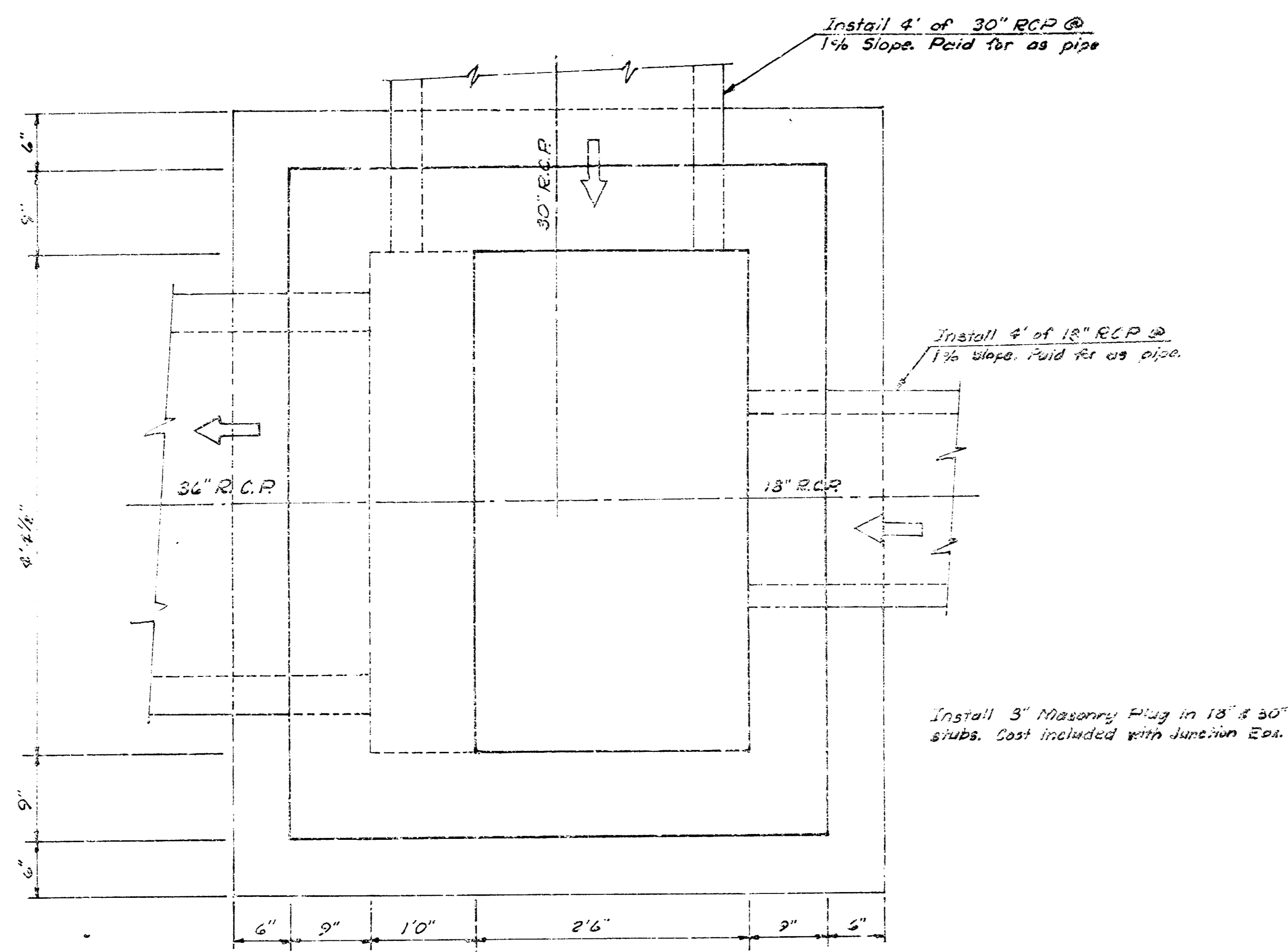
PLAN



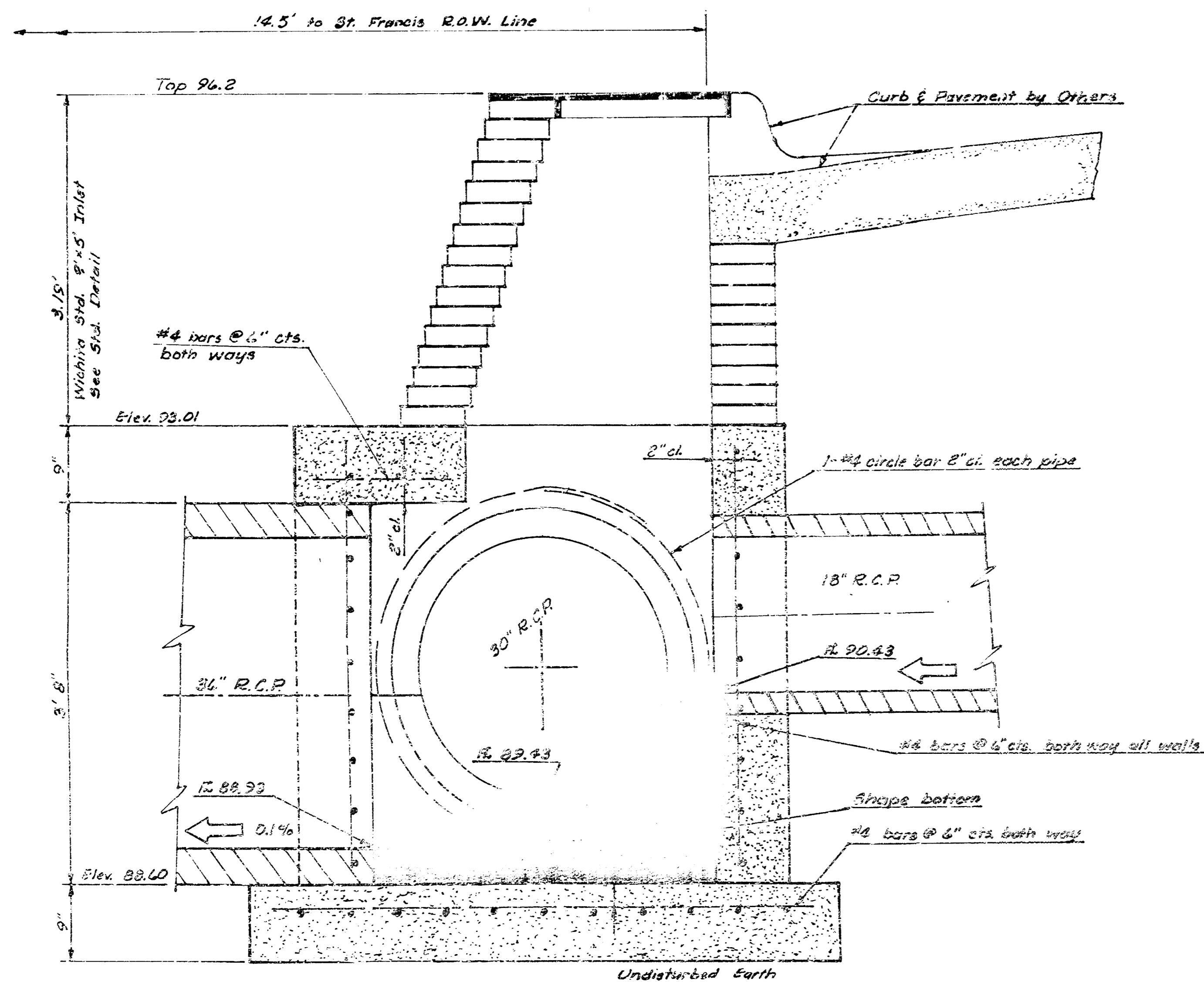
ELEVATION SECTION

**SPEC. JUNCTION BOX
@ STA. 100+00**
Scale: 3/8" = 1'-0"

GENERAL NOTES:
All concrete (except mortar) to be 4 sack Paving Mix.
The concrete base to be constructed on undisturbed earth.

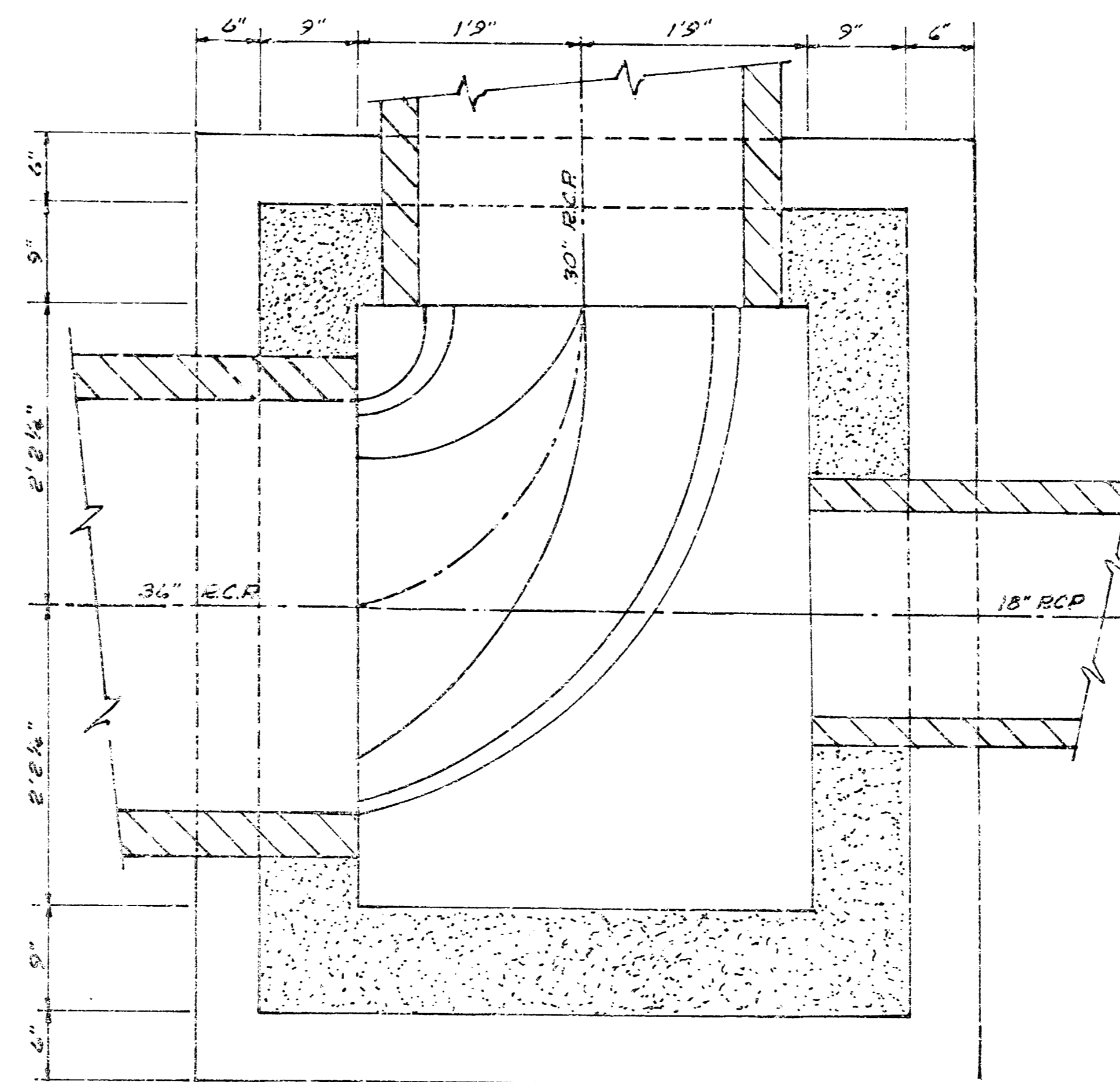


PLAN WITHOUT INLET



SECTION

JUNCTION BOX @ 108+90.63
Scale 1" = 1'0"



PLAN SECTION THROUGH JUNCTION BOX