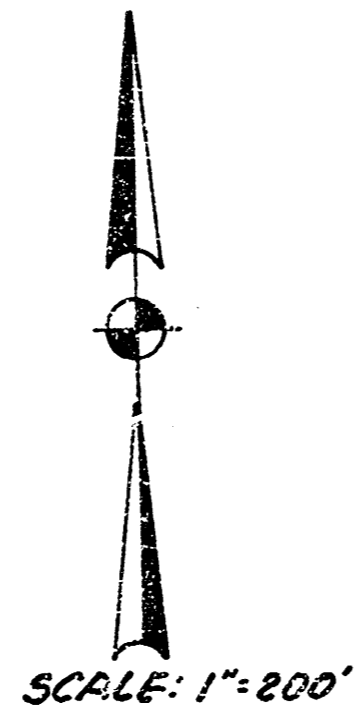
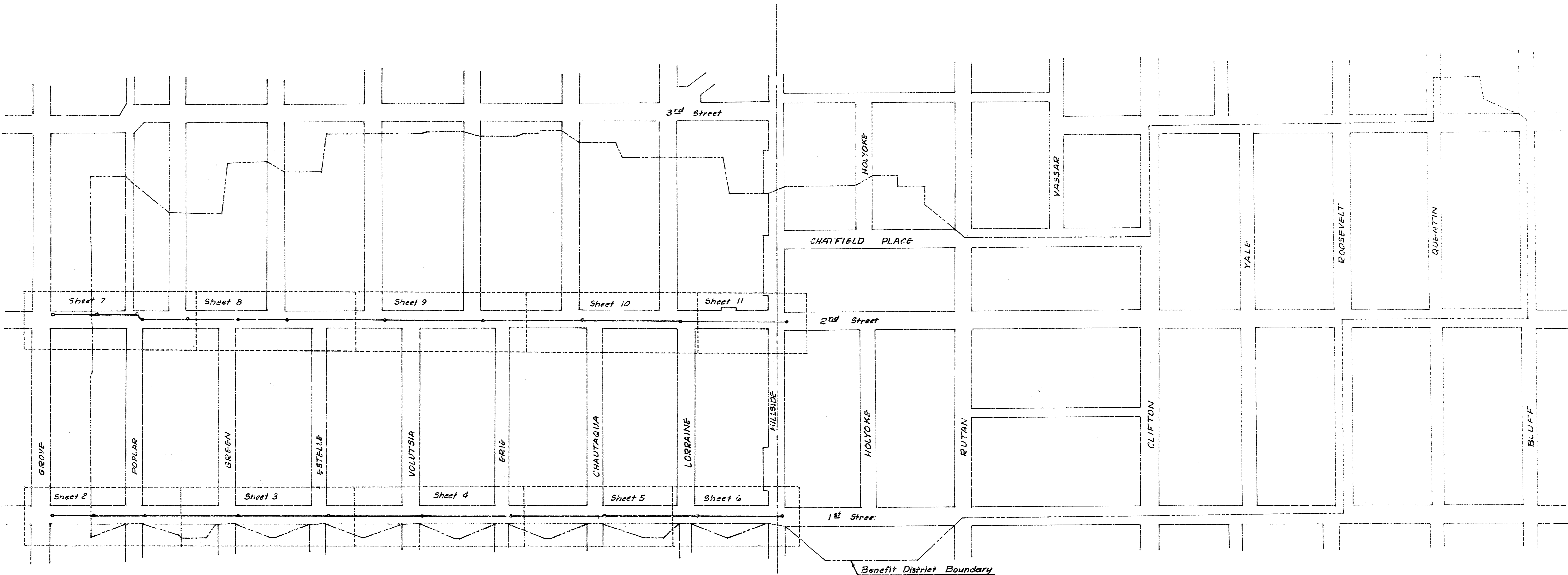


STORM WATER SEWER NO. 105



R. W. LINN, CITY ENGINEER
CITY OF WICHITA, KANSAS

DATE May 1, 1913



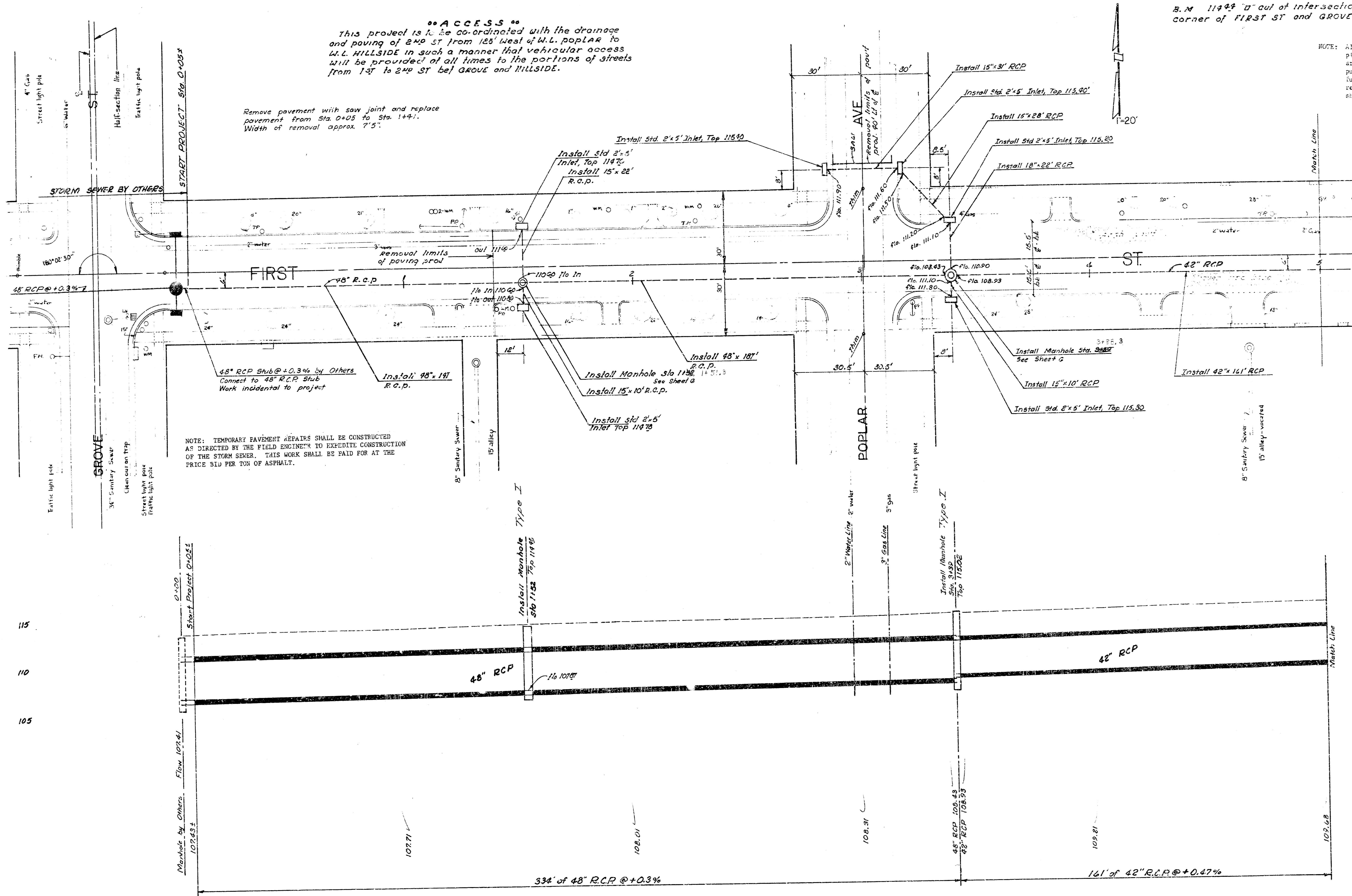
ACCESS
 This project is to be co-ordinated with the drainage and paving of 2nd ST from 125' West of W.L. POPLAR to W.L. HILLSIDE in such a manner that vehicular access will be provided at all times to the portions of streets from 1st to 2nd ST bet GROVE and HILLSIDE.

Remove pavement with saw joint and replace pavement from Sta. 0+05 to Sta. 1+41. Width of removal approx. 7'5".

NOTE: TEMPORARY PAVEMENT REPAIRS SHALL BE CONSTRUCTED AS DIRECTED BY THE FIELD ENGINEER TO EXPEDITE CONSTRUCTION OF THE STORM SEWER. THIS WORK SHALL BE PAID FOR AT THE PRICE \$10 PER TON OF ASPHALT.

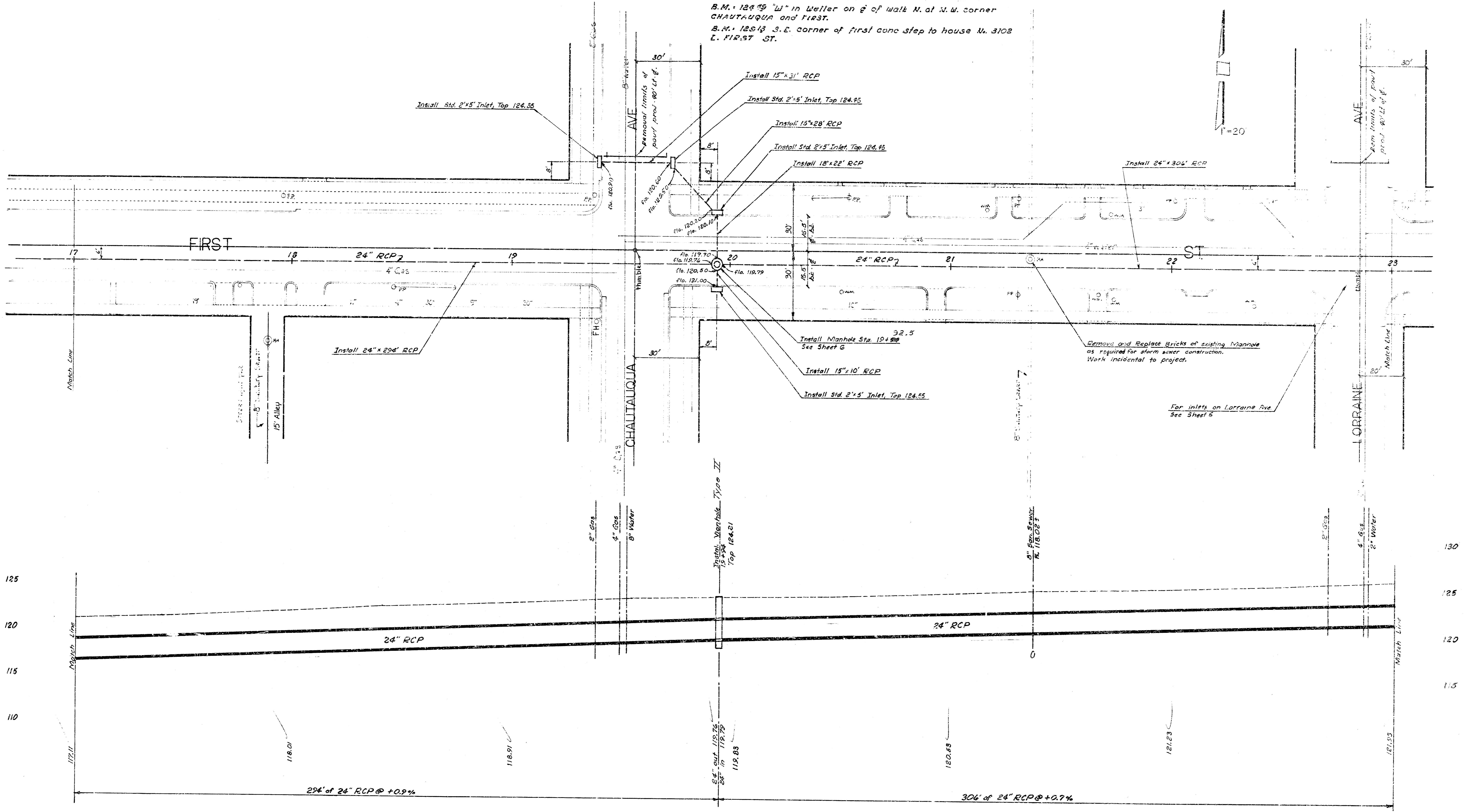
B.M. 11444 "D" out of intersection of back of works on S.E. corner of FIRST ST and GROVE ST.

NOTE: All existing and future utility lines on plans shown or below grade as indicated are for information and identification purposes only. Contractor shall have full responsibility in contacting each respective utility company shown or not shown.



CAUTION
UNDERGROUND UTILITIES
 Please check with K G & E or Southwestern Bell Telephone Co. for Location

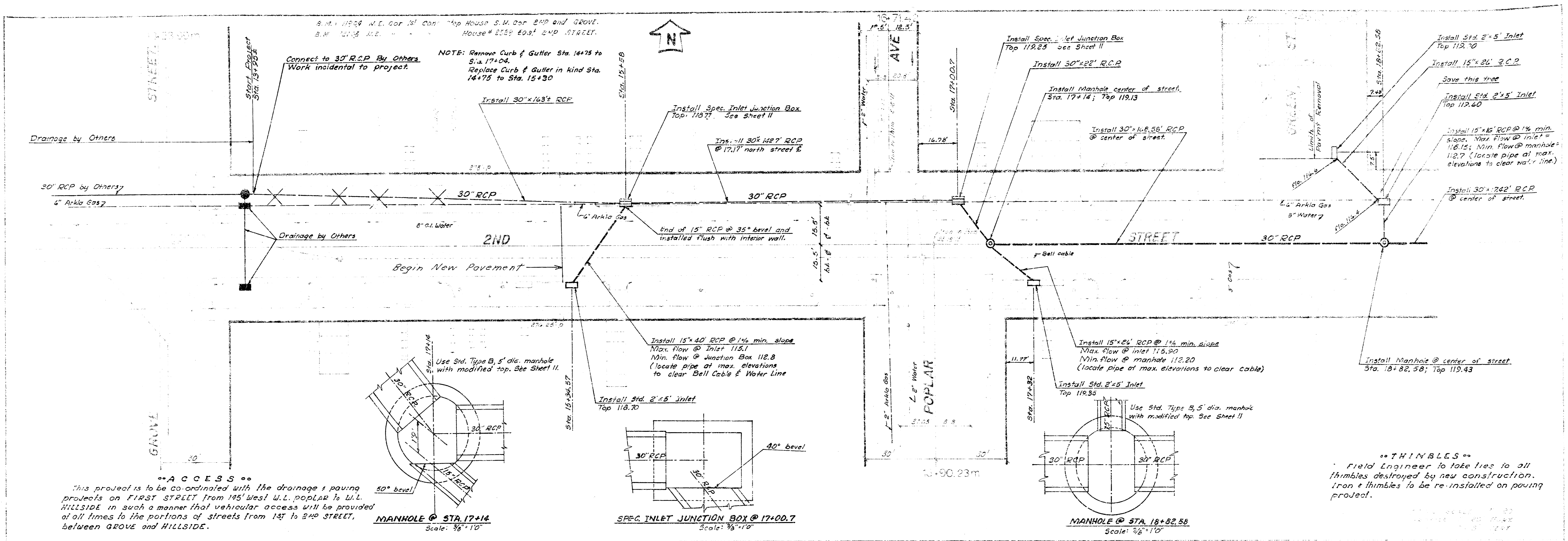
AS BUILT PER PLAN
 IH-81



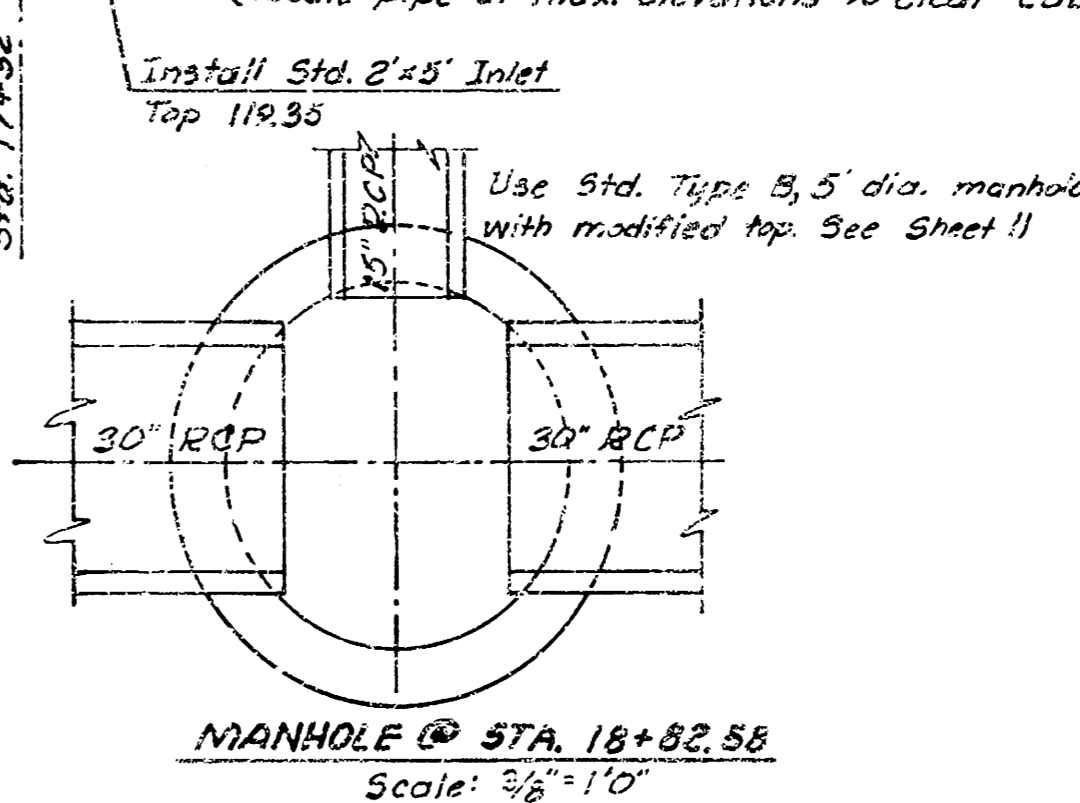
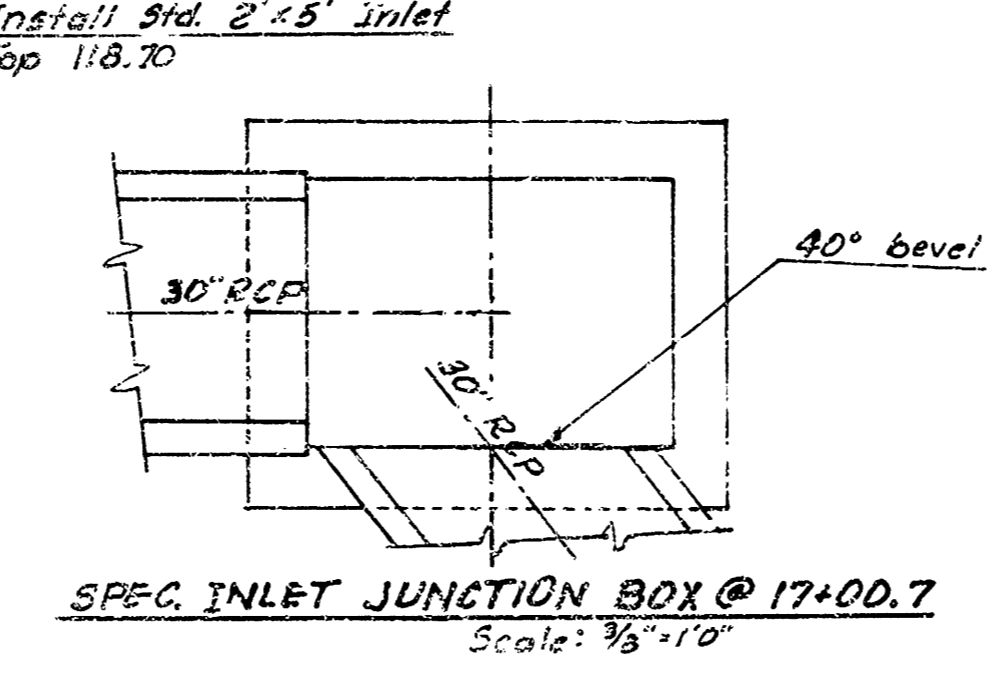
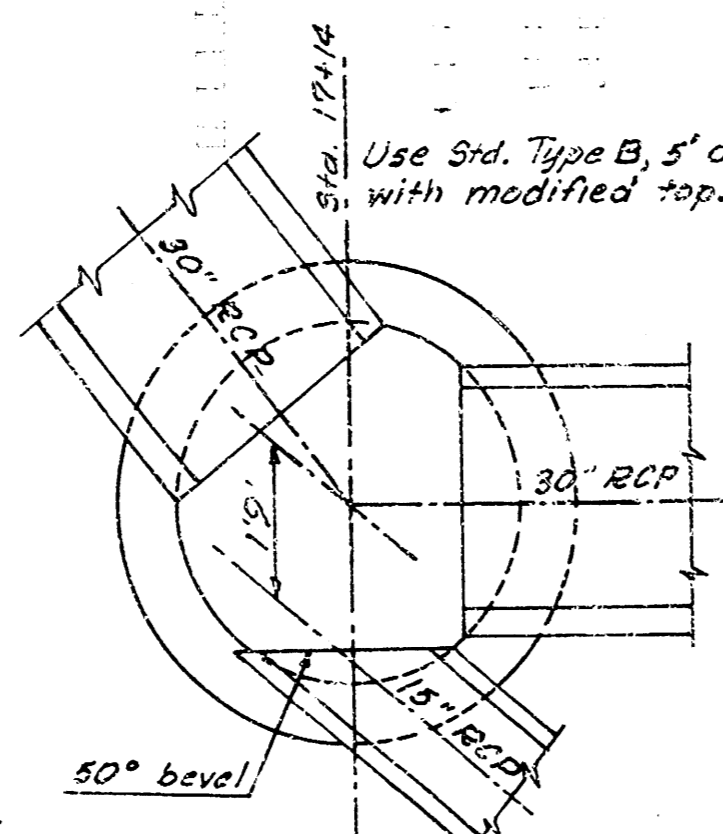
B.M. 124.99 "W" in Weller on e of walk N. of N.W. corner CHAUTAUQUA and FIRST.
 B.M. 125.13 S.E. corner of first conc step to house N. 3102 E. FIRST ST.

FILMED FROM THE BEST

PLAN
 SCALE: 1/8" = 1'-0"
 DATE: 10/15/11

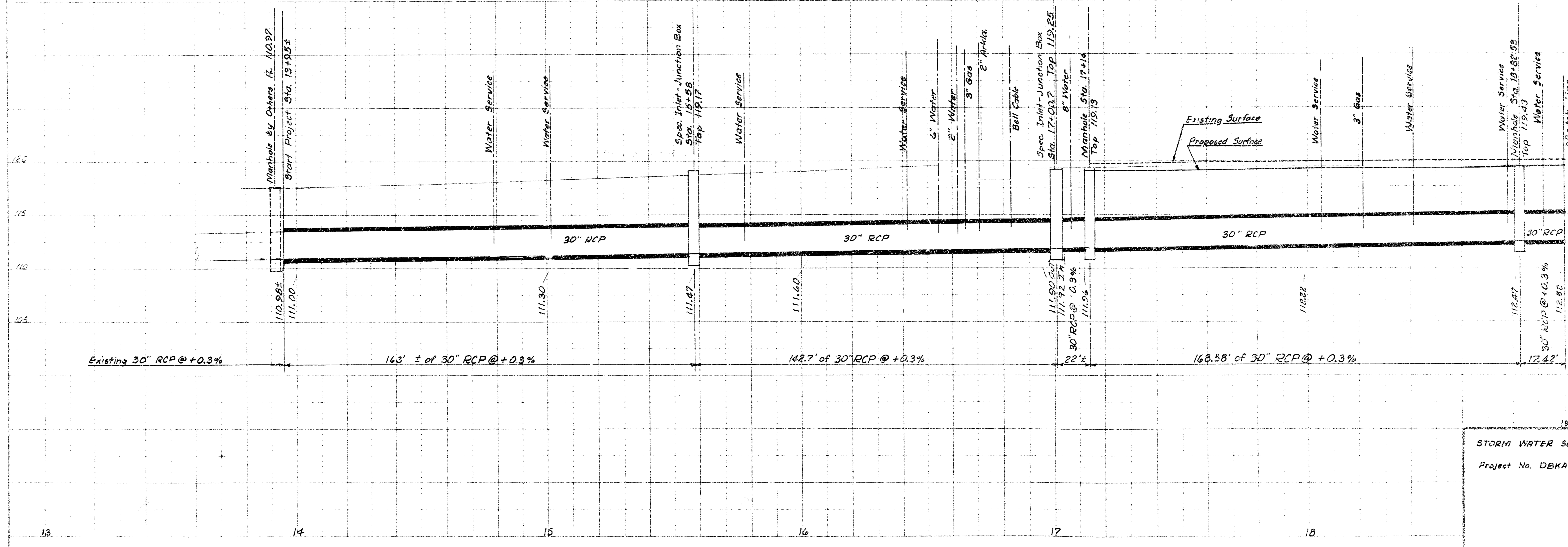


****ACCESS****
 This project is to be coordinated with the drainage & paving projects on FIRST STREET from 145' West W.L. POPLAR to W.L. HILLSIDE in such a manner that vehicular access will be provided at all times to the portions of streets from 1ST to 2ND STREET, between GROVE and HILLSIDE.



****THIMBLES****
 Field Engineer to take ties to all thimbles destroyed by new construction. Iron & thimbles to be re-installed on paving project.

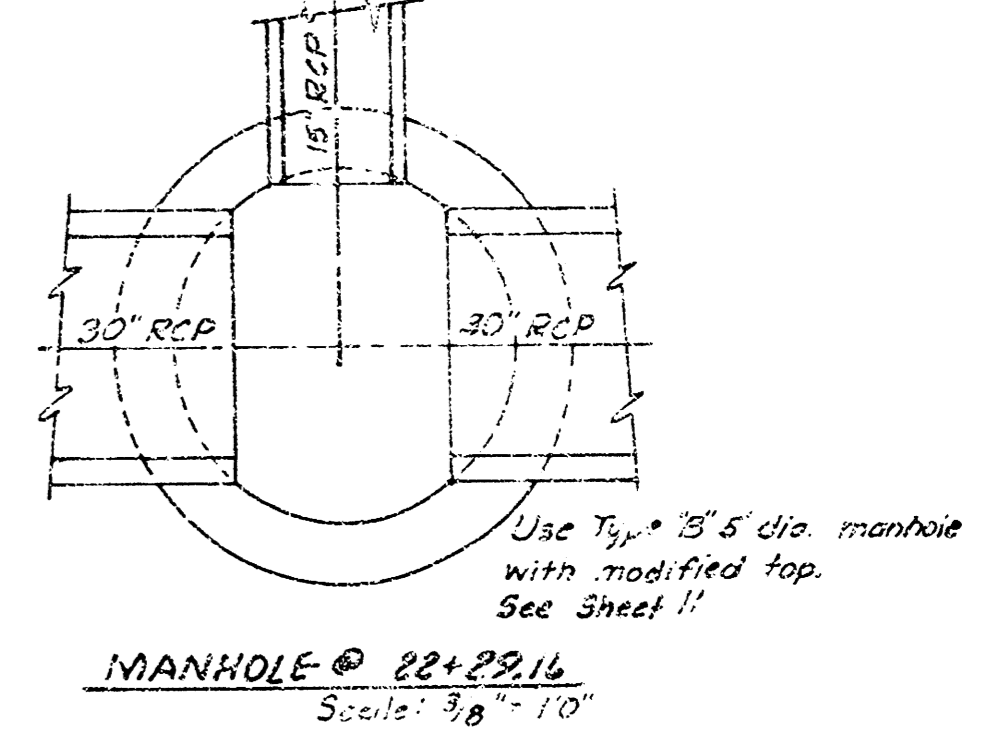
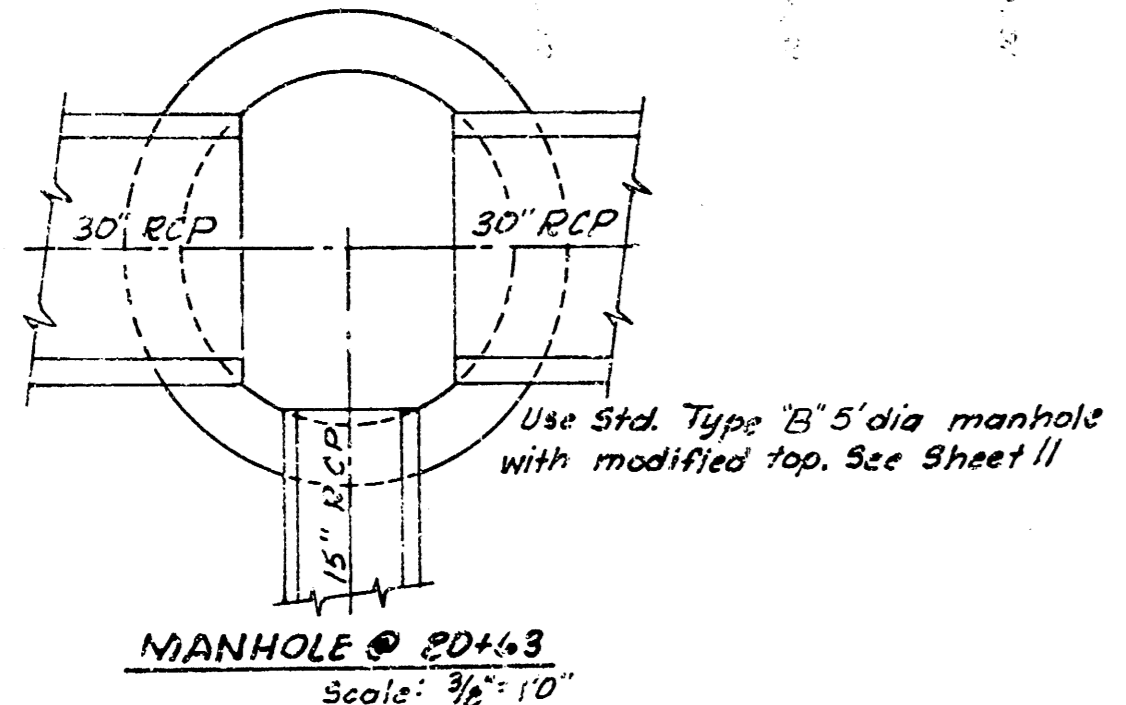
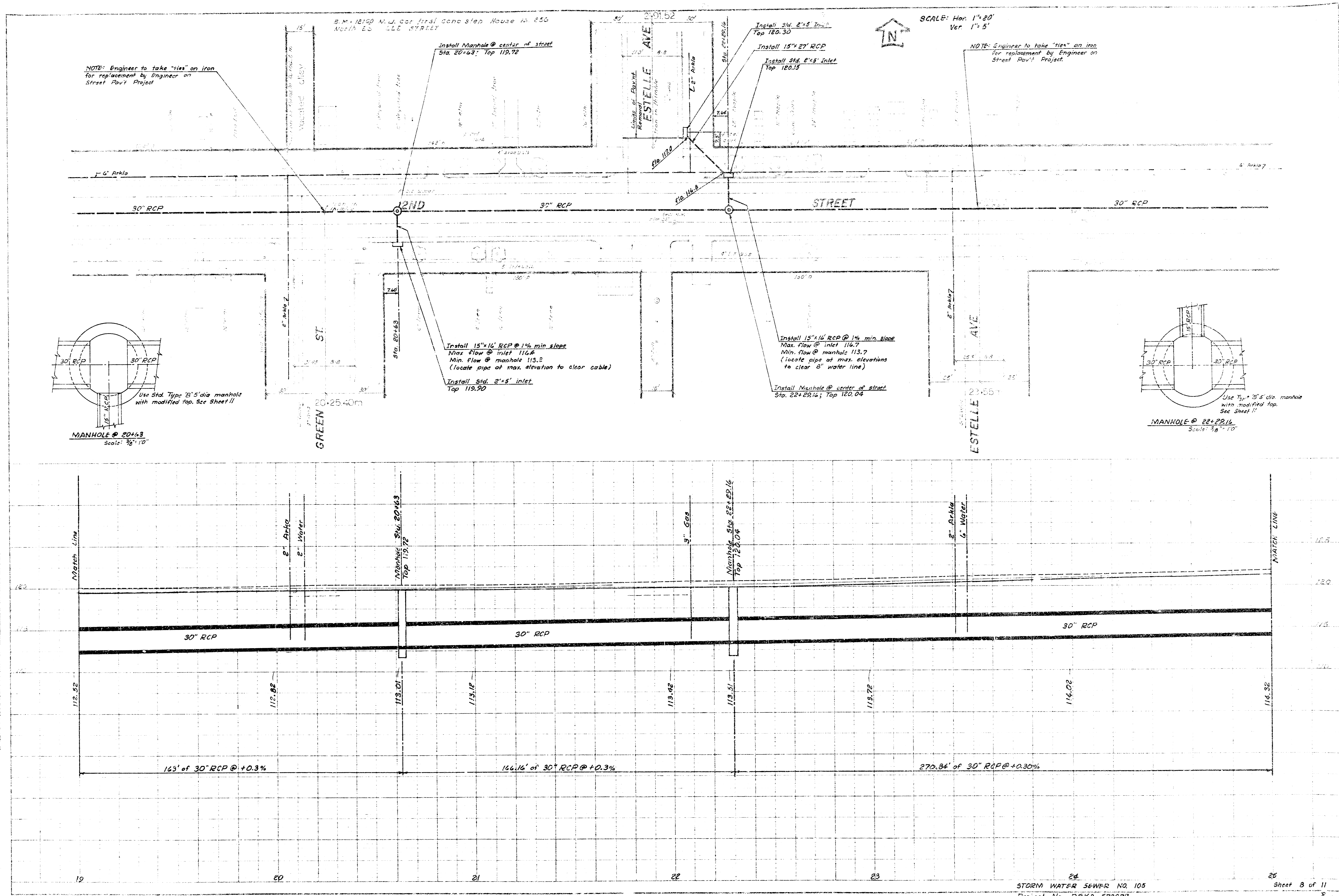
PROFILE
 SCALE: 1/8" = 1'-0"
 DATE: 10/15/11



STORM WATER SEWER NO. 105
 Project No. DBKA 573027

PLAN
 DATE: 10/15/10
 PROJECT: STORM WATER SEWER NO. 105
 SHEET: 8 OF 11

PROJ. NO. 573027
 DATE: 10/15/10
 PROJECT: STORM WATER SEWER NO. 105
 SHEET: 8 OF 11



NOTE: Engineer to take 'ties' on iron for replacement by Engineer on Street Pav't Project

NOTE: Engineer to take 'ties' on iron for replacement by Engineer on Street Pav't Project

Install Manhole @ center of street Sta. 20+43; Top 119.92

Install 3\"/>

Install 15\"/>

Install Std. 2\"/>

Install 15\"/>

Install 15\"/>

Install Manhole @ center of street Sta. 22+22.14; Top 120.04

MANHOLE # 20+43
 Scale: 3/8\"/>

MANHOLE # 22+22.14
 Scale: 3/8\"/>

SCALE: Hor. 1\"/>



19

20

21

22

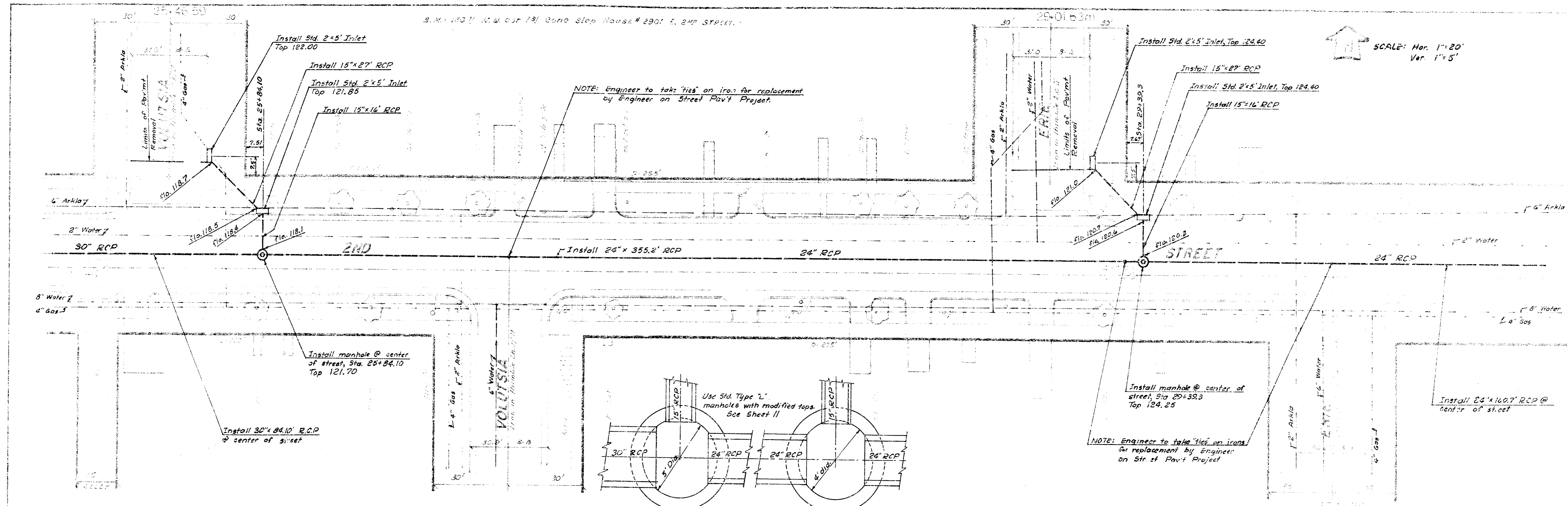
23

24

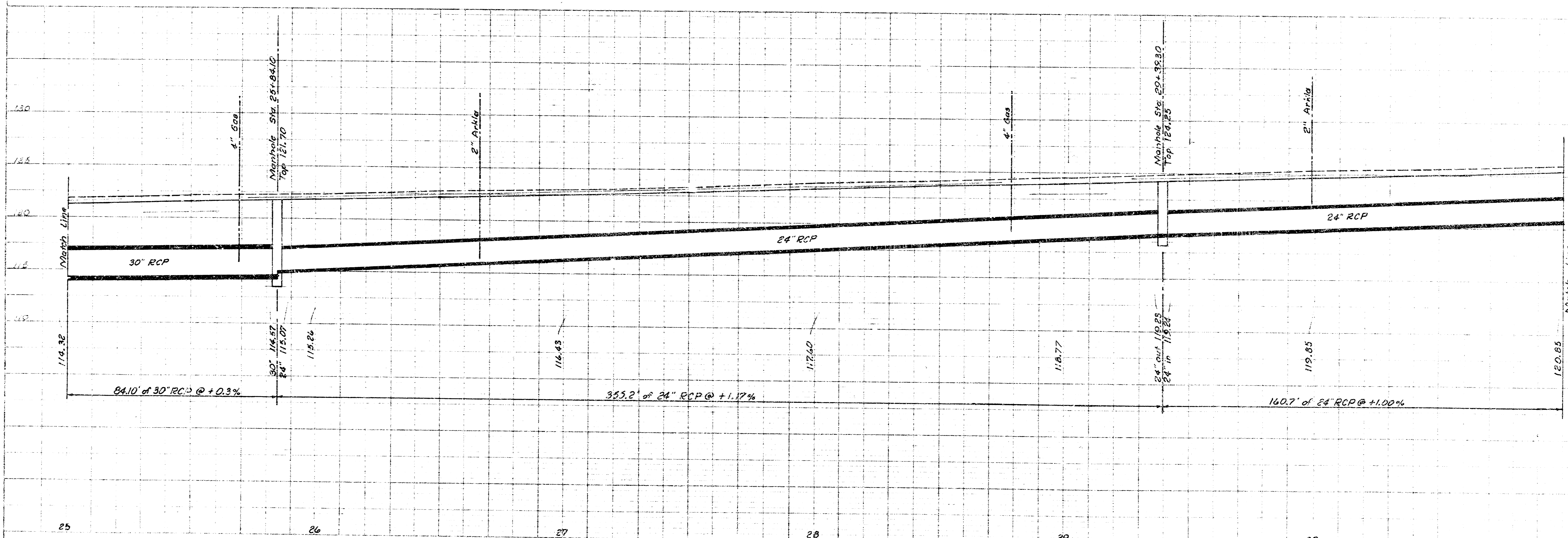
25

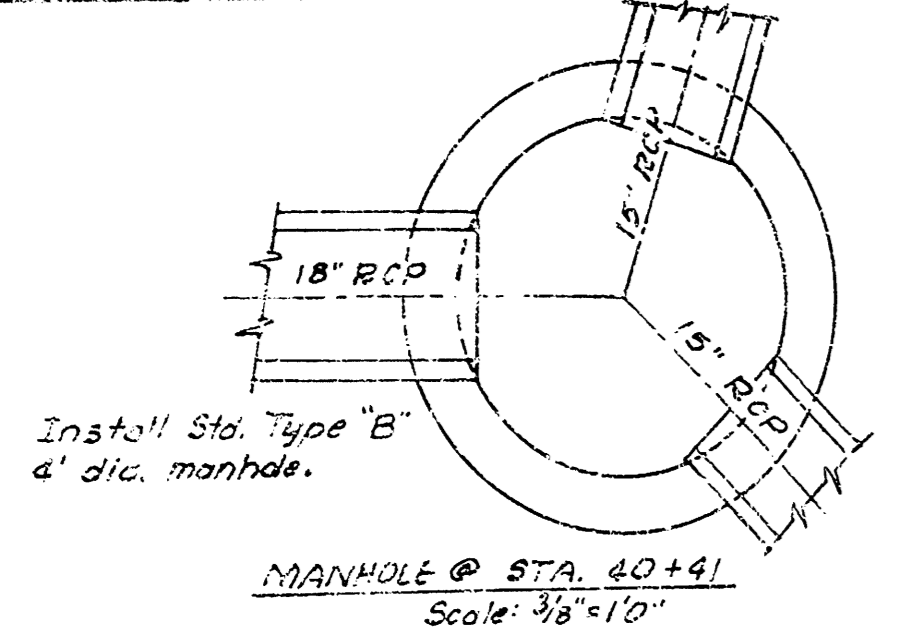
STORM WATER SEWER NO. 105
 Project No. DBKA 573027

Sheet 8 of 11



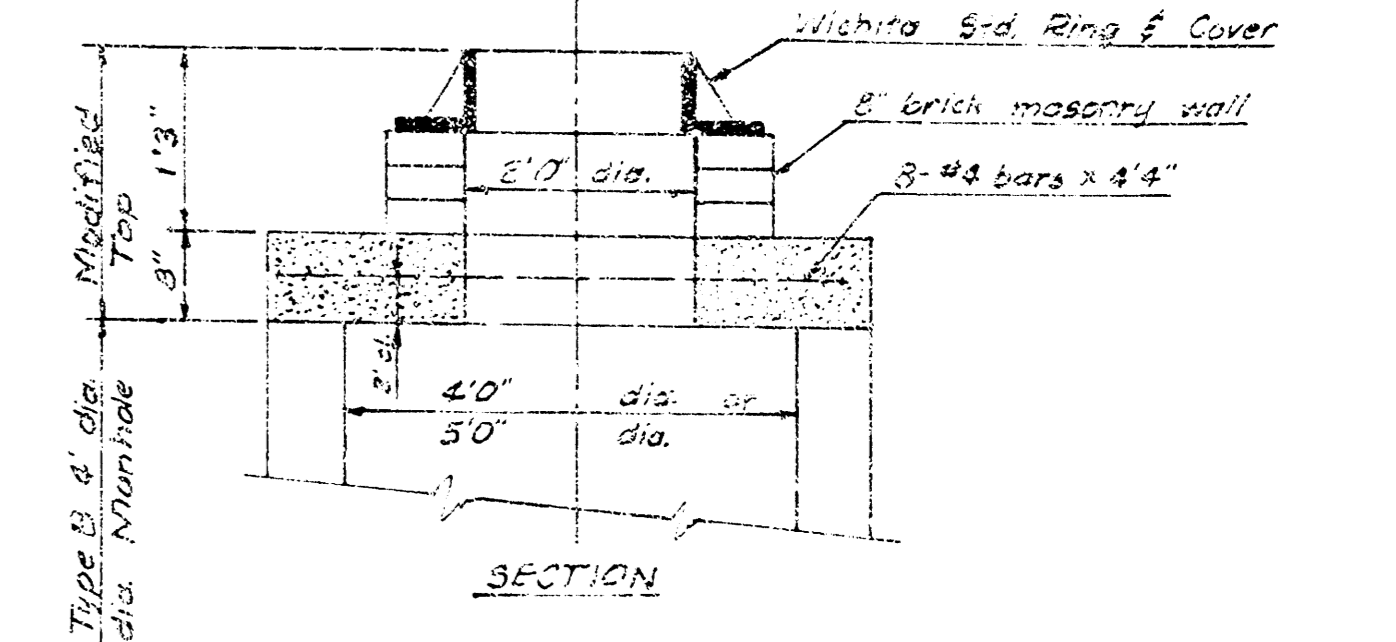
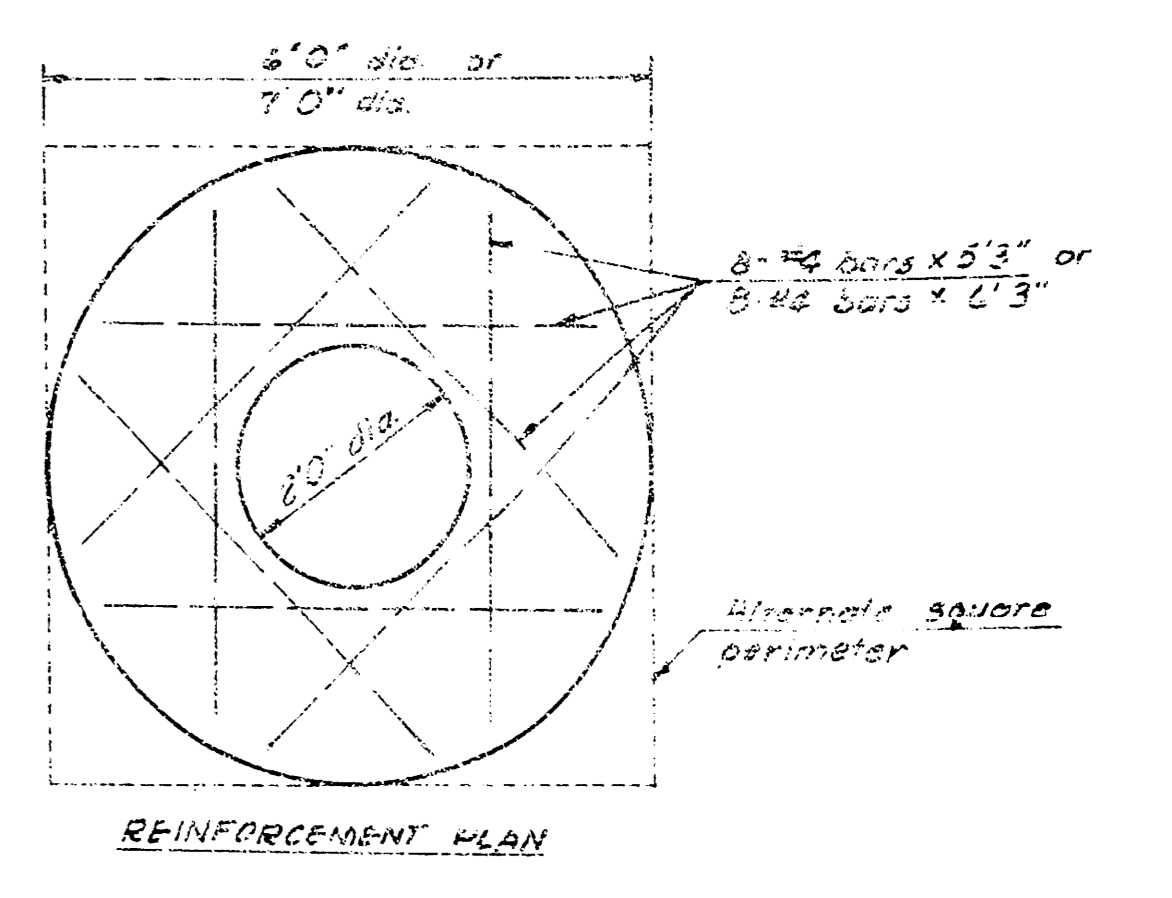
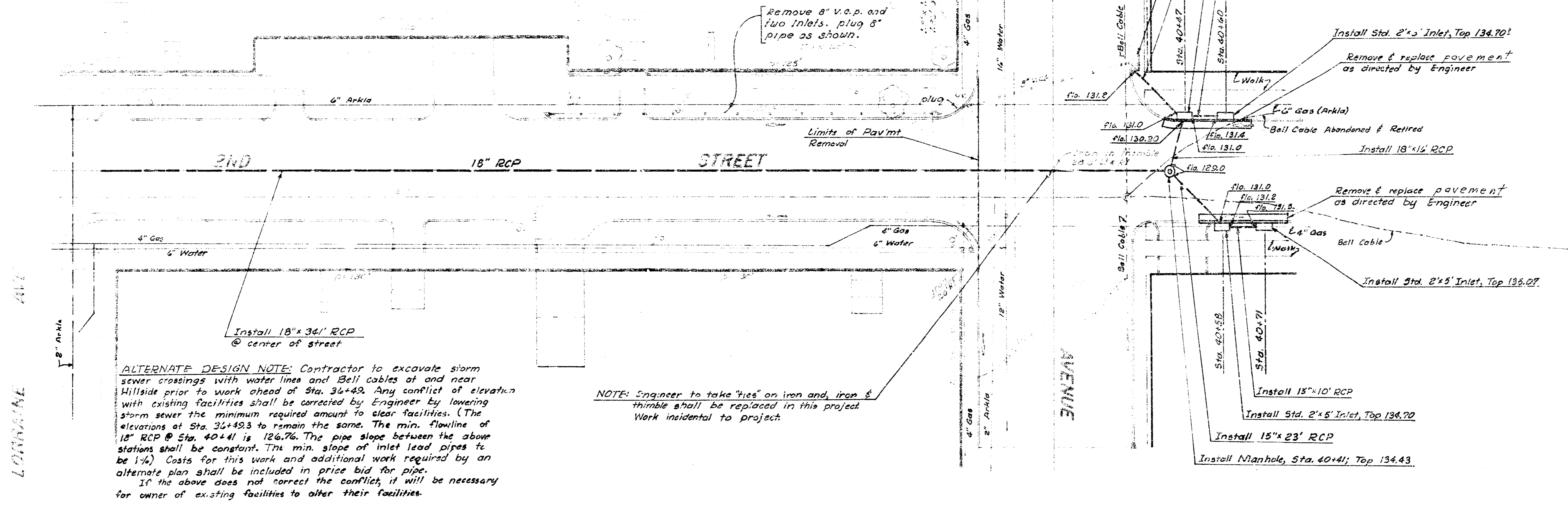
MANHOLE @ 25+84.10 MANHOLE @ 29+39.3
Scale: 3/8" = 1'





3. M. 133.03 S.W. Cor. 2nd St. & Hillside Ave. N.E. 340 and Hillside Ave.
3. M. 133.03 N.E. Cor. 2nd St. & Hillside Ave. N.E. 340 and Hillside Ave.

NOTE: All required pavement removal ahead of Sta. 35+00 shall be with saw joint and replaced within this project. Walk east of Hillside shall be replaced within this project.



Std. Type "B" MANHOLE MODIFIED
Scale: 1/2"=1'-0"

NOTE: CONTRACTOR SHALL HAVE OPTION BETWEEN CONSTRUCTING STANDARD (TYPE B) MANHOLE MODIFIED AS SHOWN BY PLANS OR STANDARD BRICK MANHOLE (TYPE B). WIDE FLANGE MANHOLE RINGS (NO. 500 AS MANUFACTURED BY WESTERN IRON AND FOUNDRY CO., OR AN APPROVED EQUAL, SHALL BE SUBSTITUTED FOR THE STANDARD MANHOLE RING IF THE CONTRACTOR DESIRES THE STANDARD BRICK MANHOLE (TYPE B) OPTION. STANDARD (TYPE B) MANHOLE MODIFIED (5' DIAMETER) OR ALTERNATE STANDARD BRICK MANHOLE (TYPE B) (5' DIAMETER) WITH WIDE FLANGE RING SHALL BE PAID FOR AS MANHOLE TYPE III. STANDARD (TYPE B) MANHOLE MODIFIED (4' DIAMETER) OR ALTERNATE STANDARD BRICK MANHOLE (TYPE B) (4' DIAMETER) WITH WIDE FLANGE RING SHALL BE PAID FOR AS MANHOLE TYPE IV.

