

# STORM WATER SEWER NO. 152

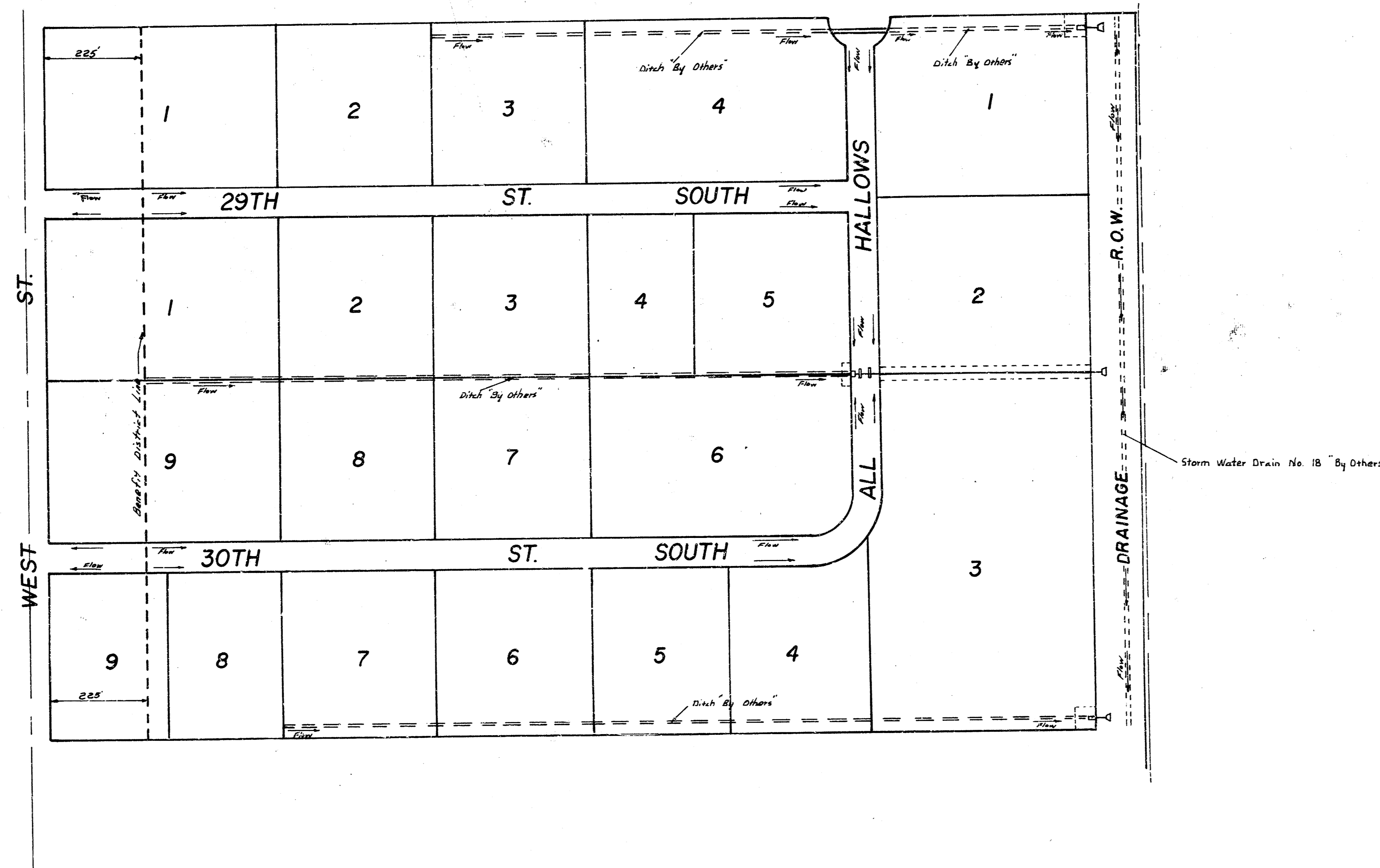
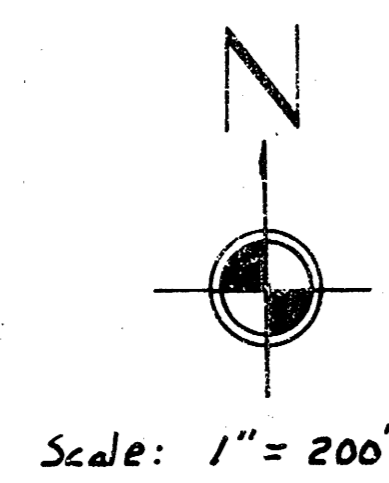
CITY OF WICHITA, KS.

R. W. LINN CITY ENGINEER

PROJECT NO. 468 76 245 80713 000 000 001

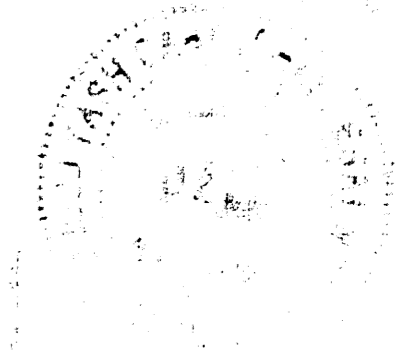
GENERAL NOTES

1. All existing trees in the vicinity of the project area shall be saved. Cost of saving these trees, if any is to be considered incidental to project.
2. Field Engineer shall take ties to all irons in the vicinity of the project area prior to construction. All irons shall be replaced after the construction.
3. All concrete unless otherwise noted shall be "B-mach concrete".

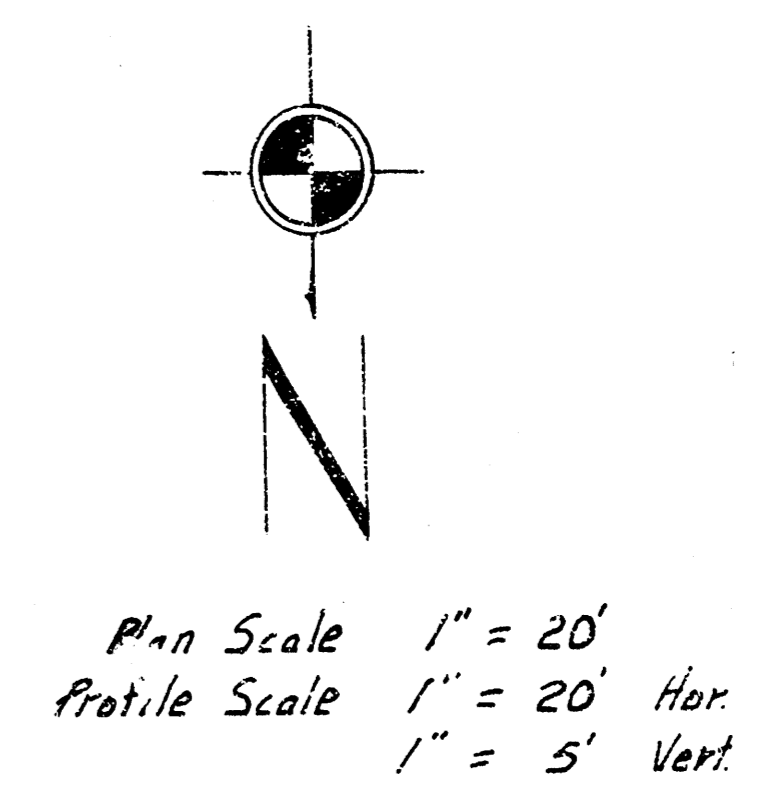


Index

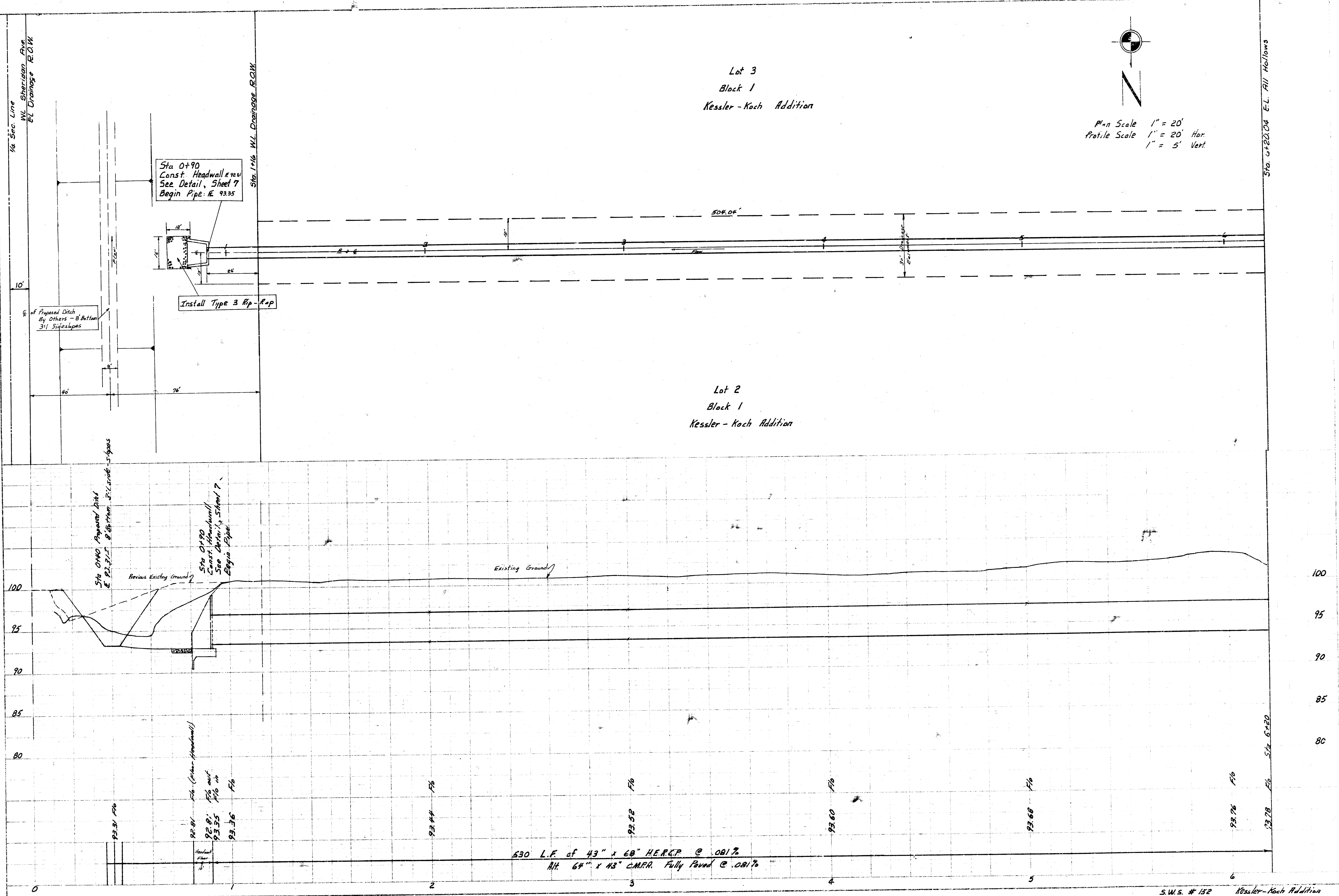
- Sheets 2-5 Plan  
 Sheet 6 Standard Detail of Type 22 Inlet  
 Sheets 7-11 Details of Headwalls + Ditch Inlets



Lot 3  
Block 1  
Kessler-Koch Addition

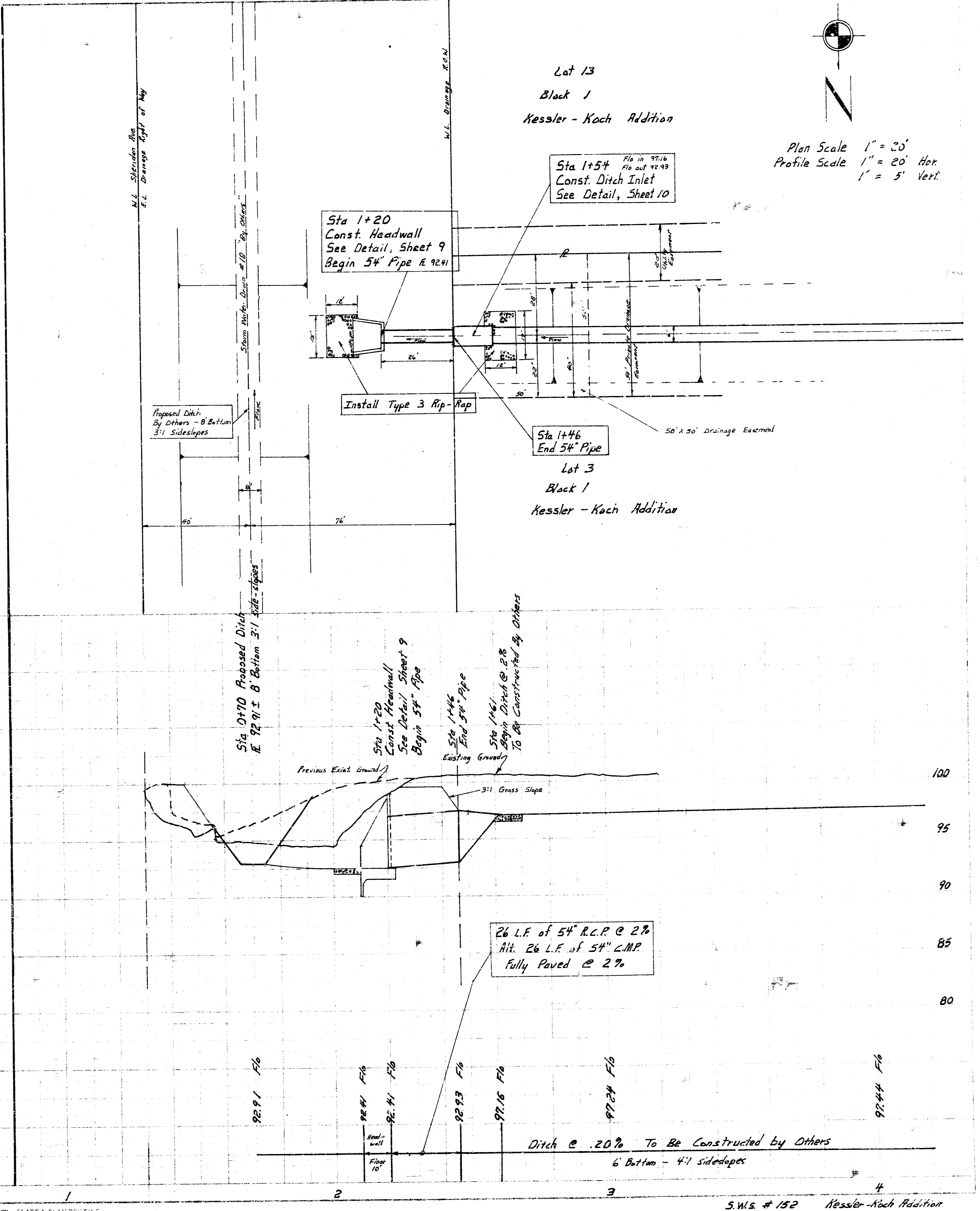
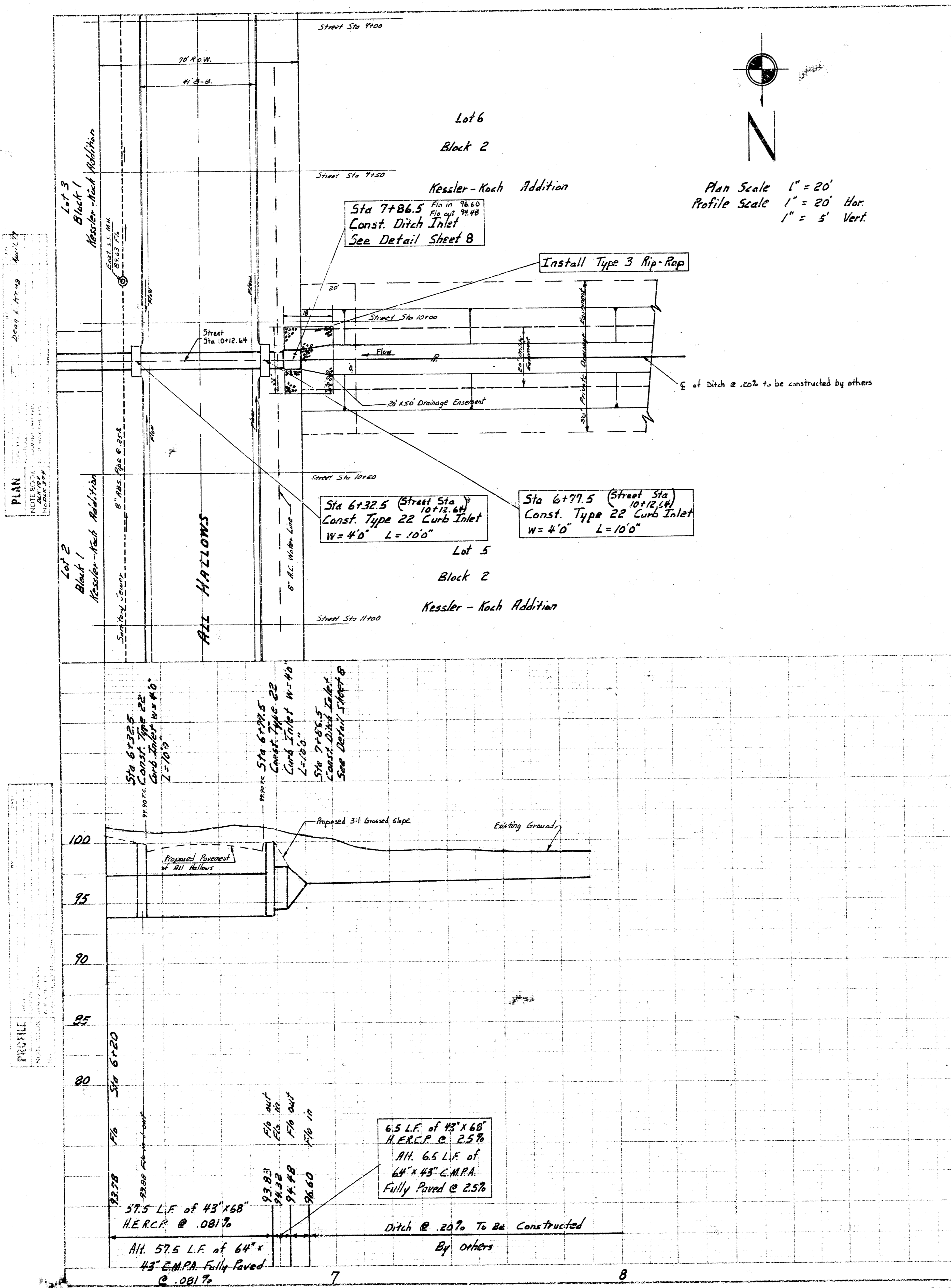


Lot 2  
Block 1  
Kessler-Koch Addition



PLAN  
Drawn by: [Signature]  
Checked by: [Signature]

PROFILE  
Scale: 1" = 5' Vert



Plan Scale 1" = 20'  
 Profile Scale 1" = 20' Hor  
 1" = 5' Vert

PLAN  
 SHEET NO. 408-76-245-807-3-000-000-001  
 DATE 10/1/76

PROFILE  
 SHEET NO. 408-76-245-807-3-000-000-001  
 DATE 10/1/76

PLAN  
 DATE: 10/1/77  
 DRAWN BY: J. J. [unclear]  
 CHECKED BY: [unclear]

PROFILE  
 DATE: 10/1/77  
 DRAWN BY: J. J. [unclear]  
 CHECKED BY: [unclear]



Plan Scale 1" = 20'  
 Profile Scale 1" = 20' Hor  
 1" = 5' Vert

Lot 1  
 Block 1  
 Kessler - Koch Addition

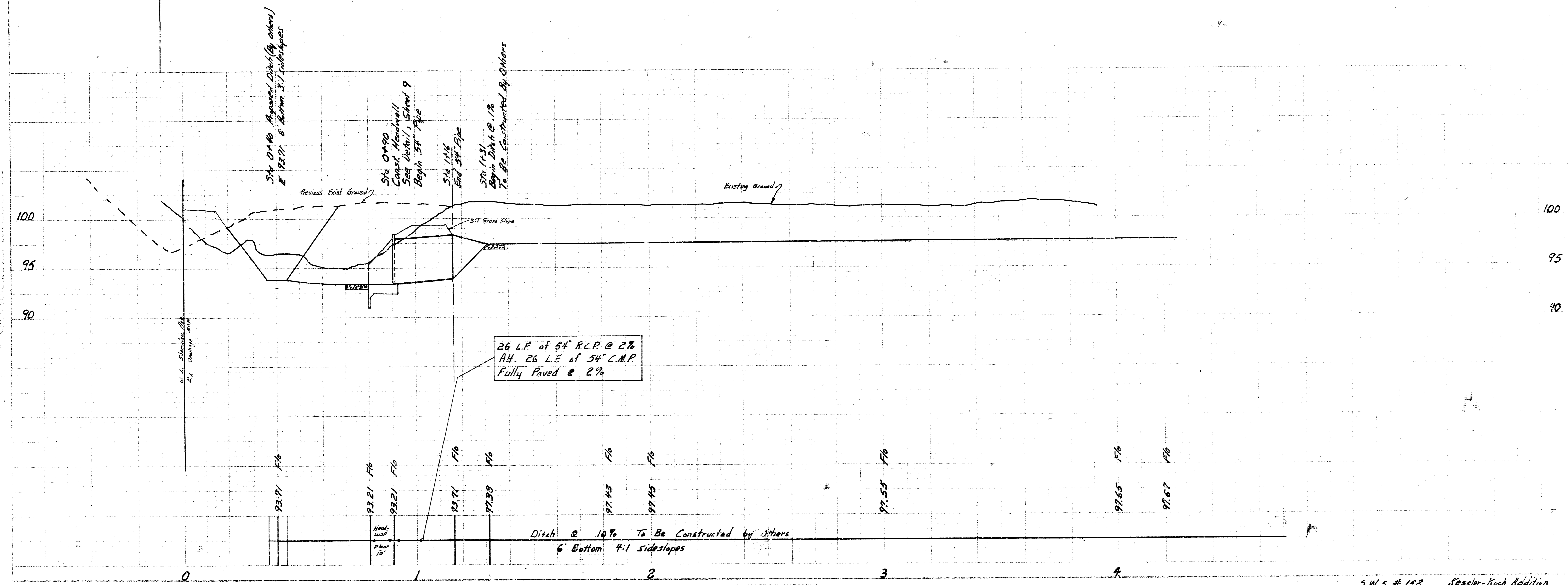
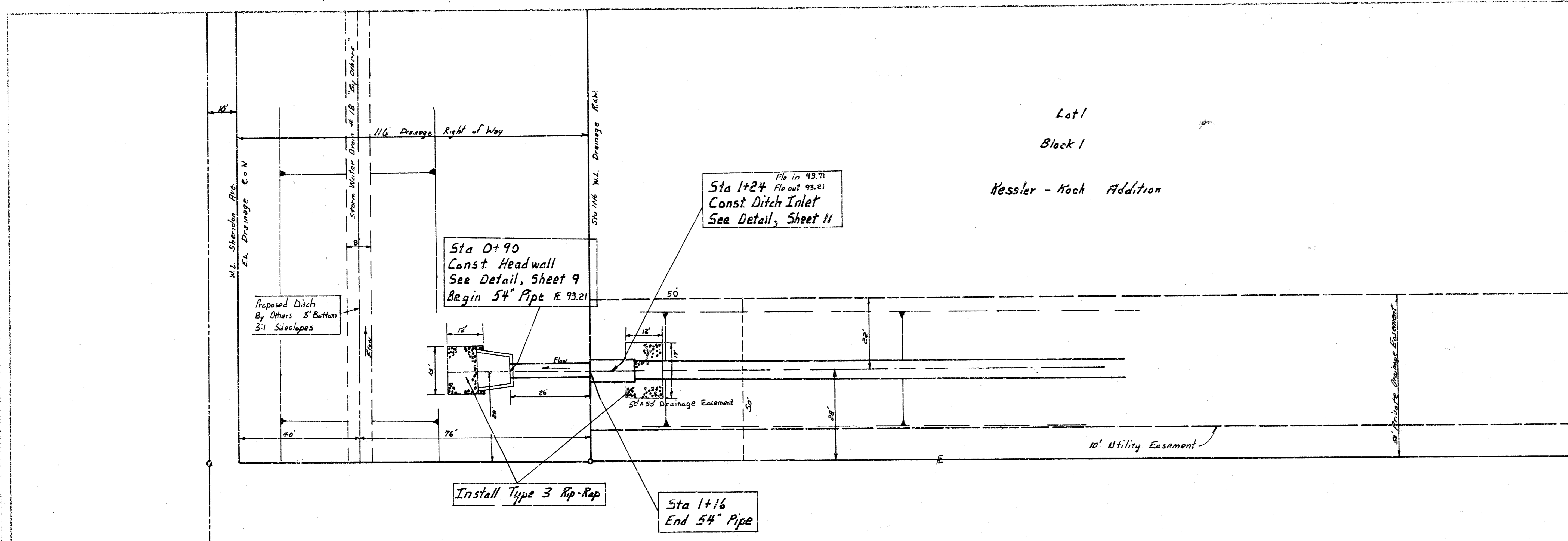


PLATE 1, PLAN PROFILE  
 ADP & P&P CO.  
 35 100' PAID IN FULL

S.W.S. # 152 Kessler-Koch Addition  
 Project No. 460-76-245 13-000-000-001  
 Sheet 4 of 1

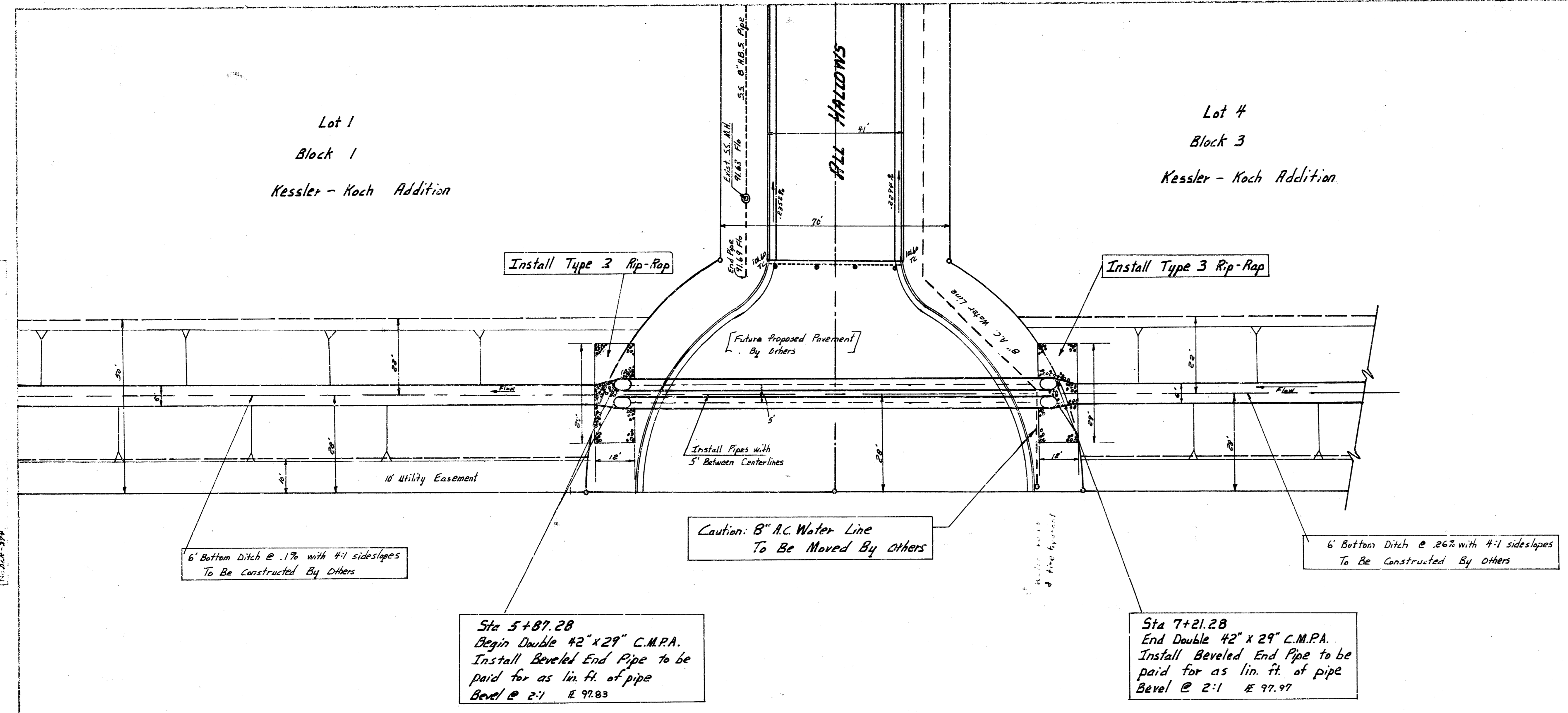
Lot 1  
Block 1  
Kessler - Koch Addition

Lot 4  
Block 3  
Kessler - Koch Addition



Plan Scale 1" = 20'  
Profile Scale 1" = 20' Hor.  
1" = 5' Vert.

PLAN  
DATE: 10/1/74  
DRAWN BY: [illegible]  
CHECKED BY: [illegible]



Sta 5+87.28  
Begin Double 42" x 29" C.M.P.A.  
Install Beveled End Pipe to be  
paid for as lin. ft. of pipe  
Bevel @ 2:1 @ 97.83

Sta 7+21.28  
End Double 42" x 29" C.M.P.A.  
Install Beveled End Pipe to be  
paid for as lin. ft. of pipe  
Bevel @ 2:1 @ 97.97

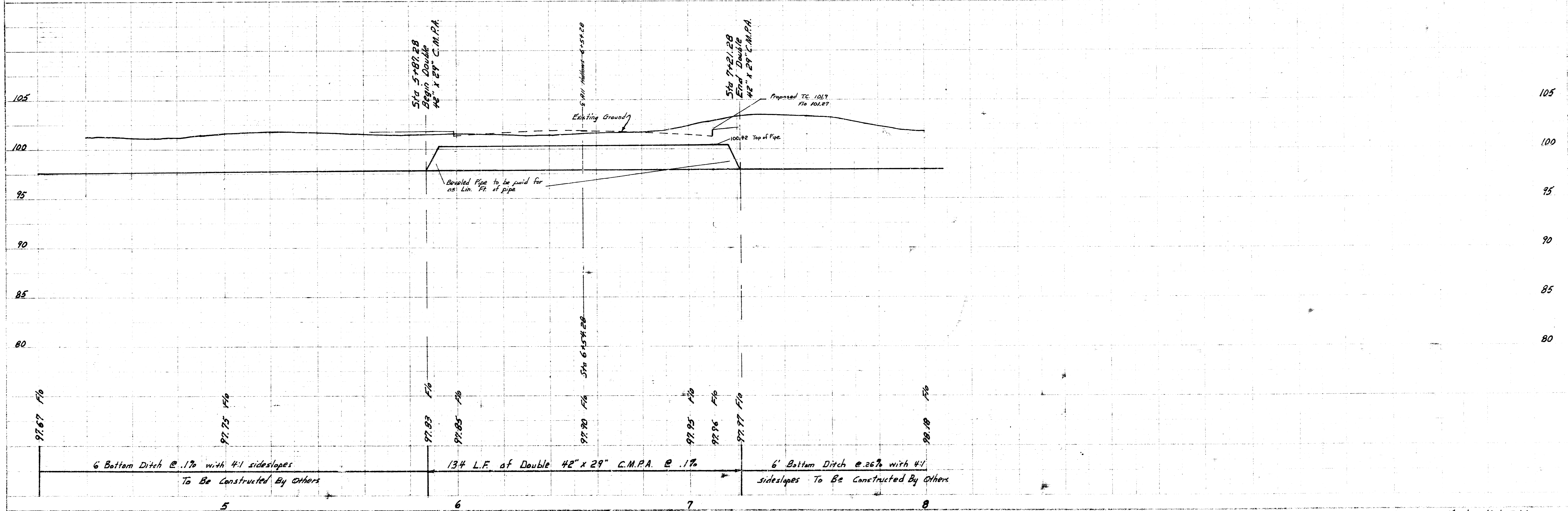
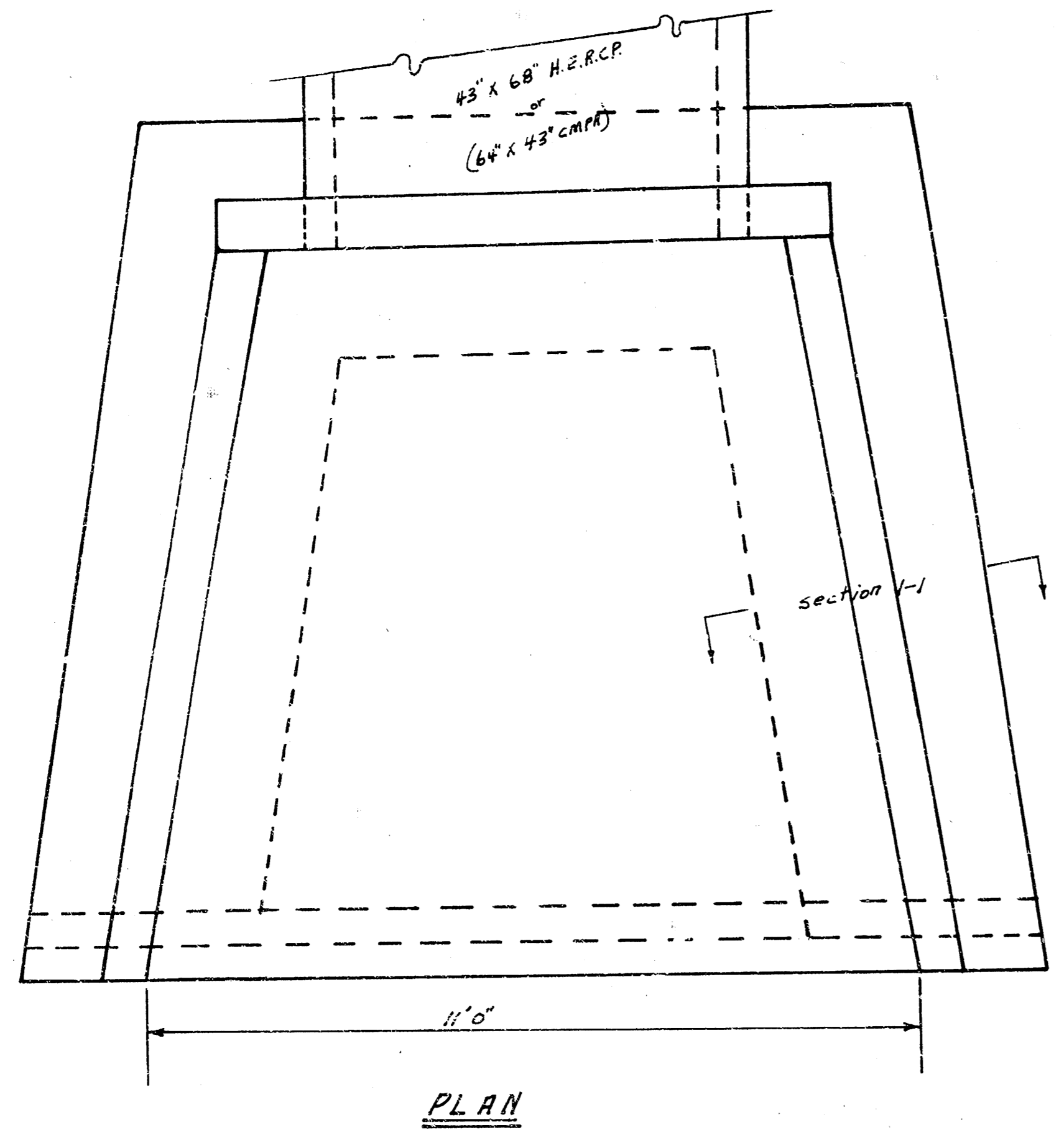
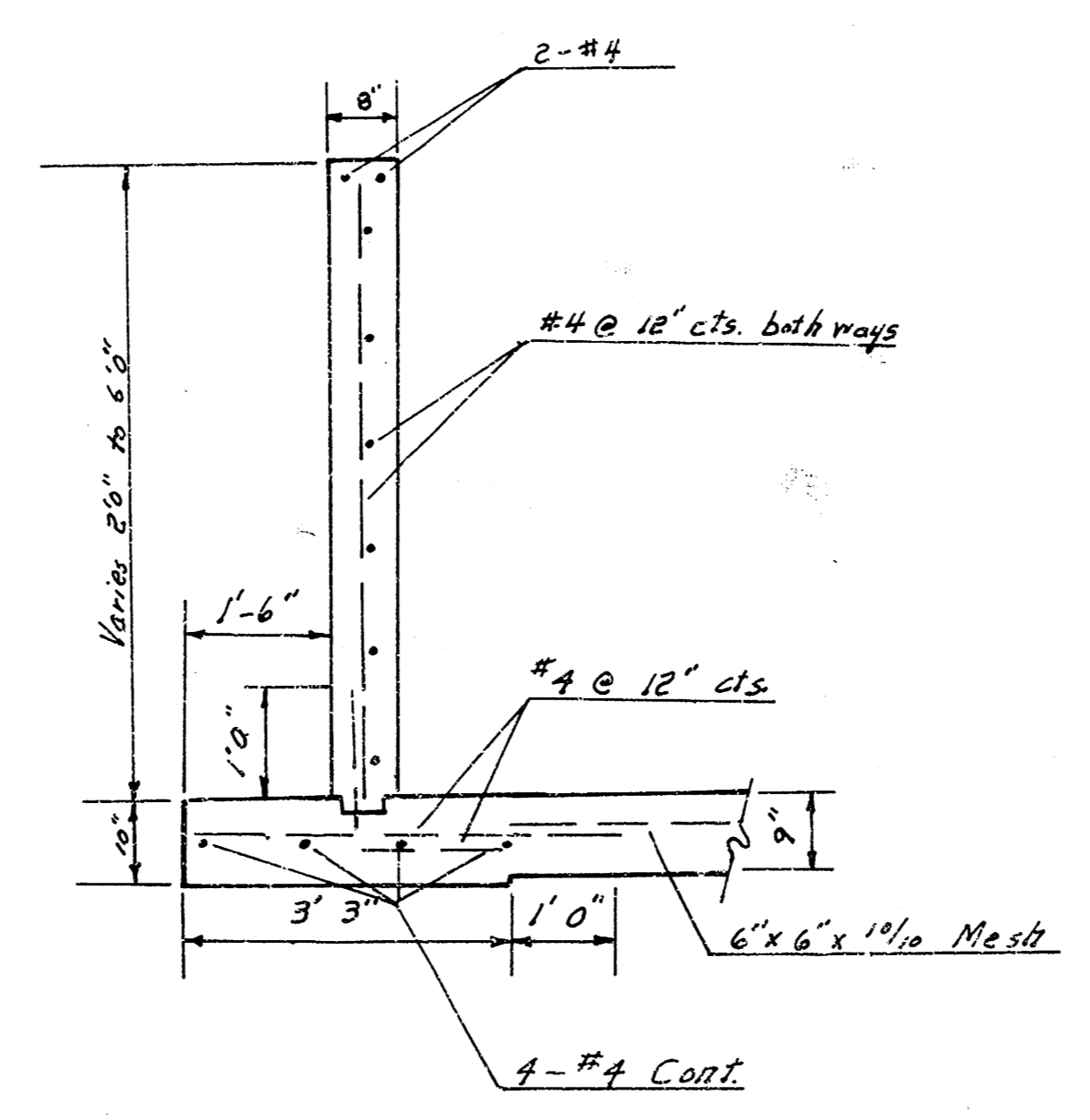


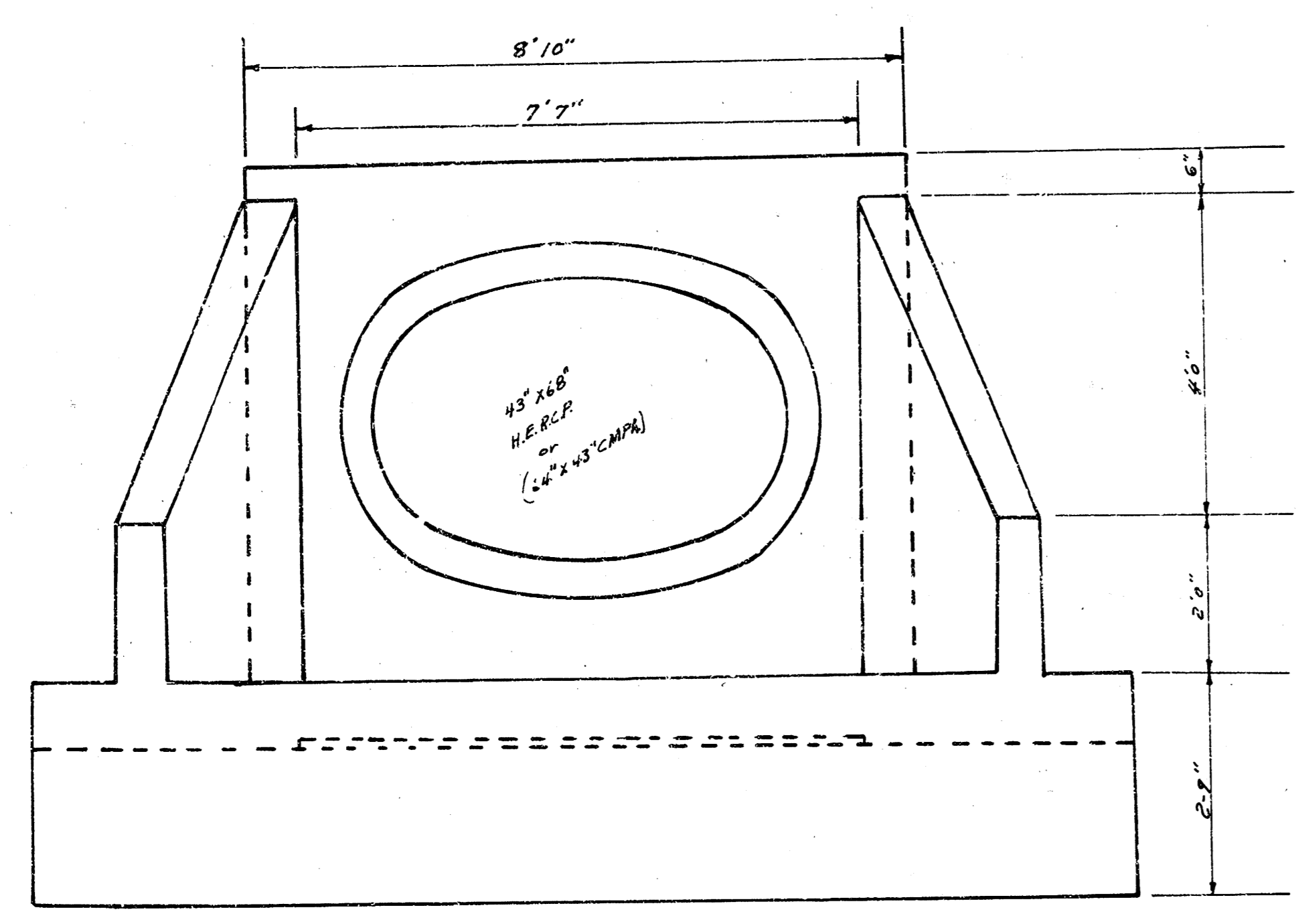
PLATE 1 PLAN/PROFILE  
[illegible]  
[illegible]



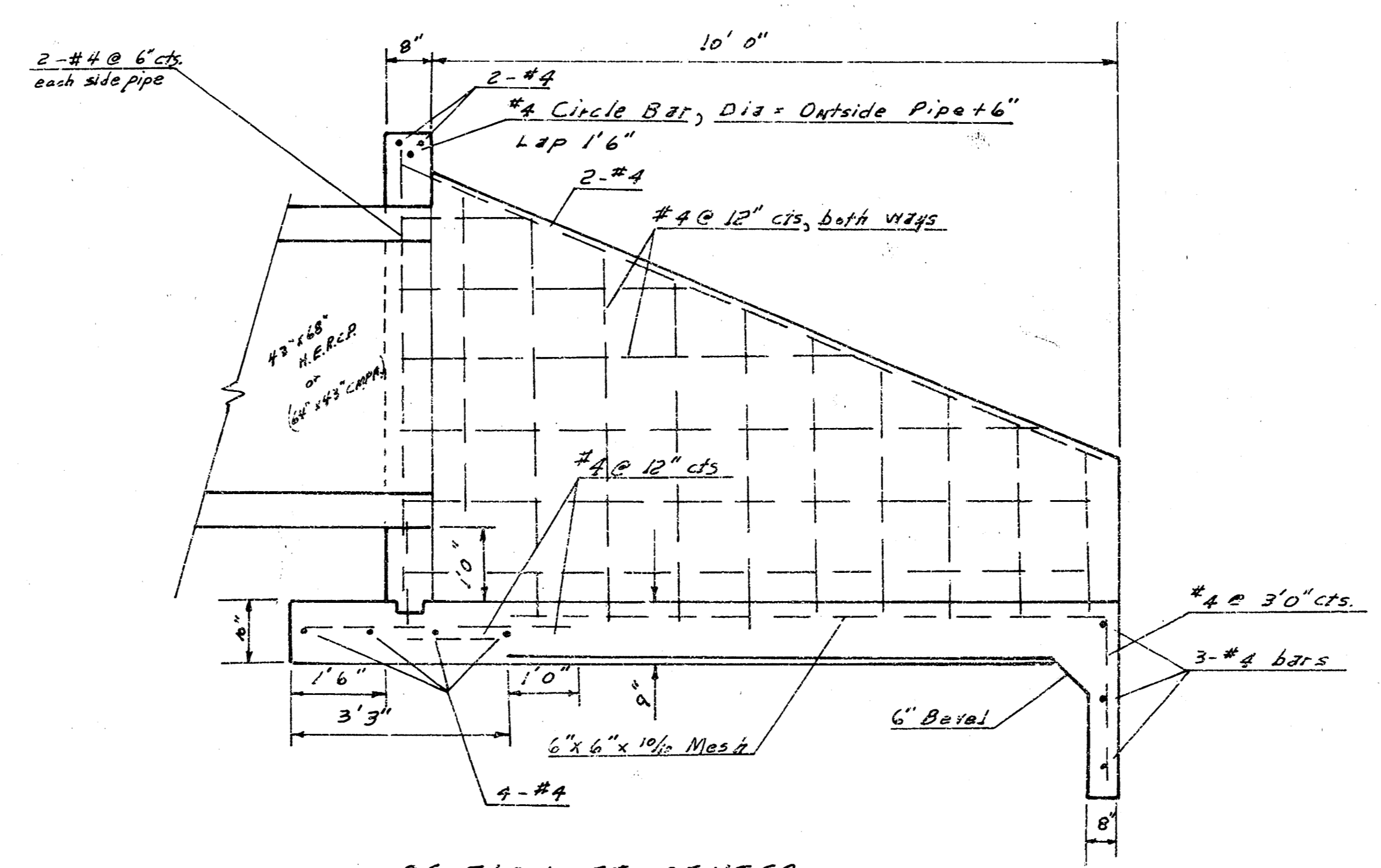
PLAN



SECTION 1-1

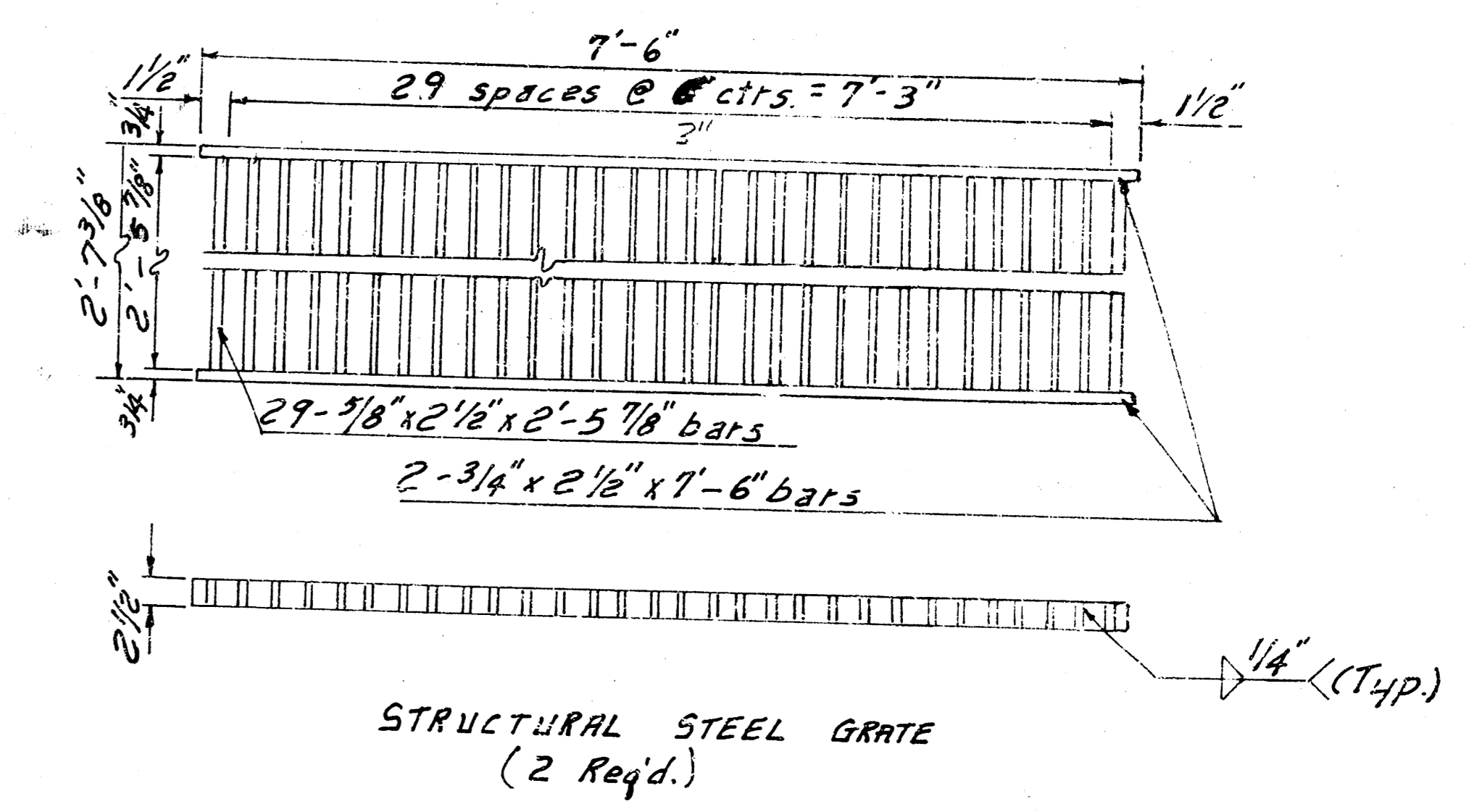
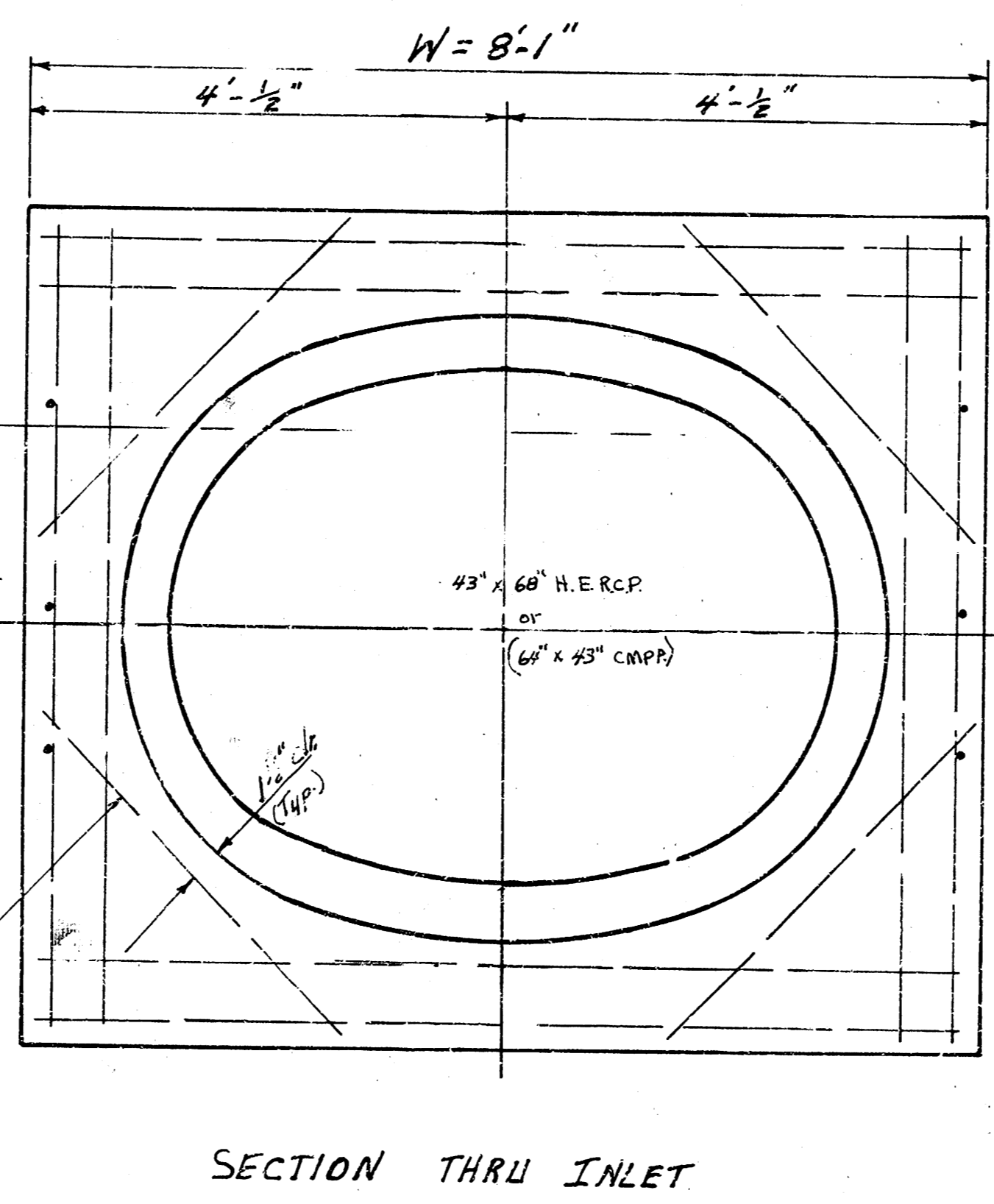
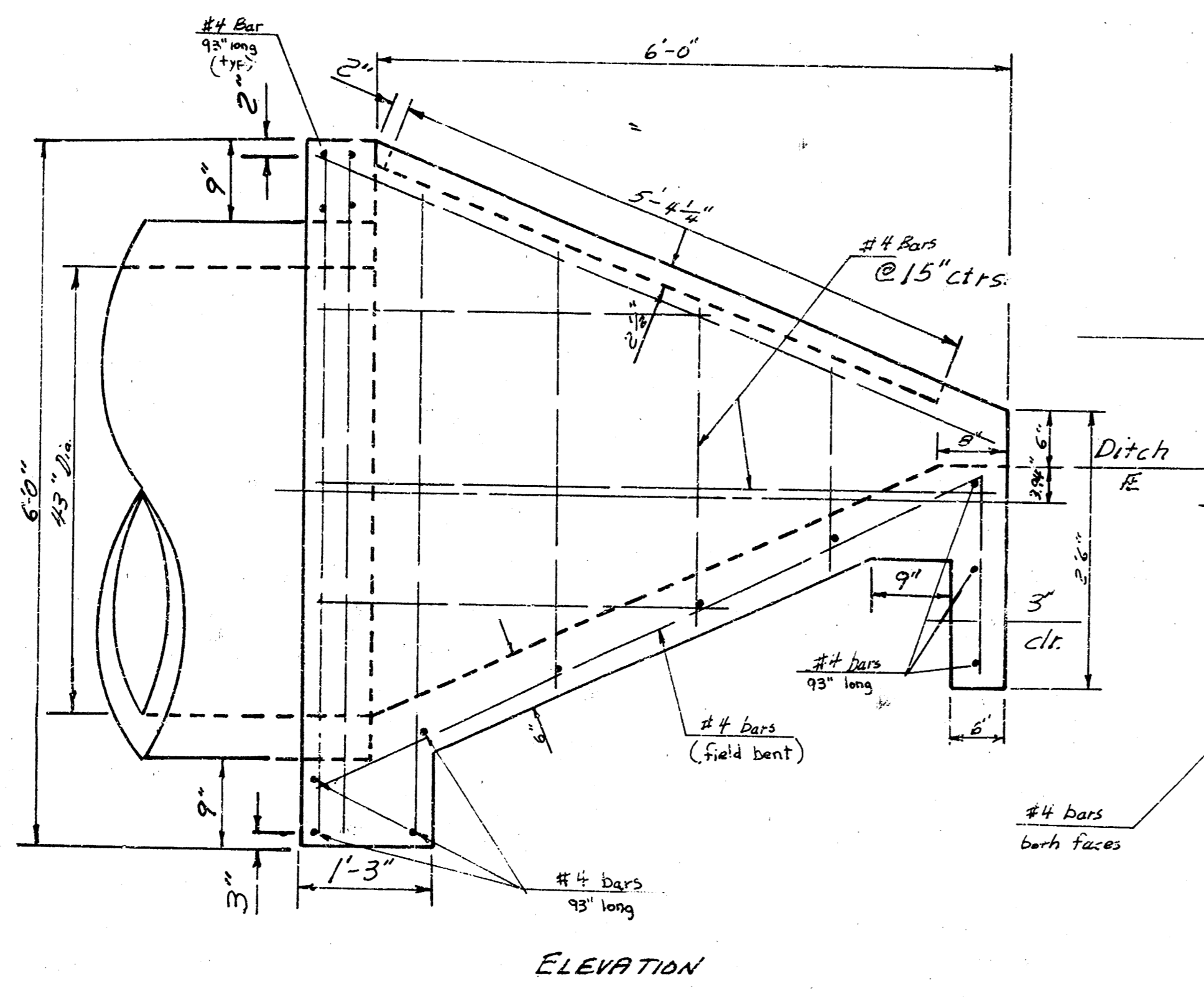
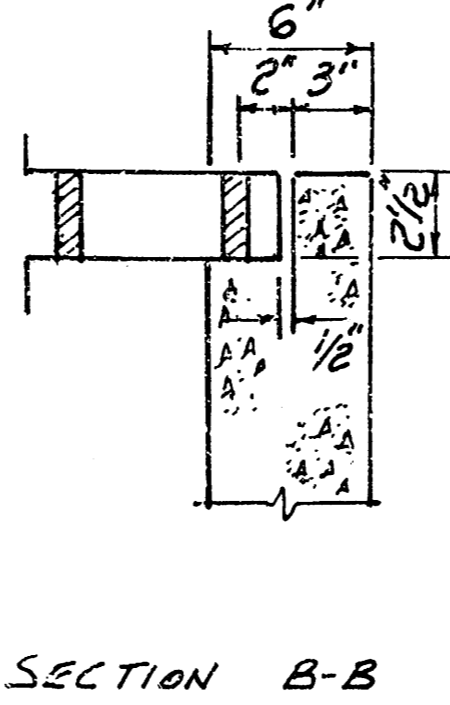
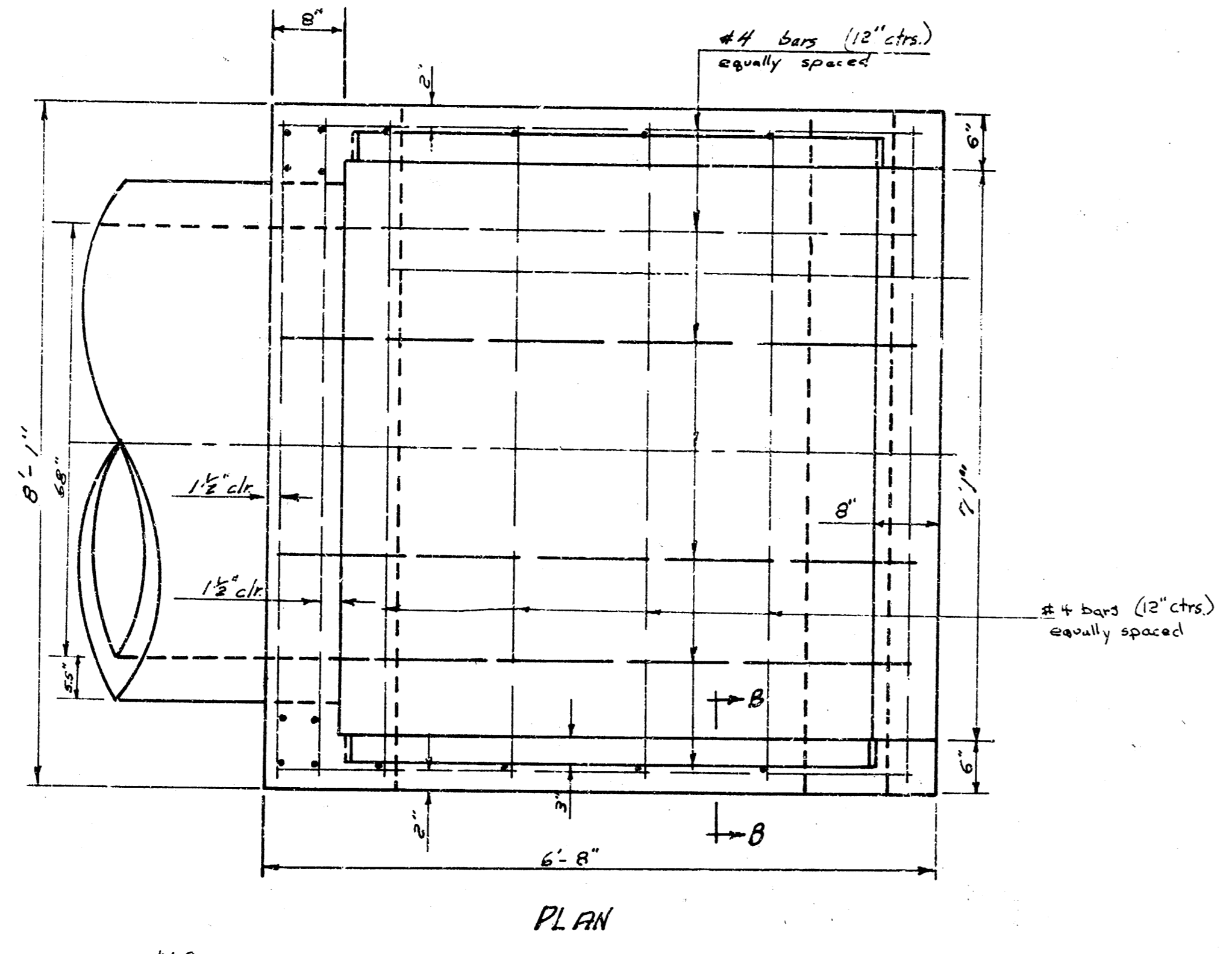


FRONT

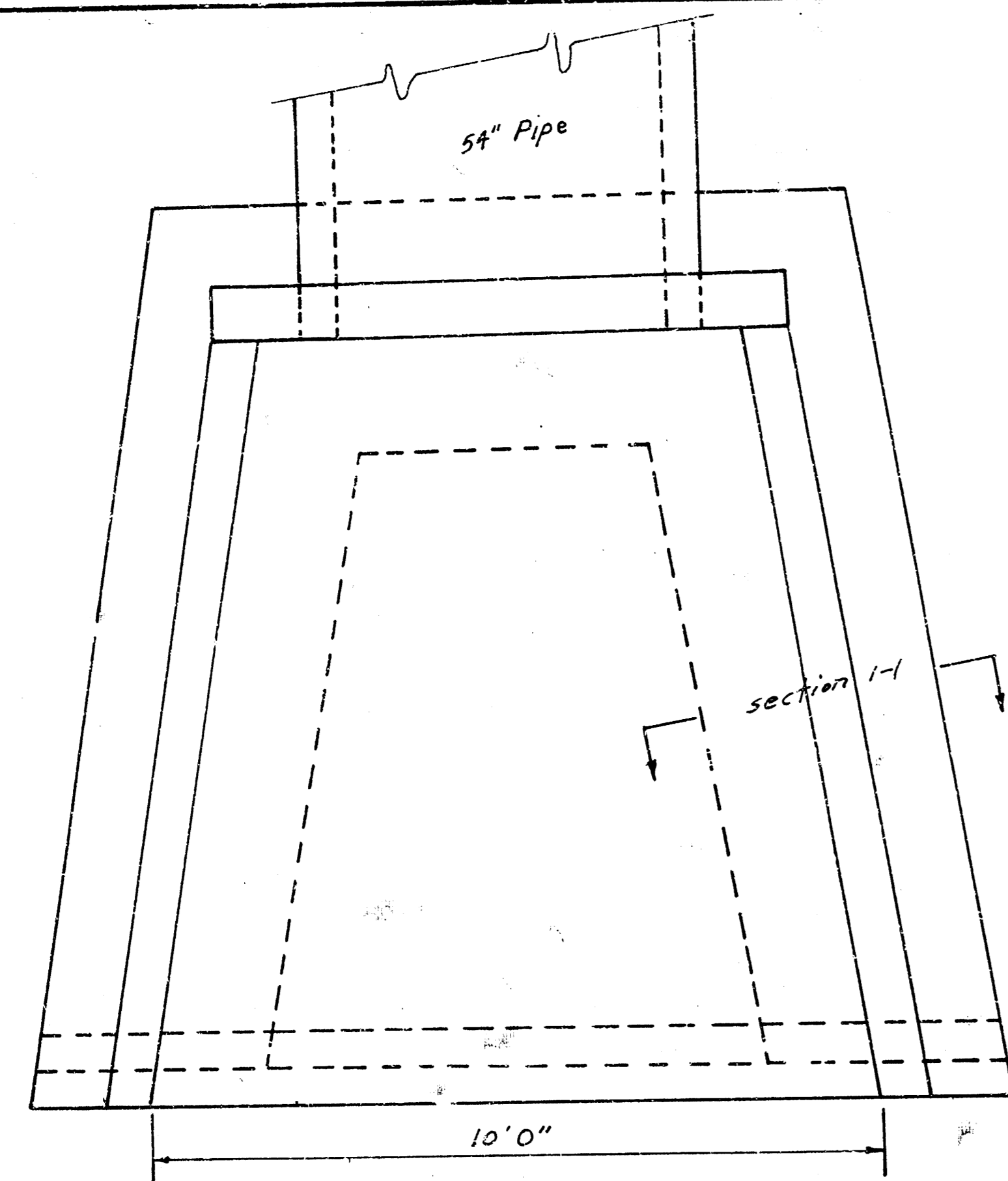


SECTION AT CENTER

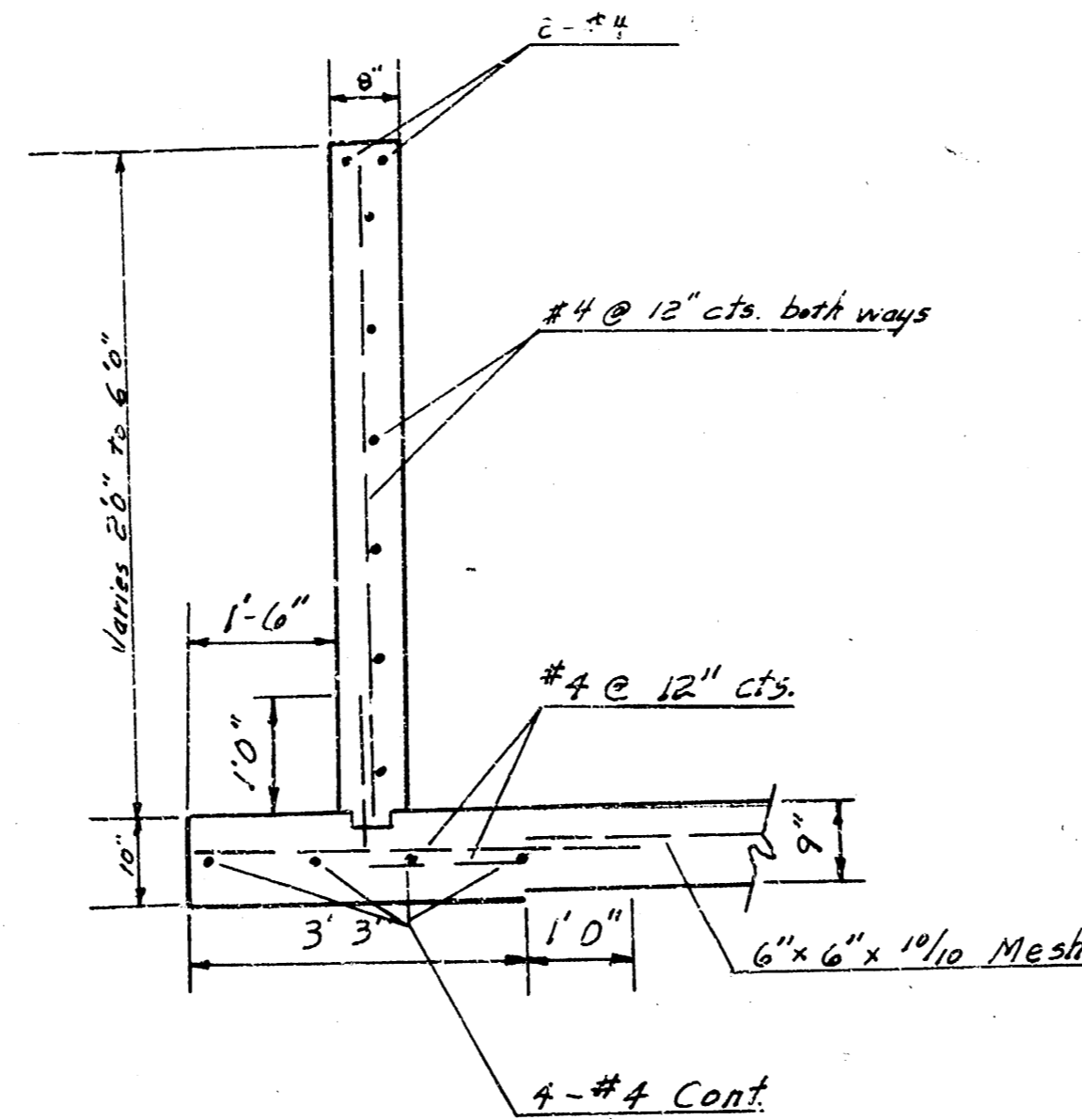
Detail of Headwall  
(No Scale)  
For Plan see Sheet 2



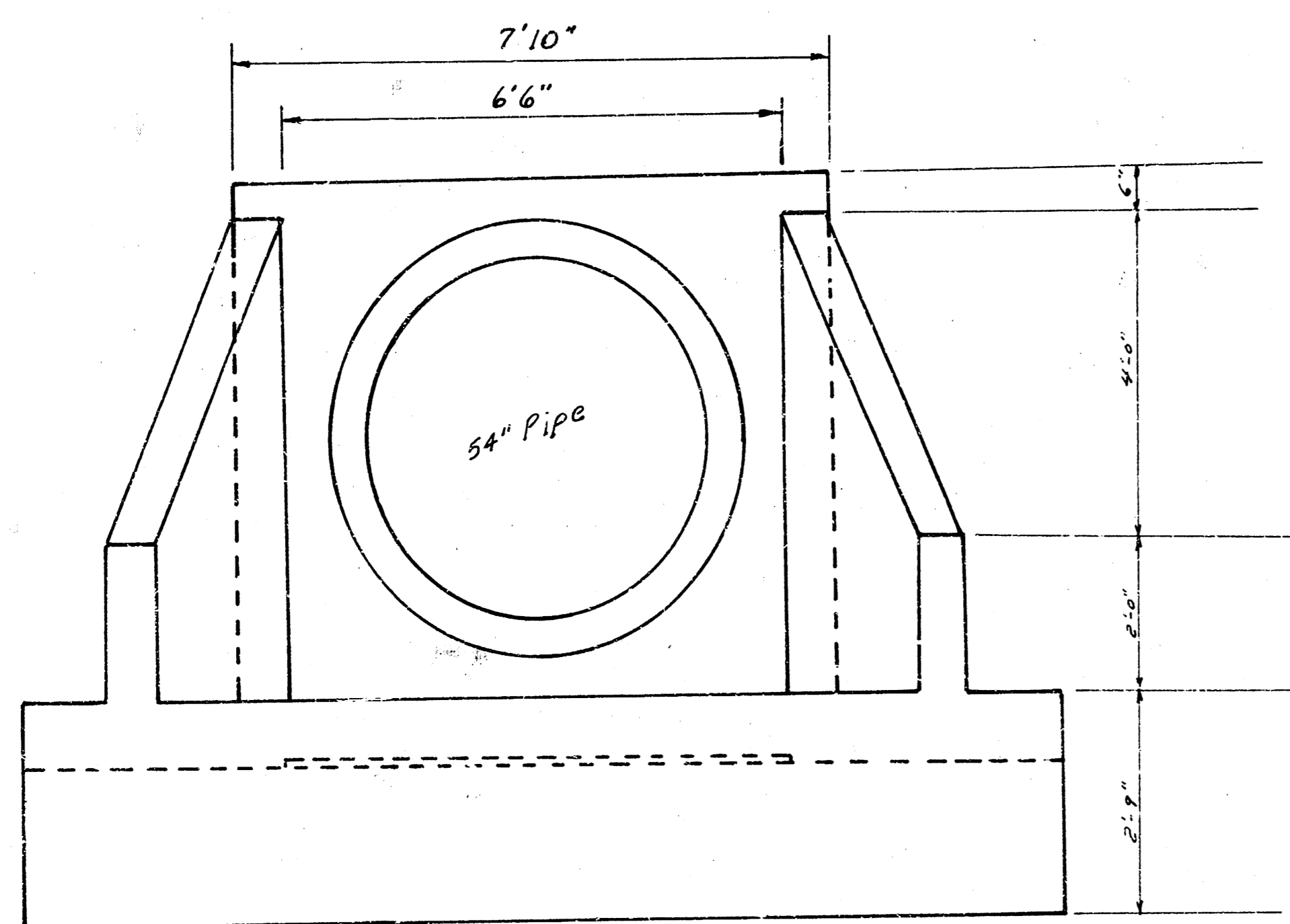
Detail of Ditch Inlet  
For Plan See Sheet 3



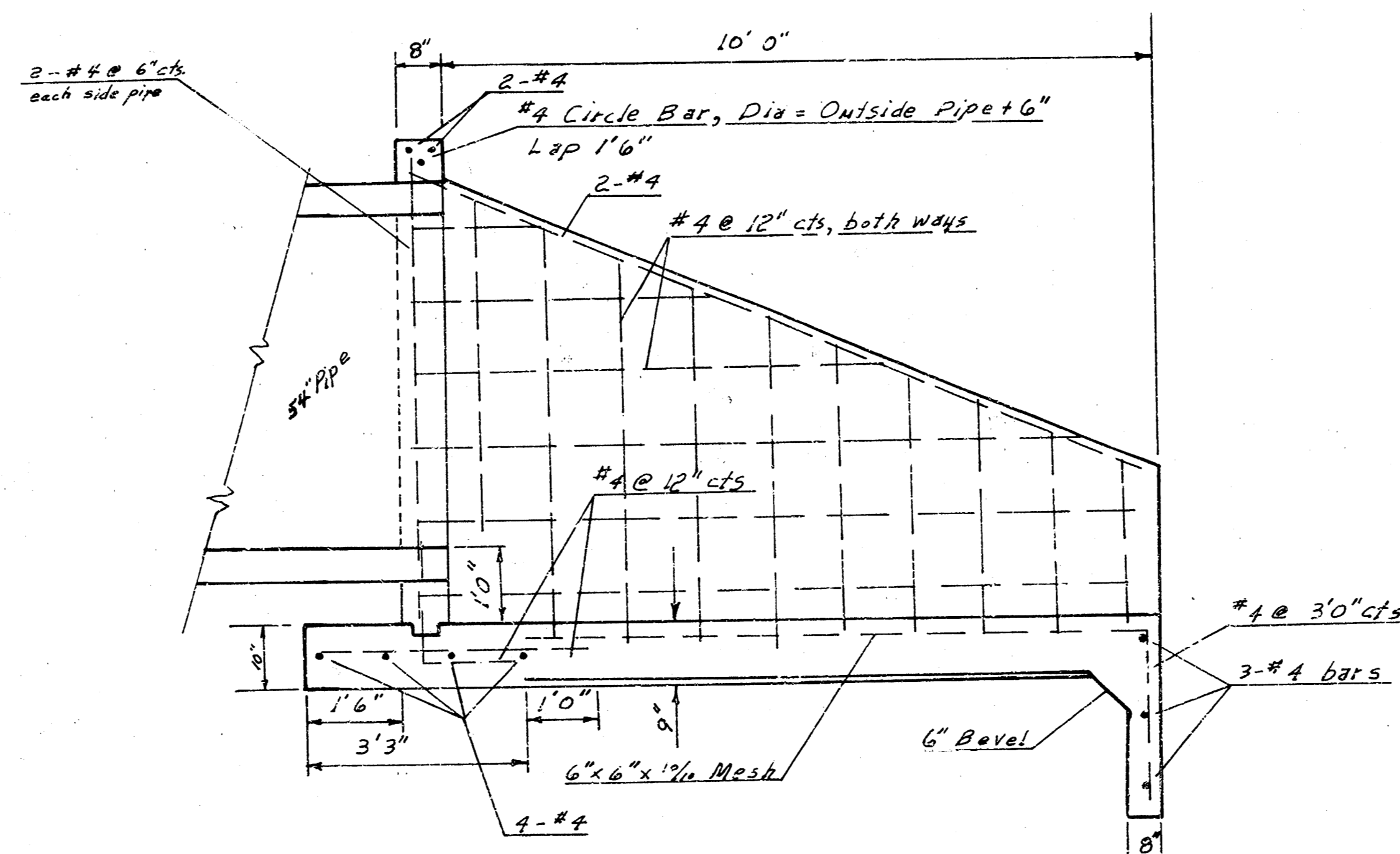
PLAN



SECTION 1-1



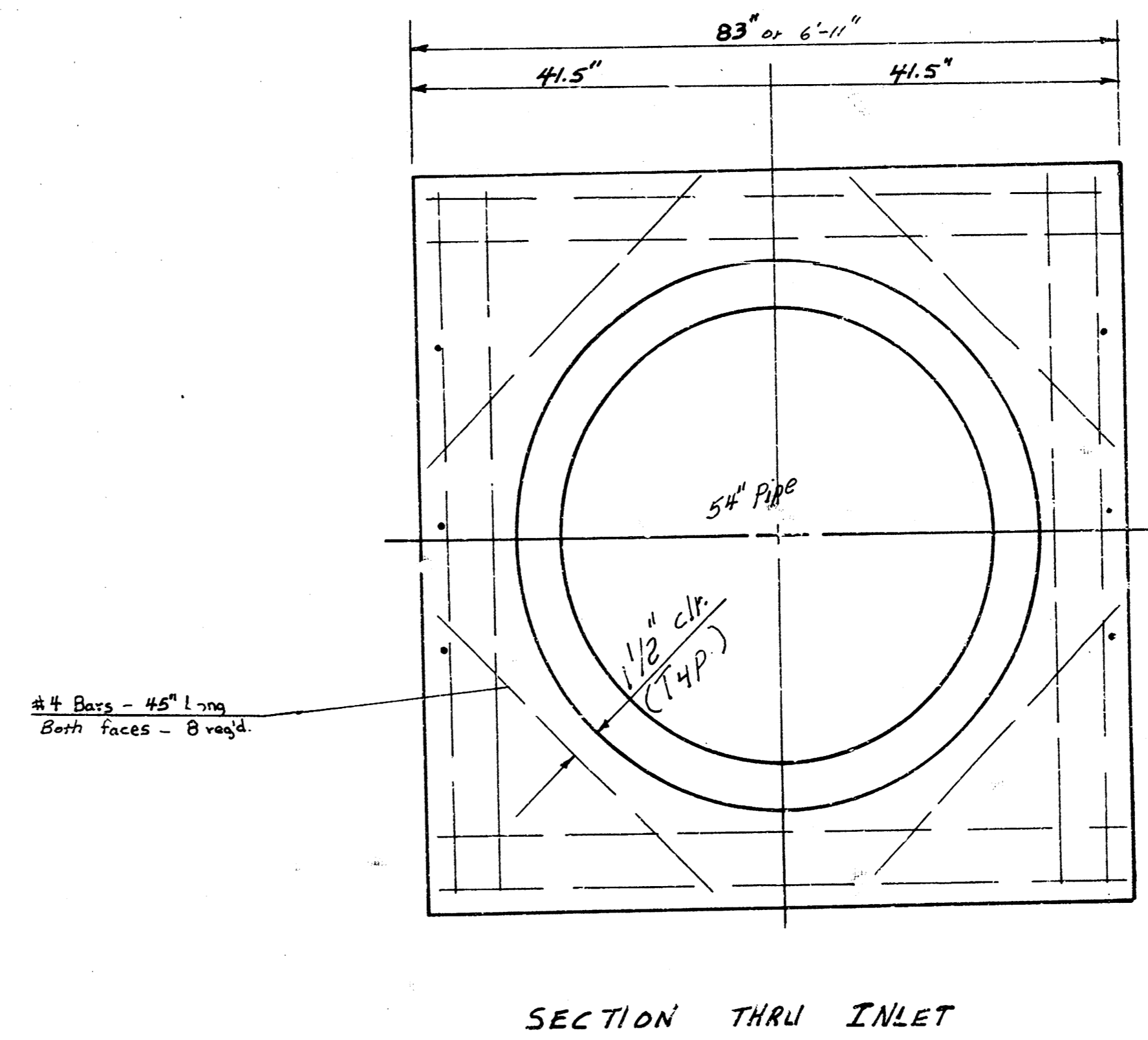
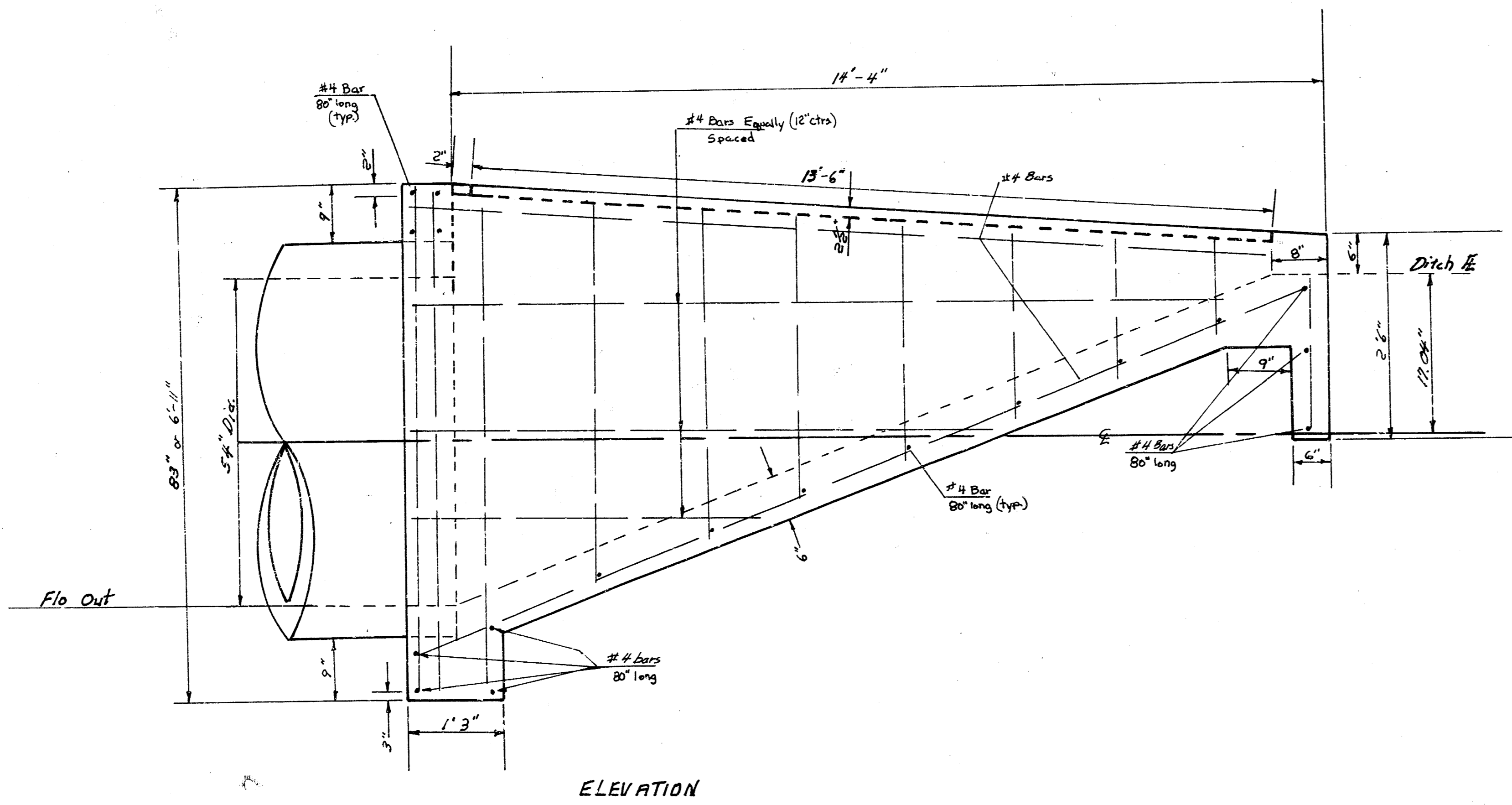
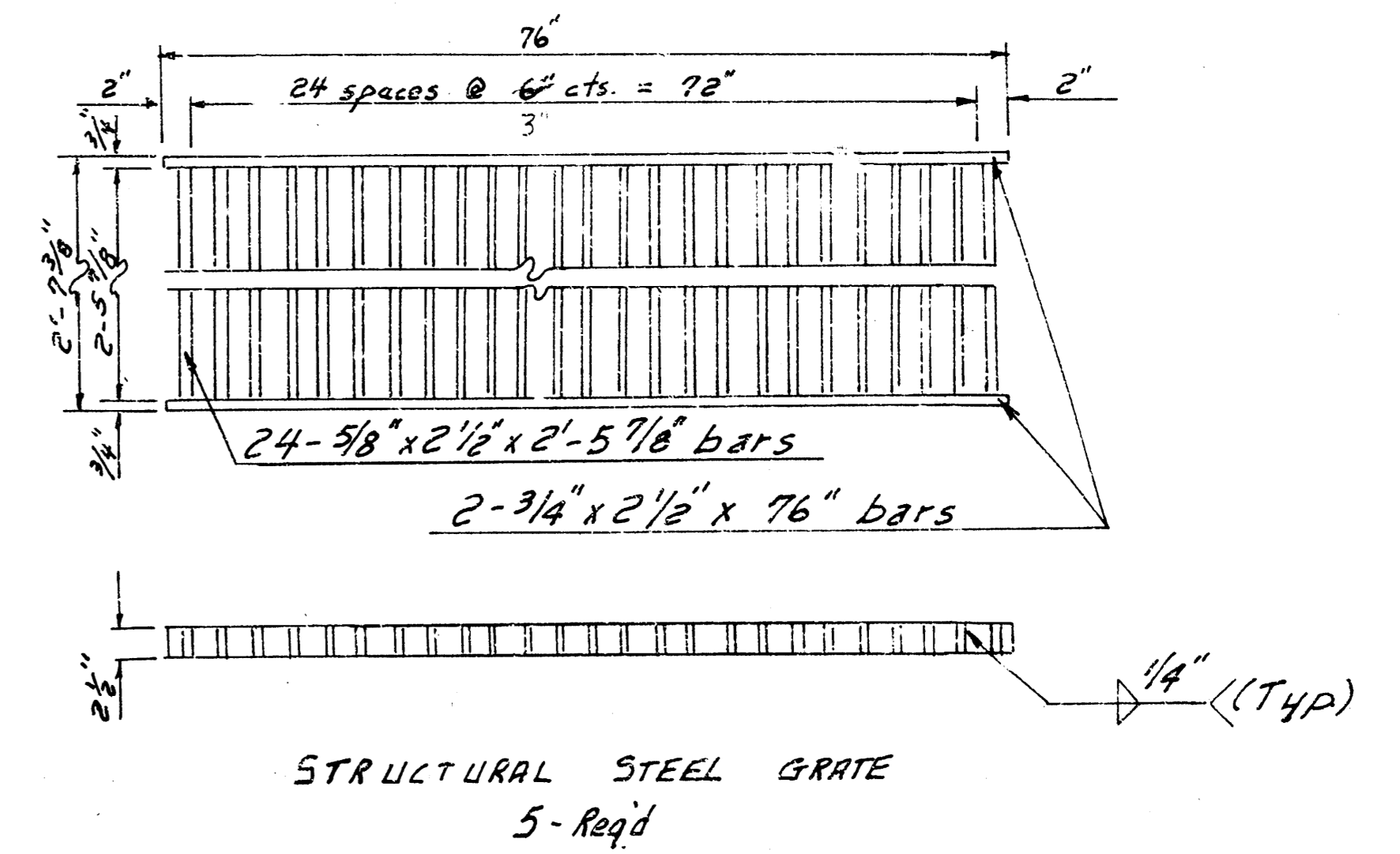
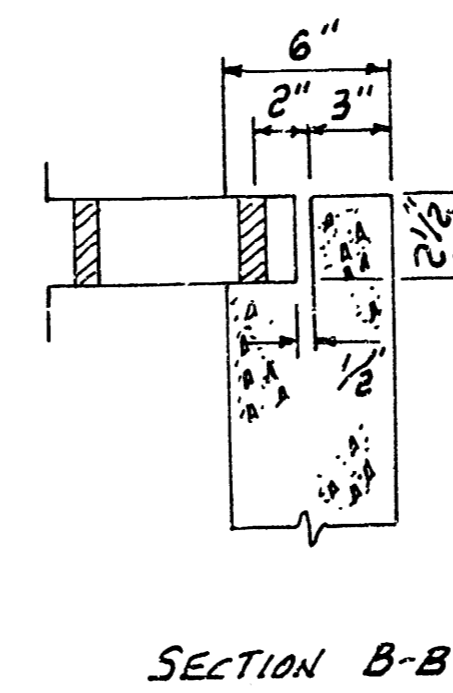
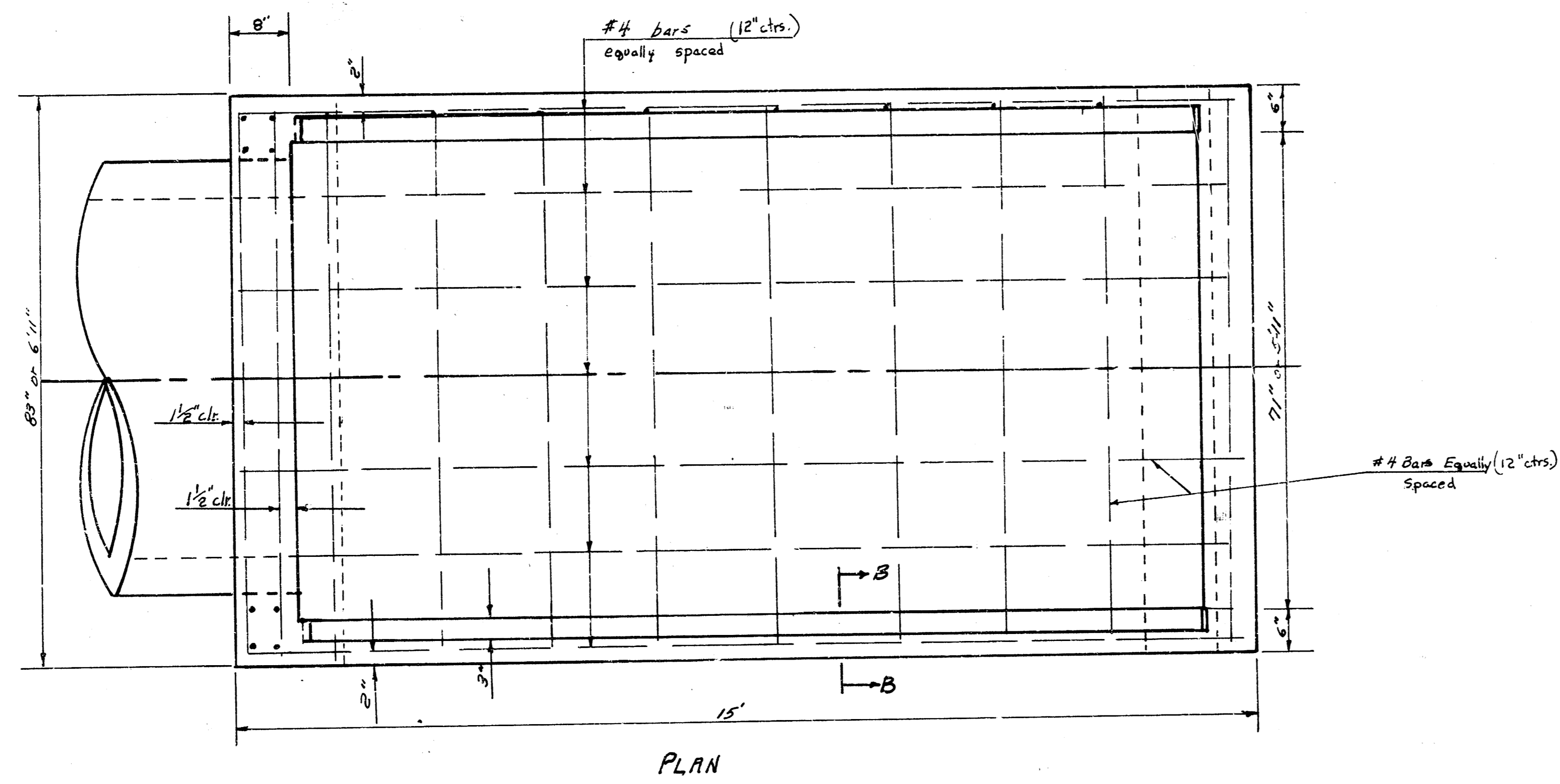
FRONT



SECTION AT CENTER

Detail of Headwall  
(No Scale)  
For Plan See Sheets 3 and 4





Detail of Ditch Inlet (No Scale)  
For Plan See Sheet 4