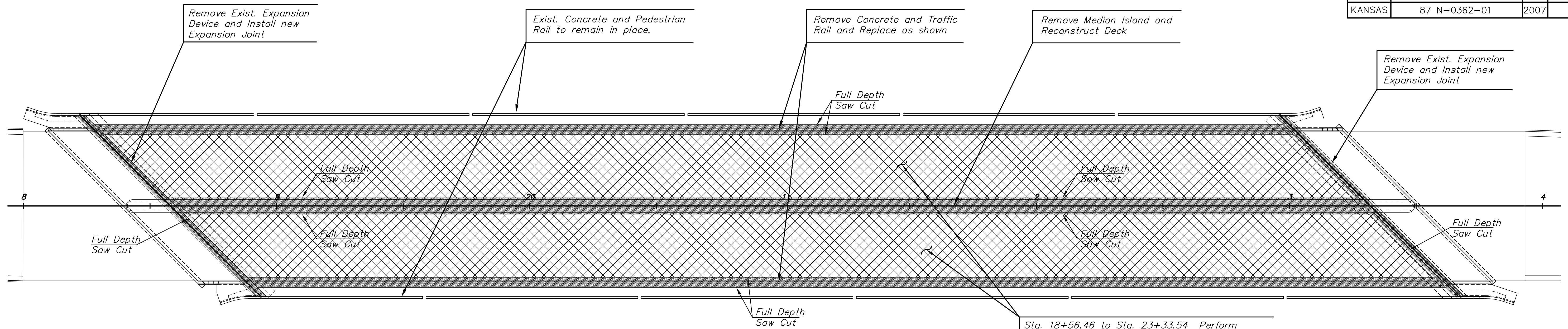


STATE	PROJECT NO.	YEAR	SHEET NO.	TOTAL SHEETS
KANSAS	87 N-0362-01	2007	8	48

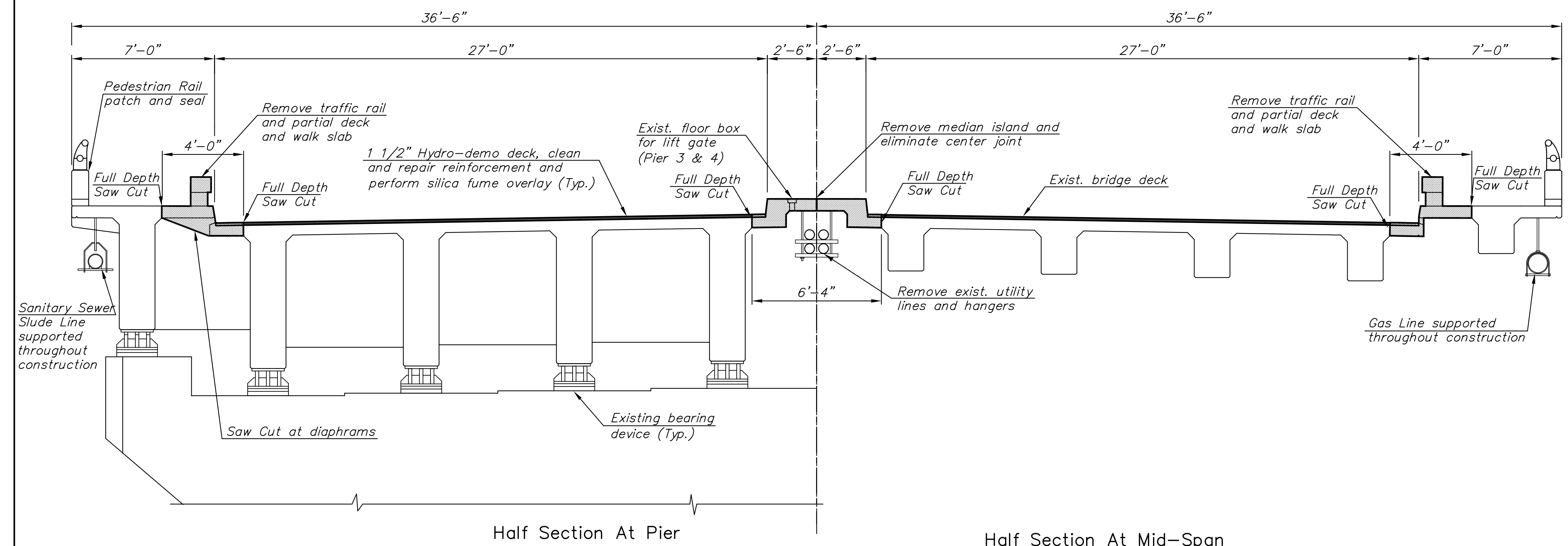


**BRIDGE DECK PLAN**

Sta. 18+56.46 to Sta. 23+33.54 Perform 2,503 S.Y. of 1 1/2" hydrodemolition on existing bridge deck. Prepare areas for patching as delineated by the Engineer (60% of Deck Area). Install 1 1/2" Silica Fume Overlay over prepared surface.

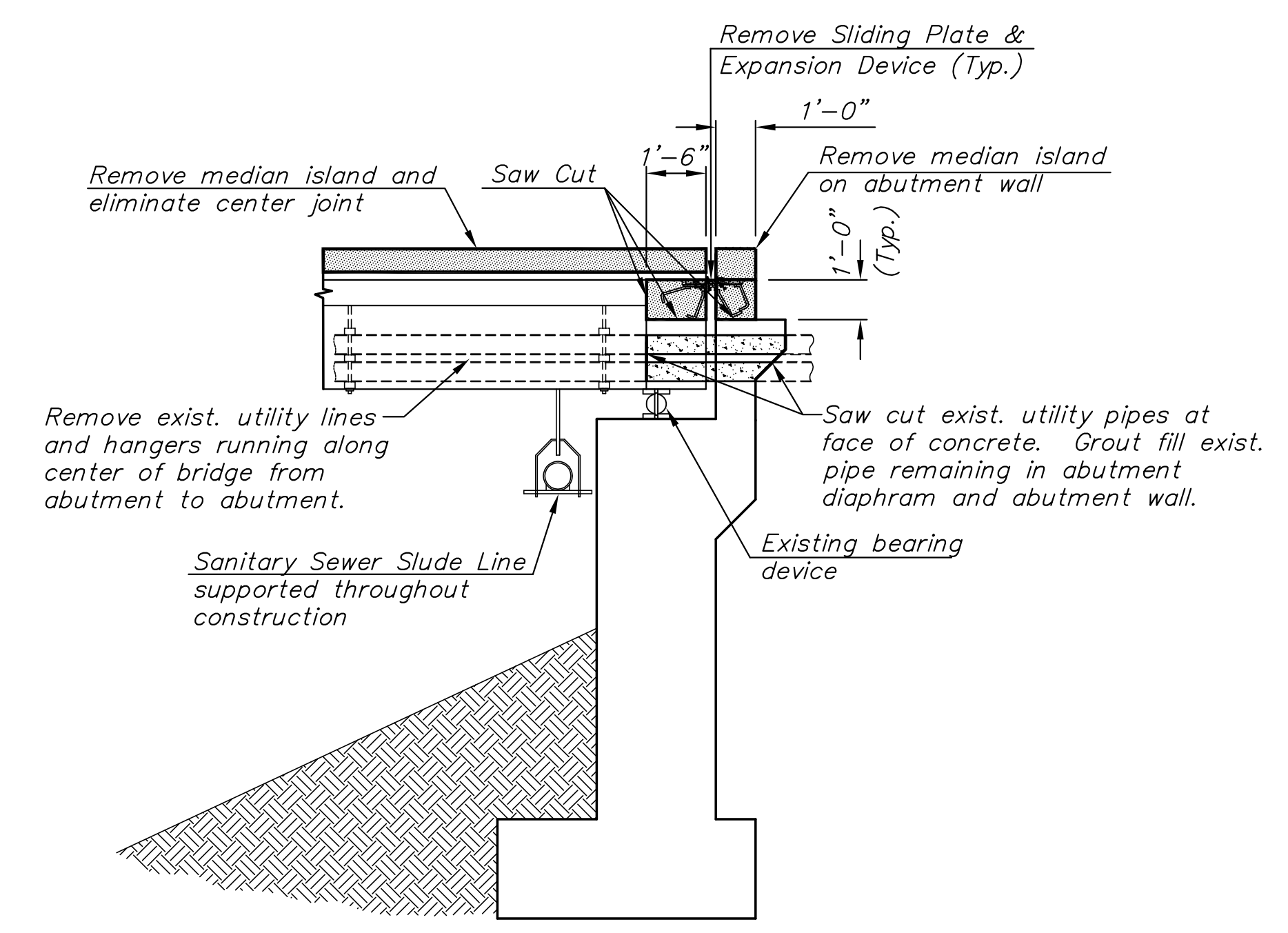
**LEGEND**

- Hydrodemolition
- Concrete Removal



**BRIDGE DECK SECTION**

(Shown perpendicular to bridge centerline)



**ABUTMENT SECTION AT C**

J:\Civil\04223\dwg\BRIDGE\04223HYD.dwg 09/17/2007 10:47:23 AM CST

KANSAS DEPARTMENT OF TRANSPORTATION

**HYDRODEMOLITION AND REMOVAL DETAILS**

PROJ. NO. 87 N-0362-01 SEDGWICK CO.

MKEC ENGINEERING CONSULTANTS, INC.  
WICHITA, KANSAS

DESIGNED BY:	JAG	CHECKED BY:	KJS
DRAWN BY:	DPG	DATE:	4-23-07

SHEET 8 OF 48