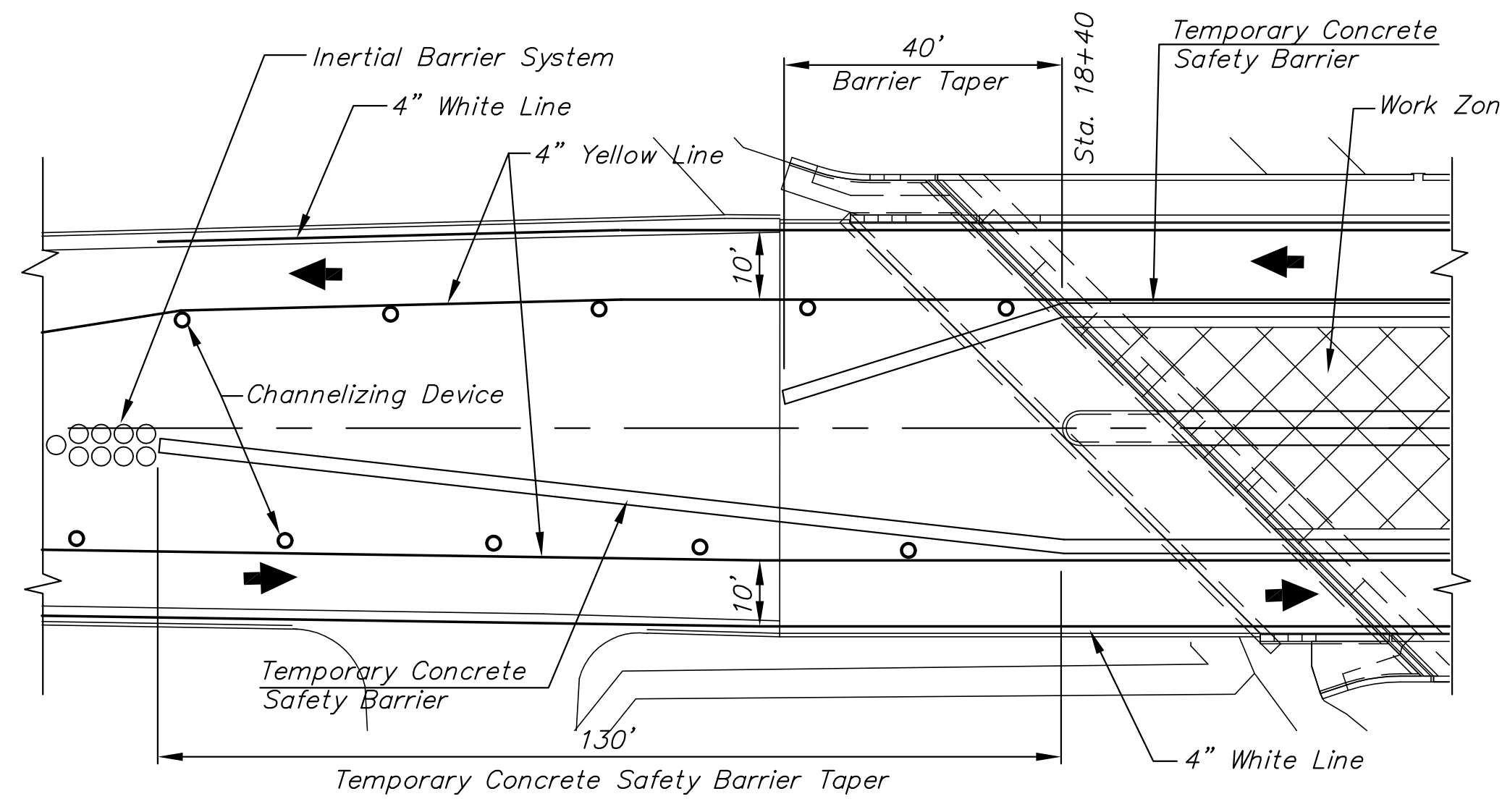
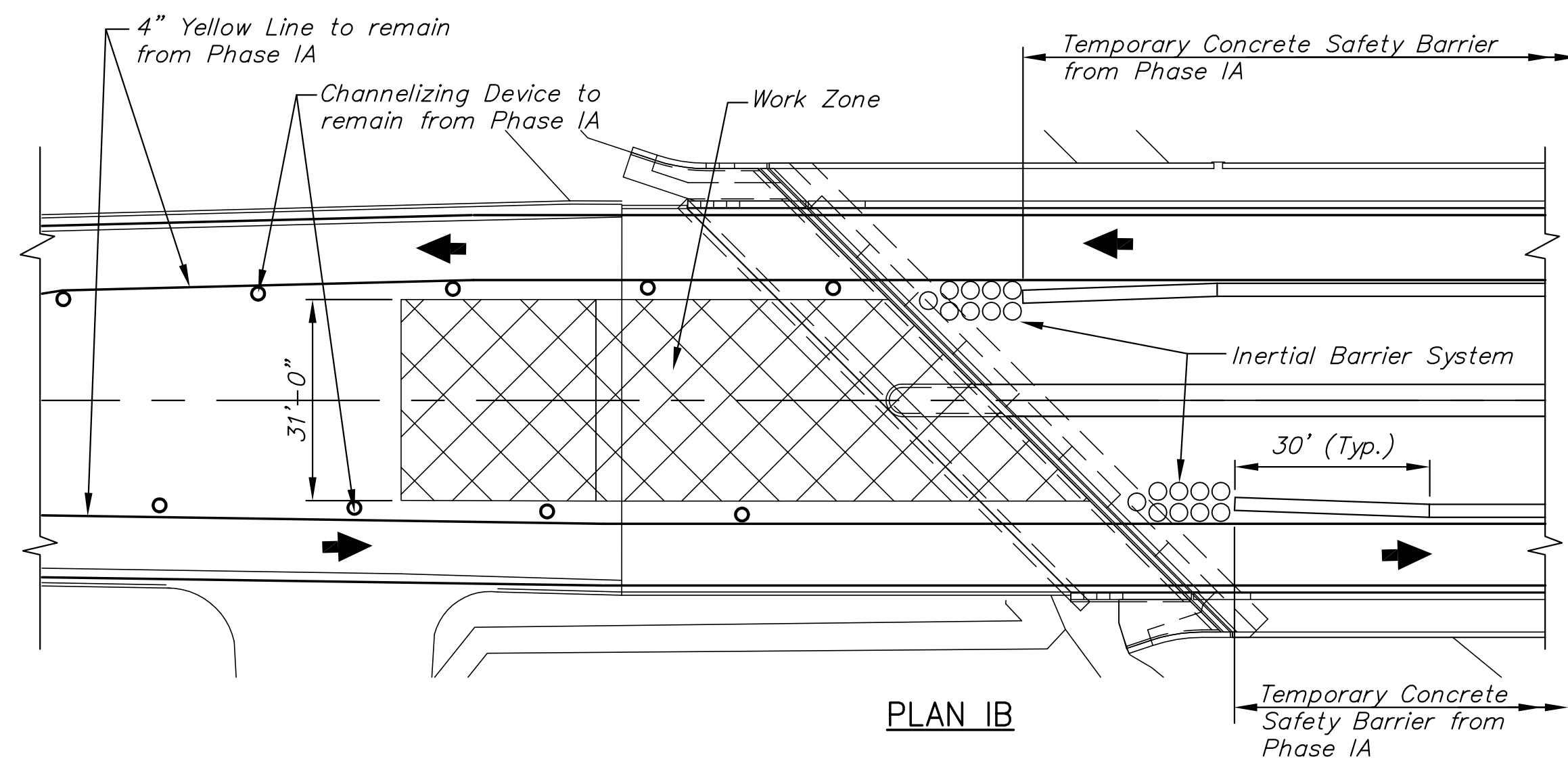


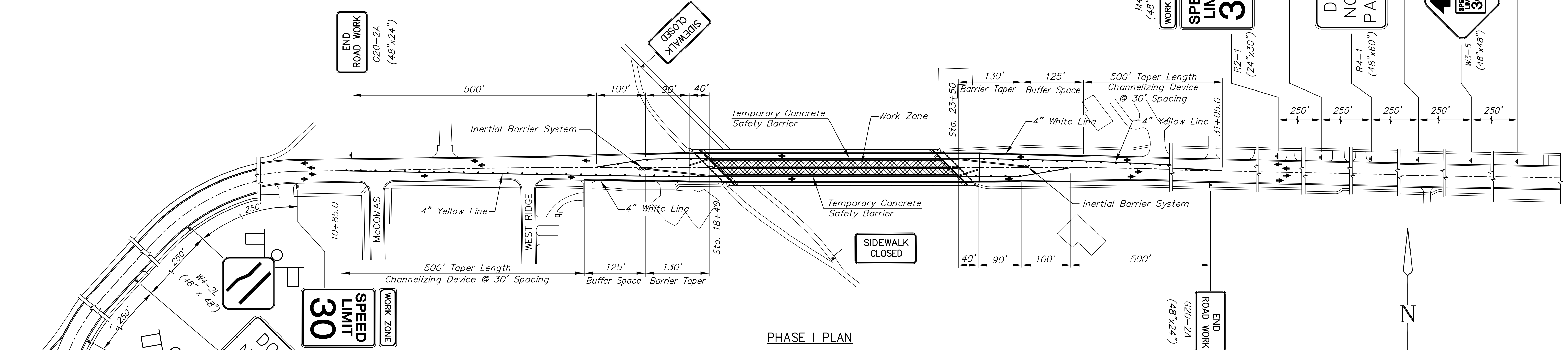
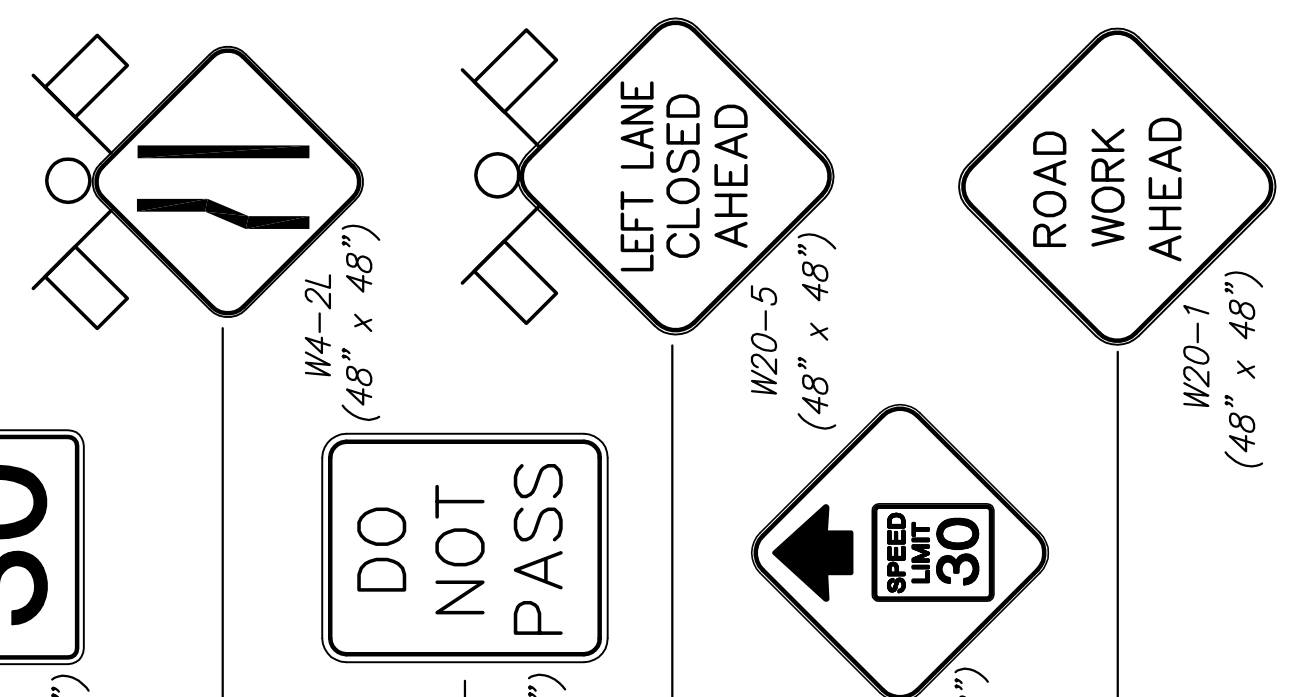
STATE	PROJECT NO.	YEAR	SHEET NO.	TOTAL SHEETS
KANSAS	87 N-0362-01	2007	26	48



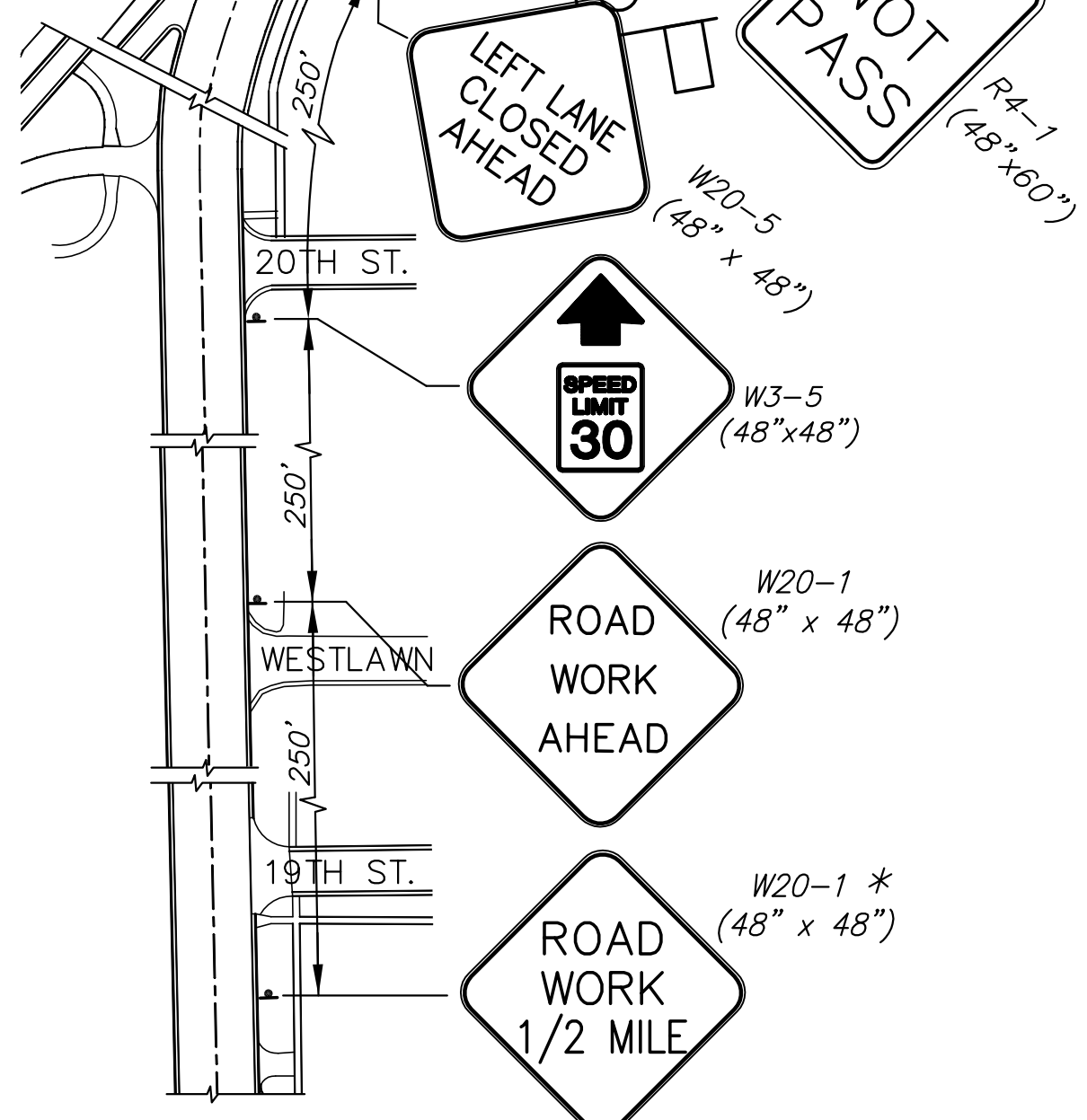
PLAN IA



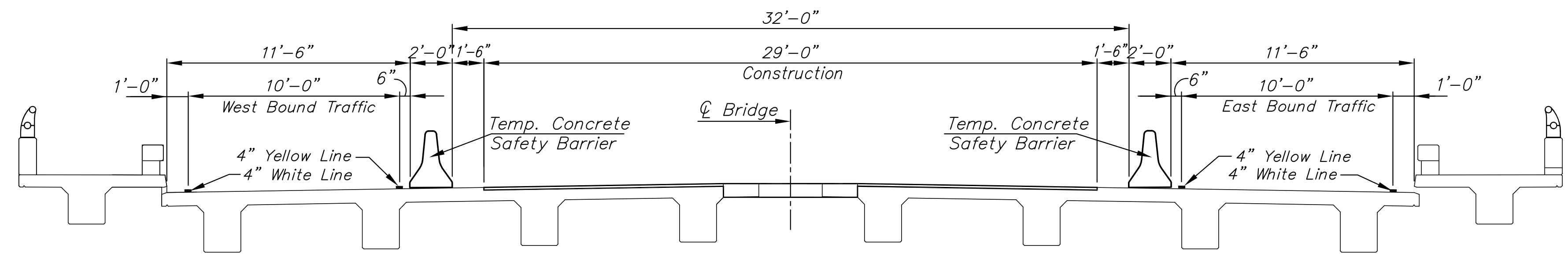
PLAN IB



PHASE I PLAN



*Place sign 1/2 mile from work zone



PHASE IA & IB SECTION

LEGEND

- Channelizing Device
- ▬ Concrete Safety Barrier
- ▲ Traffic Control Sign
- ▨ Work Zone
- ← Traffic Directional Arrow

J:\Civil\04223\dwg\TRAFF\04223TC1.dwg 09/18/2007 10:19:10 AM CST

KANSAS DEPARTMENT OF TRANSPORTATION
TRAFFIC CONTROL PLAN
 PHASE 1A & IB
 PROJ. NO. 87 N-0362-01 SEDGWICK CO.
 MKEC ENGINEERING CONSULTANTS, INC.
 WICHITA, KANSAS

DESIGNED BY: JRA	CHECKED BY: KJS
DRAWN BY: JB/DPG	DATE: 4/23/07

SHEET 26 OF 48