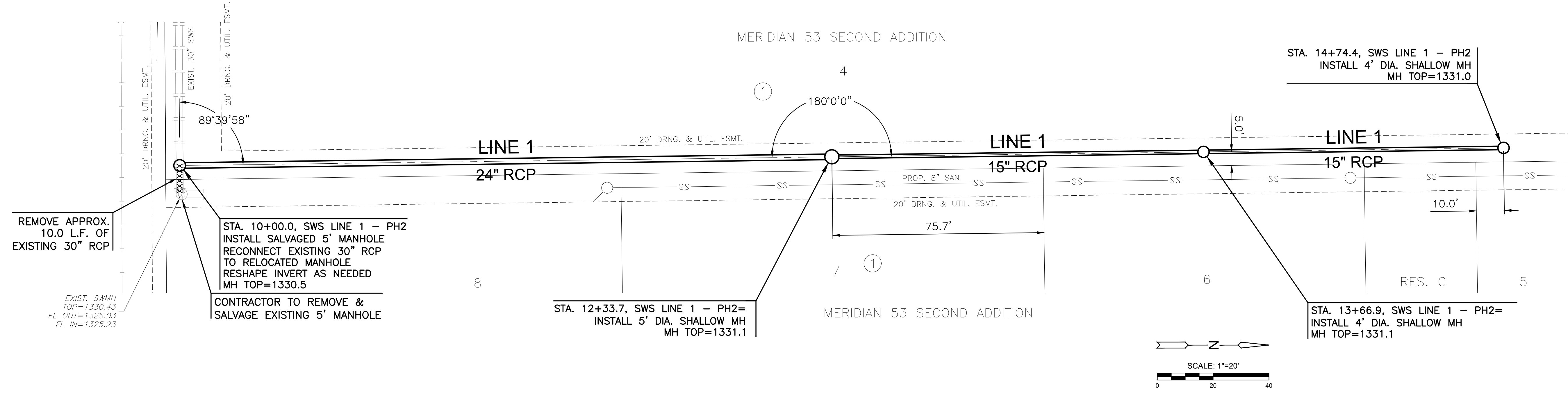


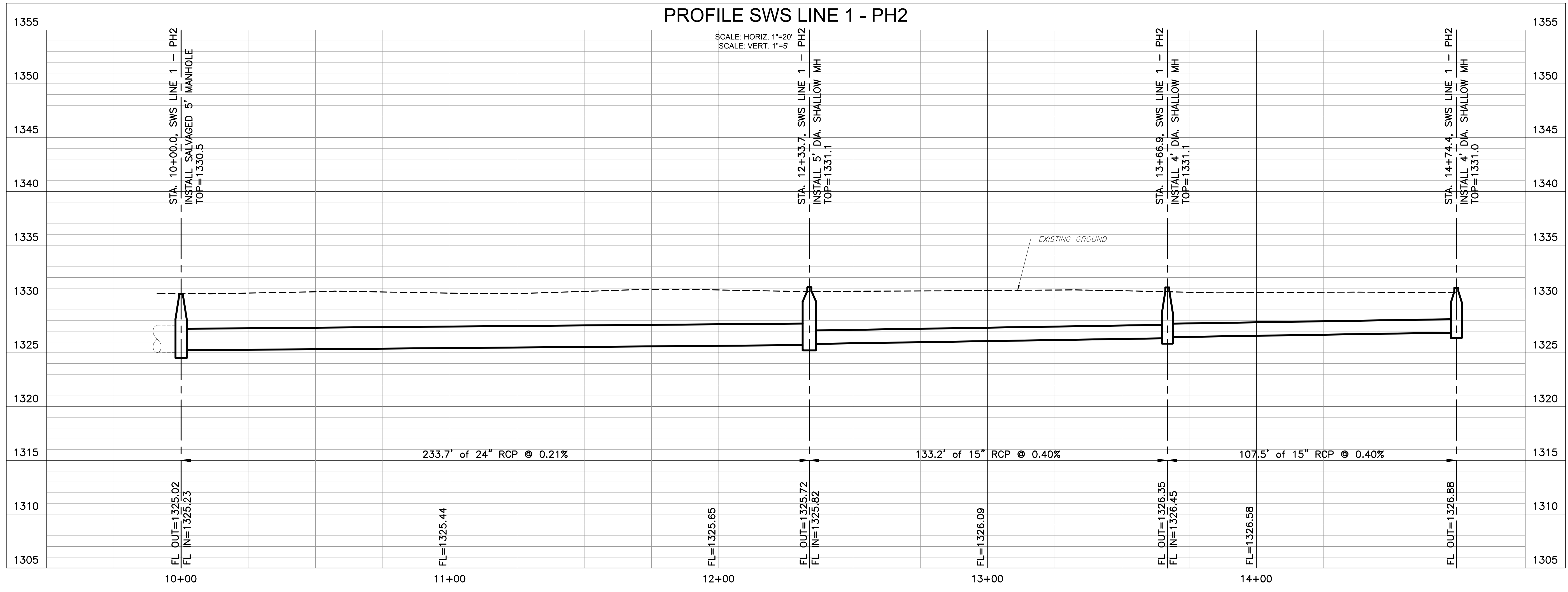
PLOTTED Wednesday, April 22, 2025 @ 10:11PM

J:\PROJECTS\2024\240110232_MERIDIAN 53 SECOND\00_240232_CAD\SH1505_CIVIL\SWR\PH2\240232_C-101-D02.DWG



NOTE:
CONTRACTOR TO VERIFY THE DEPTH AND LOCATION OF EXISTING UTILITIES PRIOR TO CONSTRUCTION.

PLAN SWS LINE 1 - PH2
PROFILE SWS LINE 1 - PH2



STORM WATER SEWER PLANS
MERIDIAN 53 SECOND ADDITION
PHASE 2

SWS LINE 1		
PROJECT NO.	458-2024-085568	
SCALE	VERT: 1"=5' HORZ: 1"=20'	
DRAWN	DESIGNED	CHECKED
RMH	DFL	SPE
NO.	REVISION	DATE
0	ISSUED FOR CONSTRUCTION	04/22/26
SHEET NO. C-101-D02		
02 OF 12		

©2024 MKEC ENGINEERING, INC. ALL RIGHTS RESERVED. WWW.MKEC.COM. THESE DRAWINGS AND THEIR CONTENTS, INCLUDING, BUT NOT LIMITED TO, ALL CONCEPTS, DESIGNS, & DETAILS ARE THE EXCLUSIVE PROPERTY OF MKEC ENGINEERING, INC. (MKEC), AND MAY NOT BE USED OR REPRODUCED IN ANY WAY WITHOUT THE EXPRESS CONSENT OF MKEC.