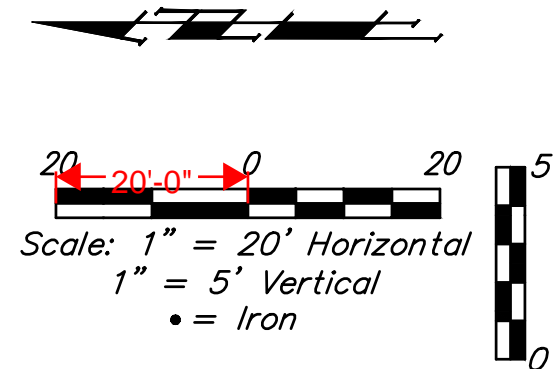
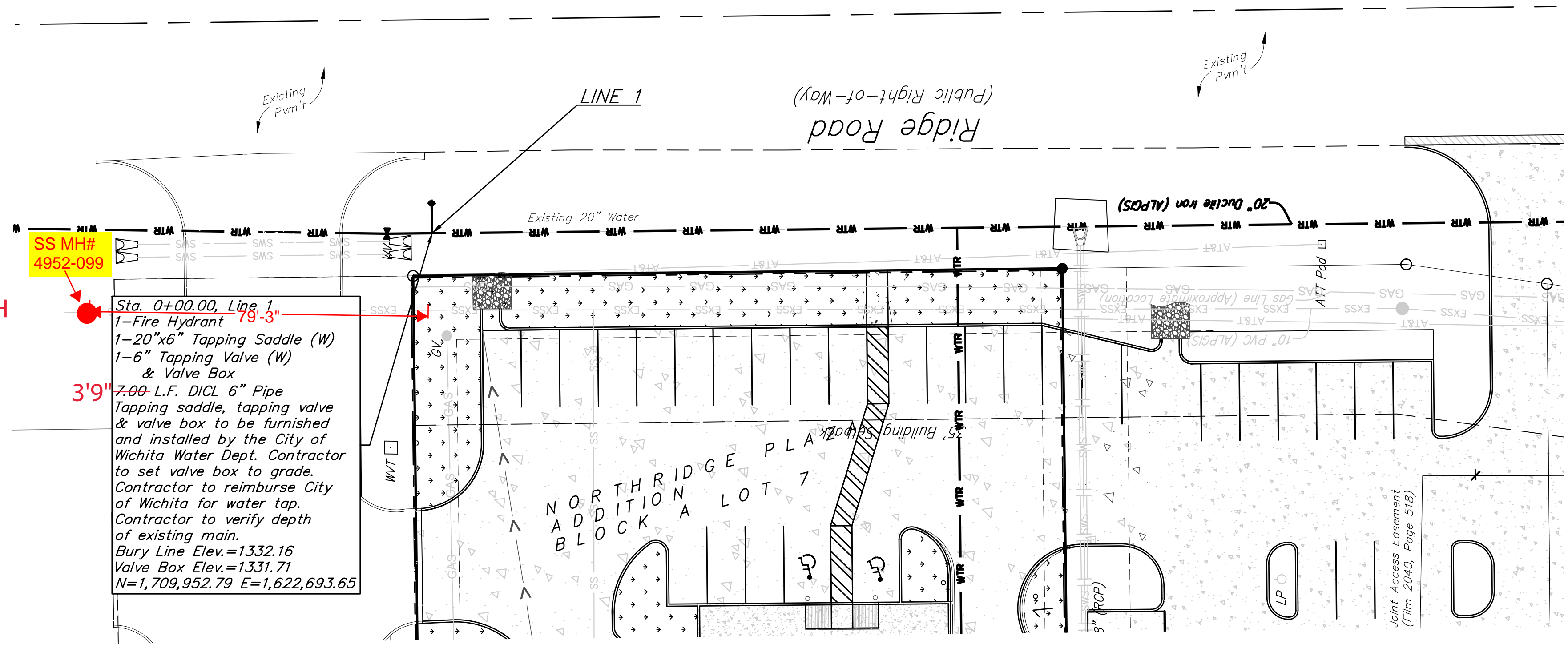


AS BUILTS



BENCHMARKS:
 BM #1: "X" chiseled on top of curb on east side of island. Elevation = 1335.65 (NAVD 88)
 BM #2: "X" chiseled on top of curb. Elevation = 1331.28 (NAVD 88)



Pipe layout is shown with horizontal and vertical deflections. Contractor to use short pipe lengths, high deflection couplers, and manufacturer recommended pipe deflections to meet planned alignment.

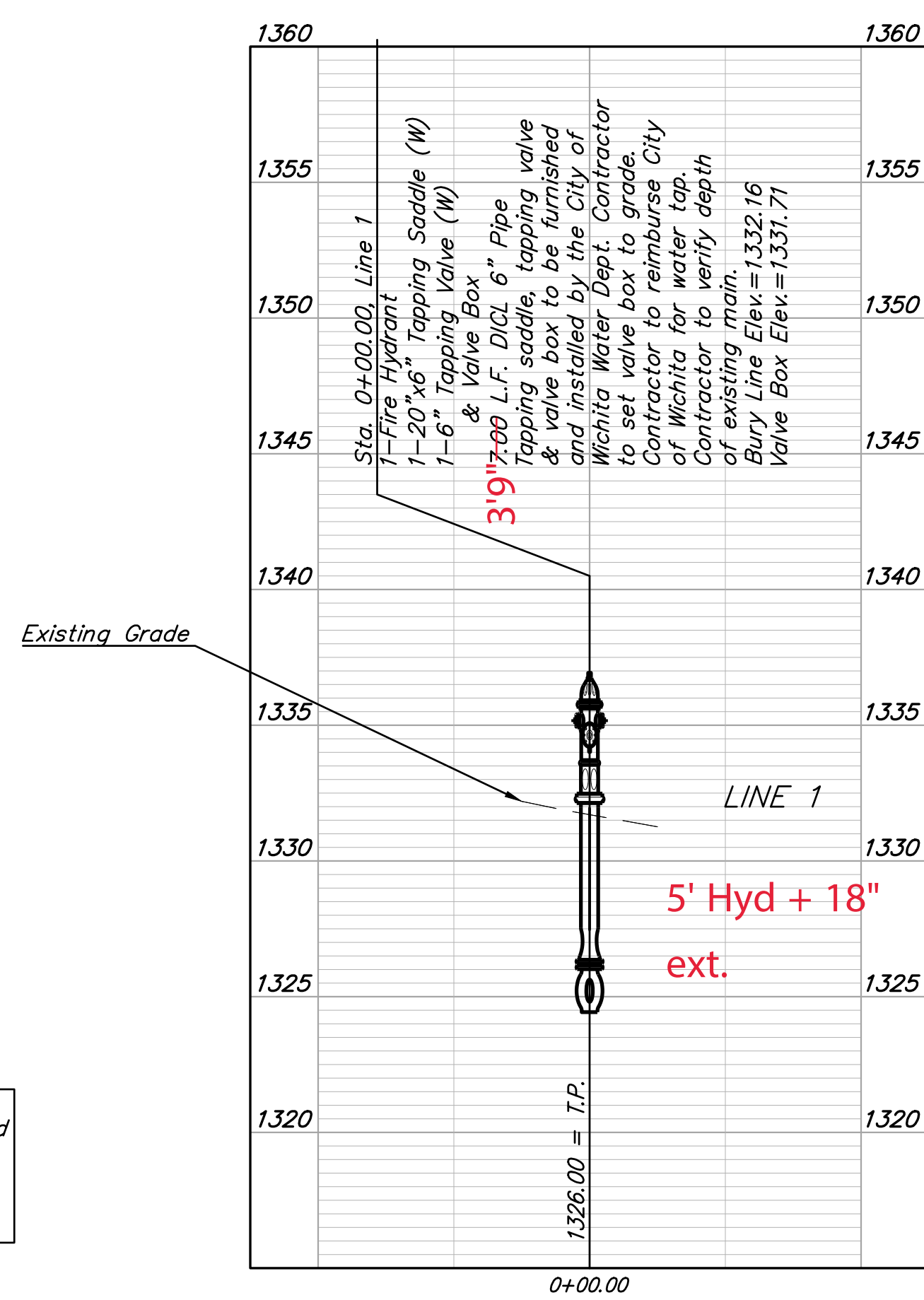
Contractor to maintain a minimum of 2' of vertical separation (O.D.-O.D.) between sanitary sewer and water line.

Contractor to verify depth and location of existing utilities. Contractor to relocate any existing utilities as necessary for construction.

Contact utility companies 3 weeks prior to construction to coordinate temporary removal/replacement.
 Heide Bryan, Evergy, (316) 261-6354
 Shannon Brinkmeyer, AT&T (316) 268-2931
 Travis Taylor, Cox Comm., Travis.taylor@cox.com

- Material List
- American Darling (storz) 5' with 18" ext. FH
- U.S. Pipe DICL 3' 9
- Star fittings
- Pro-trace wire and test station & anode
- Pea gravel
- Plastic wrap

- Used SS Manhole 4952-099 for measurement
- From SS Manhole 79.4' South and 20' East to tap
- From SS Manhole 79.4' South and 21.8' East to valve
- From SS Manhole 79.4' South and 26.3' East to Fire hydrant



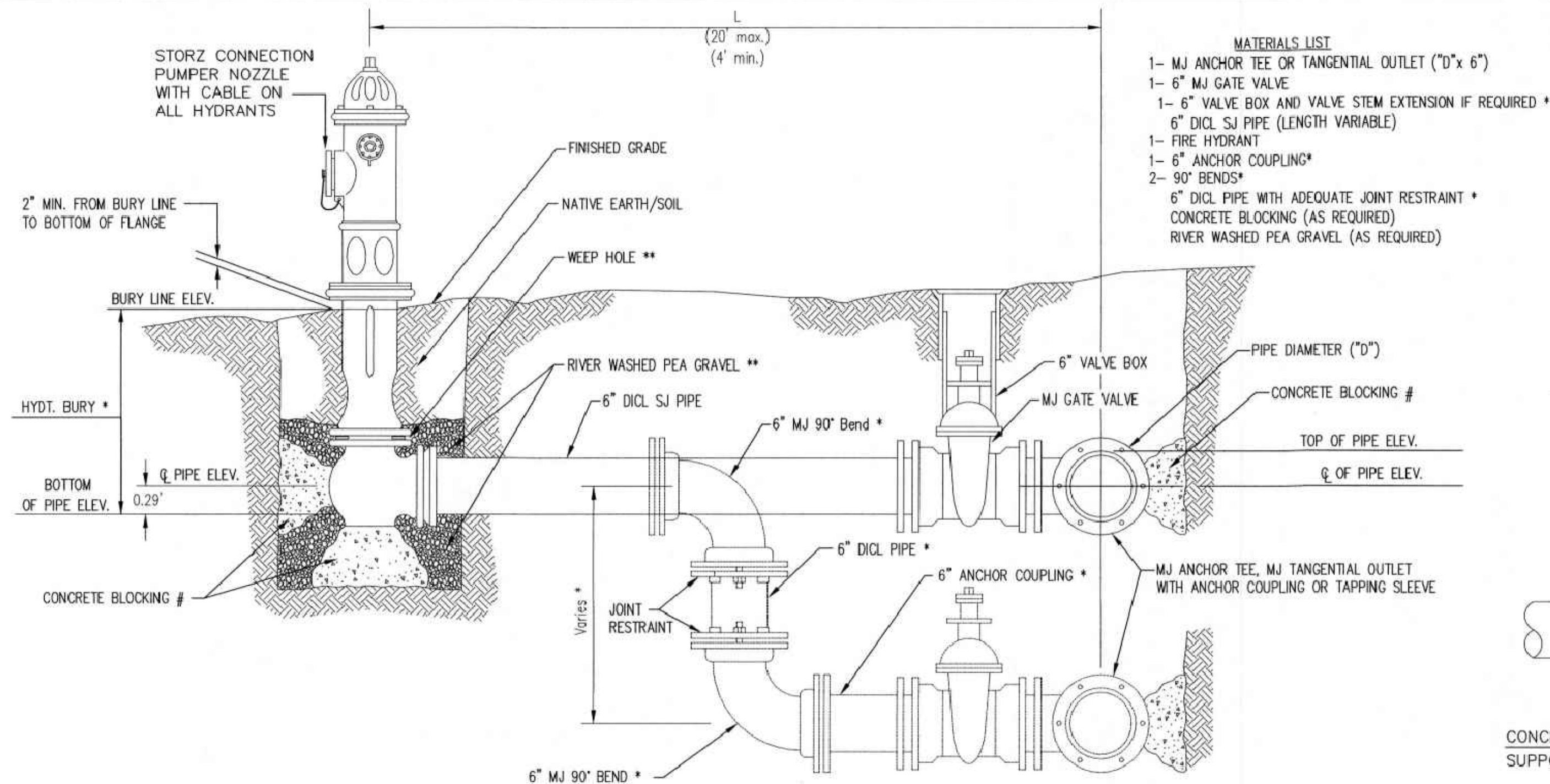
DEPTH UNKNOWN
 Contractor to verify depth and location of existing utilities.
 Contractor to relocate any existing utilities as necessary for construction.



BAUGHMAN COMPANY
 315 Ellis St.
 Wichita, KS 67211
 316-262-7271
 BaughmanCo.com

NORTHBRIDGE PLAZA ADDITION
MOKAS
LINE 1
 WATER DISTRIBUTION SYSTEM
 PROJECT NUMBER: 25-02-E048
 DESIGN: RDV DRAWN: RDV
 DATE: September 11, 2024
 SHEET **2** OF **11**

File: E:\Projects\Northridge Lot 7 - Mokas\Engineering\PPWPPW.dwg



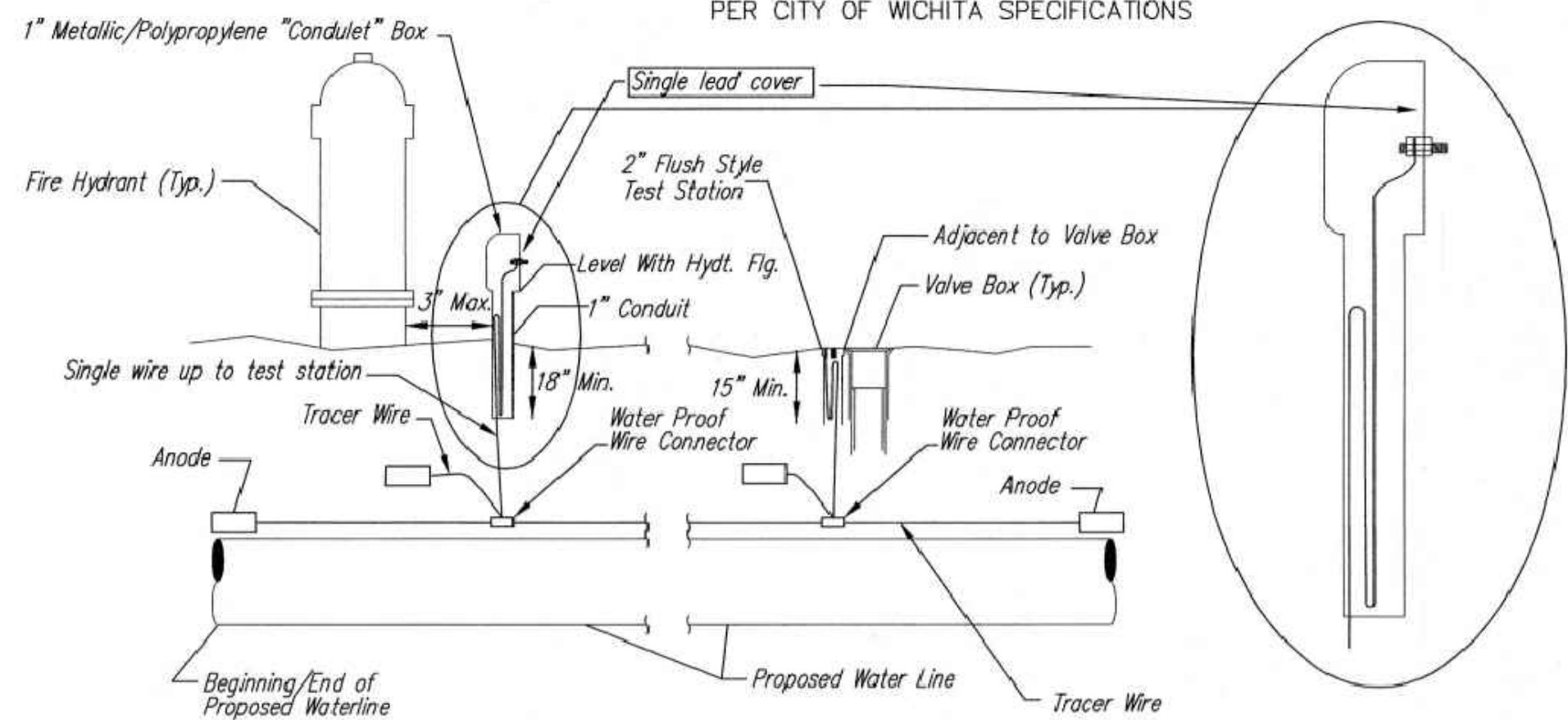
- MATERIALS LIST**
- 1- MJ ANCHOR TEE OR TANGENTIAL OUTLET ("D" x 6")
 - 1- 6" MJ GATE VALVE
 - 1- 6" VALVE BOX AND VALVE STEM EXTENSION IF REQUIRED *
 - 6" DI CL SJ PIPE (LENGTH VARIABLE)
 - 1- FIRE HYDRANT
 - 1- 6" ANCHOR COUPLING*
 - 2- 90° BENDS*
 - 6" DI CL PIPE WITH ADEQUATE JOINT RESTRAINT *
 - CONCRETE BLOCKING (AS REQUIRED)
 - RIVER WASHED PEA GRAVEL (AS REQUIRED)

* IF THE REQUIRED HYDRANT BURY IS IN EXCESS OF 5', BUT LESS THAN 7', CONTRACTOR SHALL USE STANDARD 5' HYDRANT BURY AND HYDRANT BARREL EXTENSIONS AS NECESSARY. IF THE REQUIRED HYDRANT BURY IS GREATER THAN 7', CONTRACTOR SHALL USE 5' HYDRANT BURY, 2-MJ 90° BENDS, 6" ANCHOR COUPLING AND 6" DI CL PIPE AS NECESSARY FOR VERTICAL ADJUSTMENT. THE CONTRACTOR SHALL PROVIDE ADEQUATE THRUST BLOCKING AT HYDRANT AND MEGALUGS, OR SIMILAR RESTRAINT BETWEEN 90° BENDS TO SECURE ALL FITTINGS DURING TESTING AND OPERATION. THE CONTRACTOR SHALL PROVIDE A VALVE STEM EXTENSION PER DETAIL THIS SHEET.

** CAUTION: WEEP HOLES TO BE KEPT CLEAR DURING CONSTRUCTION AND BACKFILL. CONCRETE FOR THRUST BLOCKING SHALL NOT OBSTRUCT WEEP HOLES. PLACE 1 CUBIC FOOT OF RIVER WASHED PEA GRAVEL AROUND EACH WEEP HOLE.

CONCRETE THRUST BLOCKING SHALL BE KEPT CLEAR OF BOLTS, NUTS, AND MJ ACCESSORIES.

FIRE HYDRANT ASSEMBLY
PER CITY OF WICHITA SPECIFICATIONS



TRACER WIRE

Conductive type pipe locator/tracer wire shall be install to locate all waterline pipe regardless of pipe material. The wire shall extend the entire length of the proposed pipe. The wire shall be taped to the waterline and pulled with the pipe. A waterproof connector shall be used at splice locations. A complete list of approved tracer wire and waterproof connectors can be found on the City of Wichita's website at www.wichita.gov.

WIRES
The tracer wire shall be Blue No. 12 AWG CCS with 45 mil HDPE insulation. To allow for grade adjustment, a minimum of 12" of excess wire shall be coiled at the bottom of the test station for all wires. Wire connectors shall be installed per manufacturer recommendations. Contractor shall attach wire being installed with proposed water main to any tracer wire installed with adjacent waterline projects.

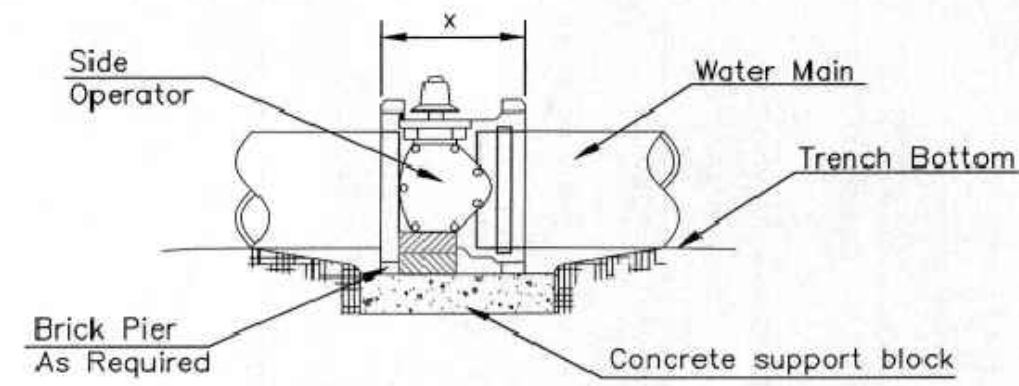
TEST STATIONS
The test station for fire hydrant application shall be a 1" "conduit" style station as manufactured by AGRA Industries with a removable solid cover having a single lead extending from the face or approved equal. The "conduit" style test station shall be attached to a 1" rigid galvanized conduit with a minimum length of 36" and plastic end bushing. The flush style shall have the word "WATER" stamped or molded into the lid. The test station for valve applications shall be a 2" flush style test station with wire connector on lid. Model # T2PH7B1LP Handley Industries or CD14*TP SnakePit as manufactured by Copperhead Industries or approved equal. The flush style shall have the word "WATER" stamped or molded into the lid. All test stations shall be manufactured using molded blue tops or sufficiently coated with blue enamel paint. The tracer wire and the anode wire shall be install to allow 12" of wire within the test station. The location of all test stations shall be recorded, and shown in the as-built drawings. Flush style test stations shall not be installed in pavement or sidewalk unless approved by the Engineer. Contractor shall extend tracer wire & move flush mount test station to nearest location out of pavement or sidewalk.

ANODES
The anodes shall be 3 lb. bare zinc or magnesium. The anodes shall be buried at the same elevation as the waterline at each test station. The anodes shall be connected to 12 AWG CCS which shall be extended to the test station.

TRACER WIRE DETAIL

COST IS SUBSIDIARY TO PIPE INSTALLATION

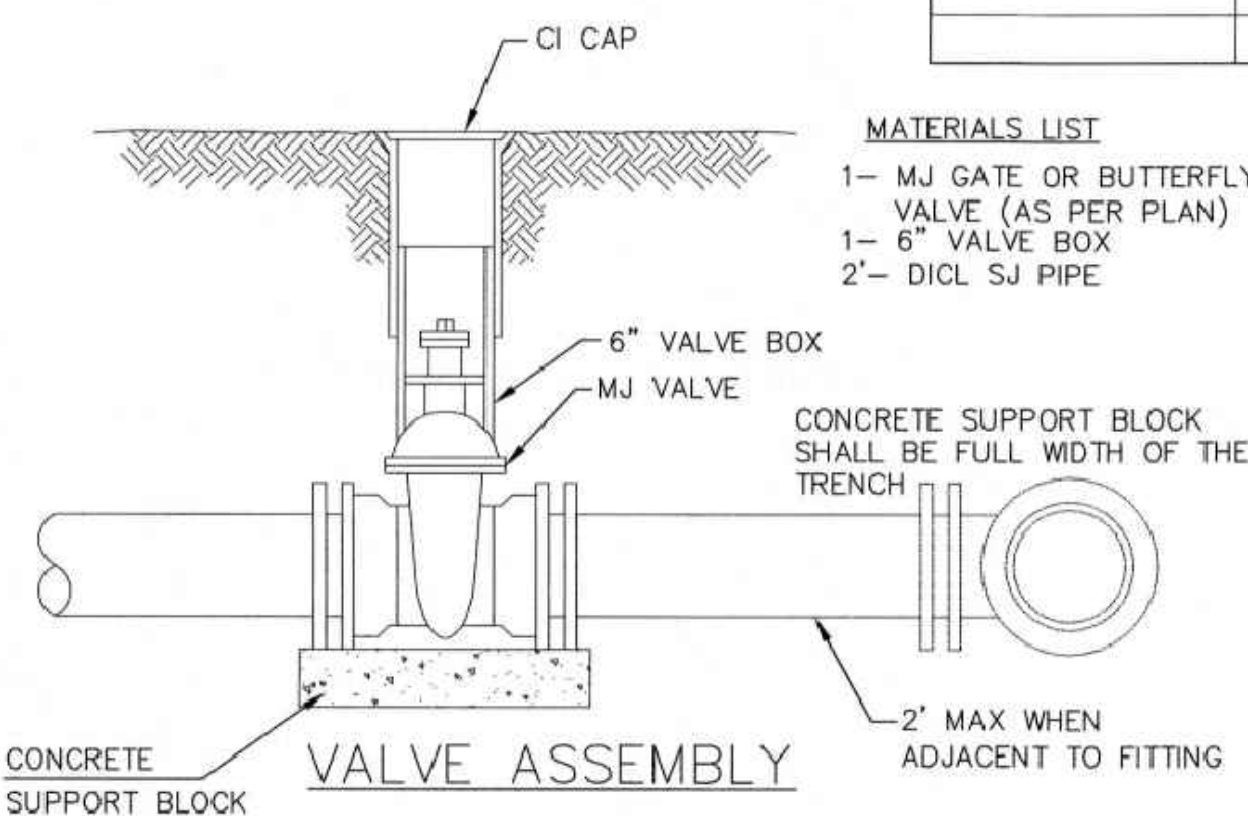
FIRE HYDRANTS REQUIRED				
STATION	BURY LINE ELEVATION	TOP OF PIPE ELEVATION	FIRE HYDRANT BURY REQUIRED*	VALVE STEM EXT. REQUIRED (ft)*
0 + 00.0, Line 1	1332.66	1326.00	7.5- 6.5	



NOTES

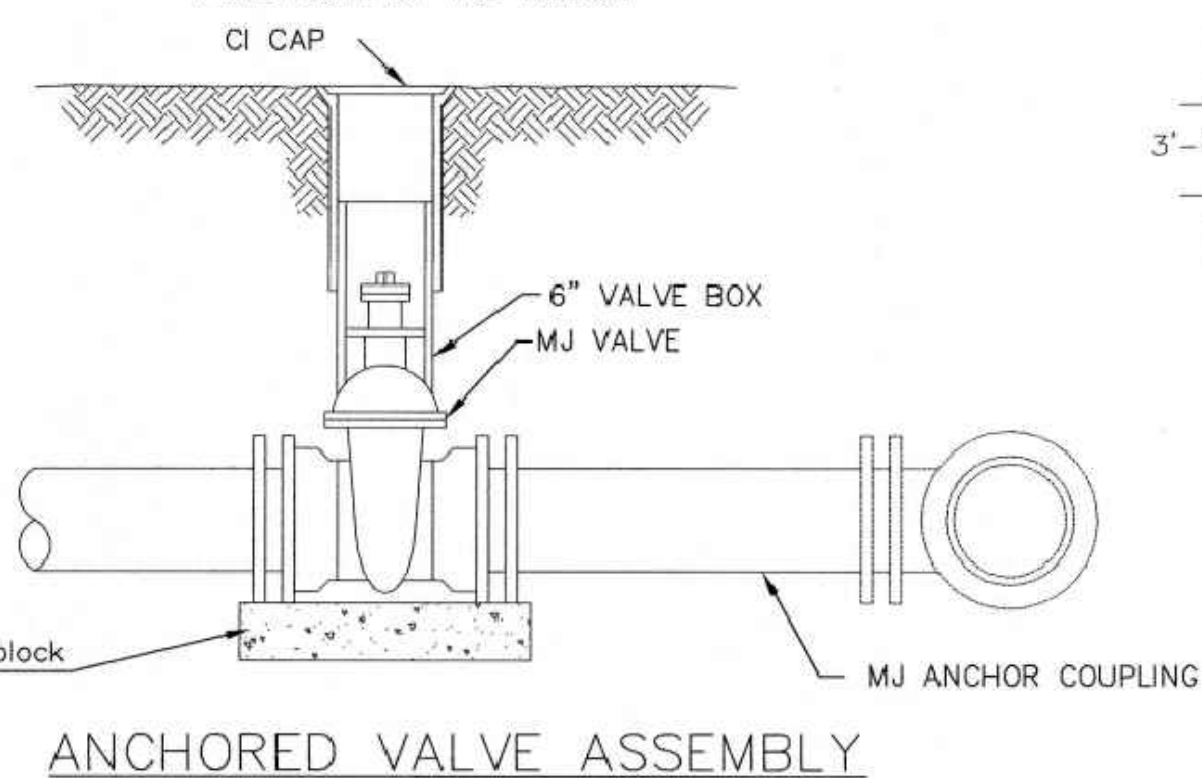
- This detail covers Butterfly Valve installation, inclusive, regardless of type of pipe or joint used. 24" and larger lines to be detailed on plans.
- 6" Valve Box and Cover required per City of Wichita Std. Specifications.
- Conc. Support Block to be full width of trench.

CONCRETE SUPPORT BLOCKING FOR BUTTERFLY VALVE INSTALLATION



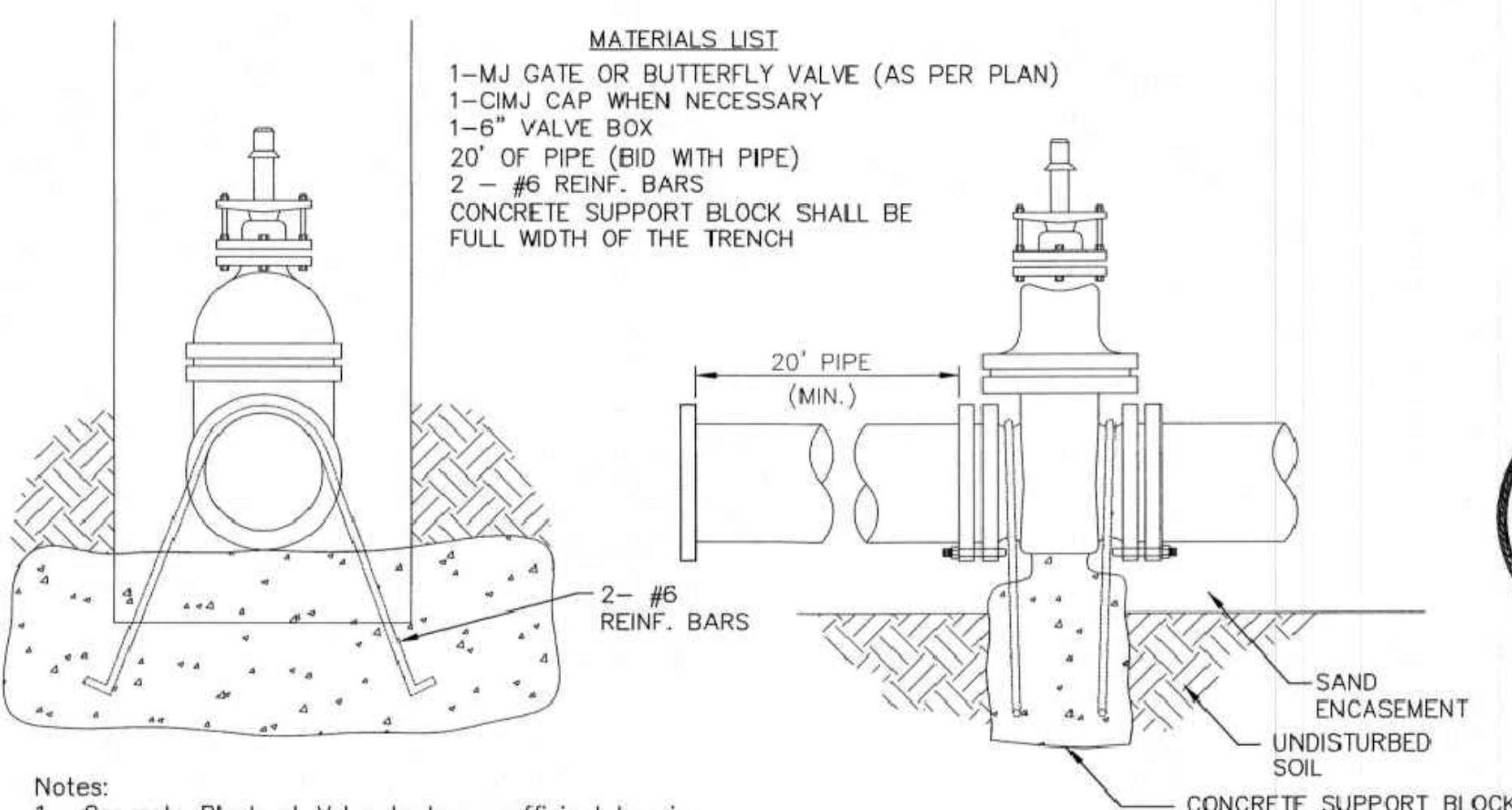
- MATERIALS LIST**
- 1- MJ GATE OR BUTTERFLY VALVE (AS PER PLAN)
 - 1- 6" VALVE BOX
 - 2'- DI CL SJ PIPE

- MATERIALS LIST**
- 1-MJ GATE OR BUTTERFLY VALVE (AS PER PLAN)
 - 1-MJ ANCHOR COUPLING (12" OR SMALLER)
 - 1-6" VALVE BOX
 - CONCRETE SUPPORT BLOCK SHALL BE FULL WIDTH OF THE TRENCH



ANCHORED VALVE ASSEMBLY

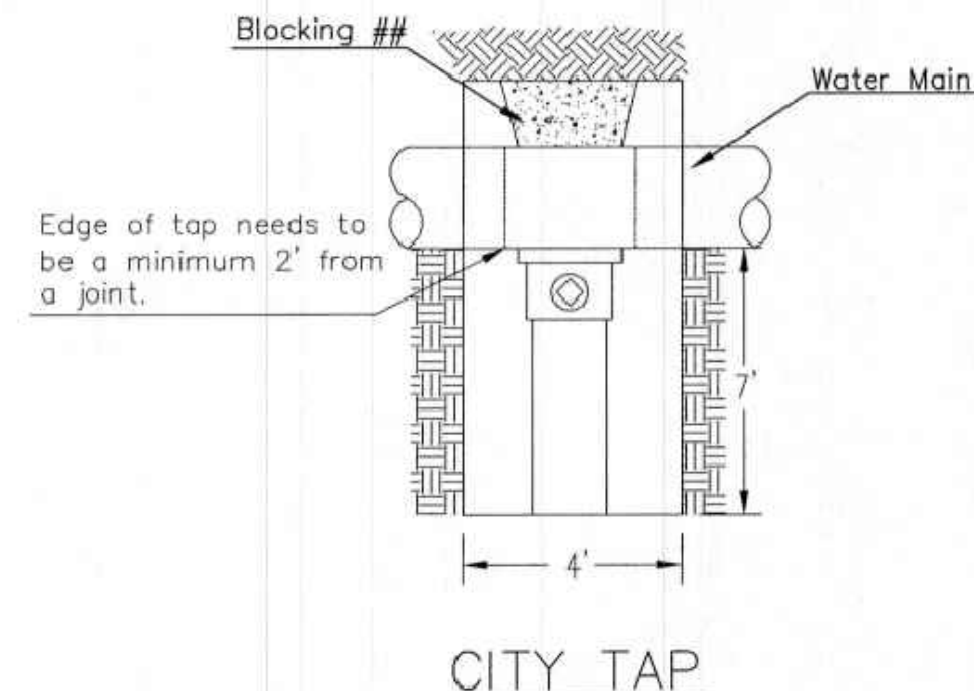
- MATERIALS LIST**
- 1-MJ GATE OR BUTTERFLY VALVE (AS PER PLAN)
 - 1-CIMJ CAP WHEN NECESSARY
 - 1-6" VALVE BOX
 - 20' OF PIPE (BID WITH PIPE)
 - 2 - #6 REINF. BARS
 - CONCRETE SUPPORT BLOCK SHALL BE FULL WIDTH OF THE TRENCH



- Notes:**
- Concrete Block at Valve to have sufficient bearing in undisturbed soil to prevent thrust movement as shown in table at right. Field Engineer to determine thrust loading of undisturbed soil and final size of thrust block.
 - The thrust block shall be constructed such that bolts, nuts, and other MJ accessories are kept clear of concrete.
 - All valves at dead ends and at other locations as called out on the plans shall be blocked as shown here.

THRUST AT VALVES	
VALVE	THRUST AT 150 #/sq ft
4"	1809 lbs.
6"	4245 lbs.
8"	7540 lbs.
12"	16965 lbs.

ANCHORED VALVE ASSEMBLY, SPECIAL

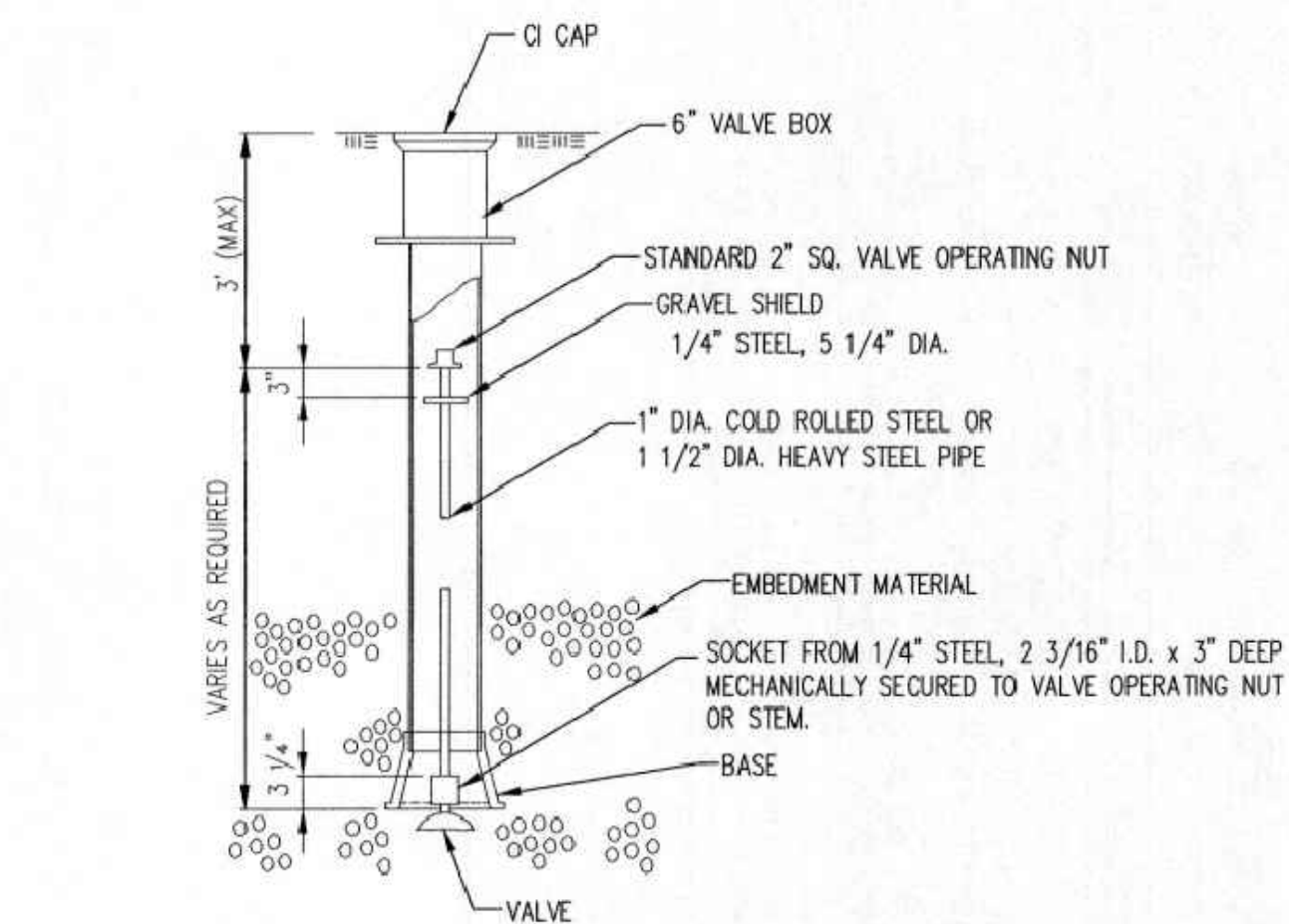


Edge of top needs to be a minimum 2' from a joint.

When the City of Wichita makes tap, blocking is to be done by Contractor

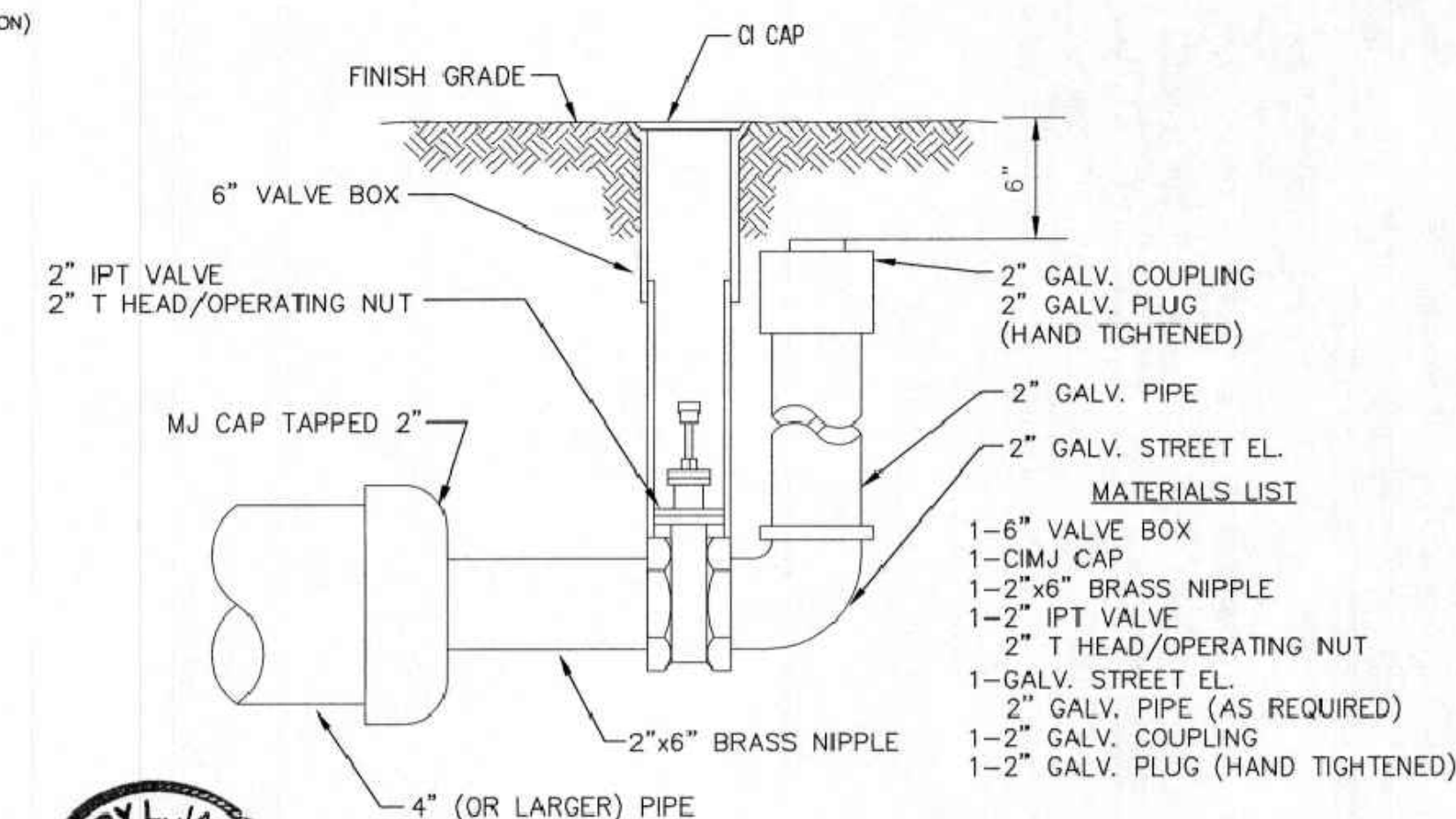
PROTECTIVE FILL DETAIL

MINIMUM PROTECTIVE FILL SHALL BE PROVIDED IN ALL INSTANCES WHERE COVER OVER THE PROP. WATER LINE IS LESS THAN 3'. (COST SUBSIDIARY TO PIPE INSTALLATION)



VALVE STEM EXTENSION DETAIL

NOTE: ONE VALVE STEM EXTENSION FOR EACH VALVE BURIED GREATER THAN 5'.



2" BLOWOFF ASSEMBLY



STANDARD WATER ASSEMBLY DETAIL

CITY ENGINEER
GARY JANZEN, P.E.

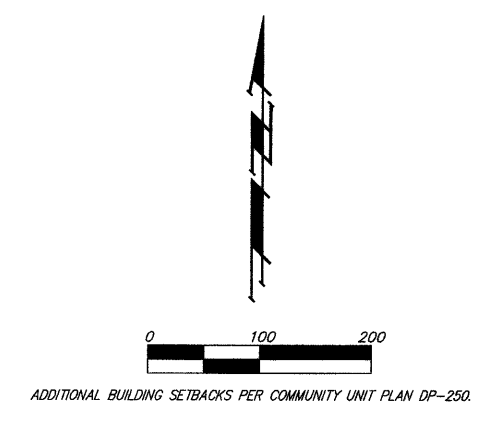
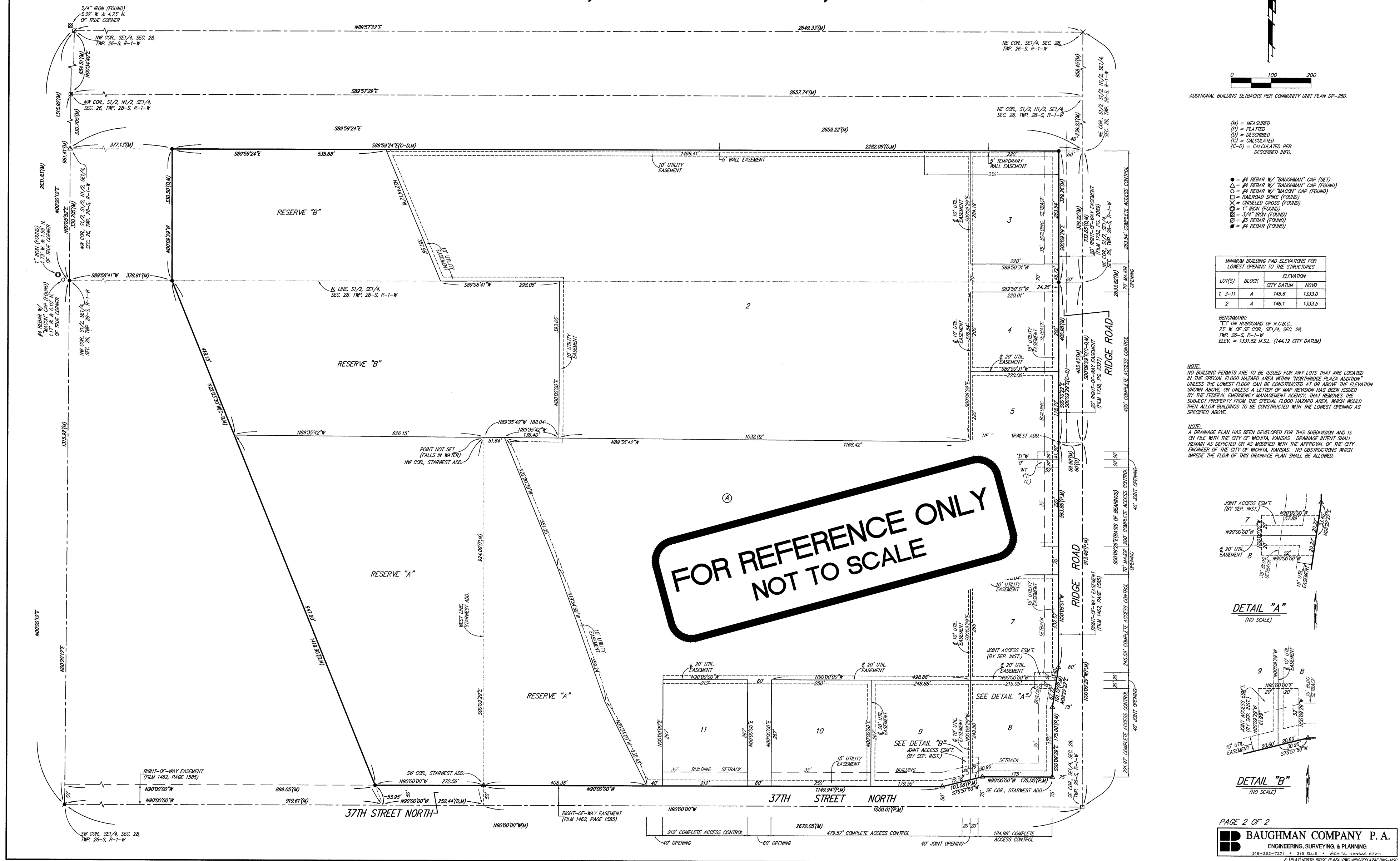
PROJECT NUMBER: OCA NUMBER: DATE:

CITY ENGINEER'S OFFICE
CITY HALL - SEVENTH FLOOR
455 NORTH MAIN STREET
WICHITA, KANSAS 67202-1620
(316) 268-4501

SHEET
4 of 11

REVISED: OCTOBER 2016

NORTHRIDGE PLAZA ADDITION WICHITA, SEDGWICK COUNTY, KANSAS



ADDITIONAL BUILDING SETBACKS PER COMMUNITY UNIT PLAN DP-250

(N) = MEASURED
 (P) = PLATTED
 (D) = DESCRIBED
 (C) = CALCULATED
 (C-D) = CALCULATED PER DESCRIBED INFO

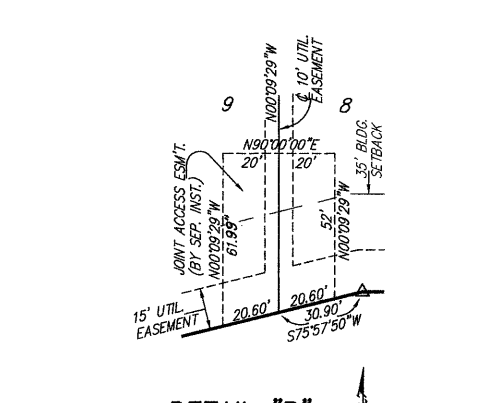
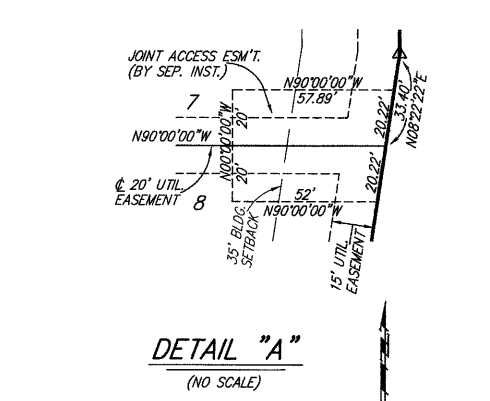
- = # REBAR W/ "BAUGHMAN" CAP (SET)
- ▲ = # REBAR W/ "BAUGHMAN" CAP (FOUND)
- = # REBAR W/ "MASON" CAP (FOUND)
- = REBAR SINK (FOUND)
- ⊗ = CORRODED CROSS (FOUND)
- ⊙ = 1" IRON (FOUND)
- ⊘ = 1/4" IRON (FOUND)
- ⊚ = # REBAR (FOUND)

LOT(S)	BLOCK	CITY DATUM	ELEVATION	NGVD
1, 3-11	A	146.4	1331.0	
2	A	146.1	1331.0	

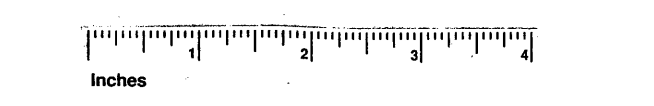
BENCHMARK:
 TTY ON NE CORNER OF P.C.B.C.
 237' W. OF SE COR. 35 1/2" SEC. 28,
 TWP. 26-S, R-1-W
 ELEV. = 1331.50 MALL (144.13 CITY DATUM)

NOTE:
 NO BUILDING PERMITS ARE TO BE ISSUED FOR ANY LOT THAT ARE LOCATED IN THE SPECIAL FLOOD HAZARD AREA WITHIN "NORTHRIDGE PLAZA ADDITION" UNLESS THE LOWEST FLOOR CAN BE CONSTRUCTED AT OR ABOVE THE ELEVATION SHOWN ABOVE, OR UNLESS A LETTER OF MAP REVISION HAS BEEN ISSUED BY THE FEDERAL EMERGENCY MANAGEMENT AGENCY THAT REMOVES THE SUBJECT PROPERTY FROM THE SPECIAL FLOOD HAZARD AREA. WORKSHEET SHALL ALLOW BUILDINGS TO BE CONSTRUCTED WITH THE LOWEST OPENING AS SHOWN ABOVE.

NOTE:
 A DRAINAGE PLAN HAS BEEN DEVELOPED FOR THIS SUBDIVISION AND IS ON FILE WITH THE CITY OF WICHITA, KANSAS. DRAINAGE PERMIT SHALL REMAIN AS SPECIFIED OR AS MODIFIED WITH THE APPROVAL OF THE CITY ENGINEER OF THE CITY OF WICHITA, KANSAS. NO OBSTRUCTIONS WHICH IMPEDS THE FLOW OF THIS DRAINAGE PLAN SHALL BE ALLOWED.

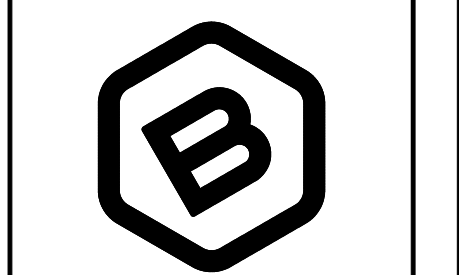
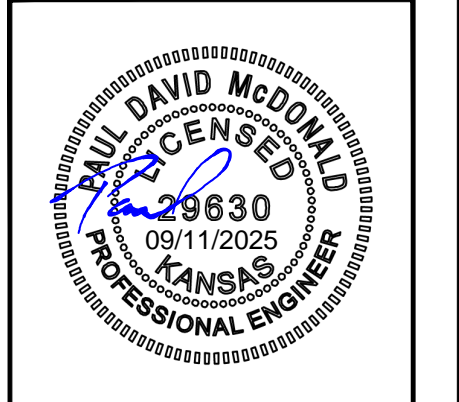


PAGE 2 OF 2
BAUGHMAN COMPANY P. A.
 ENGINEERING, SURVEYING, & PLANNING
 316-262-7271 • 316 ELLIS ST. • WICHITA, KANSAS 67201



This digital plat record accurately reproduces in all details the original plat filed with the Sedgwick County Register of Deeds. Digitized under the supervision of Register of Deeds Bill Meek by Sedgwick County Geographic Information Systems.

Bill Meek, Register of Deeds
 Digitized rendition of original signature



BAUGHMAN COMPANY

315 Ellis St.
 Wichita, KS 67211
 316-262-7271
 BaughmanCo.com

NORTHRIDGE PLAZA
 ADDITION: MOKAS

**COPY OF
 PLAT**

WATER DISTRIBUTION
 SYSTEM

PROJECT NUMBER:
 25-02-E048

DESIGN: RDV DRAWN: RDV
 DATE: July 23, 2025

SHEET
11 OF **11**