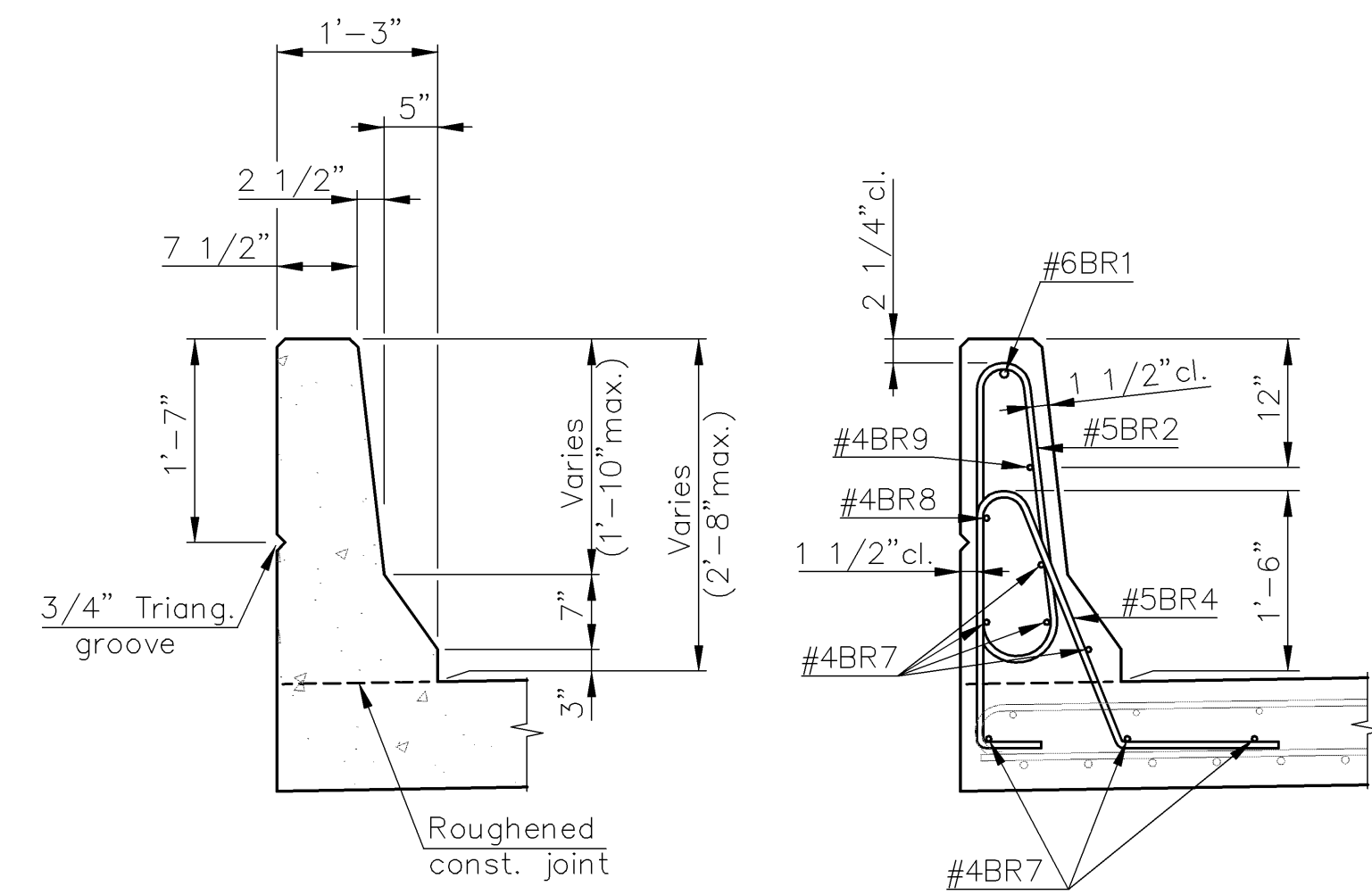
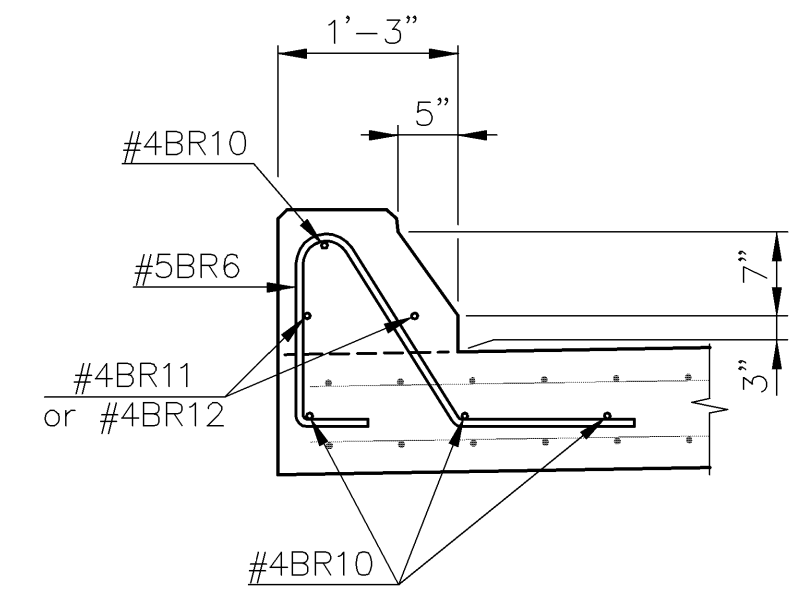


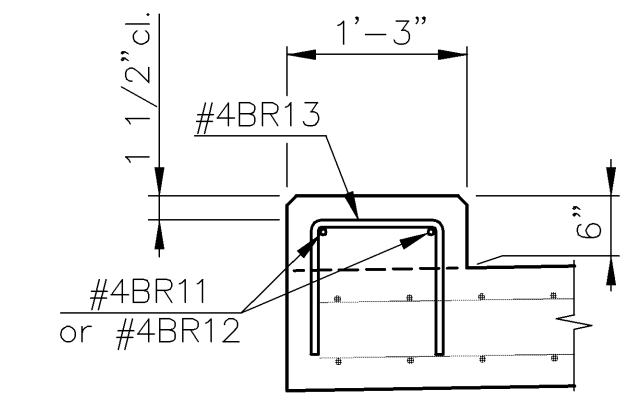
STATE	PROJECT NO.	YEAR	SHEET NO.	TOTAL SHEETS
KANSAS	87 N-0359-01	2006	6	61



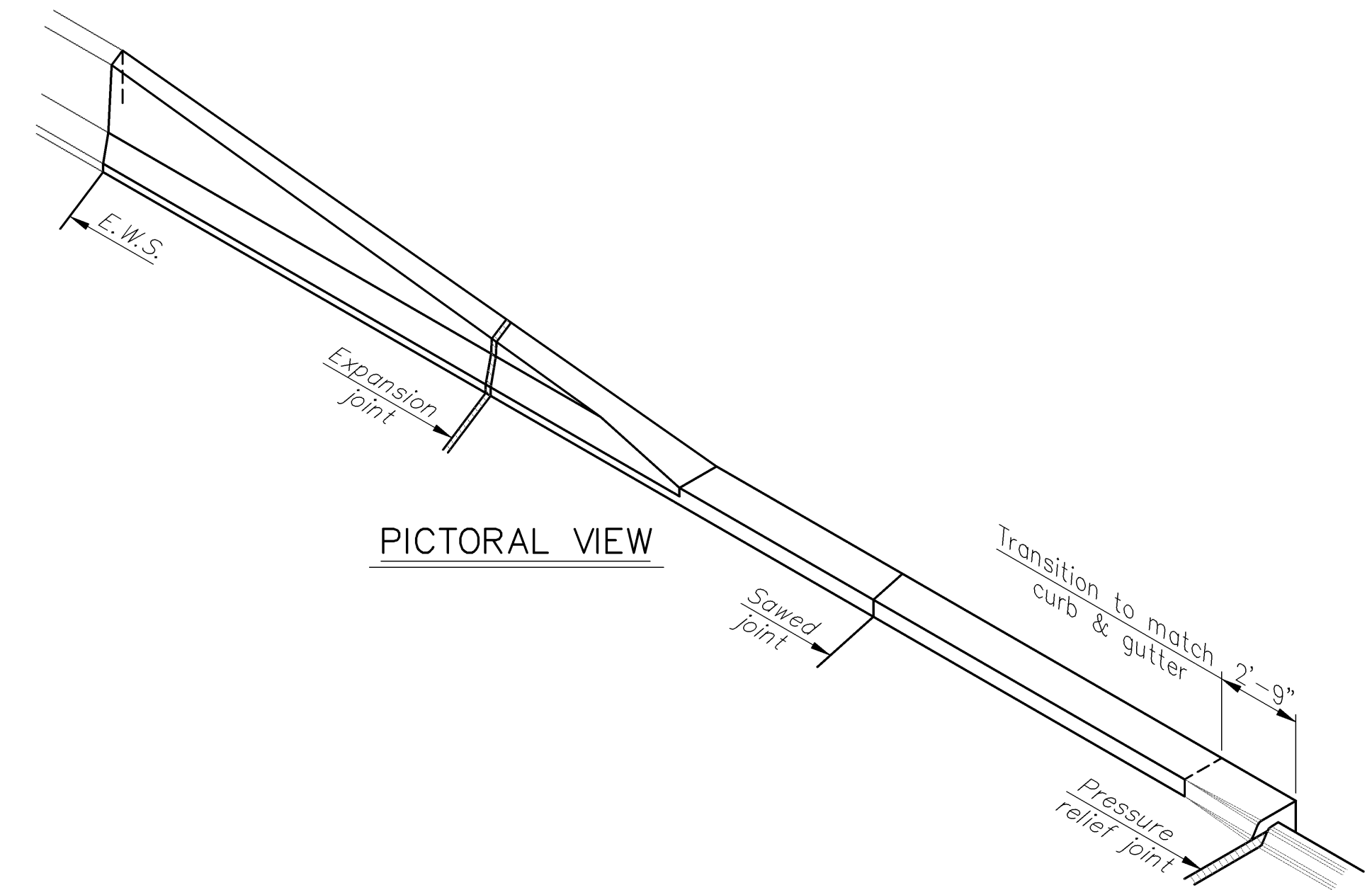
SECTION A-A



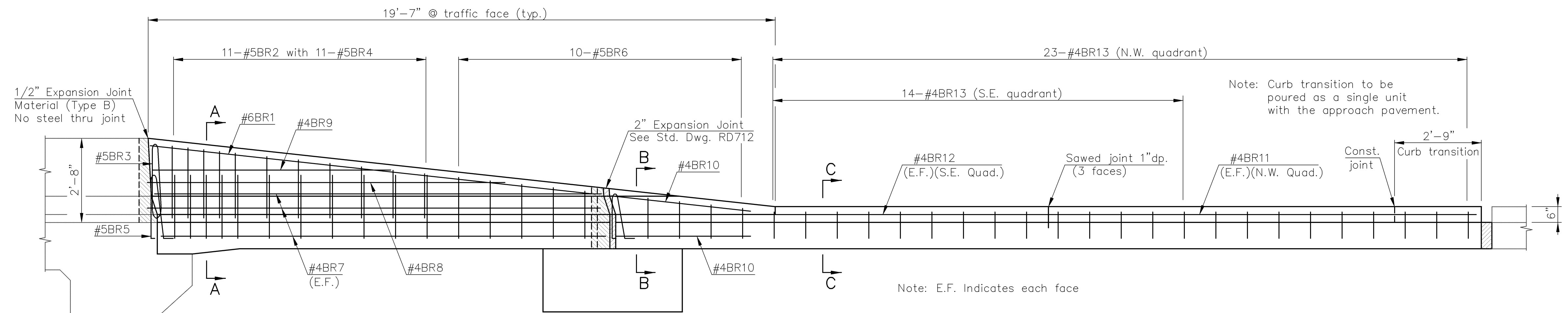
SECTION B-B



SECTION C-C

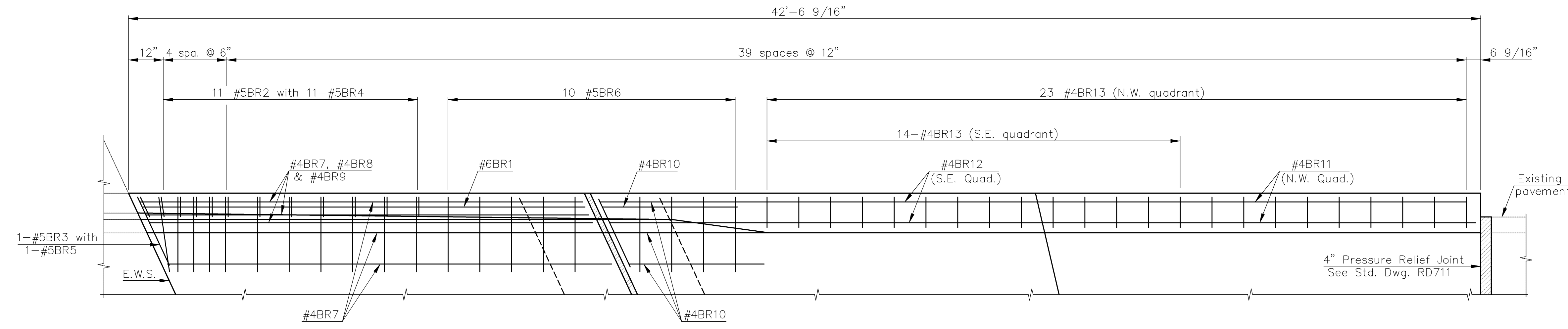


PICTORAL VIEW



ELEVATION

(At traffic face)



PLAN

J:\2004PROJ\04559\DWGS\APPR 1"=4'

PROJECT NO. 87 N-0359-01		CFS Cook, Flatt & Strobel ENGINEERS, P.A.
TRANSITION BARRIER DETAILS (N.W. & S.E. QUADRANTS)		
HILLSIDE ST. BRIDGE OVER GYPSUM CREEK		DESIGNED RSC SCALE
STA. 35+05.75		DETAILED DEG DATE
CITY OF WICHITA		QUANTITIES SHEET OF