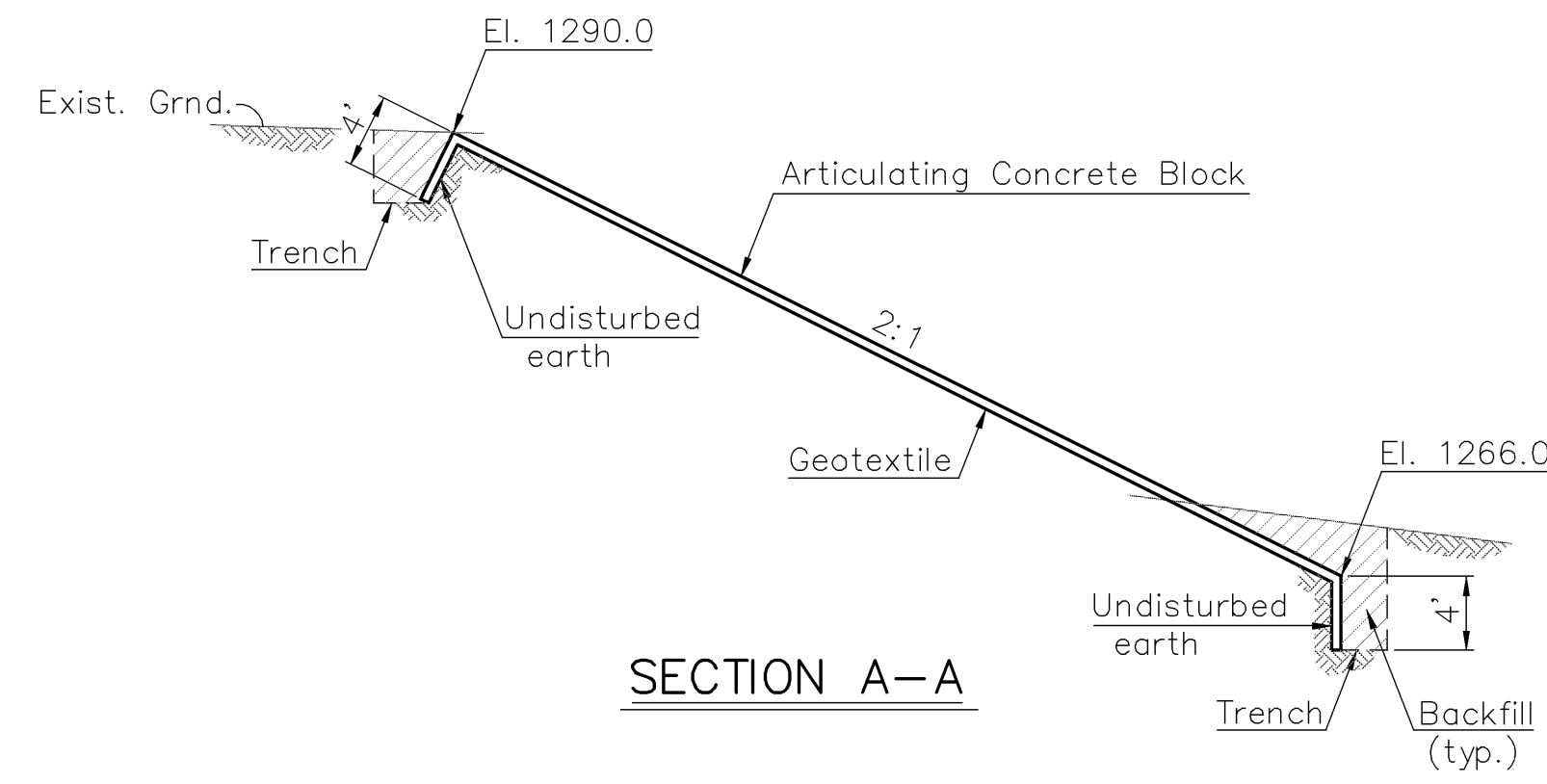
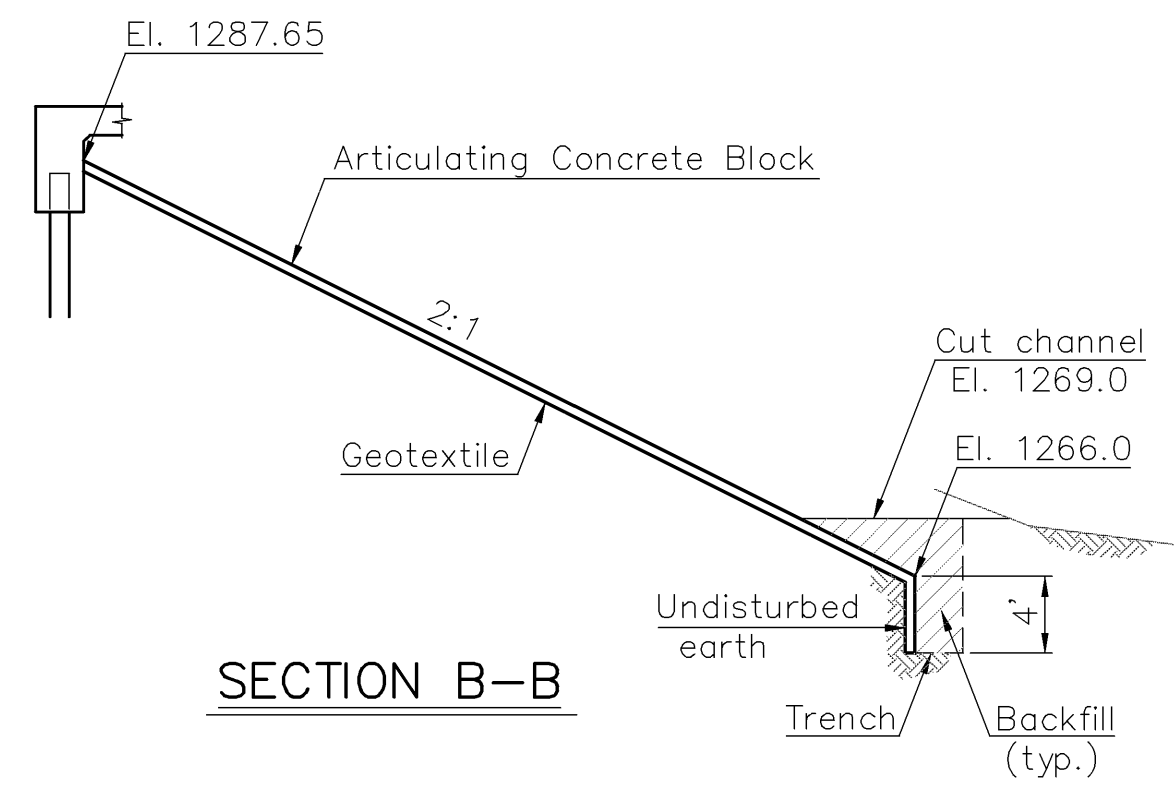


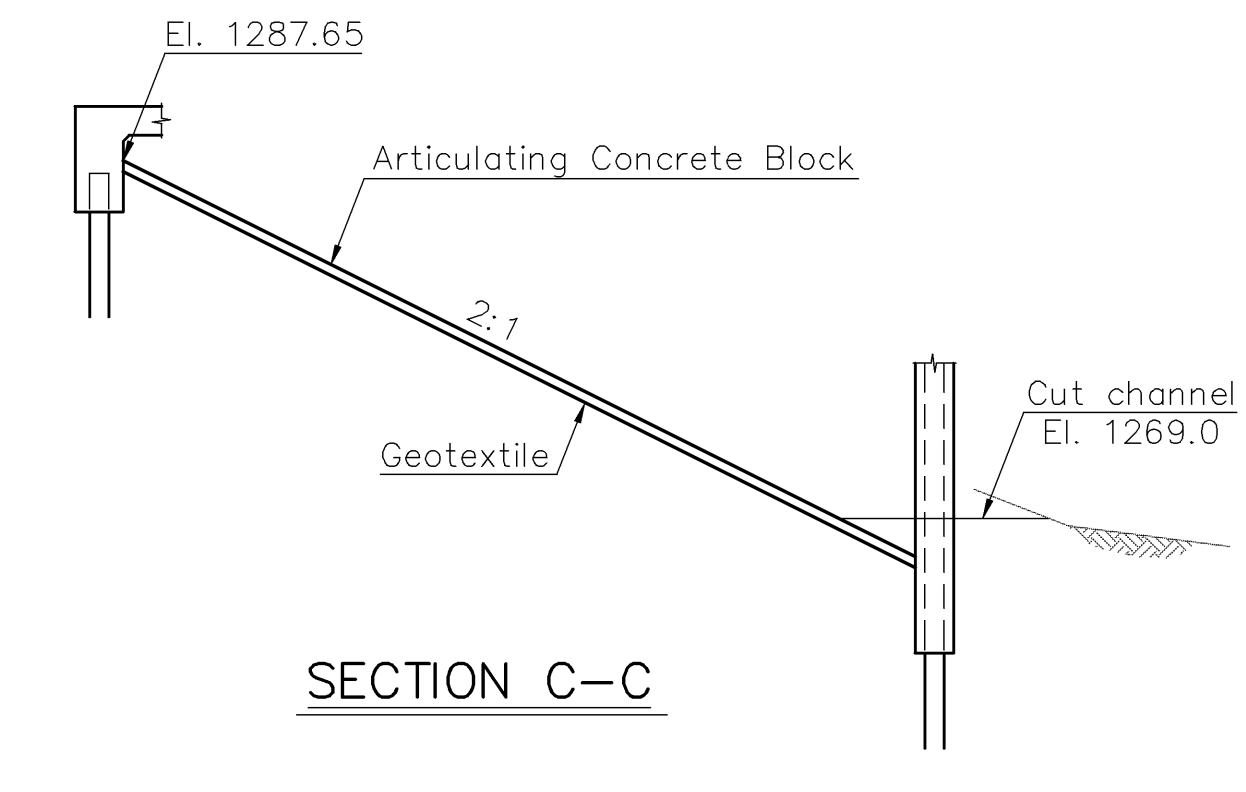
STATE	PROJECT NO.	YEAR	SHEET NO.	TOTAL SHEETS
KANSAS	87 N-0359-01	2006	18	61



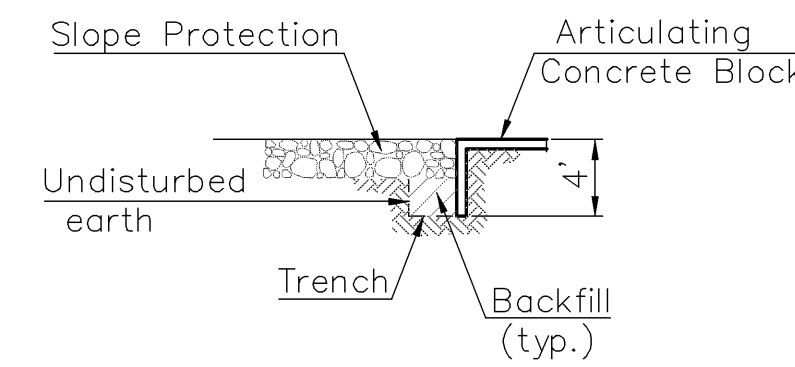
SECTION A-A



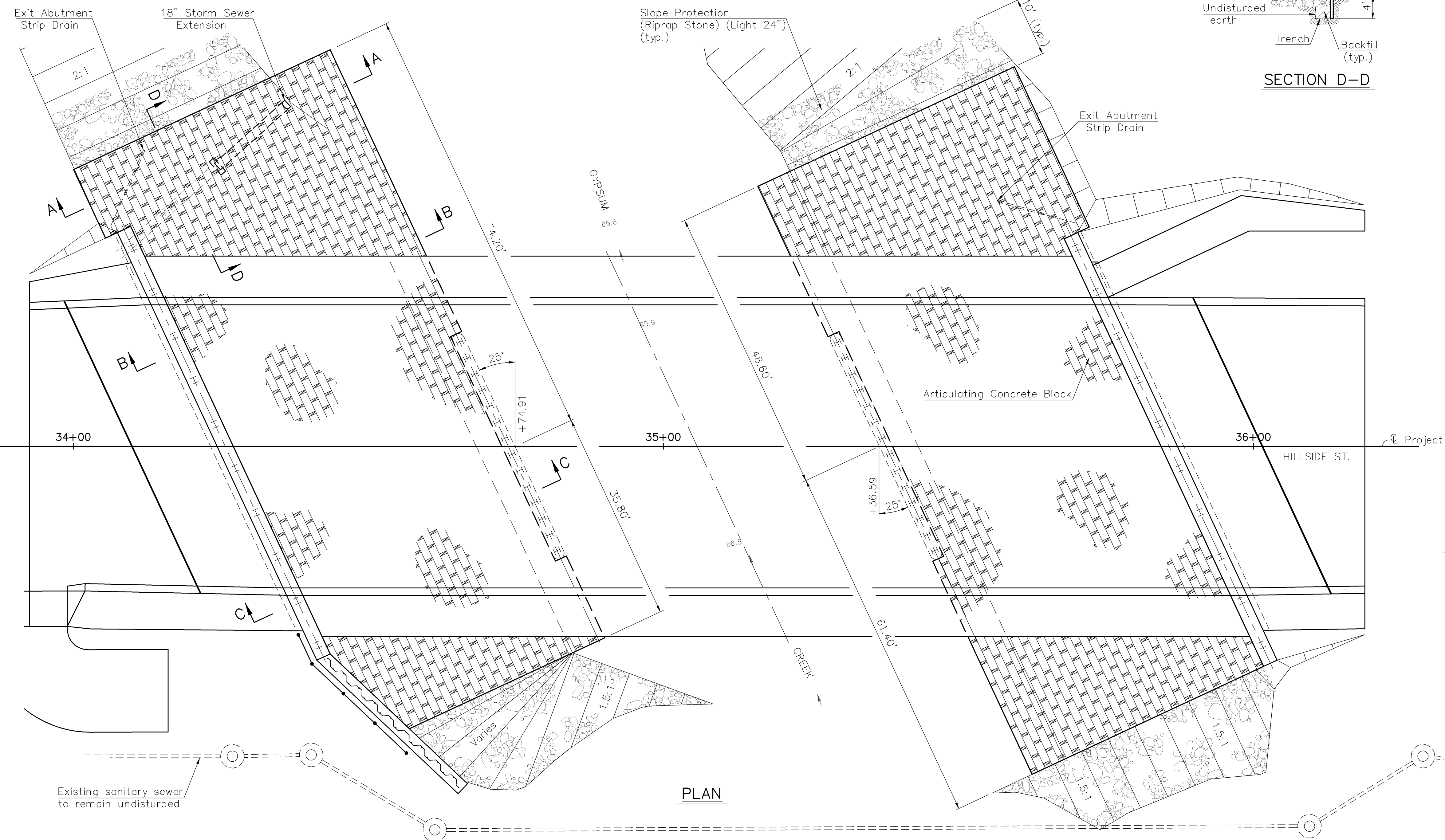
SECTION B-B



SECTION C-C



SECTION D-D



PLAN

GENERAL NOTES

ARTICULATING CONCRETE BLOCKS SHALL BE ASSEMBLED INTO PREFABRICATED MATS USING POLYESTER OR GALVANIZED STEEL CABLE. BLOCKS SHALL BE INTERLOCKING BY USE OF A STAGGERED CONFIGURATION WHEN MATS ARE ASSEMBLED. AT THE APPROVAL OF THE ENGINEER ALTERNATE METHODS OF ANCHORING THE MATS AT THE TOE AND TOP MAY BE USED.

ARTICULATING CONCRETE BLOCK MATS SHALL MEET THE FOLLOWING SPECIFICATIONS:

- ARMORFLEX CLOSED CELL CLASS 55, OR APPROVED EQUAL
- BLOCK WEIGHT: 94-108 LBS, 53-61 LBS/SQ. FT.
- OPEN AREA: 10%
- SPECIFIC WEIGHT: 130-150 LBS/CU. FT.
- COMPRESSIVE STRENGTH: 4,000 LBS/SQ. IN.
- MAXIMUM ABSORPTION: 12 LBS/CU. FT.

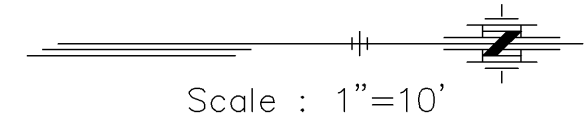
GEOTEXTILE SHALL BE PLACED UNDER ALL OF THE ARTICULATING CONCRETE BLOCK MATS AND THE ROCK SLOPE PROTECTION AND SHALL MEET THE FOLLOWING SPECIFICATIONS:

- MIRAFI 180N BY TC MIRAFI, OR APPROVED EQUAL
- APPARENT OPENING SIZE ASTM D4751: U.S. SIEVE 80
- PERMEABILITY ASTM D4491: 0.28 cm/SEC.
- FLOW RATE ASTM D4491: 95 GAL/MIN/SQ. FT.
- GRAB TENSILE STRENGTH ASTM D4632: 205 LBS.
- GRAB TENSILE ELONGATION ASTM 4633: 50%
- TRAPEZOID TEAR STRENGTH ASTM 4533: 80 LBS.
- MULLEN BURST STRENGTH ASTM D3786: 400 PSI
- PUNCTURE ASTM D4833: 130 LBS.
- SHALL MEET AASHTD M288, CLASS A

INSTALLATION OF ARTICULATING CONCRETE BLOCK MATS AND GEOTEXTILE SHALL BE IN ACCORDANCE WITH THE MANUFACTURERS GUIDELINES AND SPECIFICATIONS.

THE BID ITEM "ARTICULATING CONCRETE BLOCK MAT" SHALL INCLUDE ALL EXCAVATION, BACKFILL, MATERIAL AND LABOR TO CONSTRUCT AND PLACE THE ARTICULATING CONCRETE BLOCK MATS TO THE LIMITS SHOWN ON THIS SHEET. GEOTEXTILE SHALL NOT BE PAID FOR SEPARATELY BUT SHALL BE SUBSIDIARY TO THE BID ITEM "ARTICULATING CONCRETE BLOCK MAT".

THE CONTRACTOR SHALL FILL VOIDS, PATCH GEOTEXTILE AND REPLACE ANY BLOCKS THAT ARE DAMAGED OR REMOVED DURING CONSTRUCTION.



Scale : 1"=10'

SUMMARY OF QUANTITIES	
ARTICULATING CONCRETE BLOCK MAT	1,356 SQ. YDS.
(Includes the 4' anchors at the perimeter of mats)	

PROJECT NO. 87 N-0359-01
ARTICULATING CONCRETE BLOCK LAYOUT
 HILLSIDE ST. BRIDGE OVER GYPSUM CREEK
 STA. 35+05.75 CITY OF WICHITA

CFS
Cook, Flatt & Strobel
 ENGINEERS, P.A.

DESIGNED	RSC	SCALE
DETAILED	DEG	DATE
QUANTITIES	SHEET	OF

J:\2004PROJ\04559\DWGS\CL 1"=10'