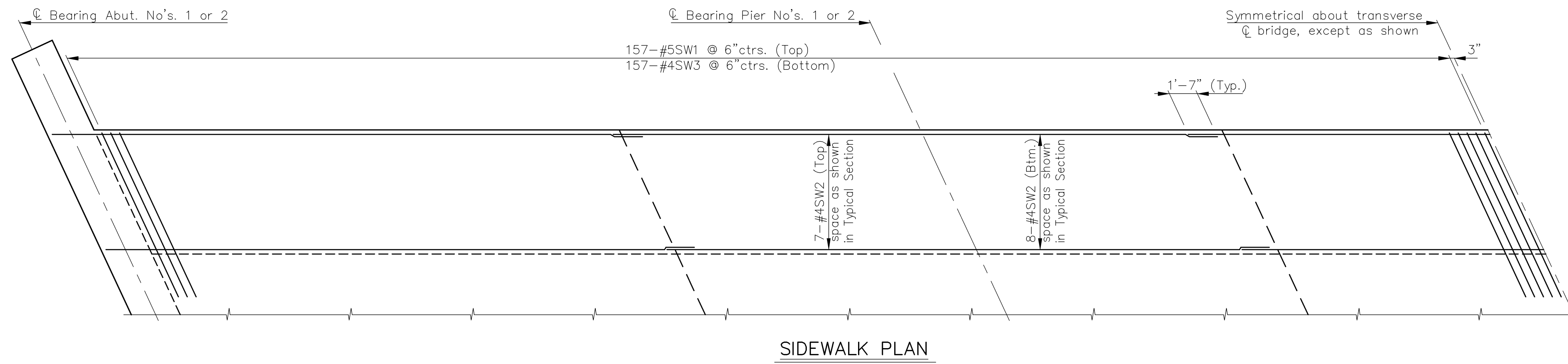
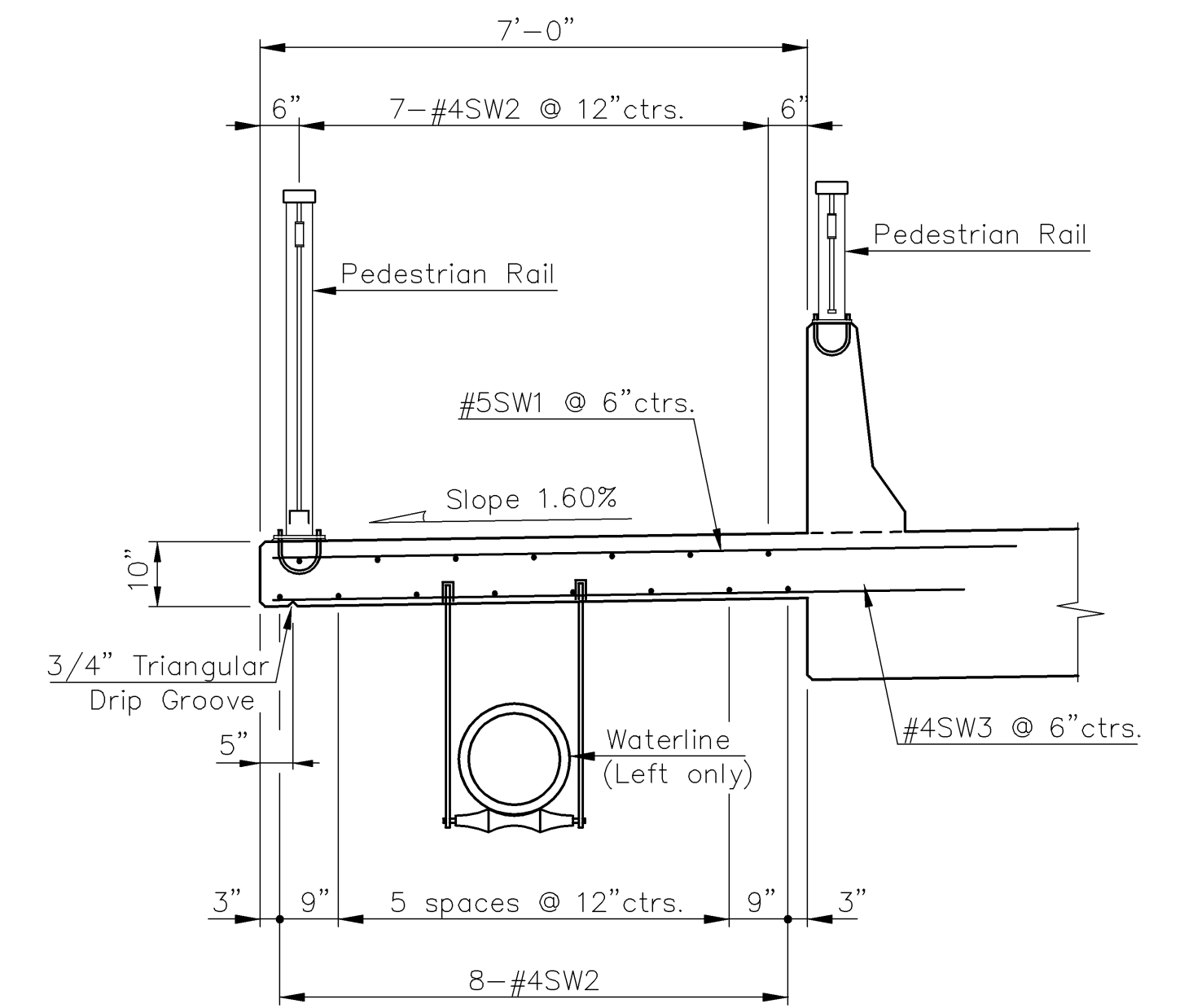


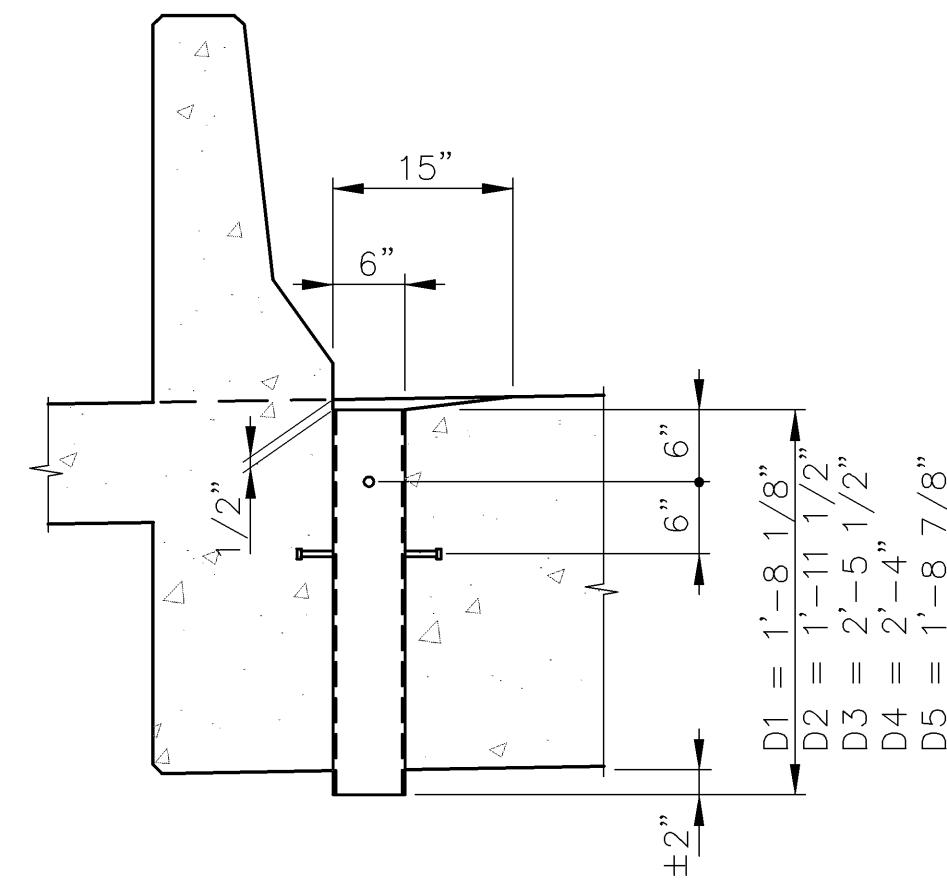
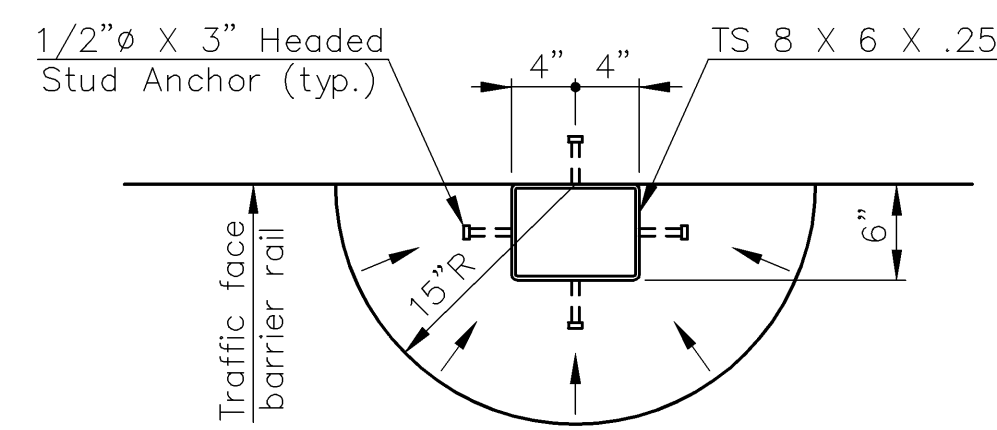
STATE	PROJECT NO.	YEAR	SHEET NO.	TOTAL SHEETS
KANSAS	87 N-0359-01	2006	25	61



**SIDEWALK PLAN**

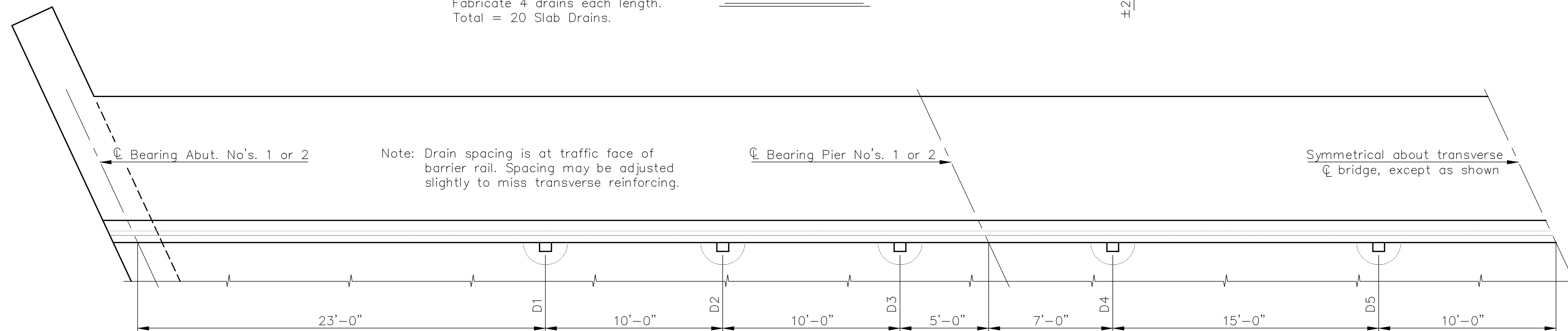


**TYPICAL SECTION THRU SIDEWALK**



Note: Structural Tubing shall conform to ASTM A501.  
 Drain assembly shall be hot dip galvanized after fabrication.  
 Fabricate 4 drains each length.  
 Total = 20 Slab Drains.

**DRAIN DETAILS**



**DRAIN SPACING**

Note: Drain spacing is at traffic face of barrier rail. Spacing may be adjusted slightly to miss transverse reinforcing.

PROJECT NO. 87 N-0359-01		<b>CFS</b> Cook, Flatt & Strobel ENGINEERS, P. A.
MISCELLANEOUS SUPERSTRUCTURE DETAILS		
HILLSIDE ST. BRIDGE OVER GYPSUM CREEK		DESIGNED RSC SCALE
STA. 35+05.75 CITY OF WICHITA		DETAILED DEG DATE
		QUANTITIES SHEET OF