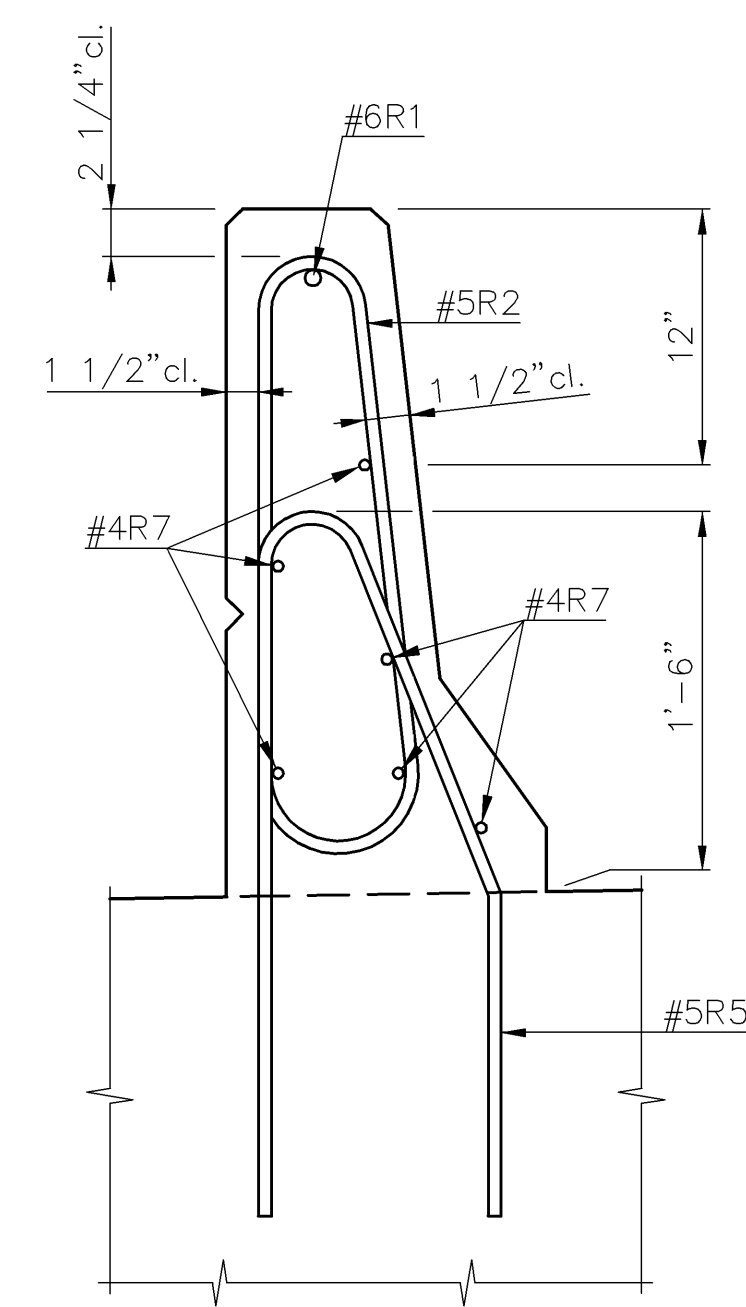
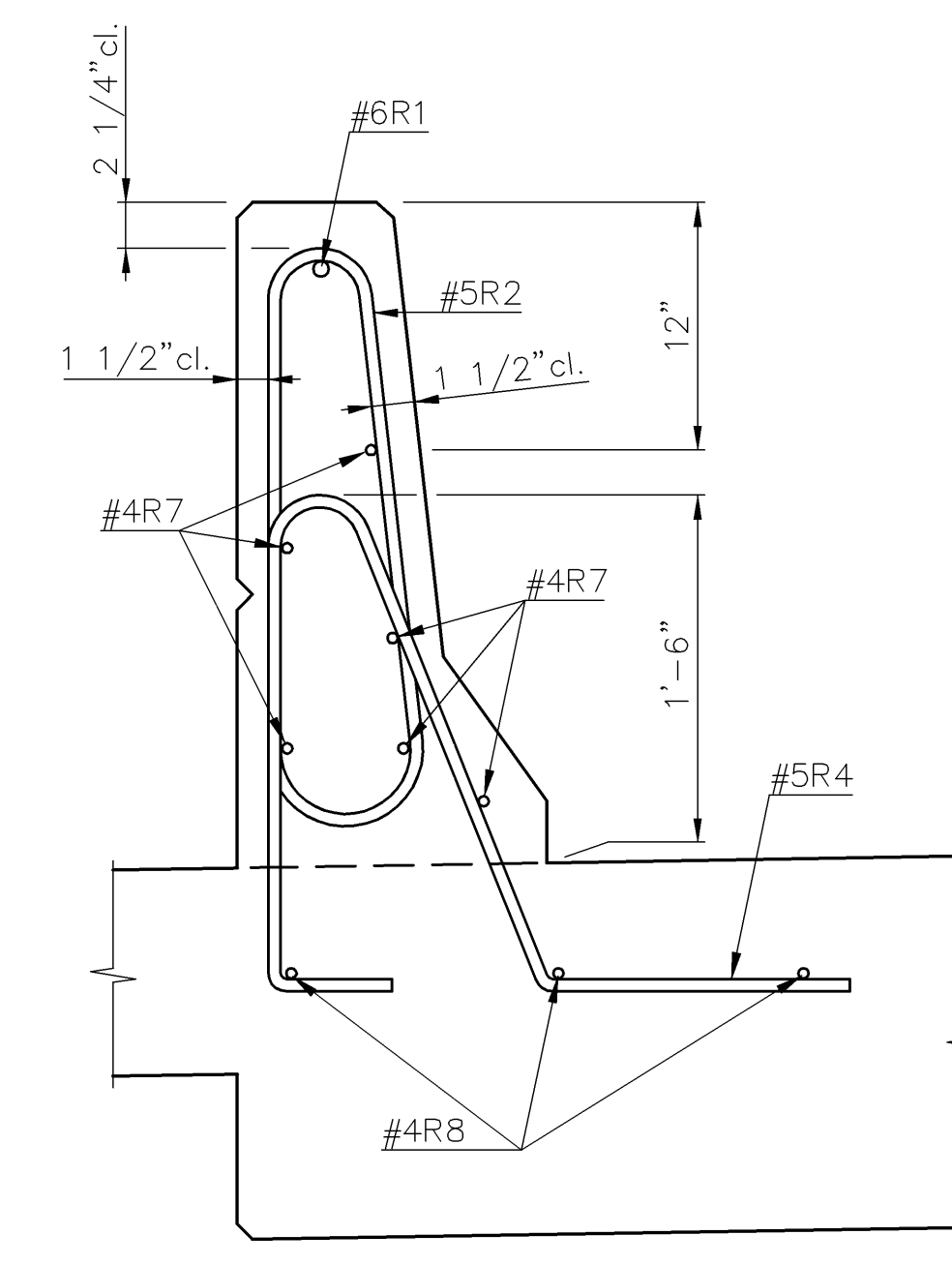


Note: N.S. Indicates near surface  
 F.S. Indicates far surface  
 E.S. Indicates each surface

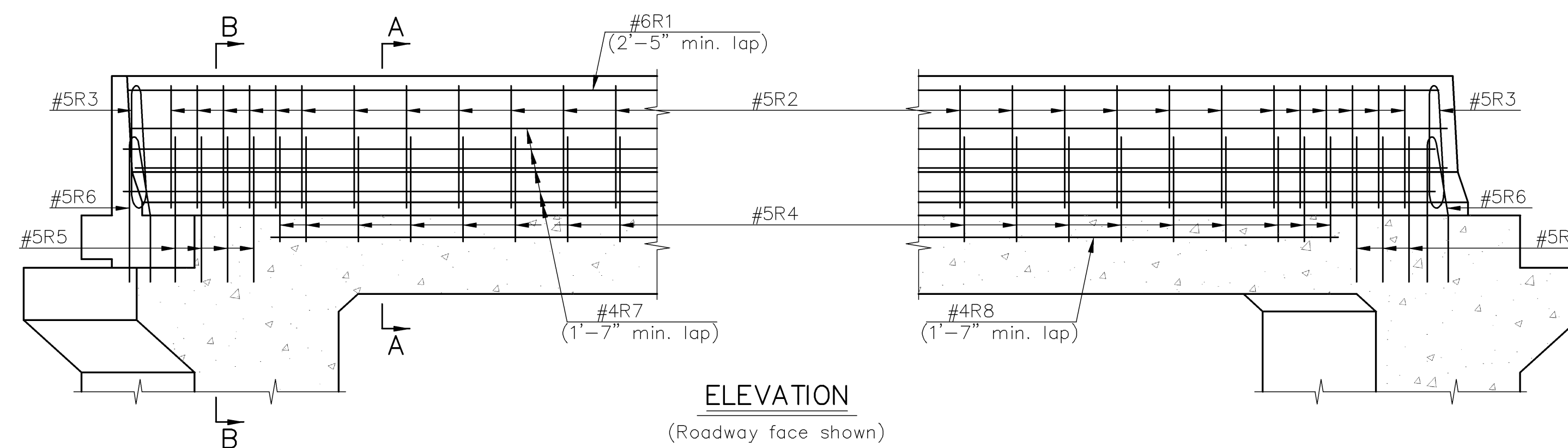
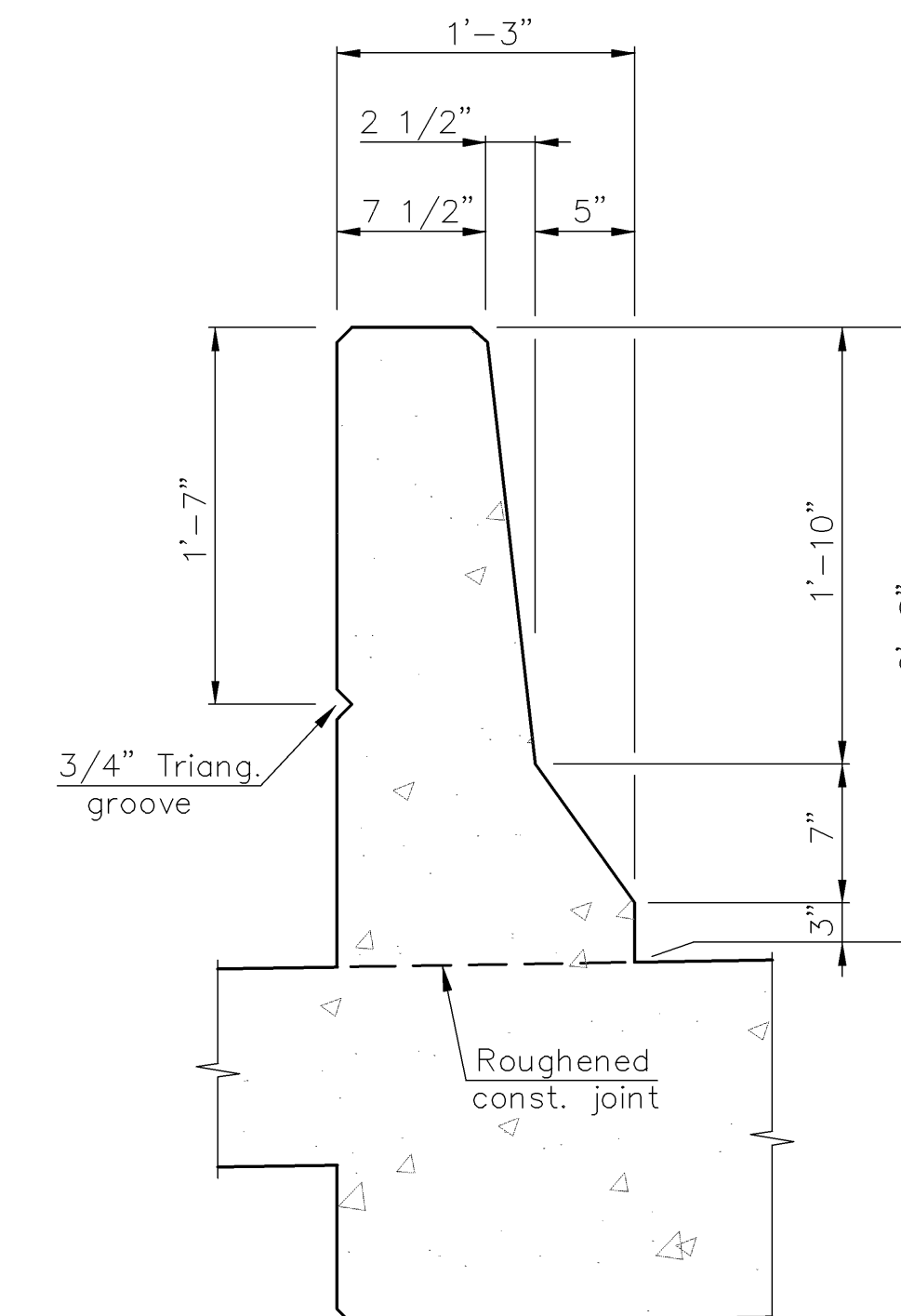
STATE	PROJECT NO.	YEAR	SHEET NO.	TOTAL SHEETS
KANSAS	87 N-0359-01	2006	26	61



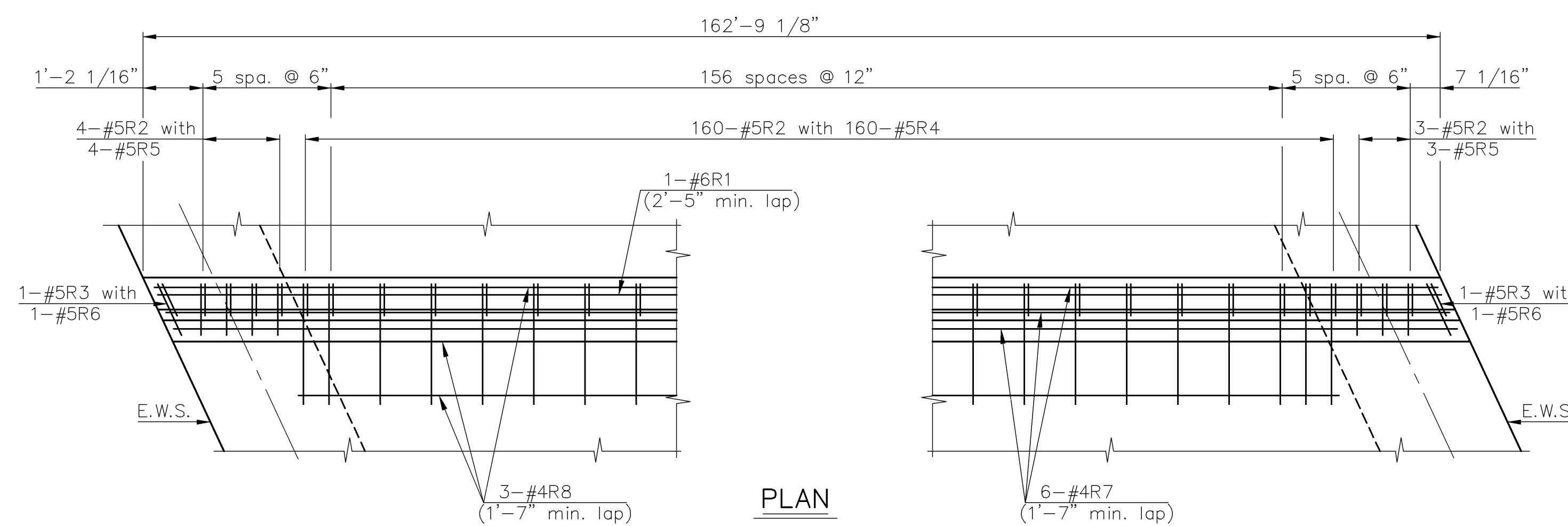
SECTION B-B



SECTION A-A



ELEVATION  
(Roadway face shown)



PLAN

PROJECT NO. 87 N-0359-01  
 TRAFFIC BARRIER DETAILS  
 HILLSIDE ST. BRIDGE OVER GYPSUM CREEK  
 STA. 35+05.75 CITY OF WICHITA

**CFS**  
 Cook, Flatt & Strobel  
 ENGINEERS, P.A.

DESIGNED	RSC	SCALE
DETAILED	DEG	DATE
QUANTITIES	SHEET	OF

J:\2004PROJ\04559\DWGS\RAIL 1"=3'