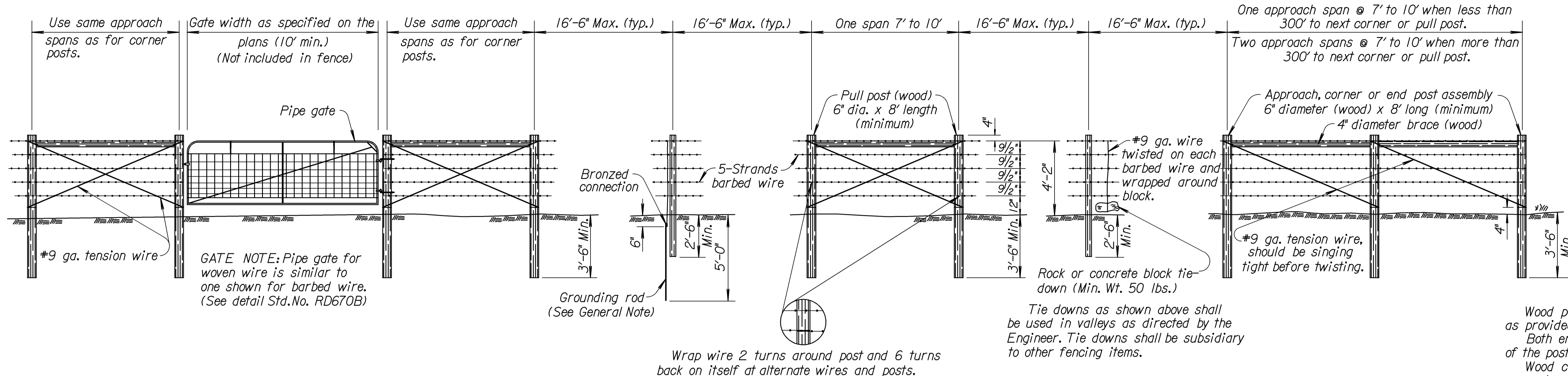
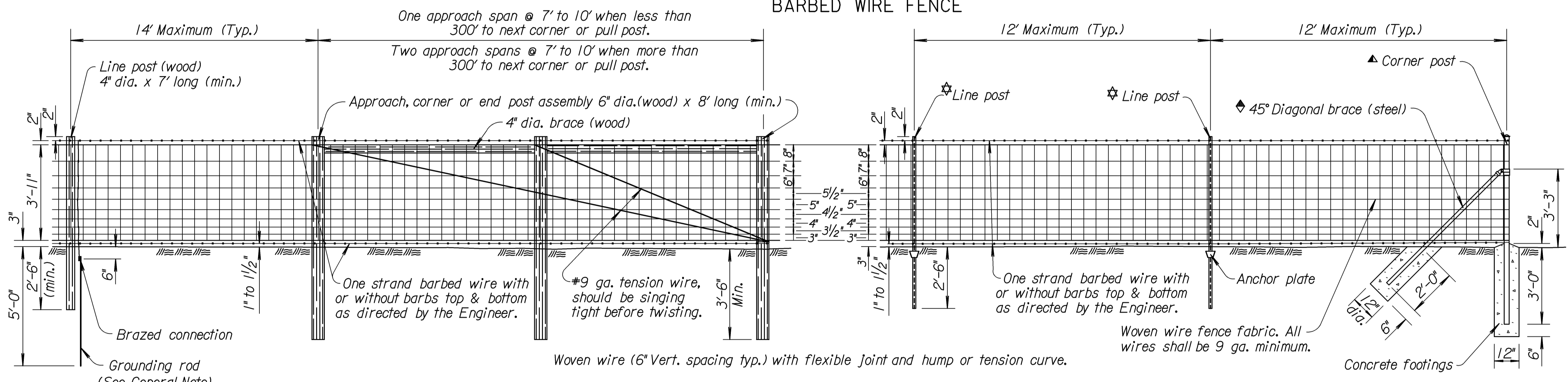


STATE	PROJECT NO.	YEAR	SHEET NO.	TOTAL SHEETS
KANSAS	87 N-0359-01	2006	33	61



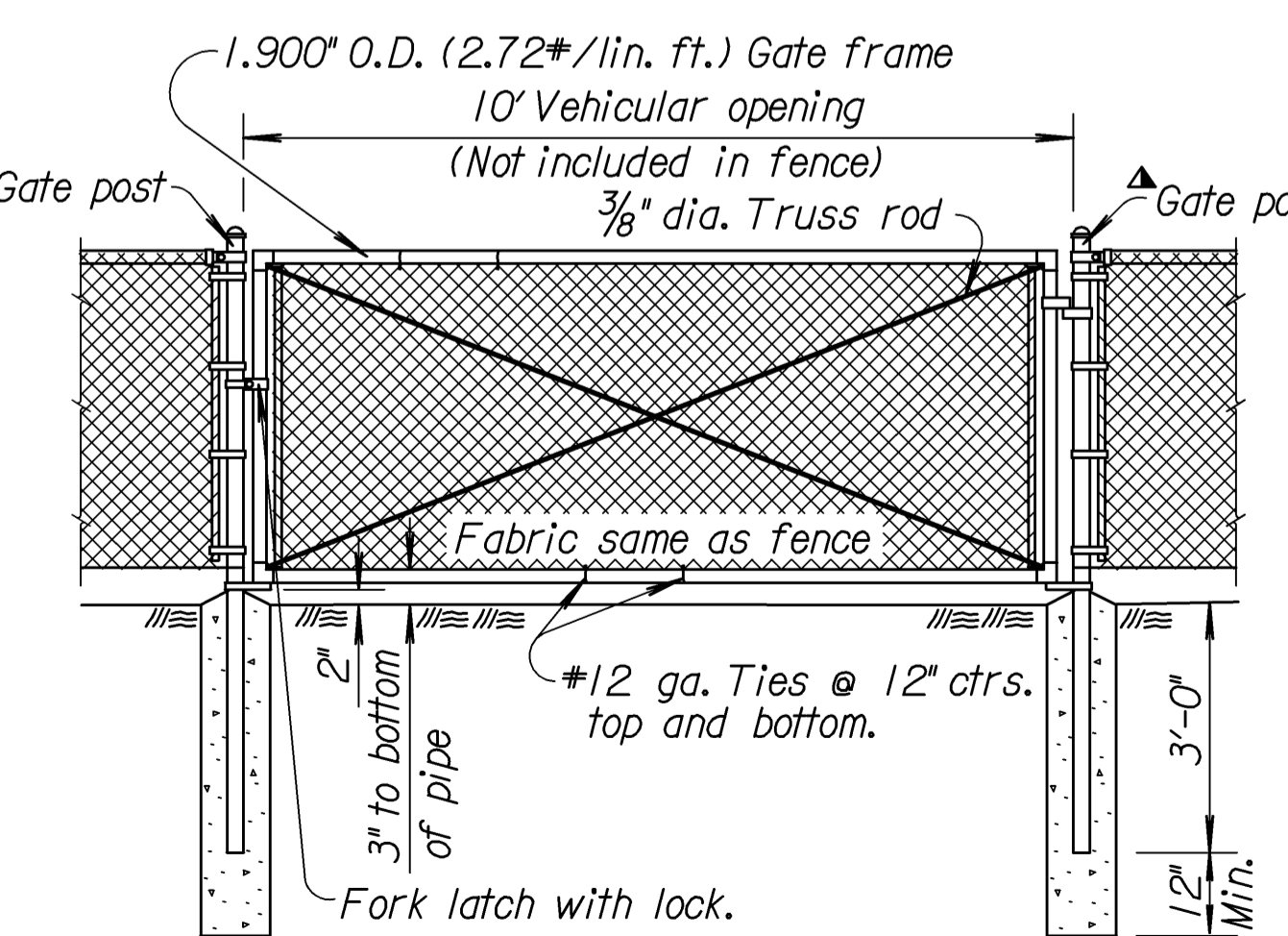
BARBED WIRE FENCE



WOVEN WIRE TYPE A FENCE

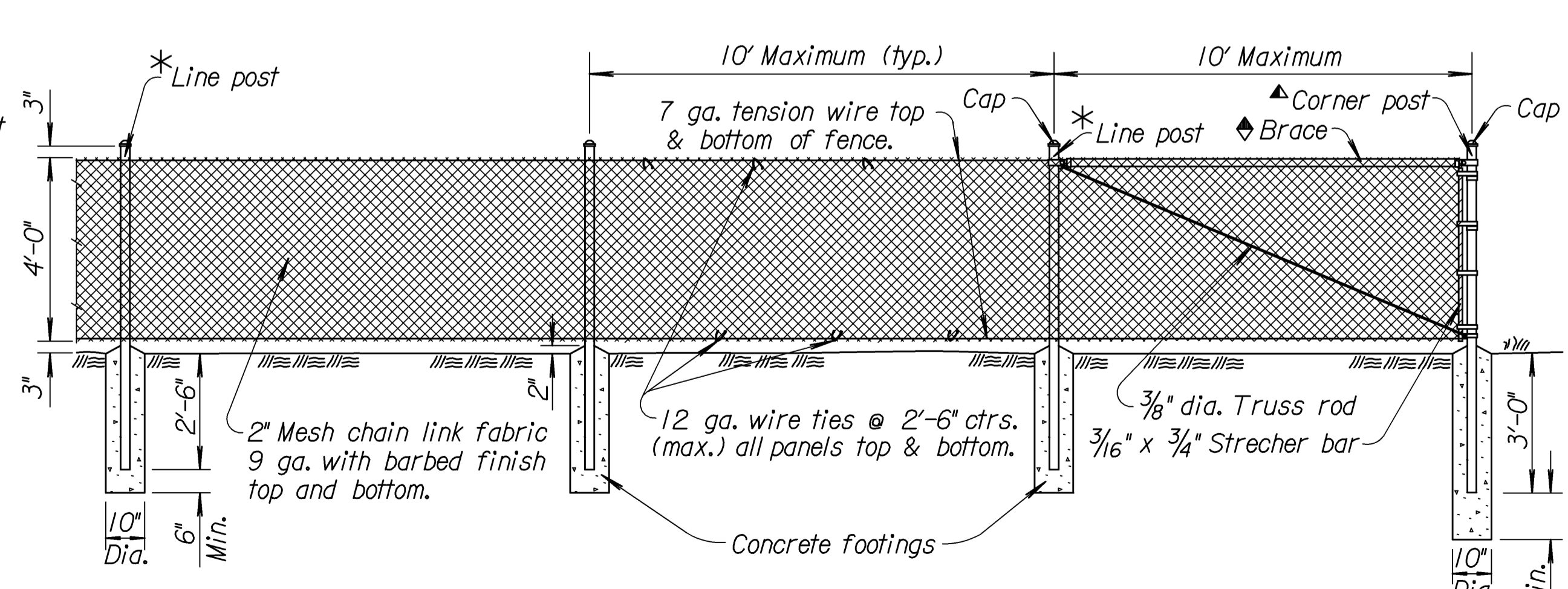
WOVEN WIRE TYPE B FENCE

Pull post assembly for woven wire with wood posts shall be similar to barbed wire pull post assembly detail.



Note: Alternate gate designs may be submitted for approval. Lighter weight materials will not be approved.

DETAIL of GATE, HINGE & SPECIFICATIONS



CHAIN LINK FENCE

- (STEEL)
- Steel line post 7'-0" length
 - Studded T (1.33#/lin. ft.)
 - U (1.33#/lin. ft.)
 - H (2.27#/lin. ft.)
 - 1 3/4" Oval back I beam (2.43#/lin. ft.)
 - Brace
 - 1.660" O.D., 0.083" Th. (1.40#/lin. ft.) pipe (Group 1C) or 1.660" O.D., 0.140" Th. (2.27#/lin. ft.) pipe (Group 1A) or 1 3/4" Oval Back I-Beam (2.45#/lin. ft.) or 1 5/8" x 1/4" Brace rail (See Alt. Details)
 - * Line post 7'-0" length.
 - 2.375" O.D., 0.154" Th. (3.65#/lin. ft.) pipe (Group 1A) or 2.375" O.D., 0.130" Th. (3.12#/lin. ft.) pipe (Group 1C) or 1 3/4" Oval Back I-Beam (2.43#/lin. ft.) or 1 5/8" x 1/8" C Post (2.28#/lin. ft.) or H Post (2.6#/lin. ft. min.)
 - End, corner, gate, or pull post 7'-6" length.
 - (A120) 2.875" O.D., 0.203" Th. (5.97#/lin. ft.) pipe (Group 1A) or 2.875" O.D., 0.160" Th. (4.64#/lin. ft.) pipe (Group 1C) or 2 1/4" Oval Back I-Beam (3.65#/lin. ft.) or 3 1/2" x 3/2" Type II (4.85#/lin. ft.)

GENERAL NOTE

Wood posts and braces shall be given a preservative treatment as provided in the K.D.O.T. Standard Specifications. Both ends of all wood posts shall be cut normal to the axis of the post. Pointed posts will not be permitted. Wood corner, end, pull and approach posts shall be notched to support ends of wood braces. Wood braces shall be toenailed to the posts with 2-10d nails in each end of the brace. When wood posts are used, both ends of all tension wires shall be wrapped around the posts twice and stapled in place. When wood posts are used the fence shall be grounded by a 5/8" diameter galvanized or copper coated rod five feet long, driven vertically until the top is six inches below the ground surface. A #6 solid copper conductor shall be securely fastened to each element of the fence by use of clamps or other suitable device. Grounding rod shall be installed at intervals of 175' maximum. In lieu of using the galvanized or copper coated rod as described above the contractor may, at his option, use a steel line post at intervals not to exceed each eighth post. The galvanized or copper coated rod shall be used where power lines pass over the fence. All steel posts, braces, fittings, and gate frames shall be galvanized and/or coated in accordance with KDOT Standard Spec. Steel posts shall be provided with fasteners to prevent slippage of the wire strands. Outside diameters shown for tubular steel posts, bracing and gate frames are nominal. Weight tolerances shall be as shown in the K.D.O.T. Standard Specifications. Posts may be set by driving or digging. If by digging, the posts shall be set in the center of the hole and the soil tamped securely on all sides. Pull post assembly shall be used at sharp breaks in vertical grade or at approximately 330' centers (Woven & Chain link) or 1320' centers (Barbed wire) on straight runs or as directed by the Engineer. Concrete used in fence installation shall conform to the requirements of the K.D.O.T. Standard Specifications. Woven wire, chain link fabric, barbed wire and tension wire shall be either zinc coated (galvanized) or aluminum coated. Minimum strength of barbed wire and tension wire shall be as provided in the K.D.O.T. Standard Specifications. Use #9 gauge galvanized staples 1 1/2" to 1 3/4" long, or #9 gauge galvanized Ring-shank staples 1 1/2" to 1 3/4" long. Alternate gate designs may be submitted for approval. Lighter weight materials will not be approved. Padlocks for gates shall be furnished by the State.

Drawn By: \$\$\$USERNAME\$\$\$ Plotted: \$\$\$SYTIME\$\$\$
File: \$\$\$FILENAME\$\$\$

NO.	DATE	REVISIONS	BY	APP'D
8	11-08-05	Revised Brace dimension	S.W.K.	J.O.B.
7	11-02-04	Added assembly to end post label	S.W.K.	J.O.B.
6	5-30-02	Removed KDOT ownership sign.	S.W.K.	J.O.B.
5	1-12-98	Rev. line post and end post listing	R.J.S.	J.O.B.

KANSAS DEPARTMENT OF TRANSPORTATION

**HIGHWAY FENCE
BARBED, WOVEN, & CHAIN LINK**

RD670A

DESIGNED	11-18-05	APP'D. James O. Brewer	
DESIGN CK.	DETAIL CK.	QUANTITIES	TRACED B.N.B.
		QUAN. CK.	TRACE CK. R.J.S.