

TARABURY LANE W.L. LOT 15, BLK B, WILLO ESQUE 2nd ADD  
To E.L. RIDGE ROAD.

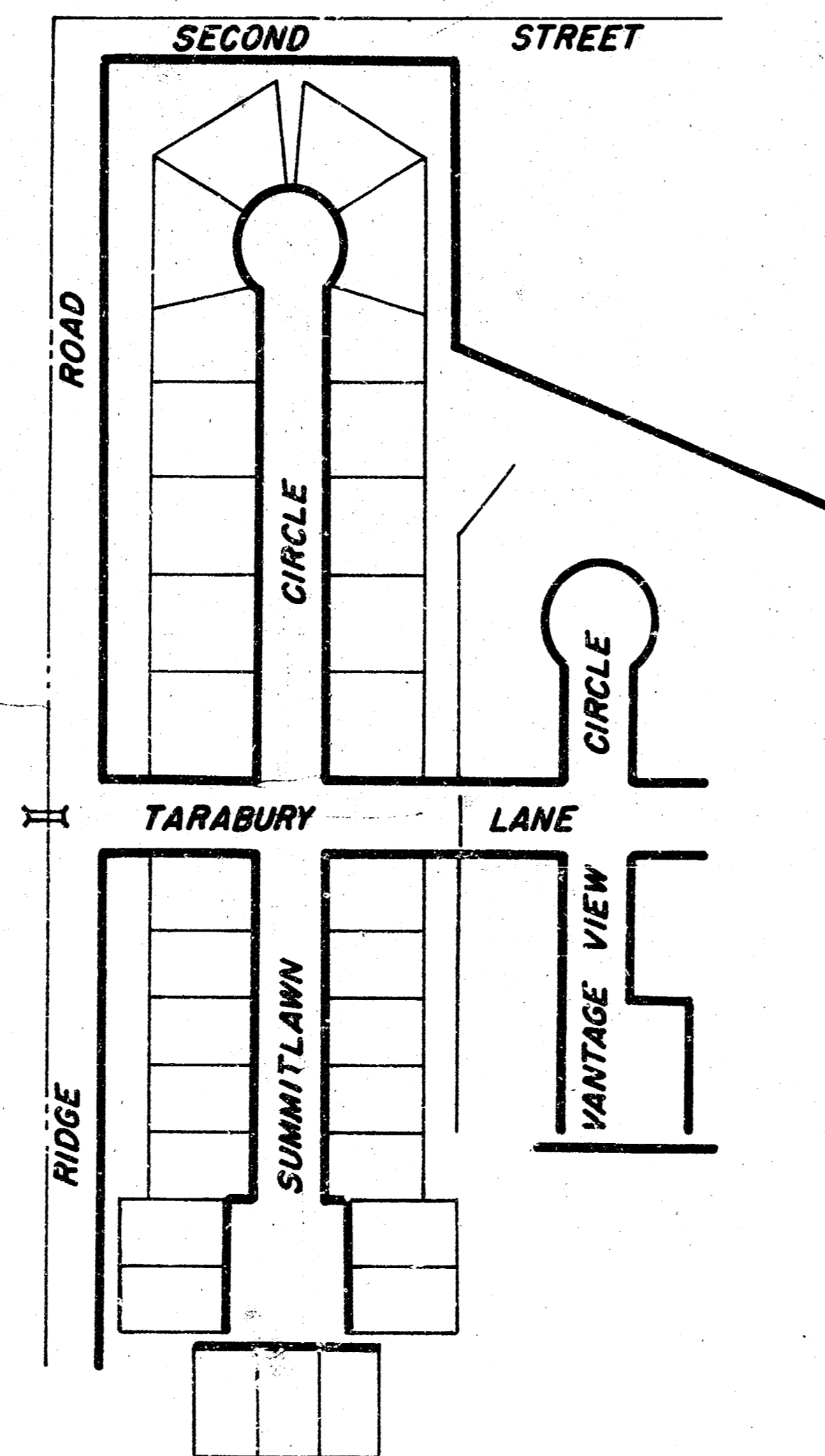
SUMMITLAWN CIRCLE N.L. TARABURY To & Including CUL-DE-SAC.

SUMMITLAWN CIRCLE S.L. TARABURY To & Including CUL-DE-SAC

CITY OF WICHITA, KANSAS

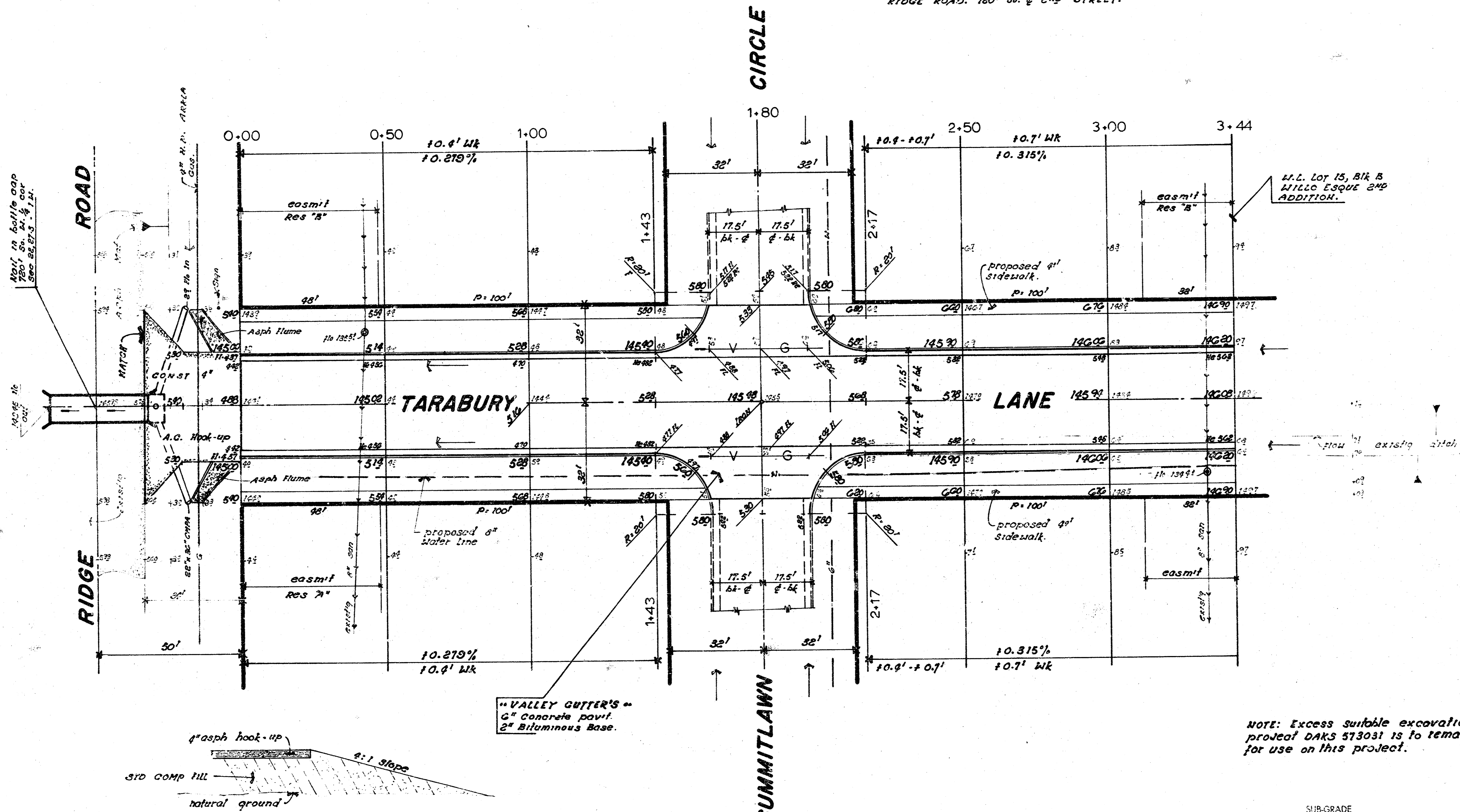
R. W. LINN CITY ENGINEER

PROJECT No. DAKS573030



B.M. 1637 "X" Top East Headwall P.C.B. on  
RIDGE ROAD. 780' S. of 2ND STREET.

N  
SCALE 1" = 20'



Work in bottle cap  
780' S. of 2ND ST.  
SEE SECTIONS 1 & 2.

W.L. Lot 15, Blk B  
WILLO ESQUE 2ND  
ADDITION.

Summit  
E.P. 100  
EX. 100  
C.P. 100

MOVE IN  
OUT

ROAD

RIDGE

ROAD

RIDGE

RIDGE

RIDGE

RIDGE

RIDGE

CIRCLE

TARABURY

LANE

SUMMITLAWN

LANE

LANE

LANE

0+00

0+50

1+00

1+80

2+50

3+00

3+44

10.4' WK  
10.279%

10.4' WK  
10.315%

10.4' WK  
10.279%

10.4' WK  
10.315%

10.4' WK  
10.315%

10.4' WK  
10.315%

10.4' WK  
10.315%

32'

32'

32'

32'

32'

32'

32'

1.43

1.43

1.43

1.43

1.43

1.43

1.43

17.5'

17.5'

17.5'

17.5'

17.5'

17.5'

17.5'

2.17

2.17

2.17

2.17

2.17

2.17

2.17

17.5'

17.5'

17.5'

17.5'

17.5'

17.5'

17.5'

17.5'

17.5'

17.5'

17.5'

17.5'

17.5'

17.5'

17.5'

17.5'

17.5'

17.5'

17.5'

17.5'

17.5'

17.5'

17.5'

17.5'

17.5'

17.5'

17.5'

17.5'

17.5'

17.5'

17.5'

17.5'

17.5'

17.5'

17.5'

17.5'

17.5'

17.5'

17.5'

17.5'

17.5'

17.5'

17.5'

17.5'

17.5'

17.5'

17.5'

17.5'

17.5'

17.5'

17.5'

17.5'

17.5'

17.5'

17.5'

17.5'

17.5'

17.5'

17.5'

17.5'

17.5'

17.5'

17.5'

17.5'

17.5'

17.5'

17.5'

17.5'

17.5'

17.5'

17.5'

17.5'

17.5'

17.5'

17.5'

17.5'

17.5'

17.5'

17.5'

17.5'

17.5'

17.5'

17.5'

17.5'

17.5'

17.5'

17.5'

17.5'

17.5'

17.5'

17.5'

17.5'

17.5'

17.5'

17.5'

17.5'

17.5'

17.5'

17.5'

17.5'

17.5'

17.5'

17.5'

17.5'

17.5'

17.5'

17.5'

17.5'

17.5'

17.5'

17.5'

17.5'

17.5'

17.5'

17.5'

17.5'

17.5'

17.5'

17.5'

17.5'

17.5'

17.5'

17.5'

17.5'

17.5'

17.5'

17.5'

17.5'

17.5'

17.5'

17.5'

17.5'

17.5'

17.5'

17.5'

17.5'

17.5'

17.5'

17.5'

17.5'

17.5'

17.5'

17.5'

17.5'

17.5'

17.5'

17.5'

17.5'

17.5'

17.5'

17.5'

17.5'

17.5'

17.5'

17.5'

17.5'

17.5'

17.5'

17.5'

17.5'

17.5'

17.5'

17.5'

17.5'

17.5'

17.5'

17.5'

17.5'

17.5'

17.5'

17.5'

17.5'

17.5'

17.5'

17.5'

17.5'

17.5'

17.5'

17.5'

17.5'

17.5'

17.5'

17.5'

17.5'

17.5'

17.5'

17.5'

17.5'

17.5'

17.5'

17.5'

17.5'

17.5'

17.5'

17.5'

17.5'

17.5'

17.5'

17.5'

17.5'

17.5'

17.5'

17.5'

17.5'

17.5'

17.5'

17.5'

17.5'

17.5'

17.5'

17.5'

17.5'

17.5'

17.5'

17.5'

17.5'

17.5'

17.5'

17.5'

17.5'

17.5'

17.5'

17.5'

17.5'

17.5'

17.5'

17.5'

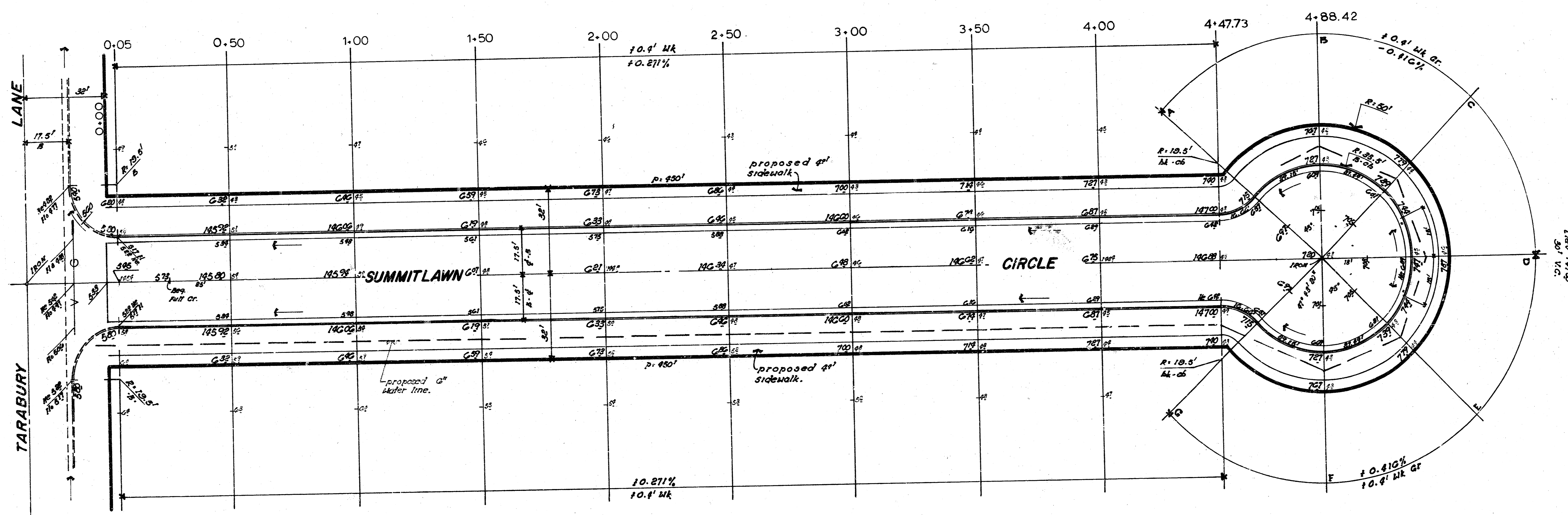
17.5'

17.5'

17.5'

17.5'

17.5'</



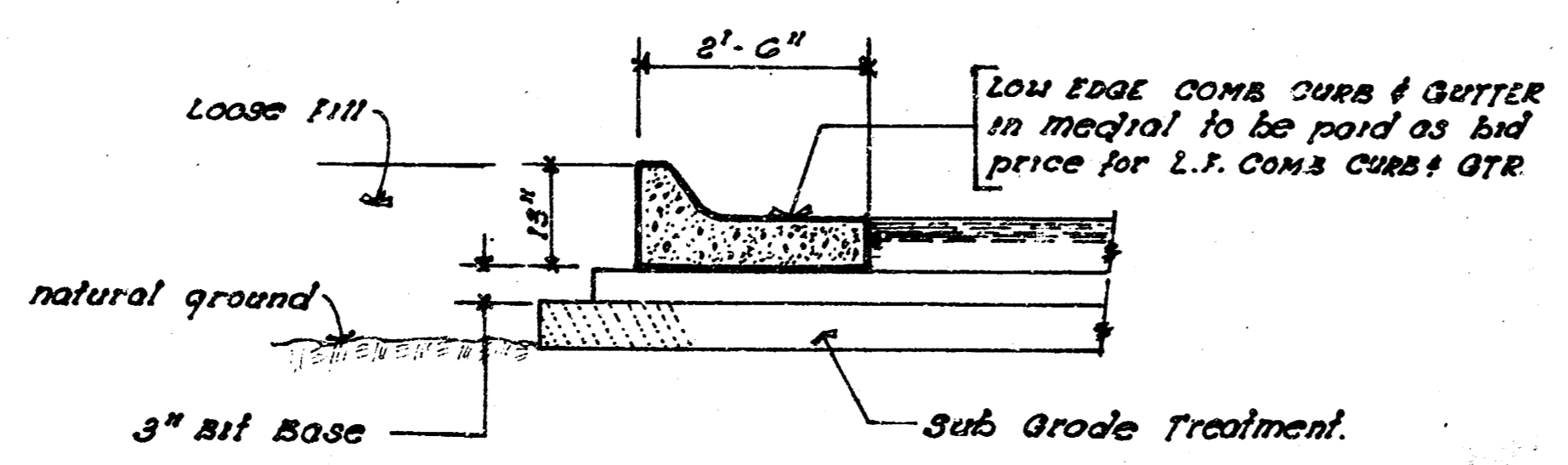
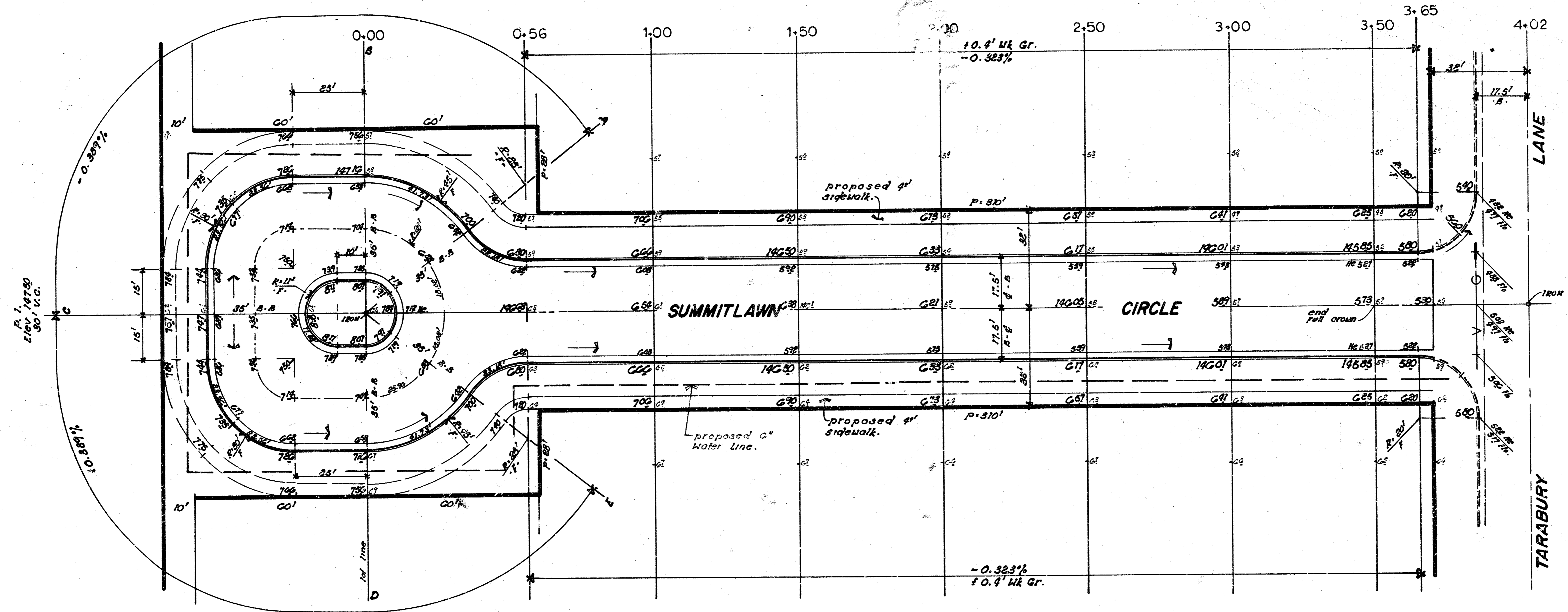
"PROPERTY"

Excavation	Comp Fill
74.3 cu yds	926.8 cu yds
110% 7.4	110% 92.7
81.7 cu yds	1019.5 cu yds

**SUMMITLAWN CIRCLE**  
 N.L. TARABURY LANE To and  
 Including CUL-DE-SAC.  
**CITY of WICHITA, KANSAS**  
 (3" bk-bk 6" Bituminous Base, 2" Asp  
 Conc Surface w/ Comb Curb & Gtr.  
 R W LINN CITY ENGINEER  
 DATE Sept 1976 Proj No. DAKS573030

5  
8

A.M. 14657' X Top E. Headwall P.C.B. on RIDGE ROAD  
720' S. of 2ND STREET.



**PROPERTY**

Excavation	COMP FILL
301.8 cu yds	159.3 cu yds
110% 30.2 "	15.9 "
<b>332.0 cu yds</b>	<b>175.2 cu yds</b>

7  
8

**SUMMITLAWN CIRCLE**  
S.L. TARABURY LANE To and  
Including CUL-DE-SAC.  
**CITY of WICHITA, KANSAS**  
(35 bk-bk 6" Bituminous Base, 2" Asph  
Conc Surface w/ Comb Curb & Gtr.)  
R.W. LINN CITY ENGINEER  
DATE Sept. 1976 Proj No. DAKS573030

FIL MED FROM THE BEST