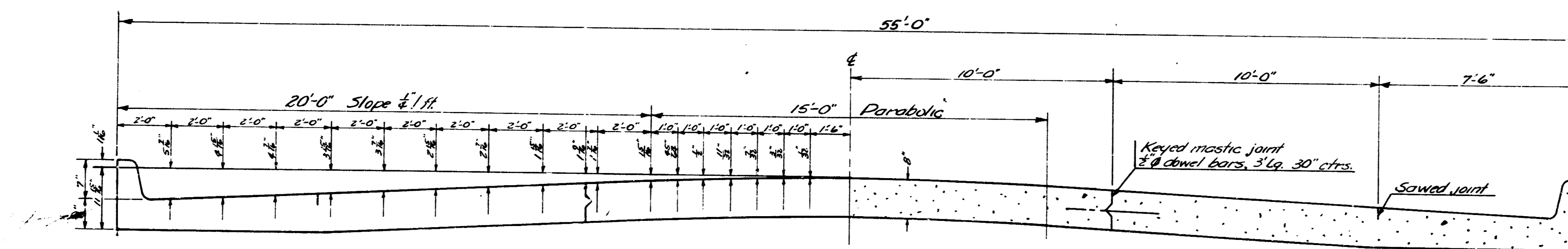
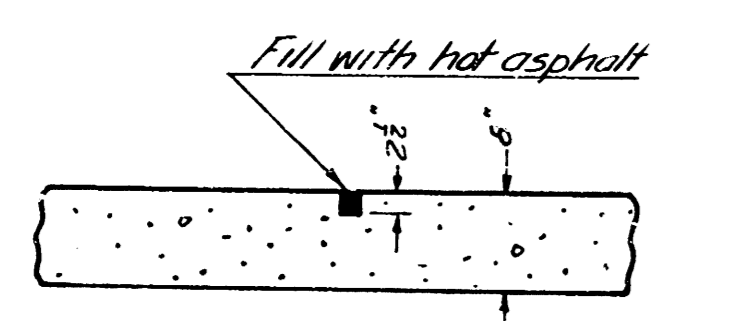


WASHINGTON AVE.
 SL: 1ST ST. TO S.L. CENTRAL

C14-44
 C14-45

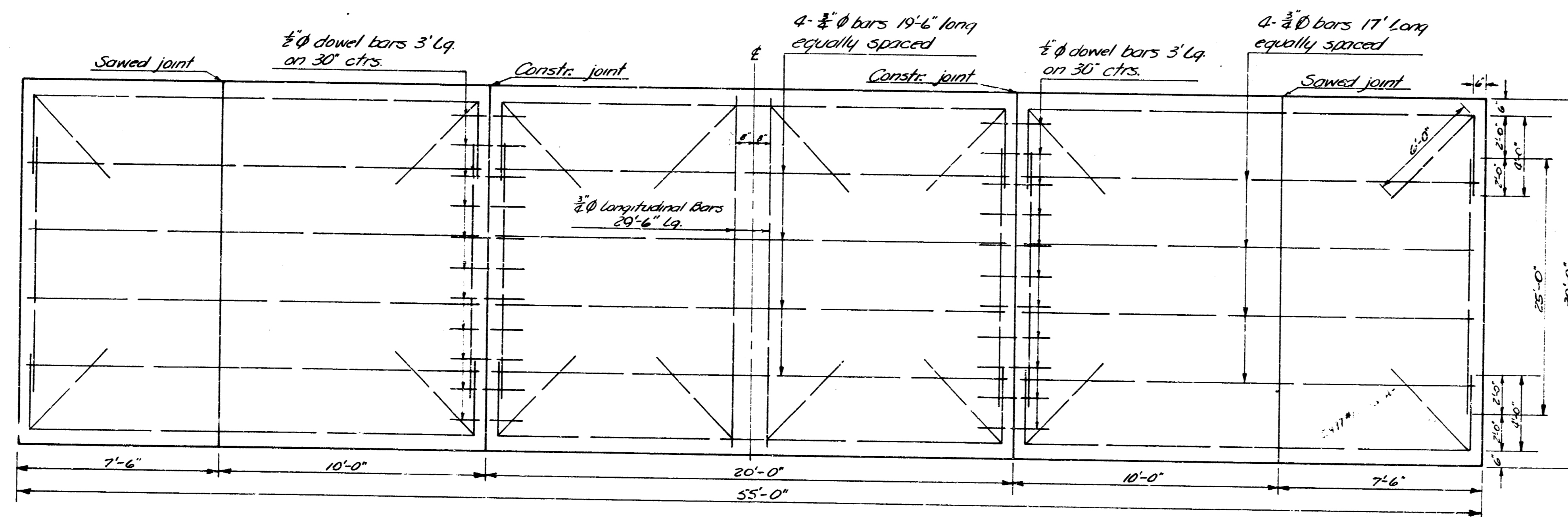


TYPICAL SECTION
 No Scale

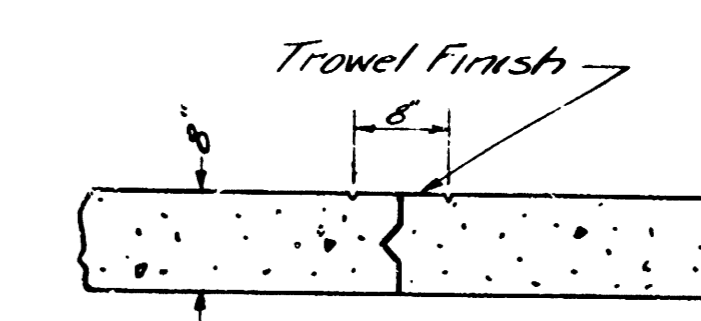


CONTRACTION JOINT DETAIL
 (SAWED JOINT)
 No Scale

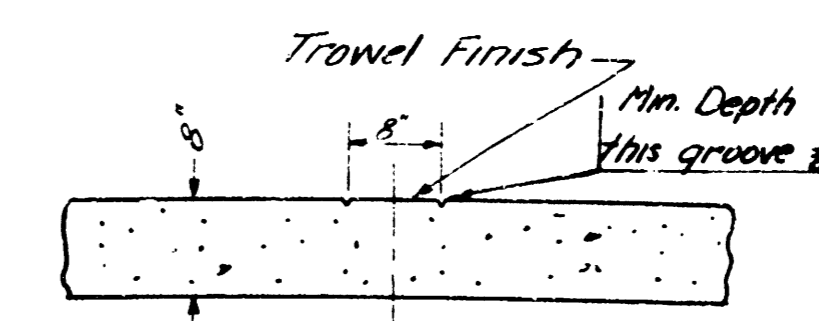
NOTE:
 Where Curbs in the same section
 are at different elevations, use
 elevation shown on plan for
 construction joint.



STEEL PATTERN
 No Scale

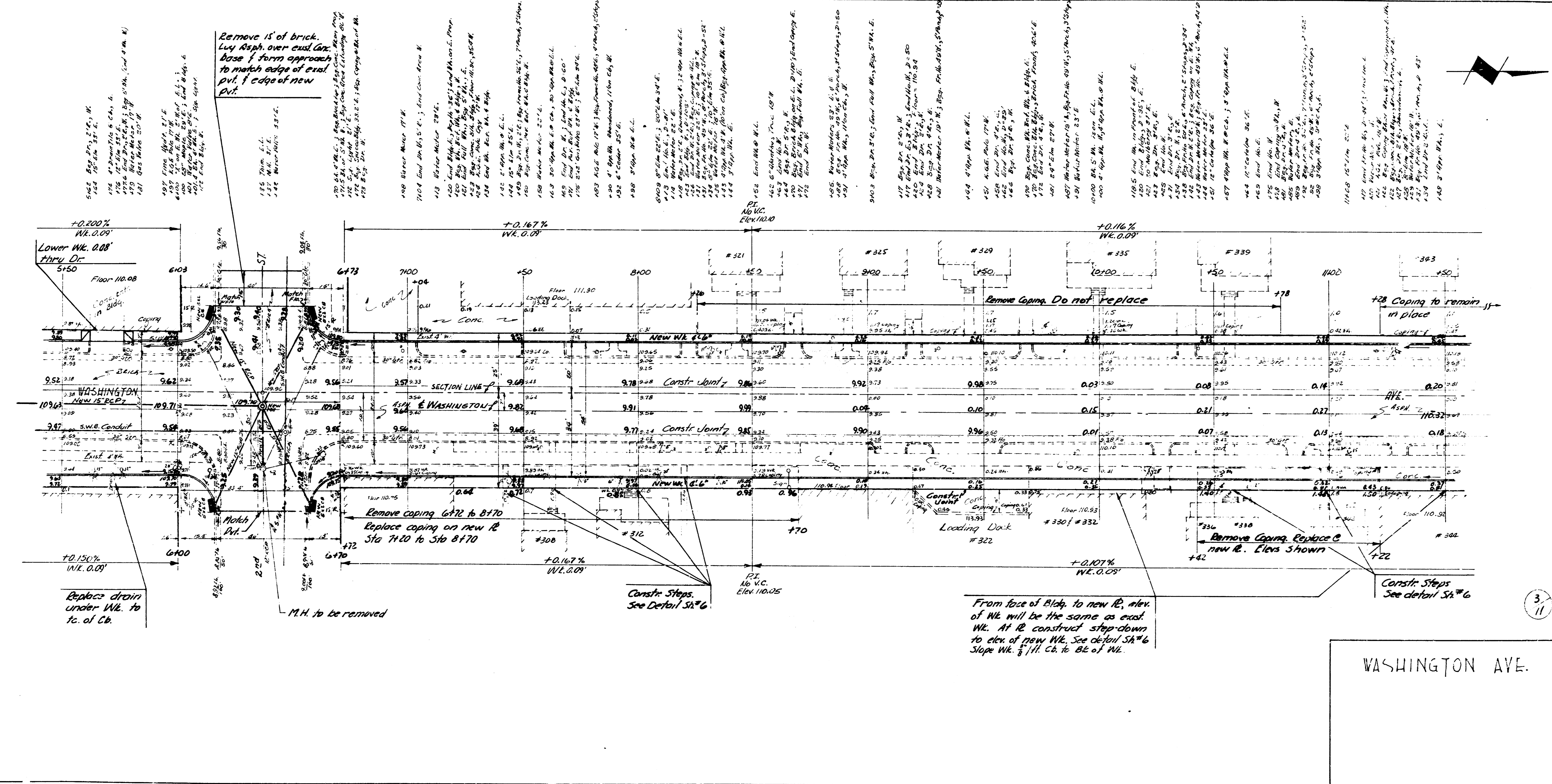


DETAIL OF MARKER
 AT CONSTR. JOINTS
 No Scale



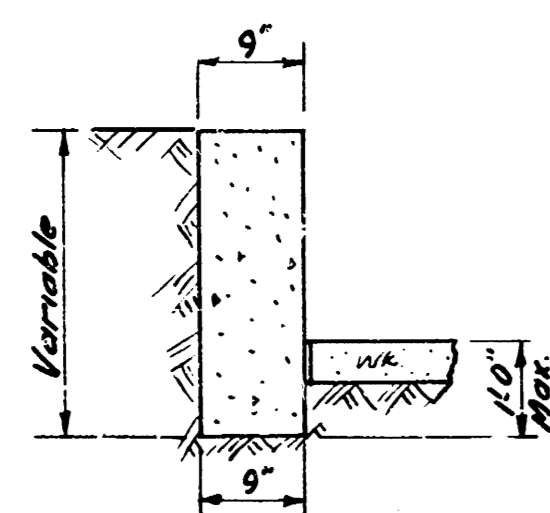
DETAIL OF MARKER
 ON CENTER LINE
 No Scale





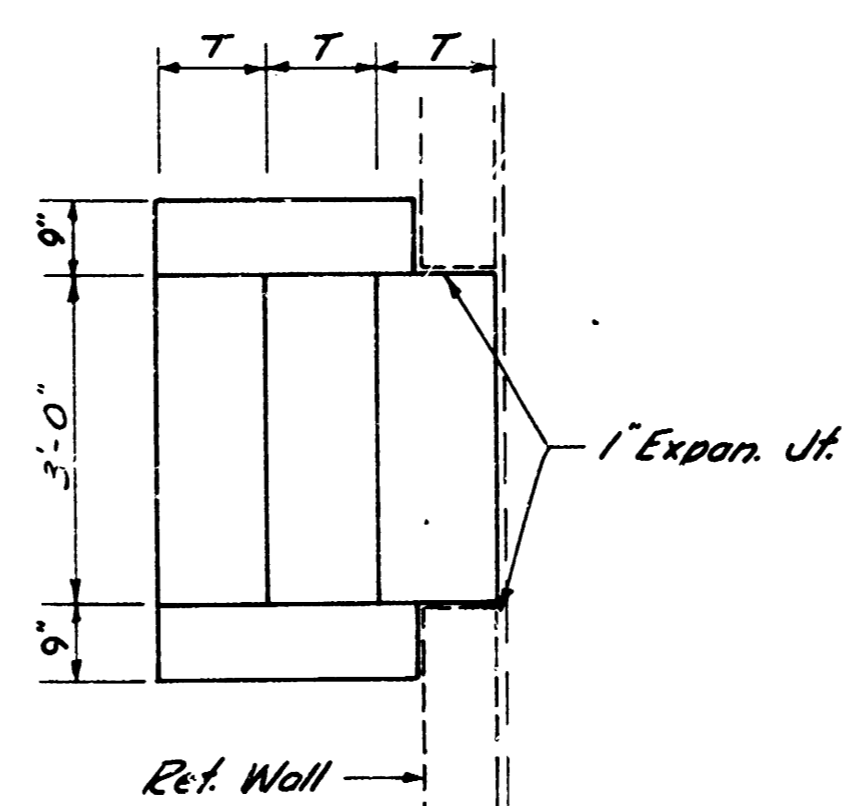
142 1/2" x 12" x 8" Brick, 1/2" Mortar
 143 1/2" x 12" x 8" Brick, 1/2" Mortar
 144 1/2" x 12" x 8" Brick, 1/2" Mortar
 145 1/2" x 12" x 8" Brick, 1/2" Mortar
 146 1/2" x 12" x 8" Brick, 1/2" Mortar
 147 1/2" x 12" x 8" Brick, 1/2" Mortar
 148 1/2" x 12" x 8" Brick, 1/2" Mortar
 149 1/2" x 12" x 8" Brick, 1/2" Mortar
 150 1/2" x 12" x 8" Brick, 1/2" Mortar
 151 1/2" x 12" x 8" Brick, 1/2" Mortar
 152 1/2" x 12" x 8" Brick, 1/2" Mortar
 153 1/2" x 12" x 8" Brick, 1/2" Mortar
 154 1/2" x 12" x 8" Brick, 1/2" Mortar
 155 1/2" x 12" x 8" Brick, 1/2" Mortar
 156 1/2" x 12" x 8" Brick, 1/2" Mortar
 157 1/2" x 12" x 8" Brick, 1/2" Mortar
 158 1/2" x 12" x 8" Brick, 1/2" Mortar
 159 1/2" x 12" x 8" Brick, 1/2" Mortar
 160 1/2" x 12" x 8" Brick, 1/2" Mortar
 161 1/2" x 12" x 8" Brick, 1/2" Mortar
 162 1/2" x 12" x 8" Brick, 1/2" Mortar
 163 1/2" x 12" x 8" Brick, 1/2" Mortar
 164 1/2" x 12" x 8" Brick, 1/2" Mortar
 165 1/2" x 12" x 8" Brick, 1/2" Mortar
 166 1/2" x 12" x 8" Brick, 1/2" Mortar
 167 1/2" x 12" x 8" Brick, 1/2" Mortar
 168 1/2" x 12" x 8" Brick, 1/2" Mortar
 169 1/2" x 12" x 8" Brick, 1/2" Mortar
 170 1/2" x 12" x 8" Brick, 1/2" Mortar
 171 1/2" x 12" x 8" Brick, 1/2" Mortar
 172 1/2" x 12" x 8" Brick, 1/2" Mortar
 173 1/2" x 12" x 8" Brick, 1/2" Mortar
 174 1/2" x 12" x 8" Brick, 1/2" Mortar
 175 1/2" x 12" x 8" Brick, 1/2" Mortar
 176 1/2" x 12" x 8" Brick, 1/2" Mortar
 177 1/2" x 12" x 8" Brick, 1/2" Mortar
 178 1/2" x 12" x 8" Brick, 1/2" Mortar
 179 1/2" x 12" x 8" Brick, 1/2" Mortar
 180 1/2" x 12" x 8" Brick, 1/2" Mortar
 181 1/2" x 12" x 8" Brick, 1/2" Mortar
 182 1/2" x 12" x 8" Brick, 1/2" Mortar
 183 1/2" x 12" x 8" Brick, 1/2" Mortar
 184 1/2" x 12" x 8" Brick, 1/2" Mortar
 185 1/2" x 12" x 8" Brick, 1/2" Mortar
 186 1/2" x 12" x 8" Brick, 1/2" Mortar
 187 1/2" x 12" x 8" Brick, 1/2" Mortar
 188 1/2" x 12" x 8" Brick, 1/2" Mortar
 189 1/2" x 12" x 8" Brick, 1/2" Mortar
 190 1/2" x 12" x 8" Brick, 1/2" Mortar
 191 1/2" x 12" x 8" Brick, 1/2" Mortar
 192 1/2" x 12" x 8" Brick, 1/2" Mortar
 193 1/2" x 12" x 8" Brick, 1/2" Mortar
 194 1/2" x 12" x 8" Brick, 1/2" Mortar
 195 1/2" x 12" x 8" Brick, 1/2" Mortar
 196 1/2" x 12" x 8" Brick, 1/2" Mortar
 197 1/2" x 12" x 8" Brick, 1/2" Mortar
 198 1/2" x 12" x 8" Brick, 1/2" Mortar
 199 1/2" x 12" x 8" Brick, 1/2" Mortar
 200 1/2" x 12" x 8" Brick, 1/2" Mortar

201 1/2" x 12" x 8" Brick, 1/2" Mortar
 202 1/2" x 12" x 8" Brick, 1/2" Mortar
 203 1/2" x 12" x 8" Brick, 1/2" Mortar
 204 1/2" x 12" x 8" Brick, 1/2" Mortar
 205 1/2" x 12" x 8" Brick, 1/2" Mortar
 206 1/2" x 12" x 8" Brick, 1/2" Mortar
 207 1/2" x 12" x 8" Brick, 1/2" Mortar
 208 1/2" x 12" x 8" Brick, 1/2" Mortar
 209 1/2" x 12" x 8" Brick, 1/2" Mortar
 210 1/2" x 12" x 8" Brick, 1/2" Mortar
 211 1/2" x 12" x 8" Brick, 1/2" Mortar
 212 1/2" x 12" x 8" Brick, 1/2" Mortar
 213 1/2" x 12" x 8" Brick, 1/2" Mortar
 214 1/2" x 12" x 8" Brick, 1/2" Mortar
 215 1/2" x 12" x 8" Brick, 1/2" Mortar
 216 1/2" x 12" x 8" Brick, 1/2" Mortar
 217 1/2" x 12" x 8" Brick, 1/2" Mortar
 218 1/2" x 12" x 8" Brick, 1/2" Mortar
 219 1/2" x 12" x 8" Brick, 1/2" Mortar
 220 1/2" x 12" x 8" Brick, 1/2" Mortar
 221 1/2" x 12" x 8" Brick, 1/2" Mortar
 222 1/2" x 12" x 8" Brick, 1/2" Mortar
 223 1/2" x 12" x 8" Brick, 1/2" Mortar
 224 1/2" x 12" x 8" Brick, 1/2" Mortar
 225 1/2" x 12" x 8" Brick, 1/2" Mortar
 226 1/2" x 12" x 8" Brick, 1/2" Mortar
 227 1/2" x 12" x 8" Brick, 1/2" Mortar
 228 1/2" x 12" x 8" Brick, 1/2" Mortar
 229 1/2" x 12" x 8" Brick, 1/2" Mortar
 230 1/2" x 12" x 8" Brick, 1/2" Mortar
 231 1/2" x 12" x 8" Brick, 1/2" Mortar
 232 1/2" x 12" x 8" Brick, 1/2" Mortar
 233 1/2" x 12" x 8" Brick, 1/2" Mortar
 234 1/2" x 12" x 8" Brick, 1/2" Mortar
 235 1/2" x 12" x 8" Brick, 1/2" Mortar
 236 1/2" x 12" x 8" Brick, 1/2" Mortar
 237 1/2" x 12" x 8" Brick, 1/2" Mortar
 238 1/2" x 12" x 8" Brick, 1/2" Mortar
 239 1/2" x 12" x 8" Brick, 1/2" Mortar
 240 1/2" x 12" x 8" Brick, 1/2" Mortar
 241 1/2" x 12" x 8" Brick, 1/2" Mortar
 242 1/2" x 12" x 8" Brick, 1/2" Mortar
 243 1/2" x 12" x 8" Brick, 1/2" Mortar
 244 1/2" x 12" x 8" Brick, 1/2" Mortar
 245 1/2" x 12" x 8" Brick, 1/2" Mortar
 246 1/2" x 12" x 8" Brick, 1/2" Mortar
 247 1/2" x 12" x 8" Brick, 1/2" Mortar
 248 1/2" x 12" x 8" Brick, 1/2" Mortar
 249 1/2" x 12" x 8" Brick, 1/2" Mortar
 250 1/2" x 12" x 8" Brick, 1/2" Mortar



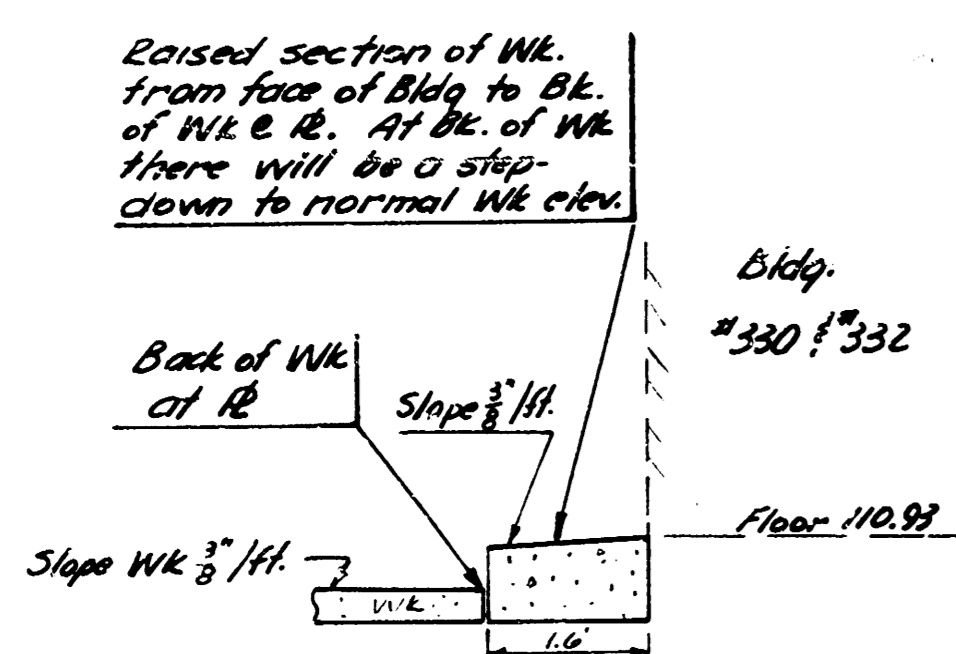
SECTION OF RETAINING WALL (COPING)

All ret. wall with ht. less than 1'-0" above Wk. elev. will extend below Wk. the same distance as the ht. of the wall above the Wk. Max. depth below Wk. will be 1'-0" and will include all ret. wall with ht. above Wk. of 1'-0" and greater.

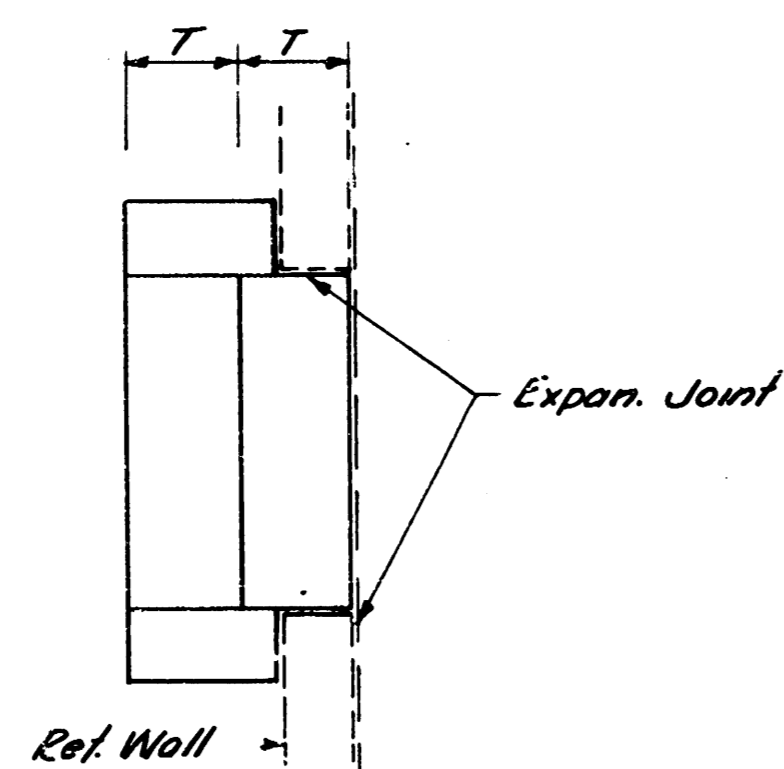


PLAN OF STEPS

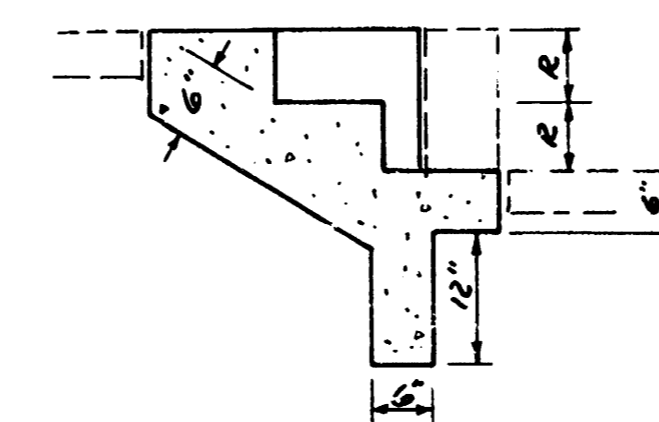
SUMMARY OF STEPS						
STATION	SIDE	TYPE	WIDTH	R	T	
7+42	ET	B ₁	3'-0"	2	4 1/8"	16 1/8"
7+63	ET	B ₁	3'-0"	2	5 1/8"	13 1/8"
7+98	ET	B ₁	3'-0"	1	10 1/8"	12"
8+18	ET	B ₁	3'-0"	2	6 1/8"	11 1/8"
10+57	ET	B ₁	3'-0"	2	6 1/8"	12 1/8"
10+98	ET	B ₁	3'-0"	2	7 1/8"	10 1/8"
12+37	ET	B ₁	3'-0"	2	4 1/8"	16 1/8"



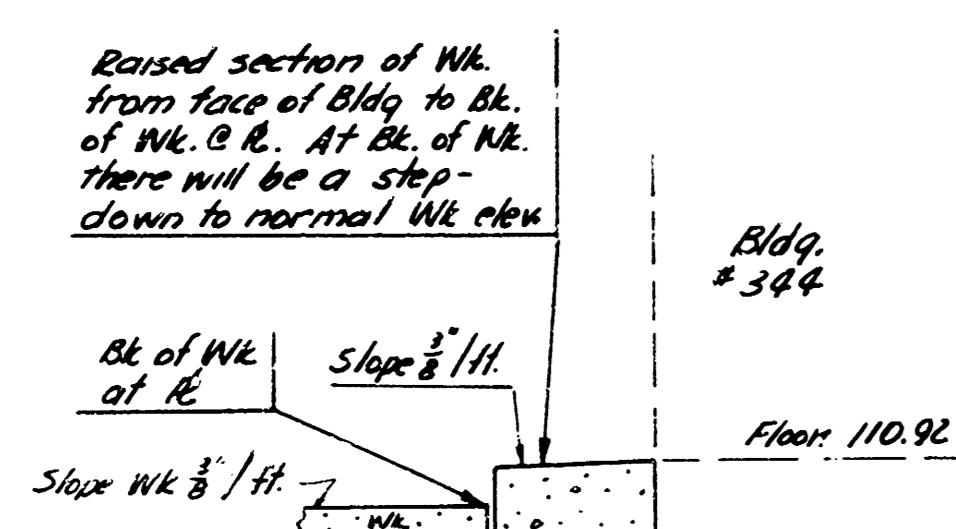
SECTION THRU WK. BLDG. #330 & #332 NO. WASH. STA. 10+00



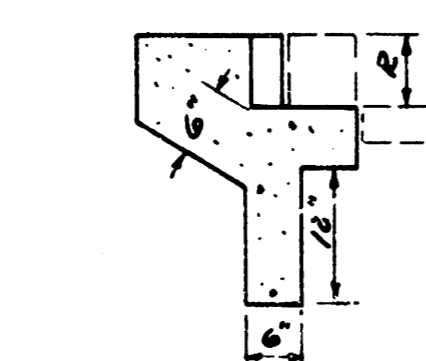
PLAN OF STEPS



SECTION OF STEPS



SECTION THRU WK. BLDG. #344 NO. WASH. STA. 11+50



SECTION OF STEPS

DETAIL OF TYPE B₁ STEPS 2 STEPS

DETAIL OF TYPE B₁ STEPS 1 STEP

DETAIL SHEET

WASHINGTON AVE
S.L. 1st To S.L. CENTRAL
Proj No C14-46 / C14-45

