

PLAN	DATE	BY
REVISION		
NO.		
DATE		
BY		
REVISION		
NO.		
DATE		
BY		

PROFILE	DATE	BY
REVISION		
NO.		
DATE		
BY		
REVISION		
NO.		
DATE		
BY		

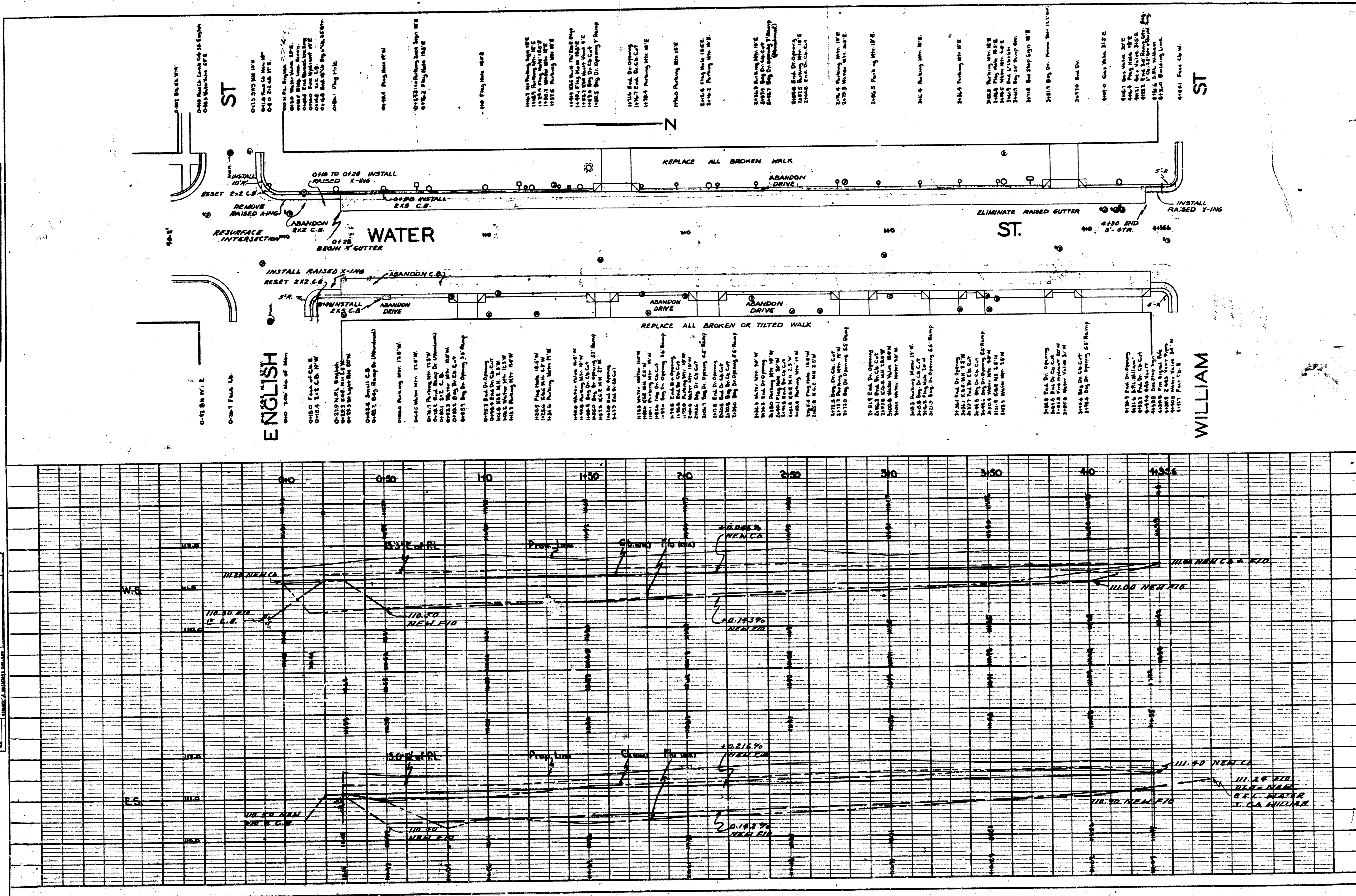
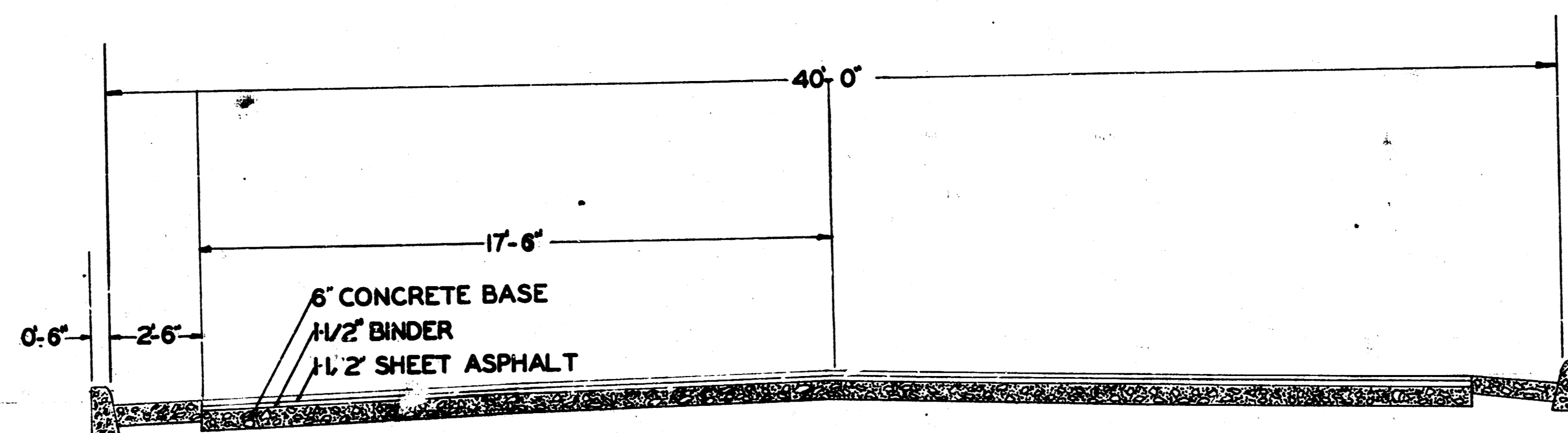
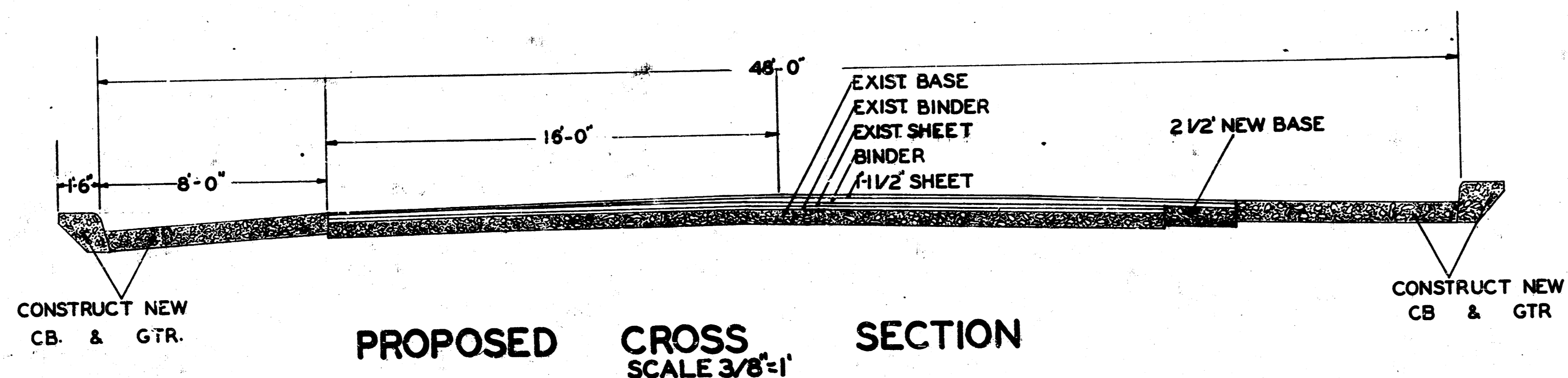


PLATE 1-PLAN-PROFILE OF ENGLISH ST. WATER ST. WILLIAM ST. THE FEDERAL TRUST CO. CHICAGO

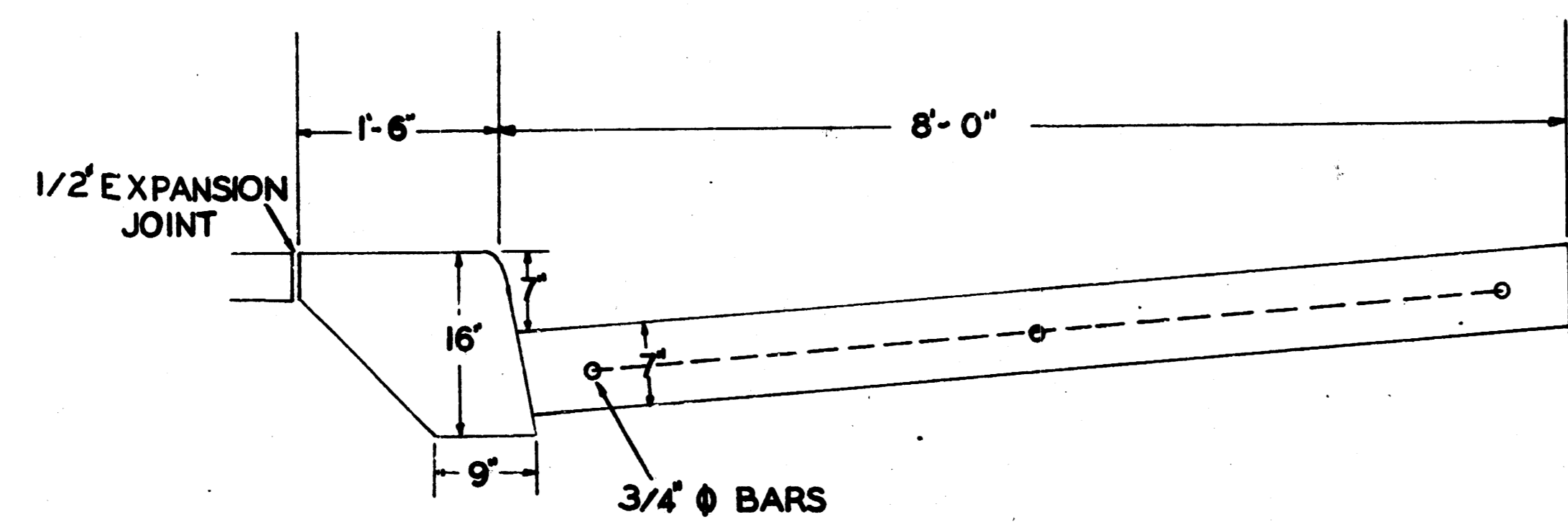
WATER ST
S.L. ENGLISH - S.L. WILLIAM
1947



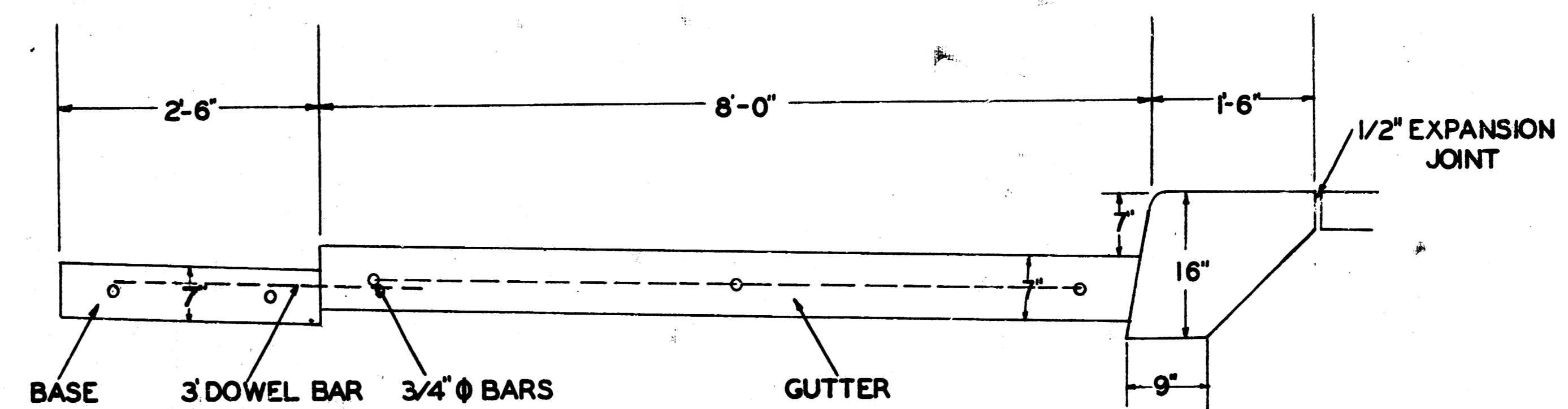
EXISTING CROSS SECTION
SCALE 3/8"=1'



PROPOSED CROSS SECTION
SCALE 3/8"=1'

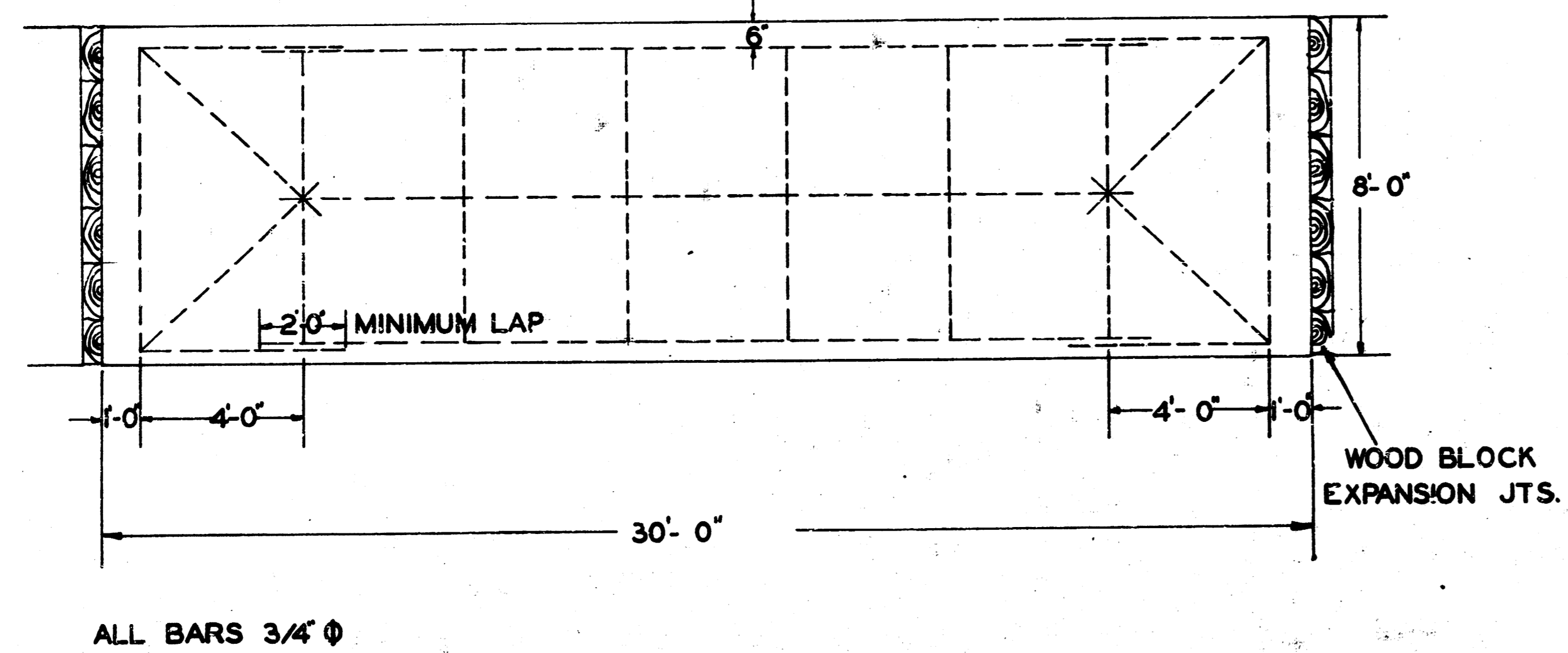


DETAILS OF CB & GUTTER
WEST SIDE



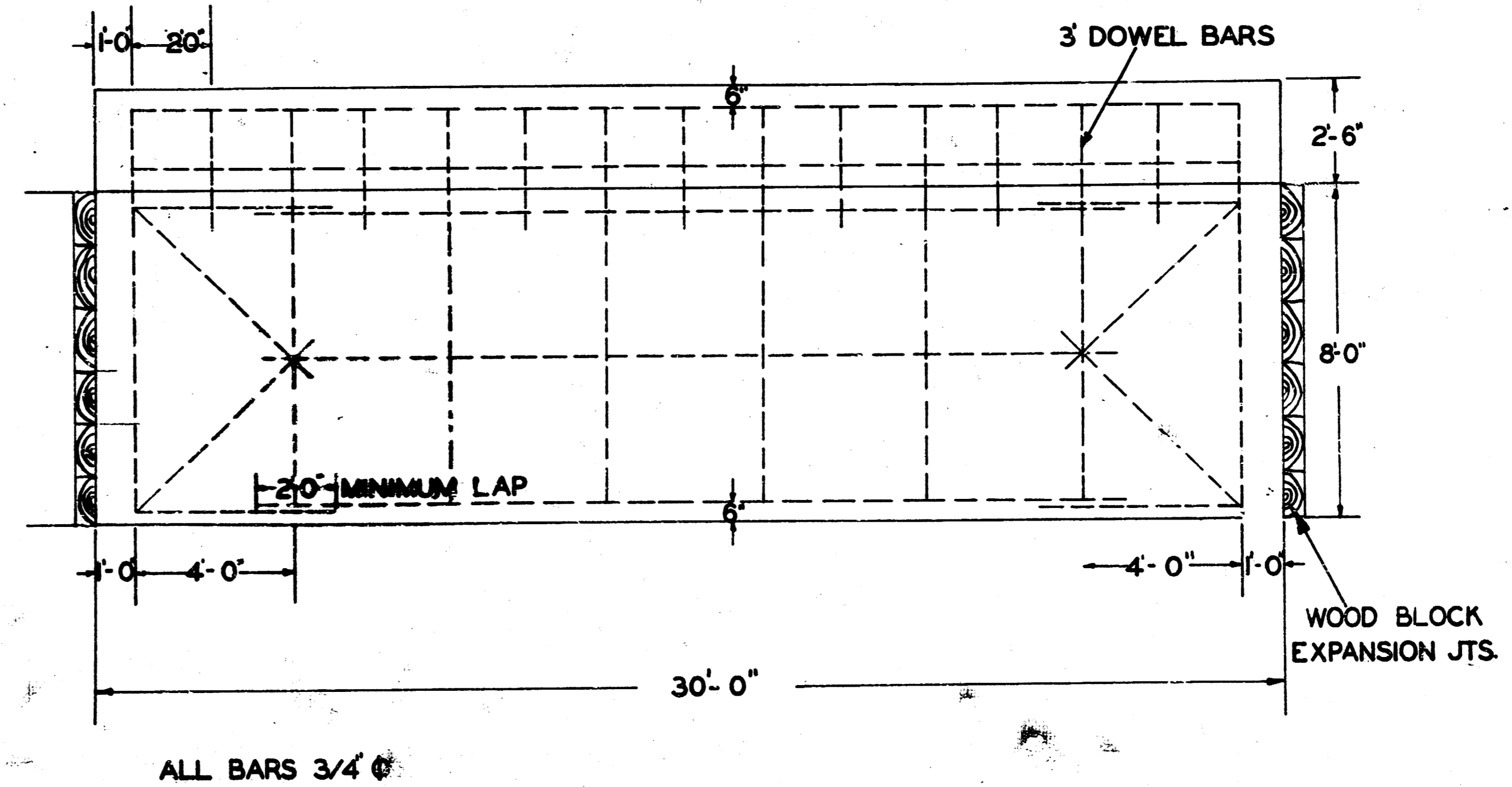
DETAILS OF CB, GTR. & BASE
EAST SIDE

SCALE 1"=1'



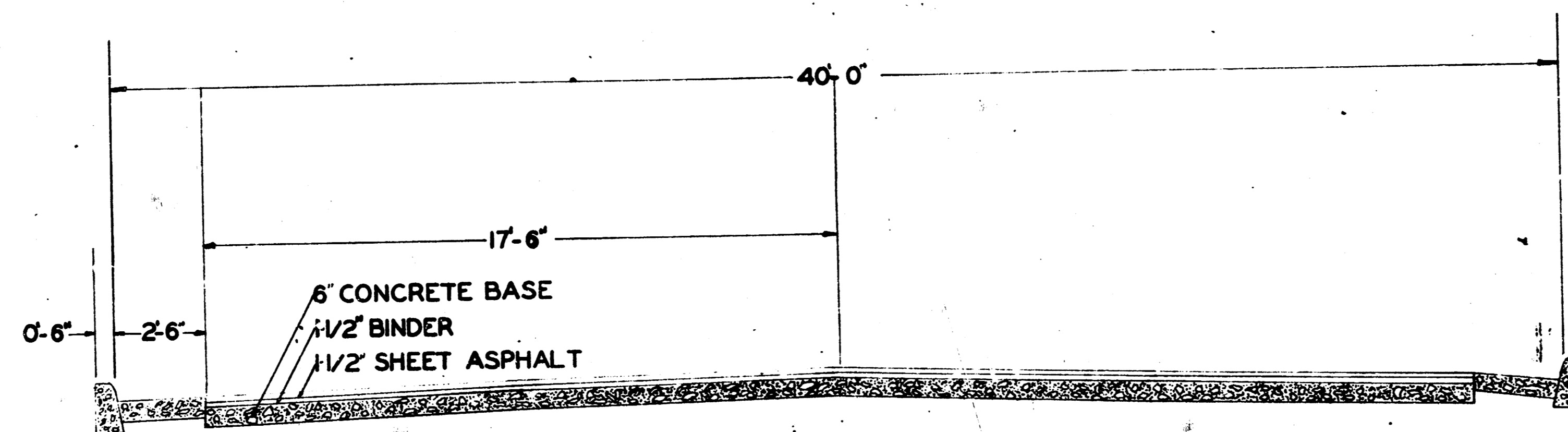
ALL BARS 3/4" Ø

SCALE 3/8"=1'

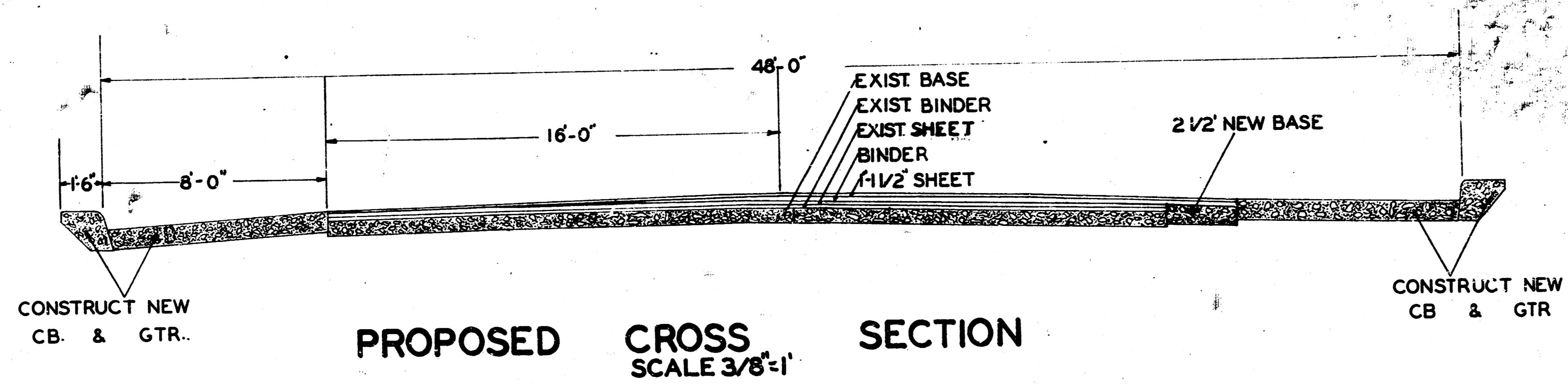


ALL BARS 3/4" Ø

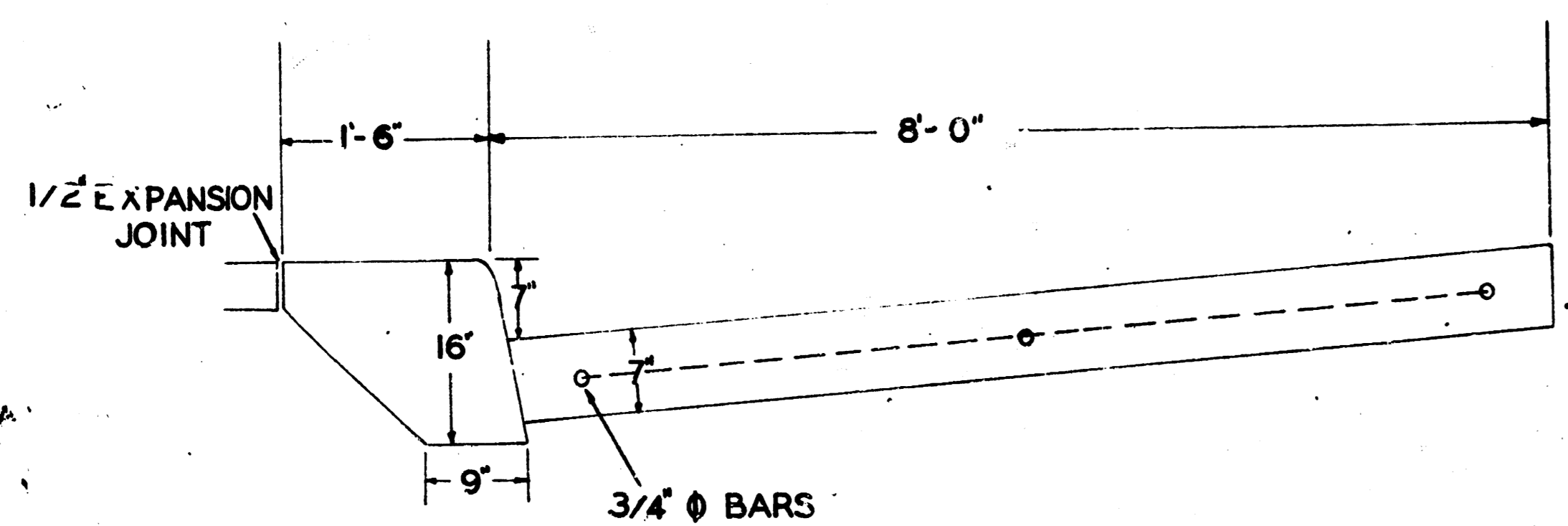
WATER ST
S.L. ENGLISH - S.L. WILLIAM
1947



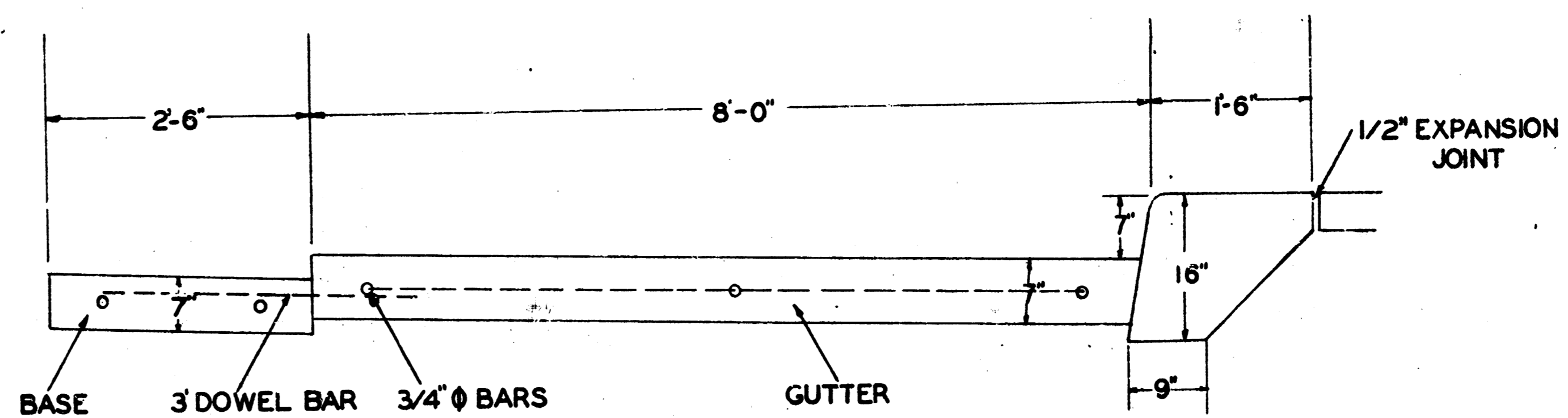
EXISTING CROSS SECTION
SCALE 3/8"=1'



PROPOSED CROSS SECTION
SCALE 3/8"=1'

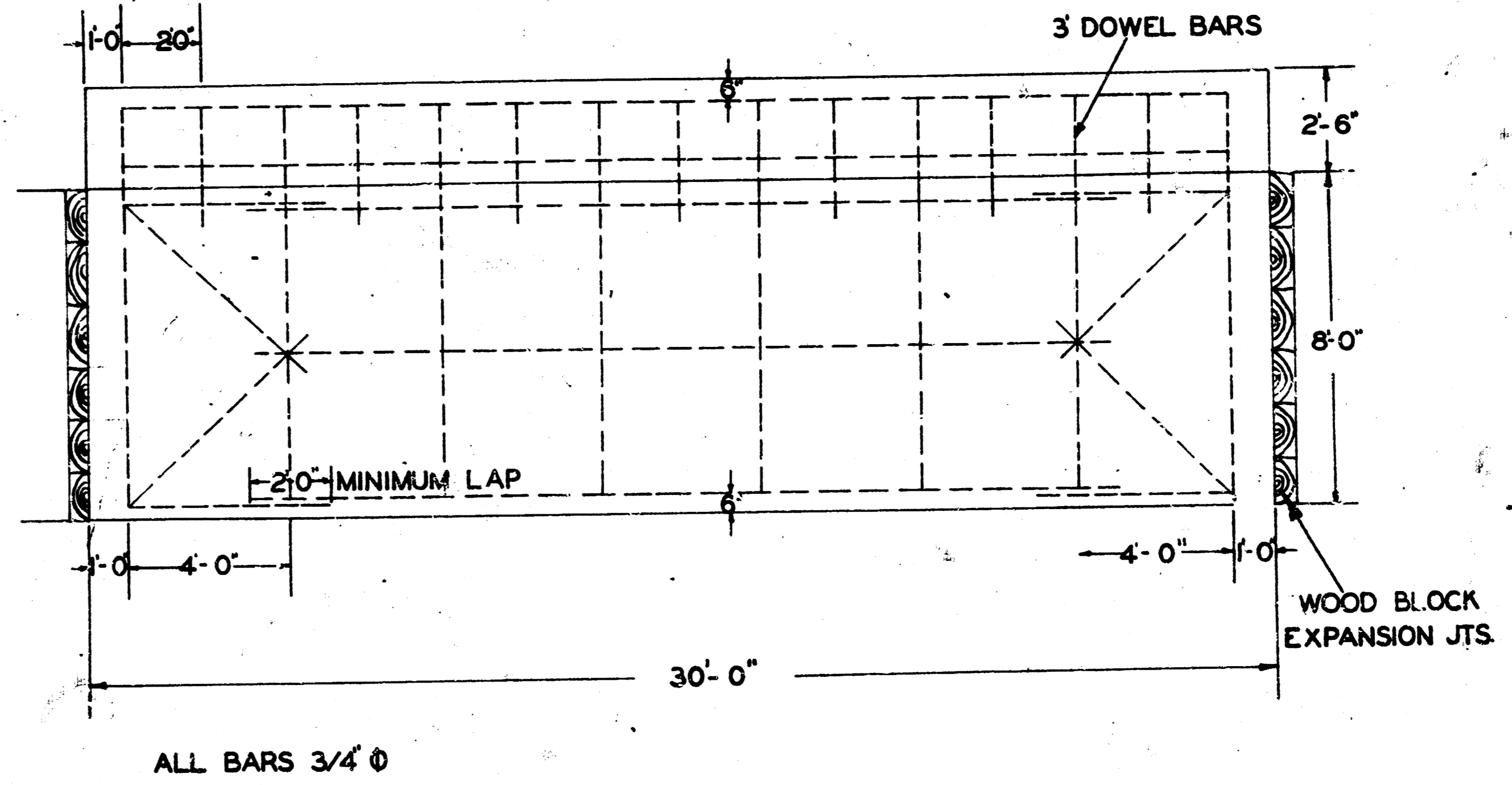
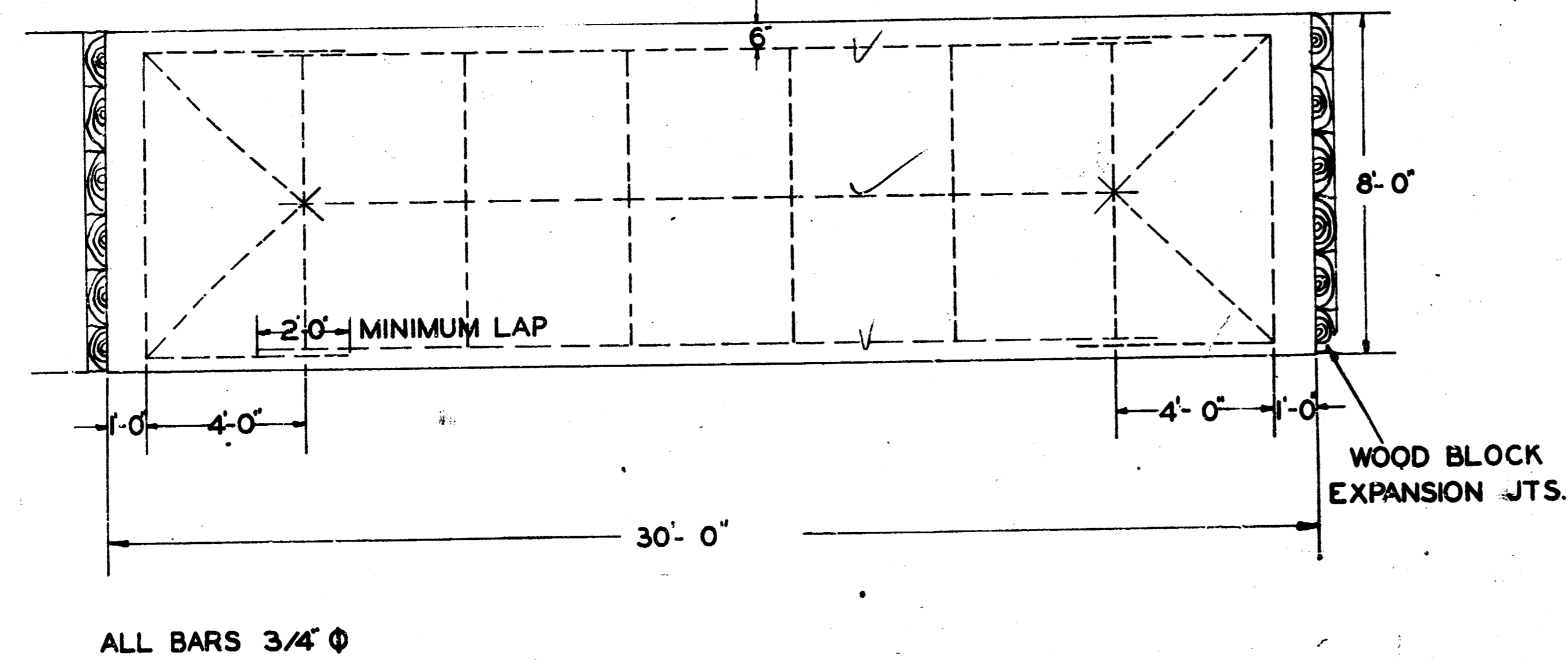


DETAILS OF CB. & GUTTER
WEST SIDE



DETAILS OF CB, GTR. & BASE
EAST SIDE

SCALE 1" = 1'



SCALE 3/8" = 1'