

CITY OF WICHITA, KANSAS

PLANS FOR

SIX TENNIS COURTS

IN RIVERSIDE PARK

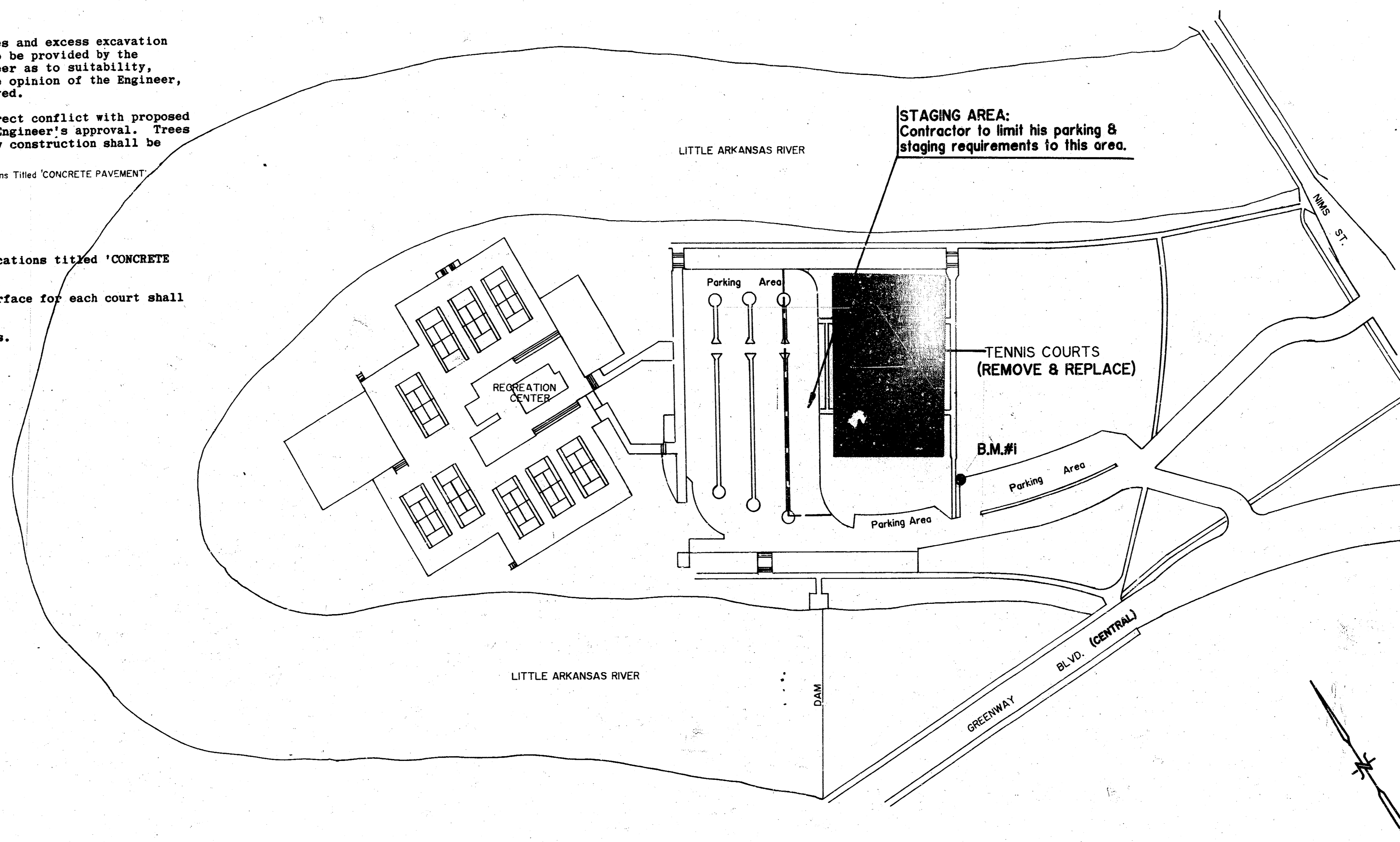
GENERAL NOTES:

PROJECT NO. : 455-26-220-80152-000-000-087

1. Rubble from the removal of miscellaneous structures and excess excavation which is to be wasted shall be disposed of on sites to be provided by the Contractor. The sites shall be approved by the Engineer as to suitability, appearance, and site location. Locations that, in the opinion of the Engineer, will leave an unsightly appearance shall not be approved.
2. Trees and shrubs in the work area which are in direct conflict with proposed construction shall be removed by the Contractor with Engineer's approval. Trees and shrubs which are not in conflict with proposed new construction shall be saved and protected from damage.
3. PREPARATION OF SUBGRADE: As per City of Wichita, Kansas Standard Specifications Titled 'CONCRETE PAVEMENT'
4. BORROW (Contractor Furnished): See Specifications.
5. CONCRETE: As per City of Wichita, Kansas Specifications titled 'CONCRETE PAVEMENT' and supplemental specifications.
6. SLOPE REQUIREMENTS: The finished tennis court surface for each court shall slope in a true plane as indicated on drawings.
7. SURFACE COLORING: See supplemental specifications.
8. See Electrical notes on sheet 4.

INDEX

SHEET	TITLE
1	
2	SITE PLAN
3	PLAN & DETAILS
4	ELECTRICAL PLAN & DETAILS



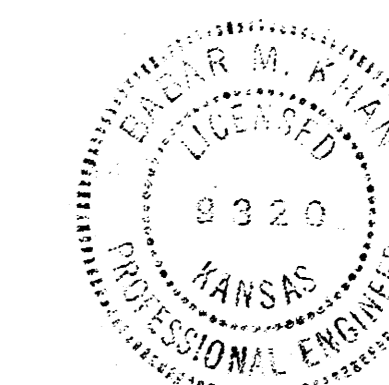
LOCATION MAP

SCALE : 1"=400'

BENCH MARK :

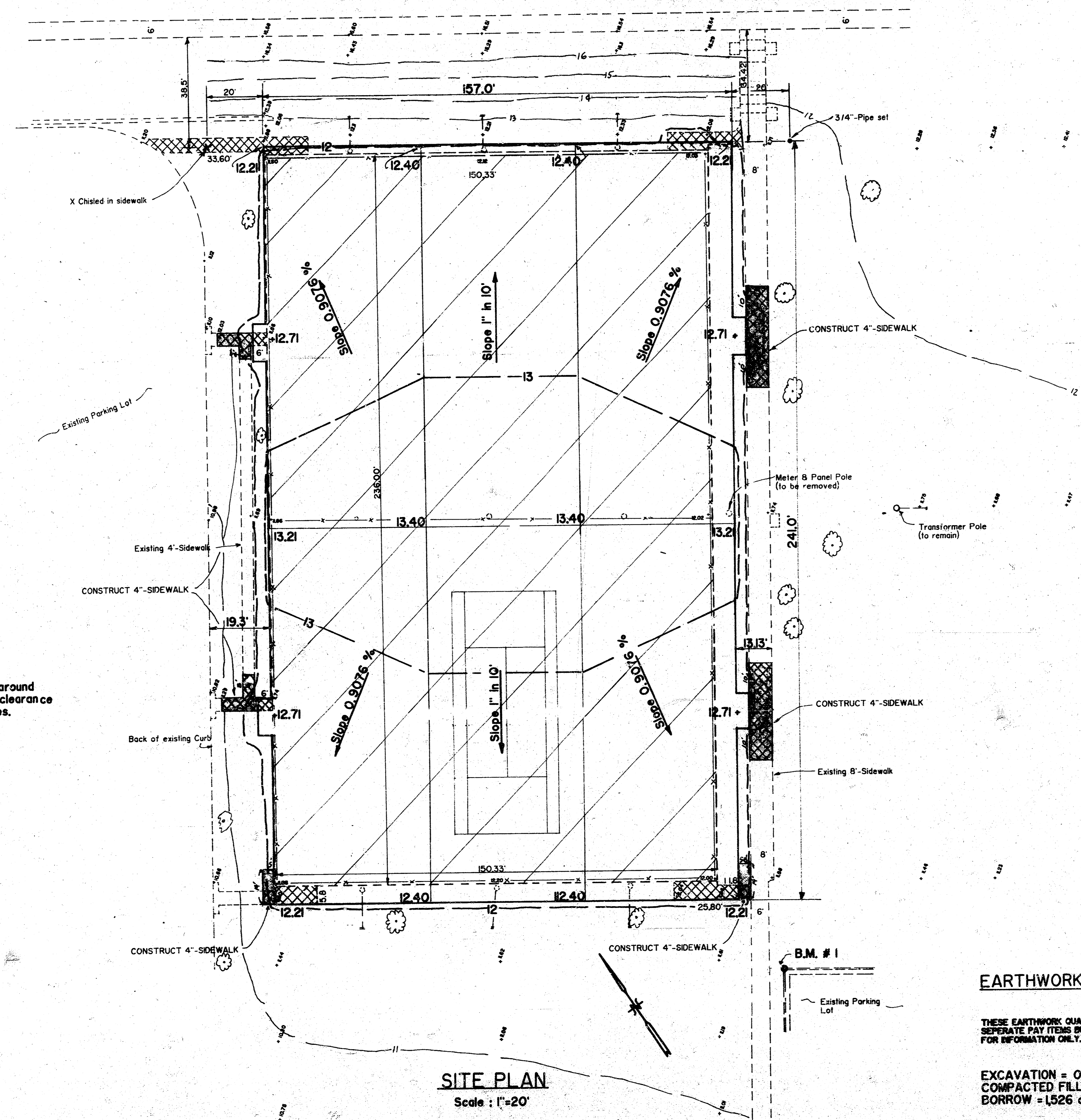
□ CUT ON TOP OF CURB ;
 EL.= 111.26
 27' South & 22' East of
 southeast corner of existing
 tennis courts. At northwest
 corner of parking area.

MICHAEL E. LINDEBAK, P.E., CITY ENGINEER



SCALE:	APPROVED BY:	DRAWN BY:
DATE: 6-87	REVISION:	
DRAWING NUMBER		1 OF 4

MUNICIPAL ENGINEERS
 Civil Engineers & Land Surveyors
 204 East, Suite 201
 Wichita, Kansas 67211



NOTE: Contractor to trim trees around tennis courts in order to provide clearance for chain-link fence & light fixtures. (not a separate pay item)

SITE PLAN
Scale: 1"=20'

DEMOLITION ITEMS :

THE CONTRACTOR SHALL REMOVE ALL ITEMS NECESSARY FOR CONSTRUCTION OF NEW TENNIS COURTS BY A MANNER APPROVED BY THE ENGINEER. ALL ITEMS REMOVED SHALL BECOME PROPERTY OF THE CONTRACTOR.

THESE ITEMS ARE NOT SEPARATE PAY ITEMS BUT ARE LISTED FOR INFORMATION ONLY.

CONCRETE GRADE EXAM AROUND EXISTING TENNIS COURTS.

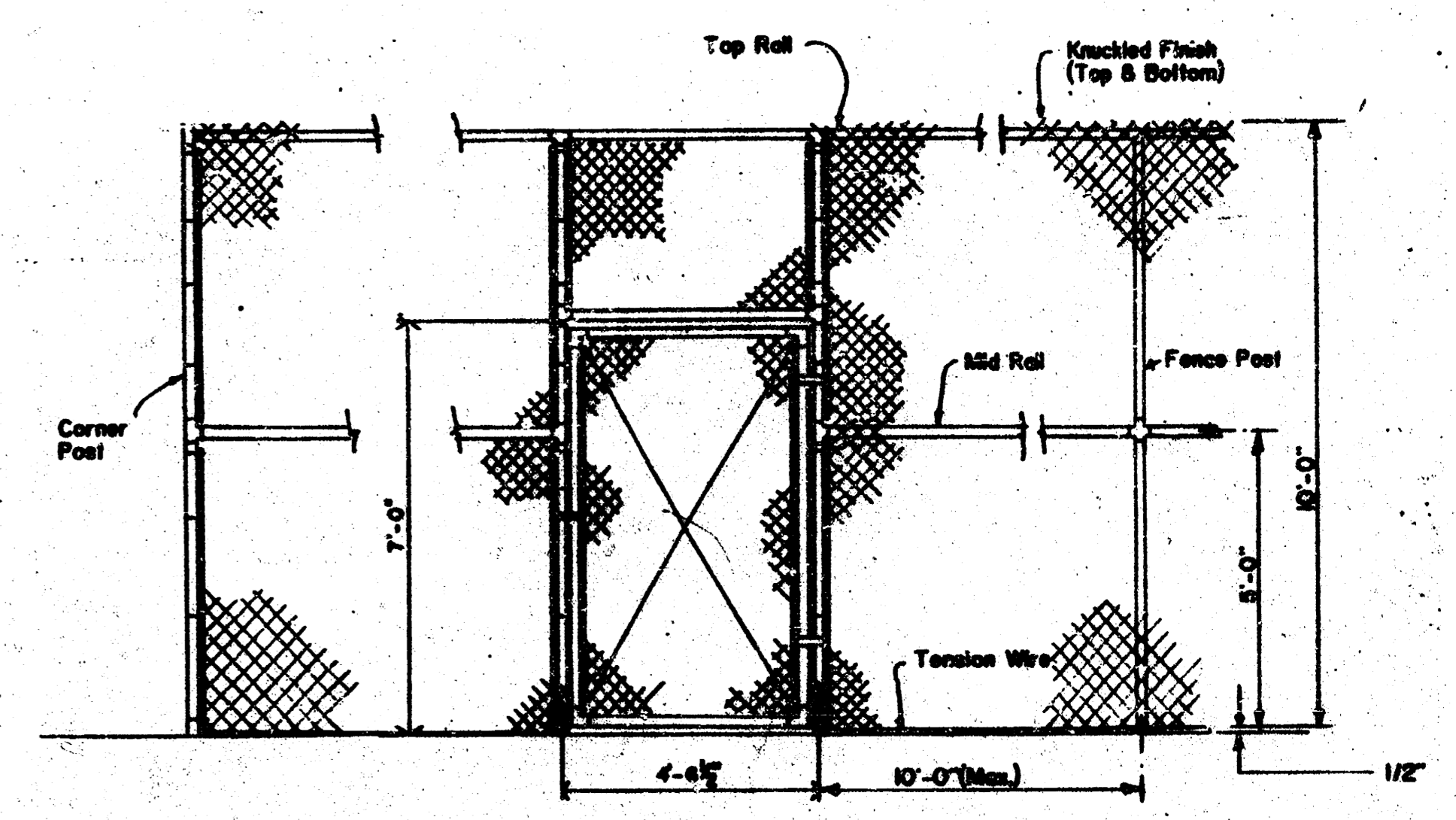
ASPHALTIC CONCRETE PAVEMENT OF EXISTING TENNIS COURTS

EXISTING TENNIS COURT FENCE

EXISTING NET POSTS

EXISTING ELECTRICAL SYSTEM INCLUDING POLES (WITH FOOTINGS) WIRES, CON METERS & CONDUIT

SIDEWALK AS SHOWN ON SITE PLAN



ELEVATION A-A
NO SCALE

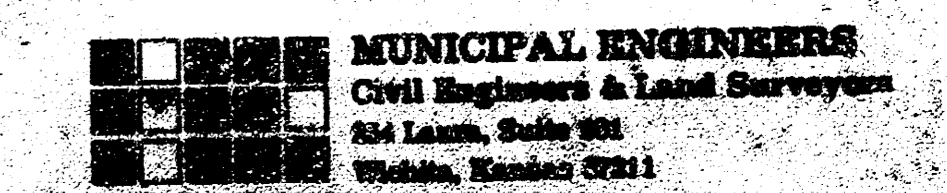
LEGEND :

- 12.21 Existing Elevation
- 12.21 Proposed Finished Elevation
- 13 Existing Contours
- 13 Proposed Finished Contours
- Bench Mark
- Existing Trees
- Existing Tennis Court Fence (to be removed)
- Existing Light Poles (to be removed)
- Existing Tennis Court Pavement (to be removed)
- Existing Sidewalk (to be removed)
- Construct 4"-Conc. Sidewalk

EARTHWORK :

THESE EARTHWORK QUANTITIES ARE NOT SEPARATE PAY ITEMS BUT ARE LISTED FOR INFORMATION ONLY.

EXCAVATION = 0 c.y.
COMPACTED FILL(95%) = 156 c.y.
BORROW = 1526 c.y.

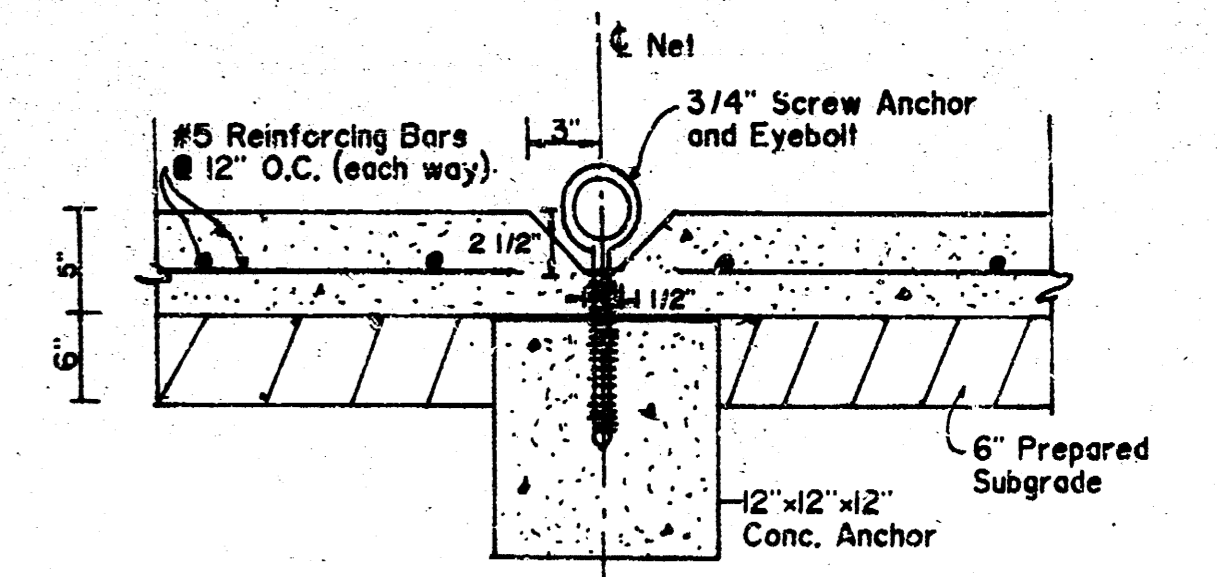
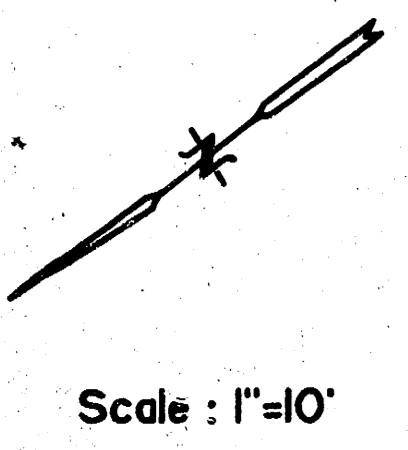
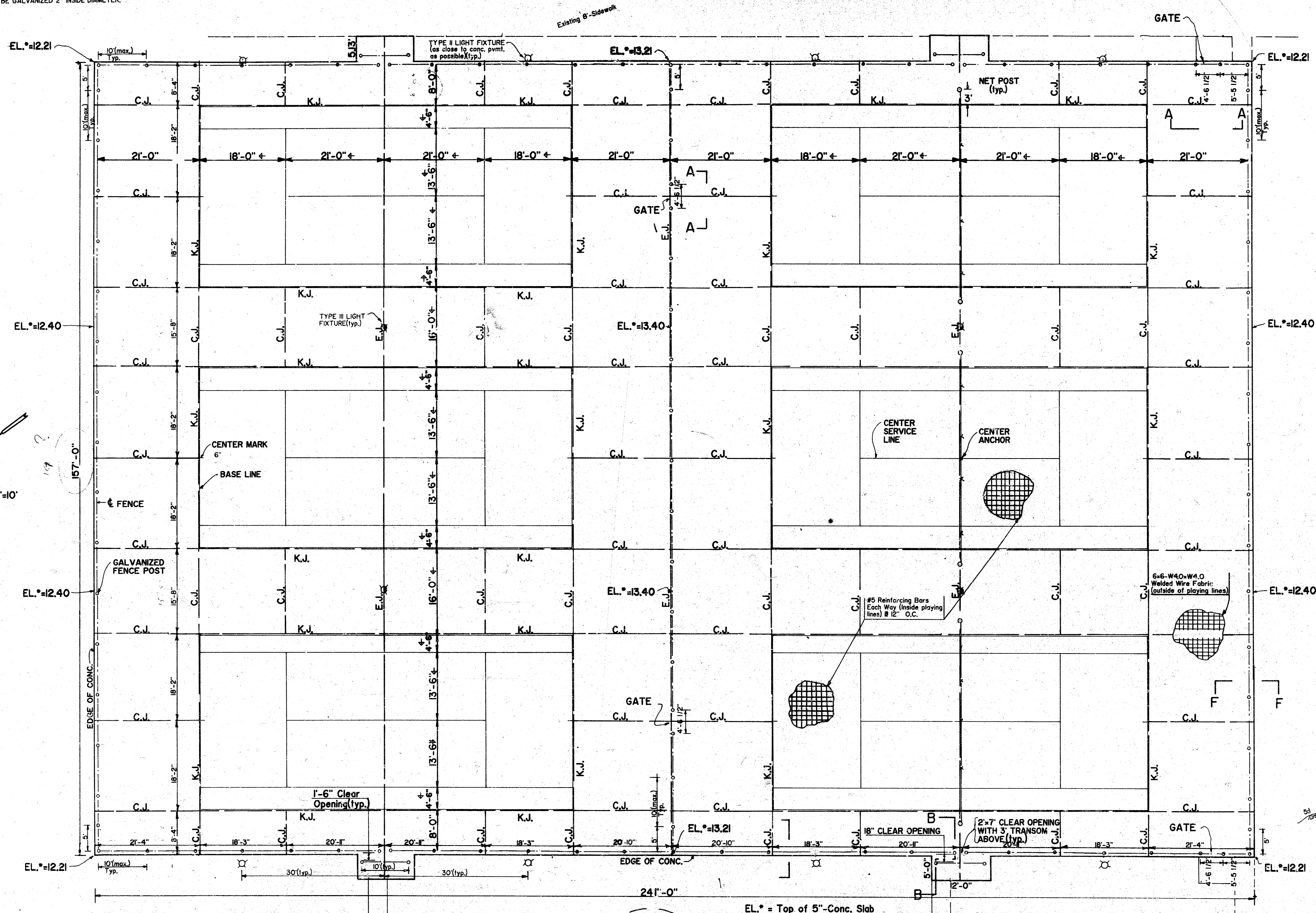


Tennis Courts in Riverside Park		
SCALE: As Shown	APPROVED BY:	DRAWN BY:
DATE: 5-87		REVISED:
City of Wichita, Kansas		
455-26-220-80152-000-000-08Z	DRAWING NUMBER	2 OF 4

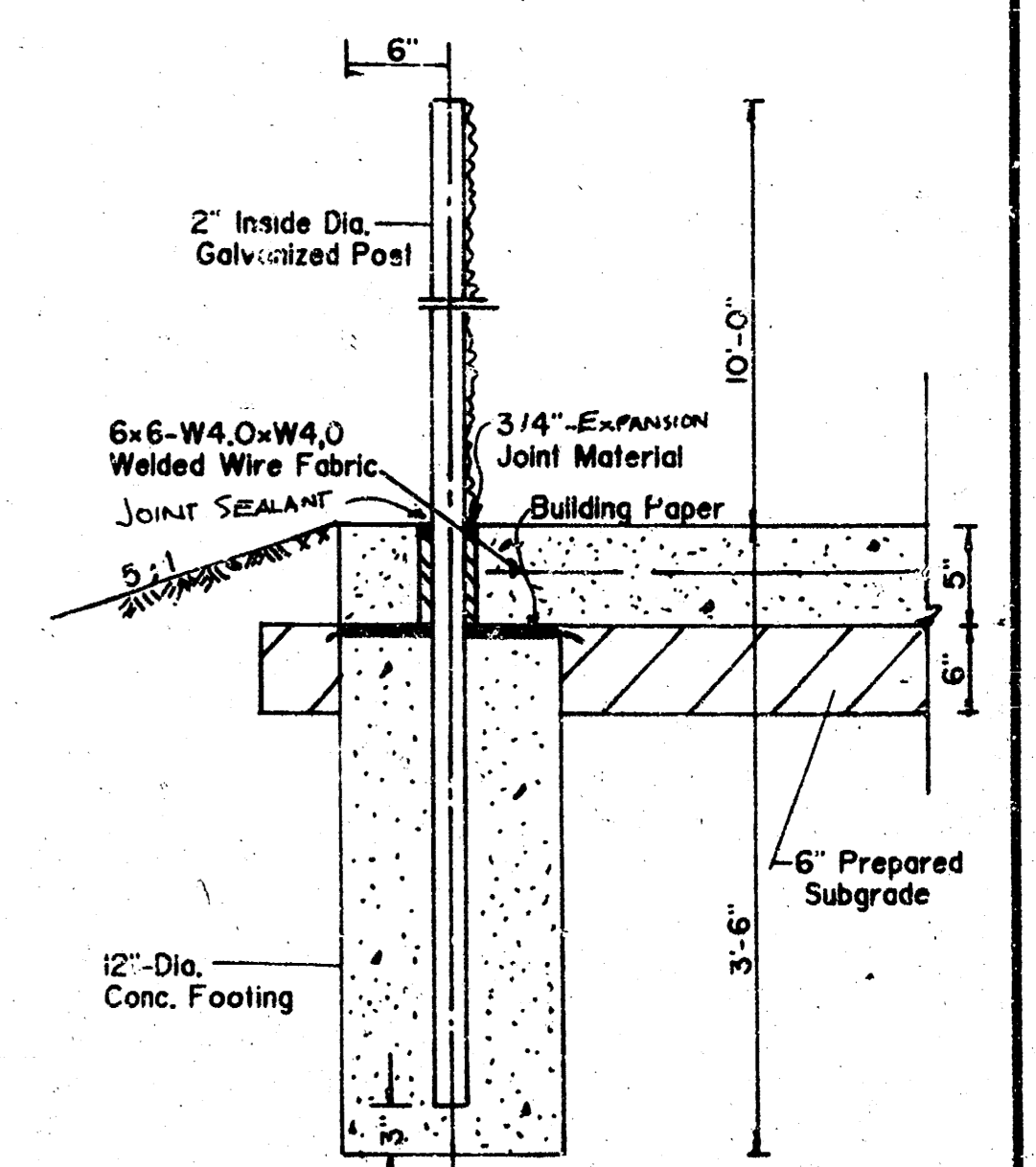
NOTES :

1. INBOUND PLAYING AREA TO BE GREEN, REMAINDER OF COURTS TO BE RED (see spec.)
2. DIMENSIONS OF PAINTED LINES ARE FROM OUTSIDE TO OUTSIDE EXCEPT FOR CENTER LINE (MARKED BY SYMBOL ↕)
3. ALL CORNER OR TERMINAL POSTS OF FENCE SHALL BE GALVANIZED 2 1/2" INSIDE DIAMETER, REMAINING POSTS TO BE GALVANIZED 2" INSIDE DIAMETER.

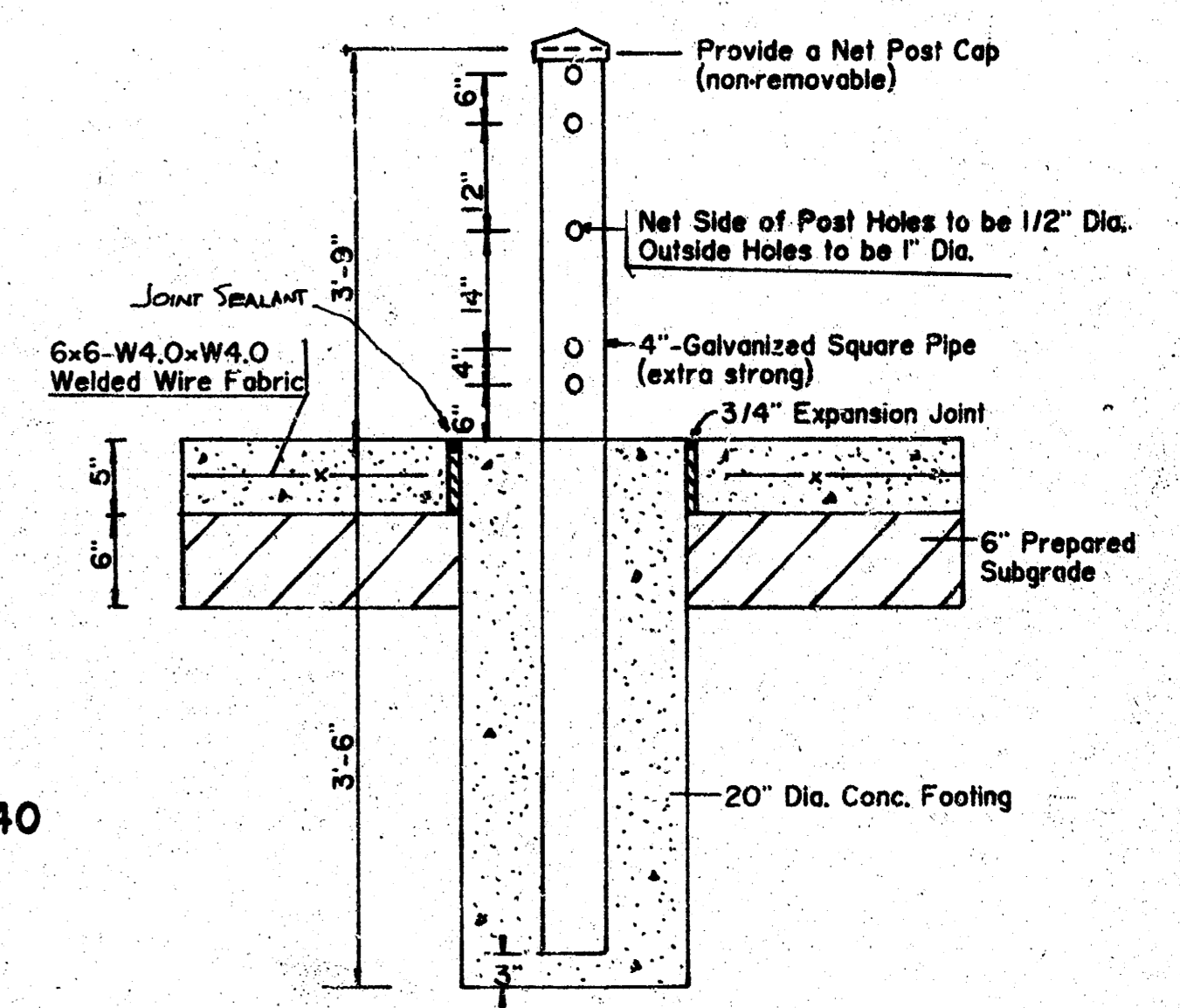
NOTE : SEE ELEVATION A-A ON SHEET 2.



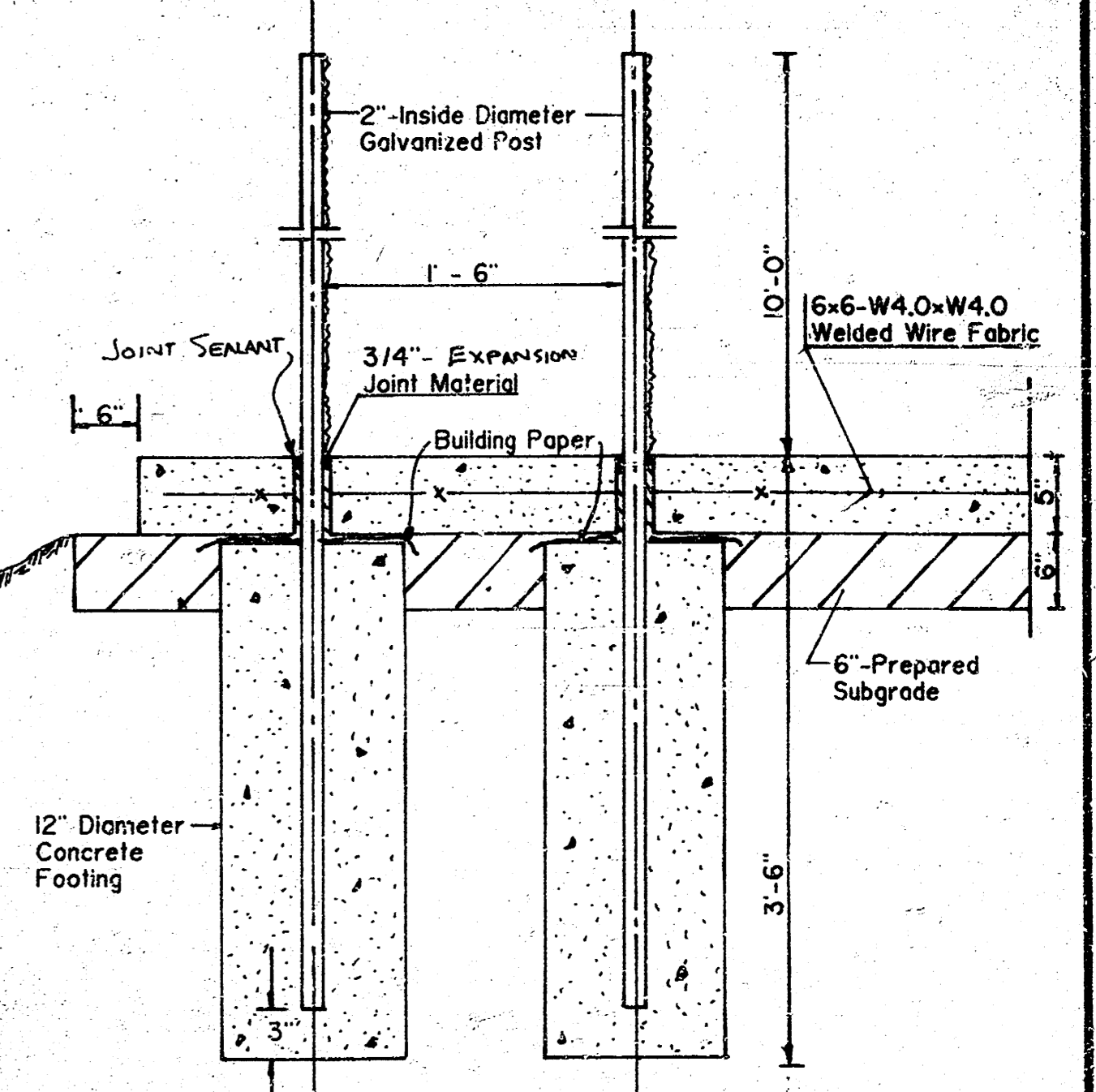
CONC. ANCHOR DETAIL



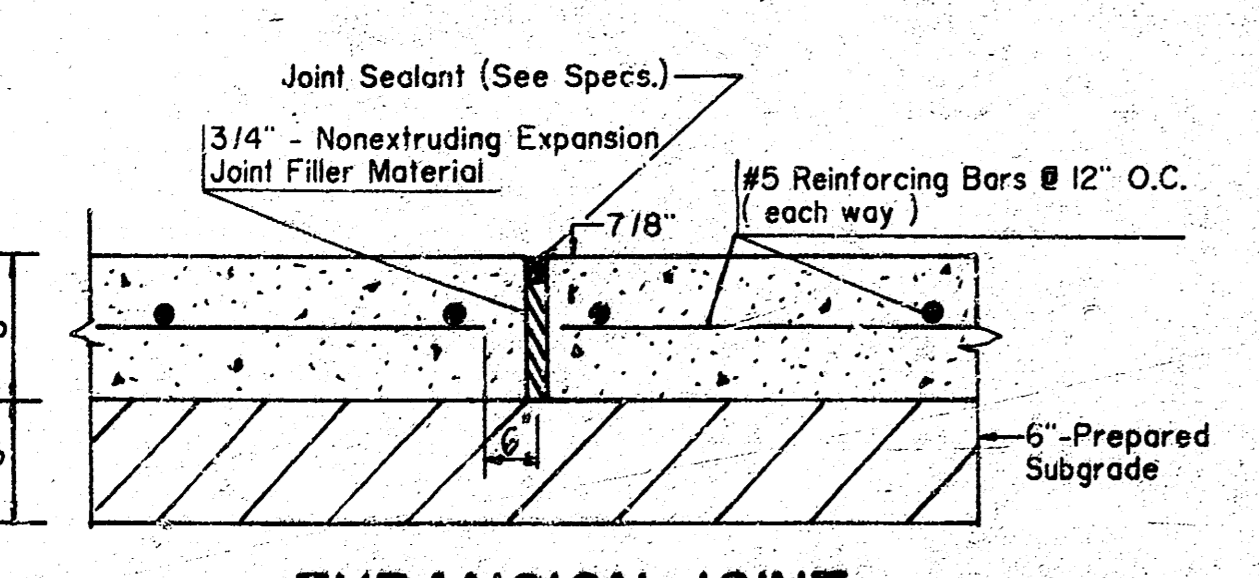
FENCE POST DETAIL SECTION F-F



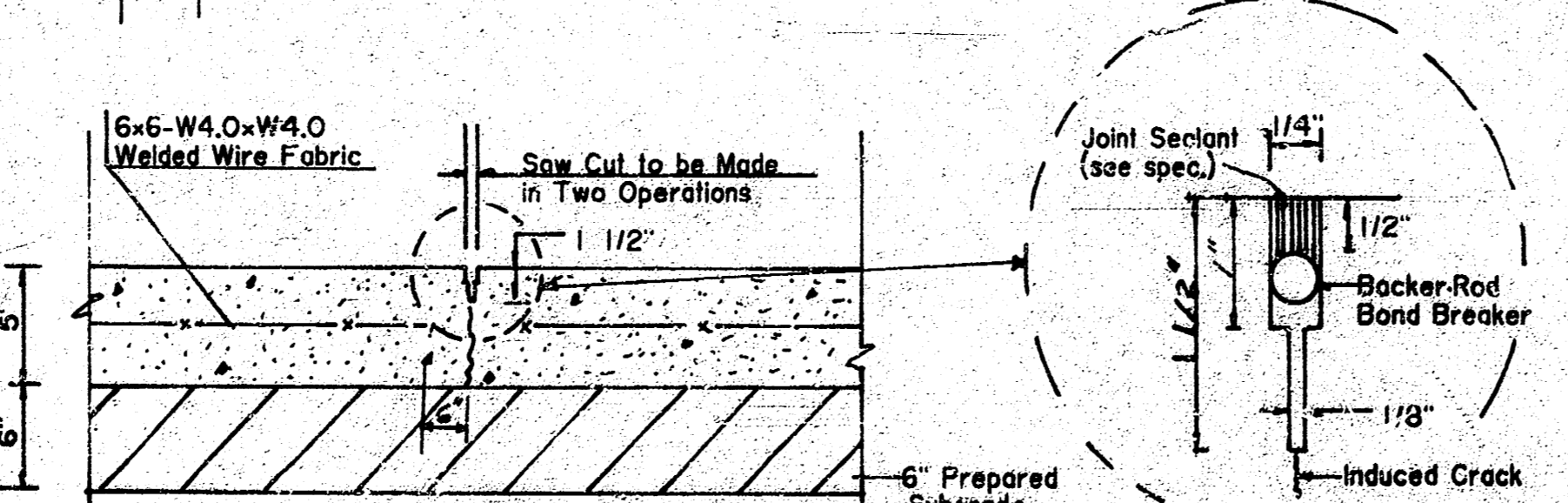
NET POST DETAIL



SECTION B-B

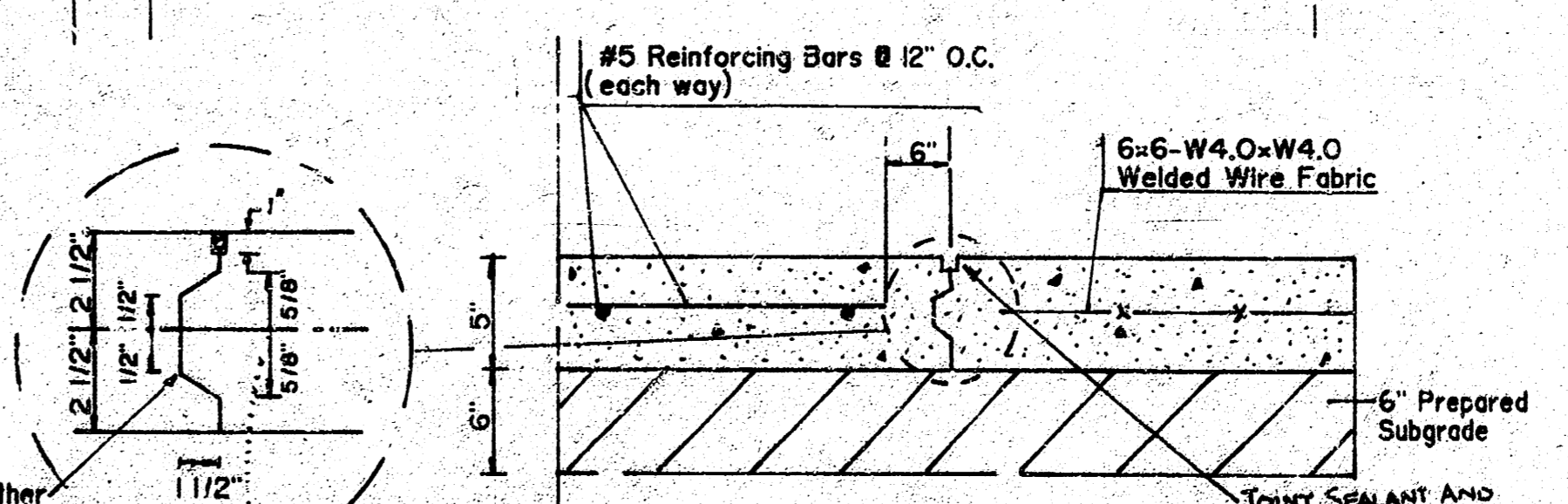


EXPANSION JOINT (E.J.)



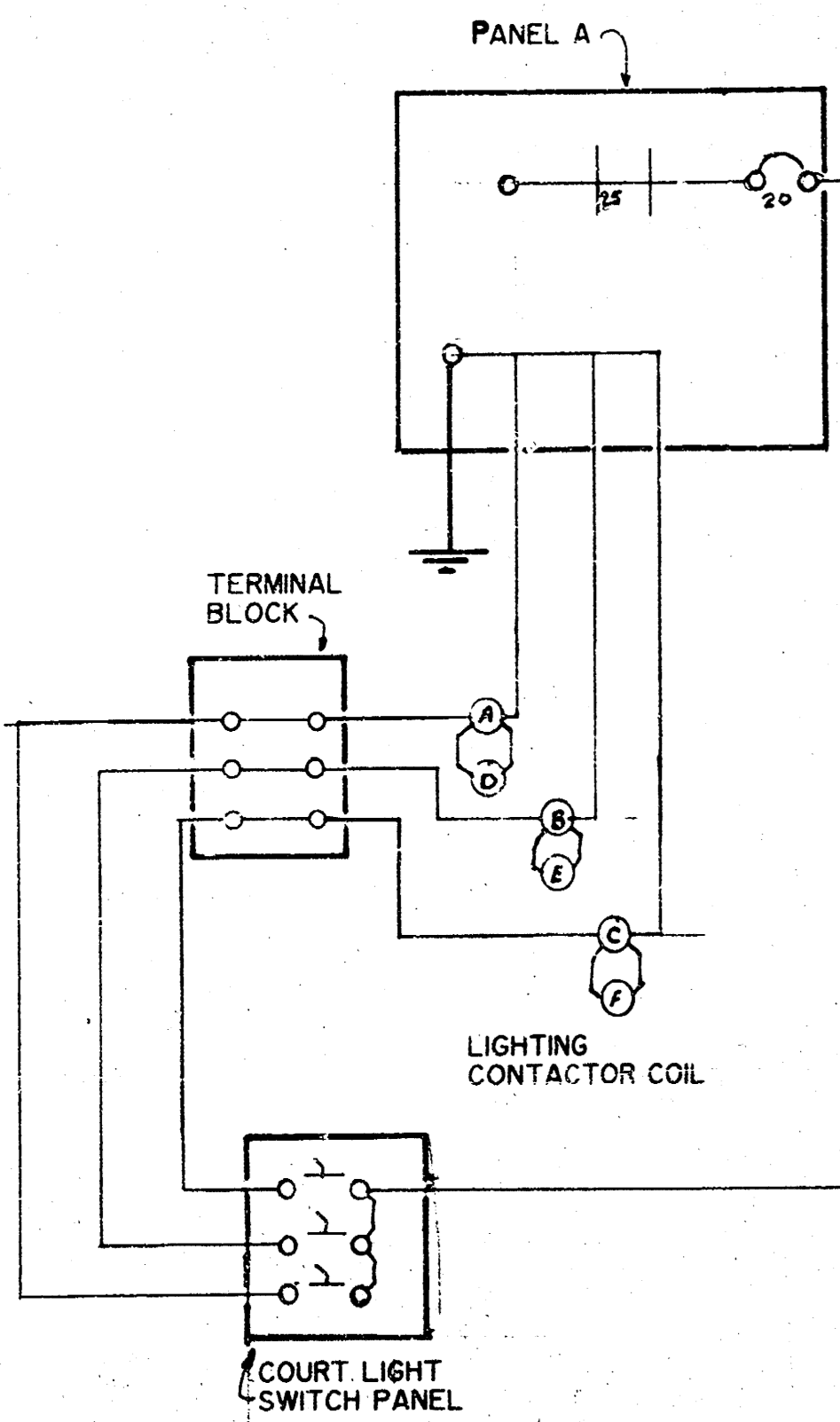
CONTROL JOINT (C.J.)

NOTE : ALL REINFORCEMENT SHOWN SHALL BE PLACED IN THE MIDDLE OF 5" CONCRETE SLAB.

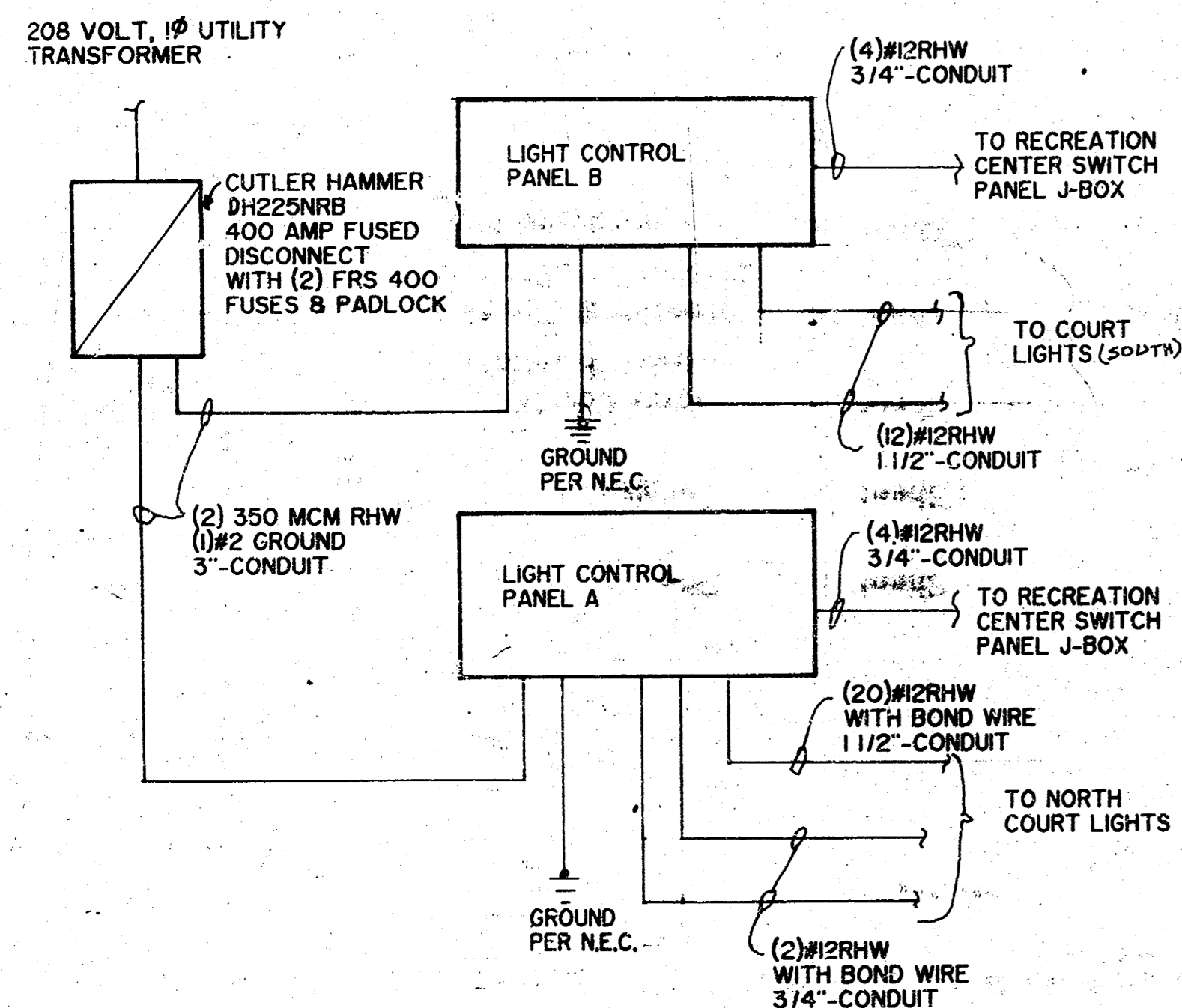


KEYWAY JOINT (K.J.)

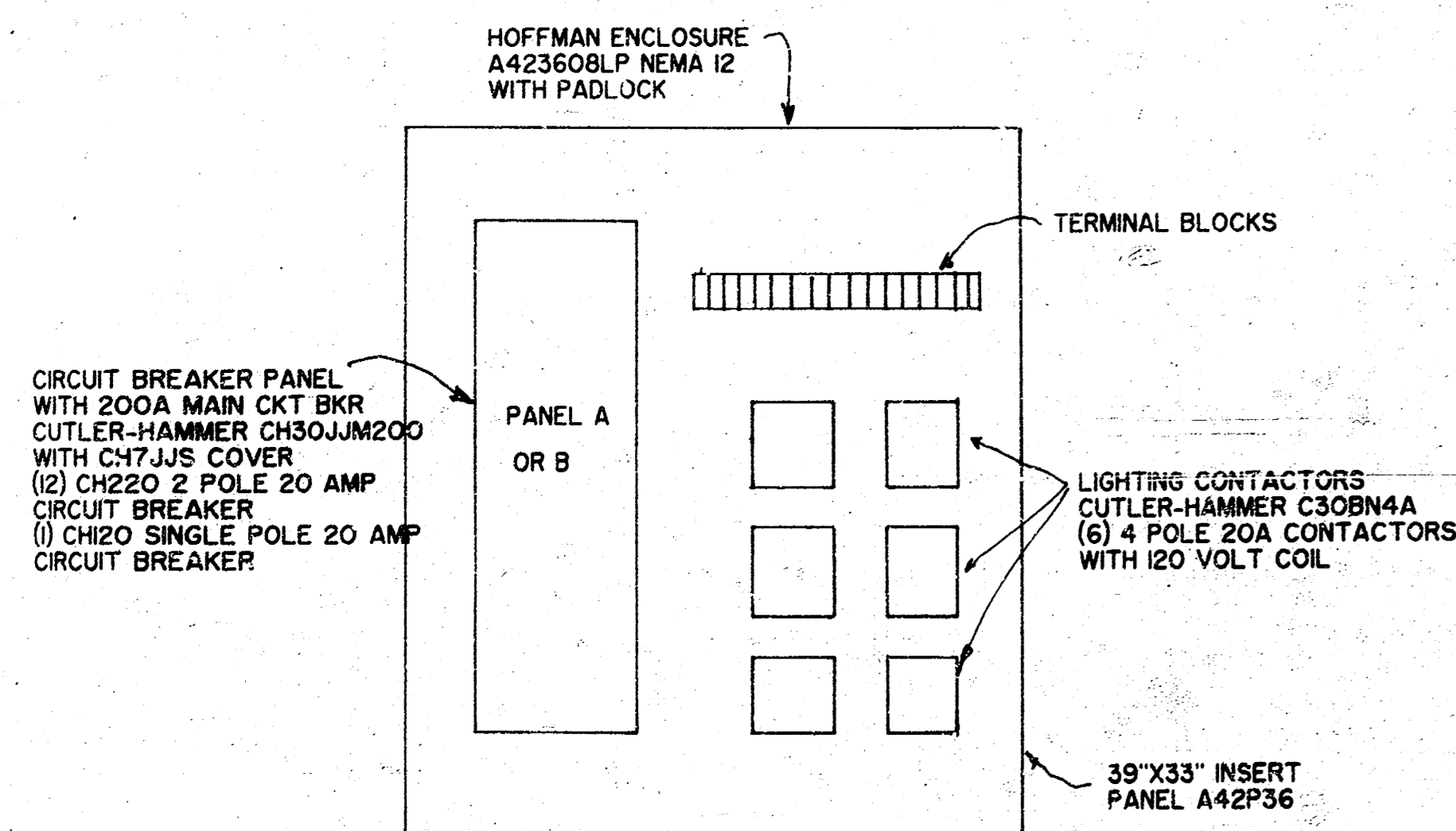
TENNIS COURTS in Riverside Park			
SCALE: As Shown	APPROVED BY:	DRAWN BY:	
DATE: 5-87		REVISED:	
City of Wichita, Kansas			
455-26-220-80152-C-1-000-087			DRAWING NUMBER 3 of 4



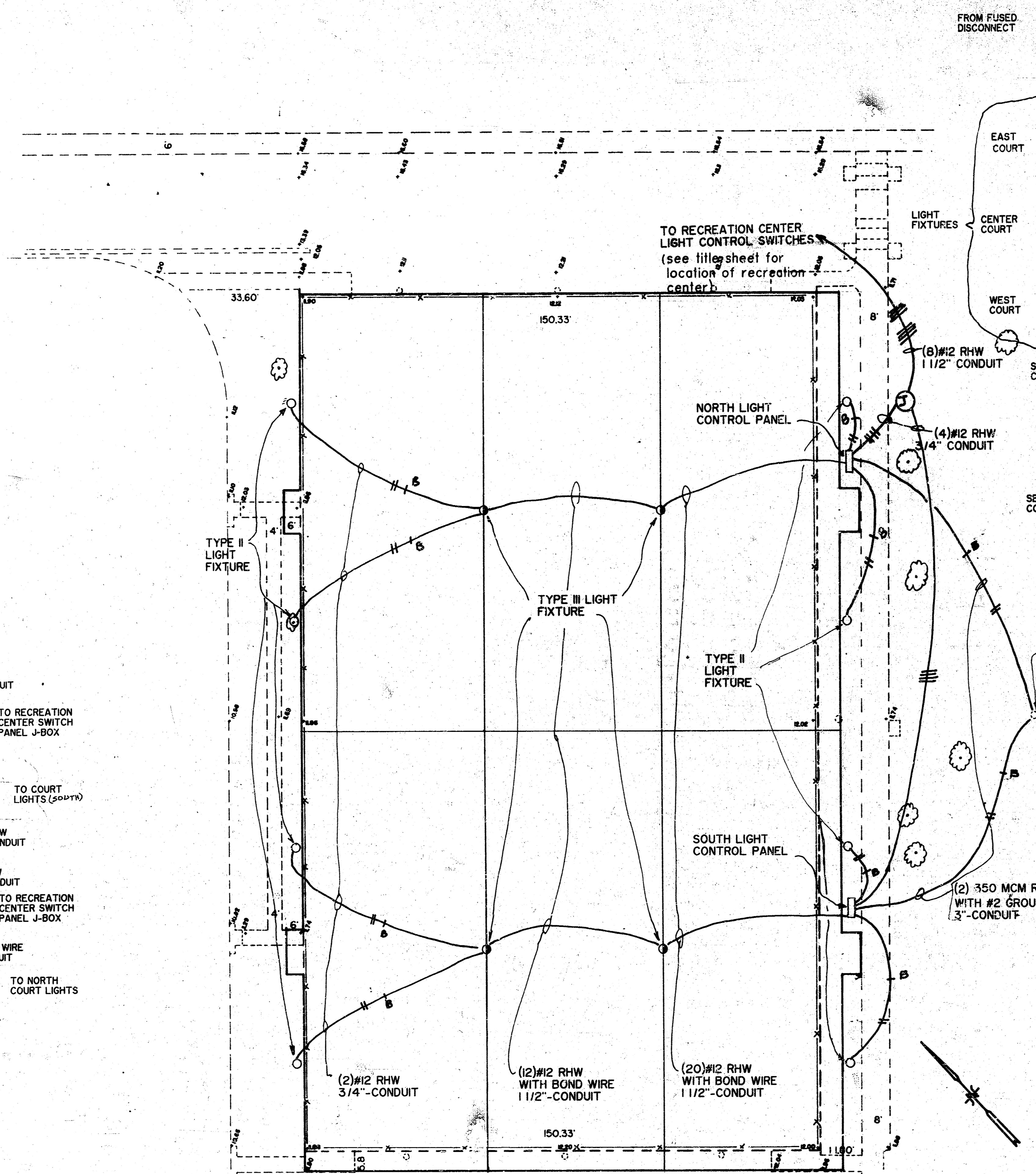
LIGHTING CONTACTOR COIL WIRING DETAIL



FEEDER DIAGRAM



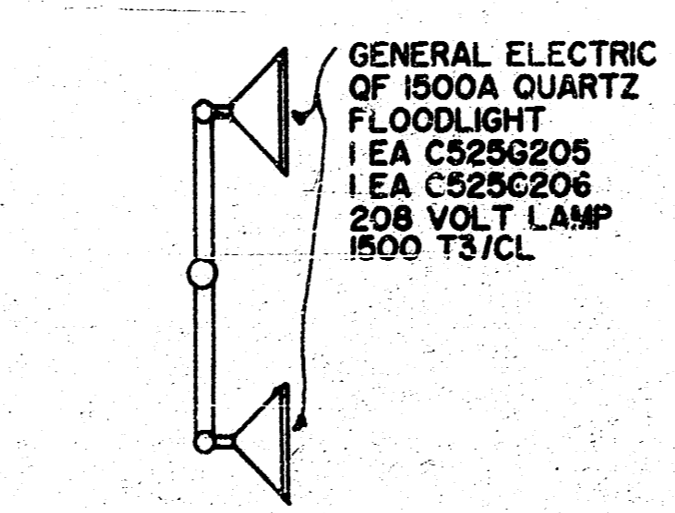
LIGHT CONTROL PANEL TO BE MOUNTED ON PANEL SUPPORT STRUCTURE



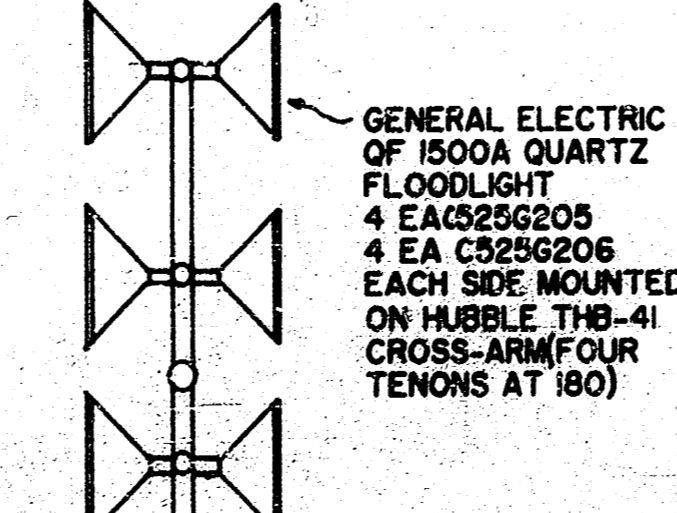
ELECTRICAL DIAGRAM

NOTE: ELECTRICAL DIAGRAM FOR SOUTH LIGHT CONTROL PANEL IS IDENTICAL TO NORTH LIGHT CONTROL ELECTRICAL DIAGRAM.

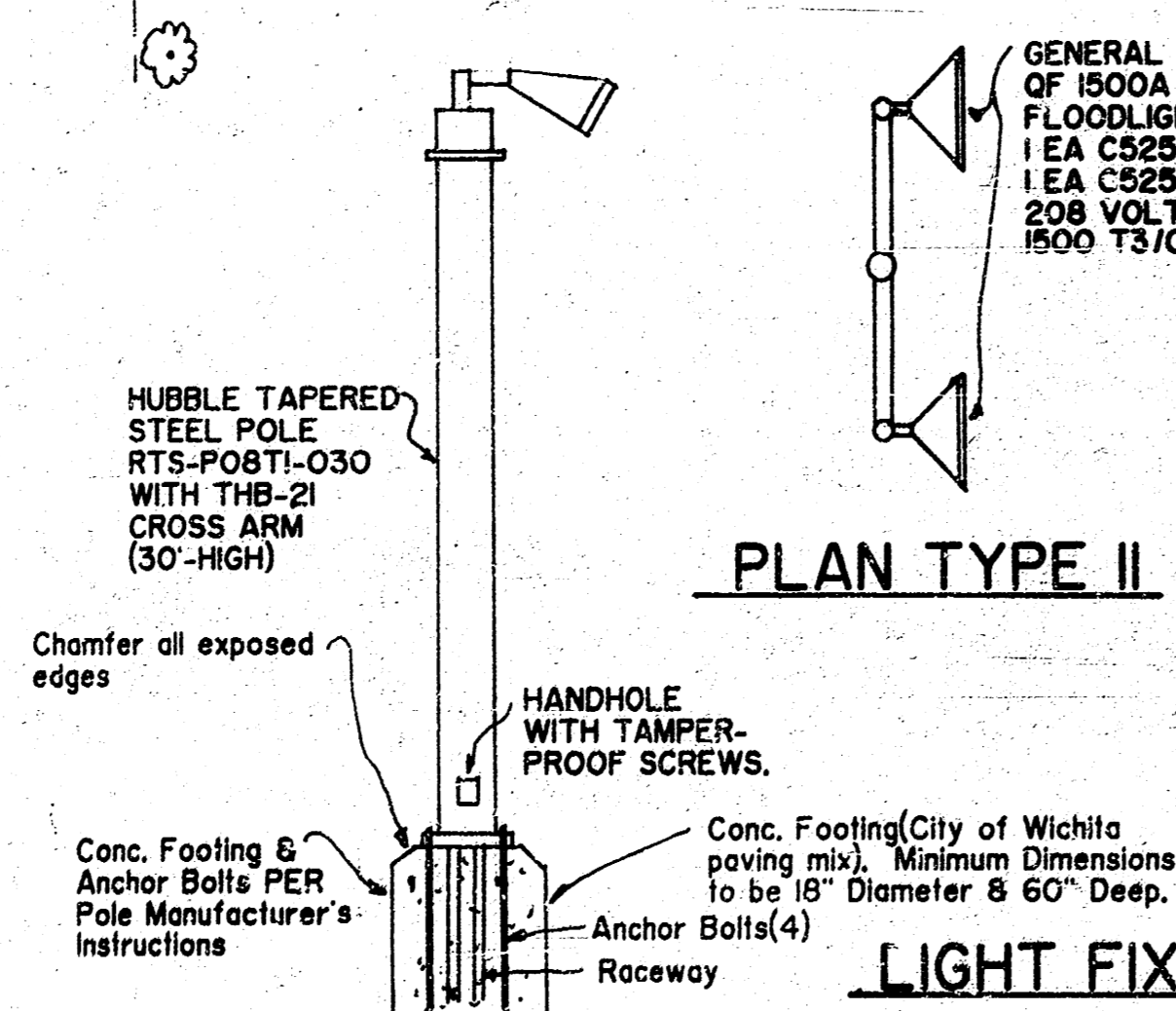
EXISTING POLE MOUNTED TRANSFORMER Contractor to coordinate installation of 75KVA transformer with utility



PLAN TYPE II



PLAN TYPE III



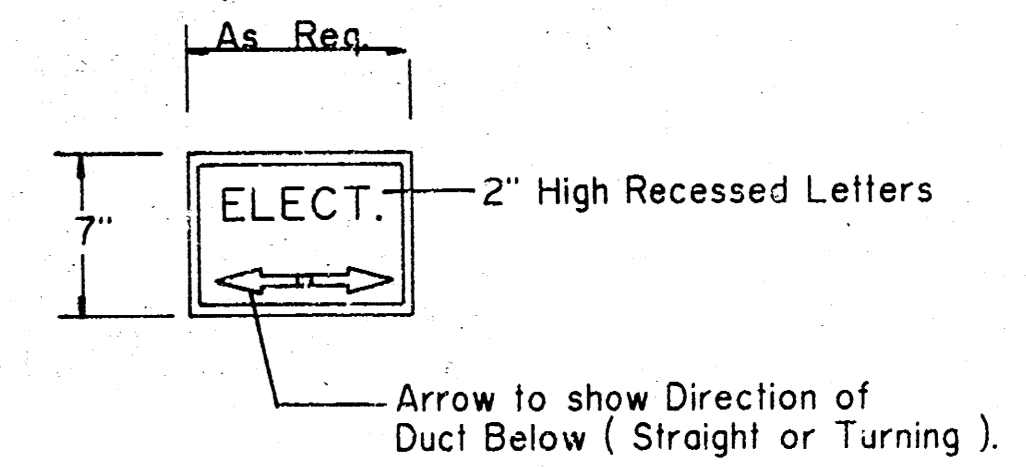
LIGHT FIXTURES

NOTE: CONTRACTOR TO ORIENT POLE FOR CORRECT ALIGNMENT WITH COURTS. CONTRACTOR TO ADJUST BEAM PATTERN FOR OPTIMUM COVERAGE.

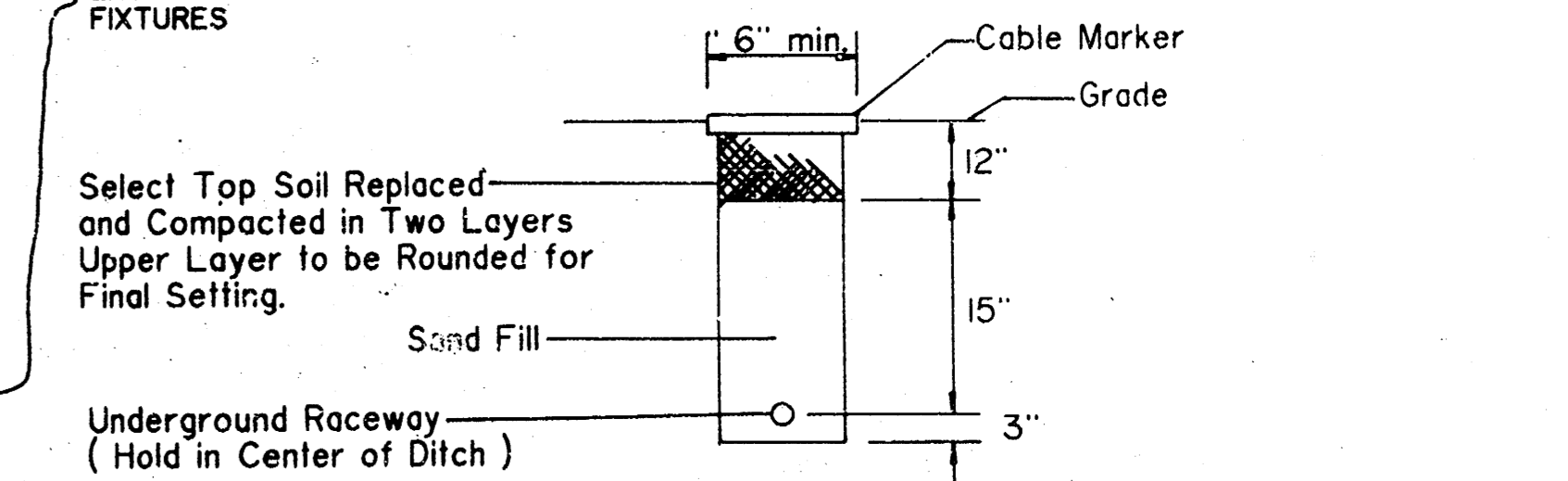
GENERAL ELECTRICAL NOTES:

1. LIGHT CONTROL SWITCH PANEL TO BE INSTALLED IN RECREATION CENTER AT A LOCATION TO BE SPECIFIED BY THE ENGINEER. SWITCHES TO BE PASS & SETMOUR ACT OR APPROVED EQUAL.
2. ALL ELECTRICAL WORK TO CONFORM TO CITY OF WICHITA ELECTRICAL CODE.
3. ALL UNDERGROUND WIRING SHALL BE IN CONDUITS.
4. EXACT LOCATION OF PANEL SUPPORT STRUCTURES TO BE DETERMINED IN THE FIELD BY THE ENGINEER.
5. NO SUBSTITUTION SHALL BE ALLOWED FOR LIGHT FIXTURES.

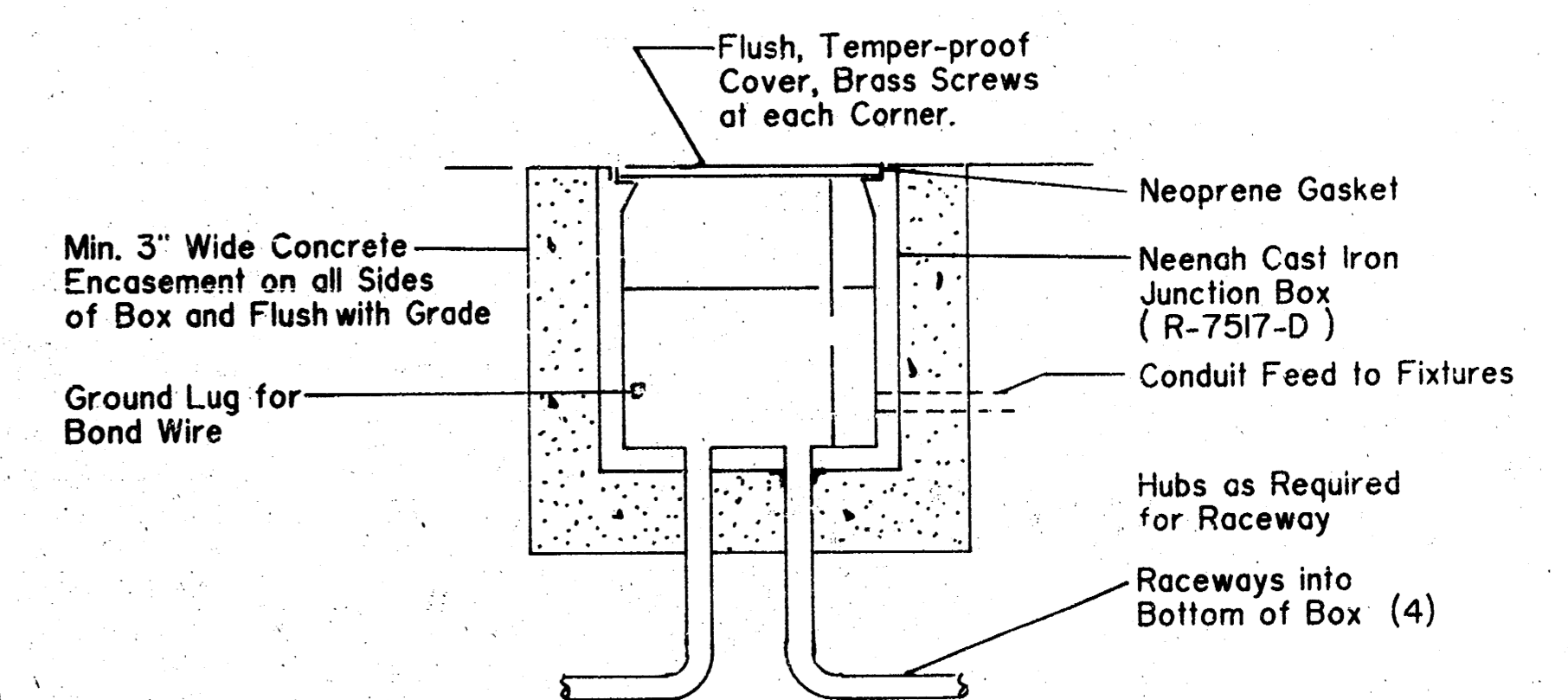
(1) Req. of Change of Direction and (1) Every 100 Ft.



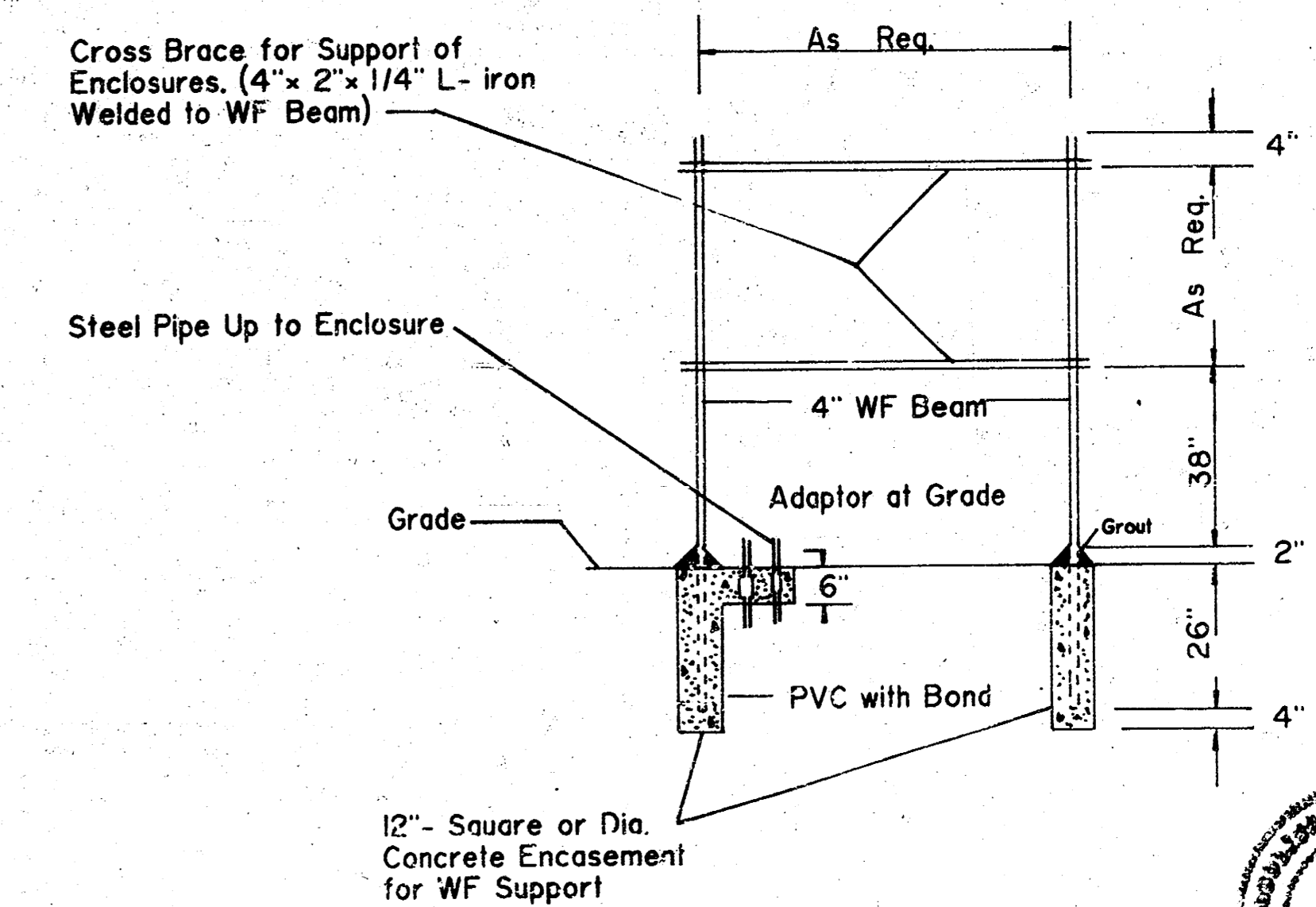
CABLE MARKER



RACEWAY SECTION



JUNCTION BOX DETAILS



PANEL SUPPORT STRUCTURE

MUNICIPAL ENGINEERS
Civil Engineers & Land Surveyors
264 Laura, Suite 201
Wichita, Kansas 67211

Tennis Courts in Riverside Park

SCALE: As Shown
DATE: 5-87
CITY OF WICHITA, KANSAS

APPROVED BY: [Signature]
DRAWN BY: [Signature]
REVISION: [Signature]
DRAWING NUMBER: 4 OF 4

455-26-220-80152-000-000-087