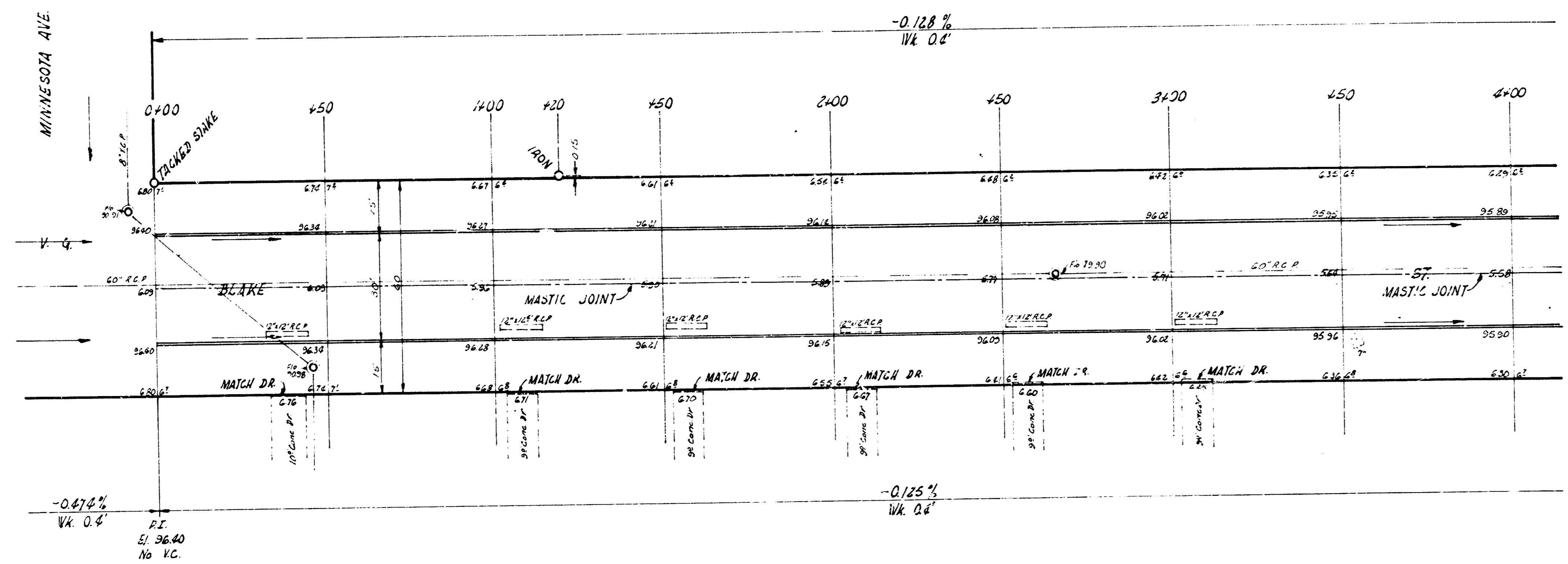


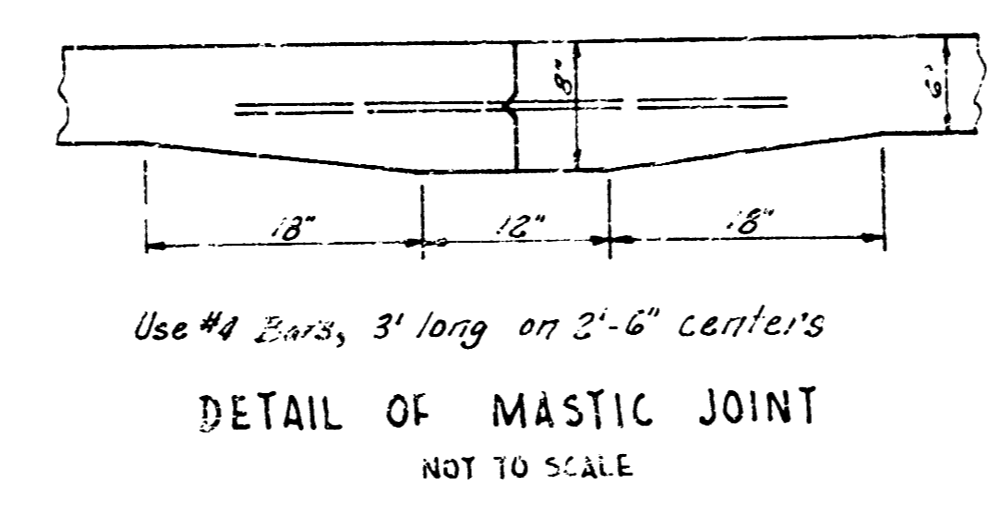
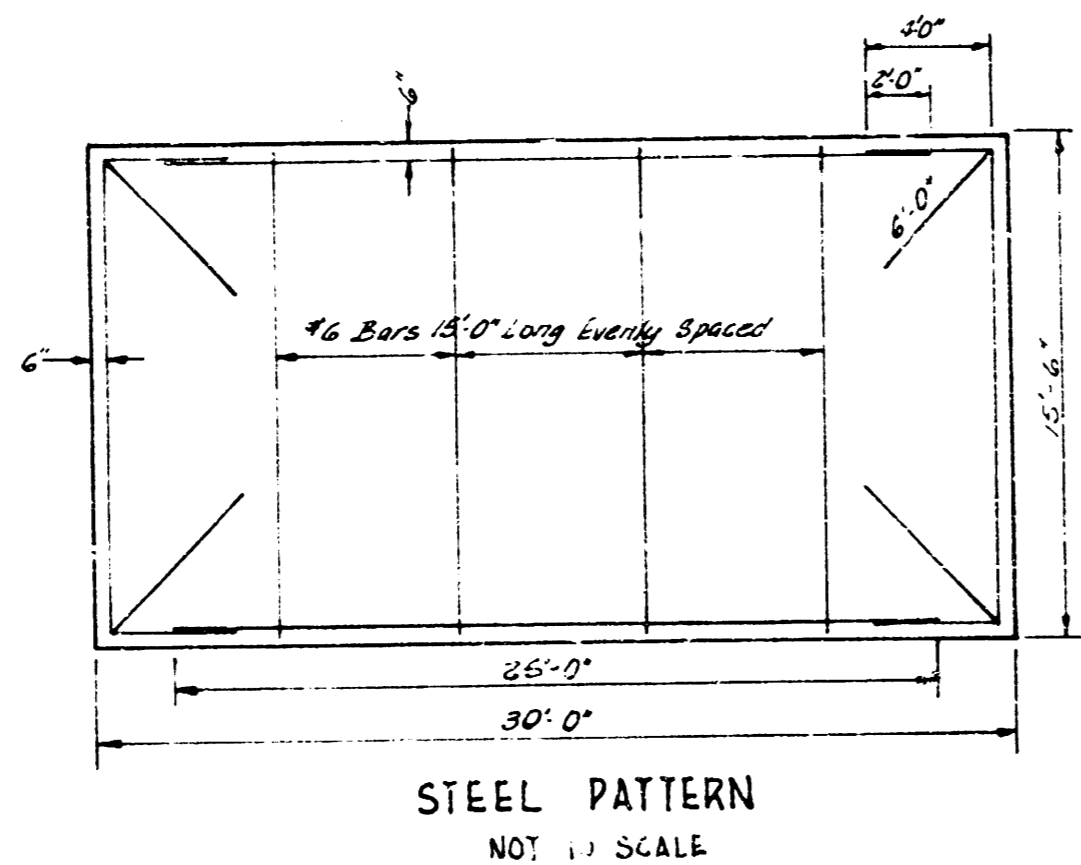
B.M. 36.44 '2" in P.K.S. Top E. Co. Minnesota - W. Blake

Chaining on N.R. East

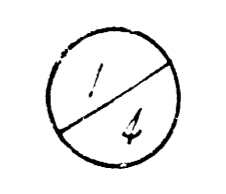


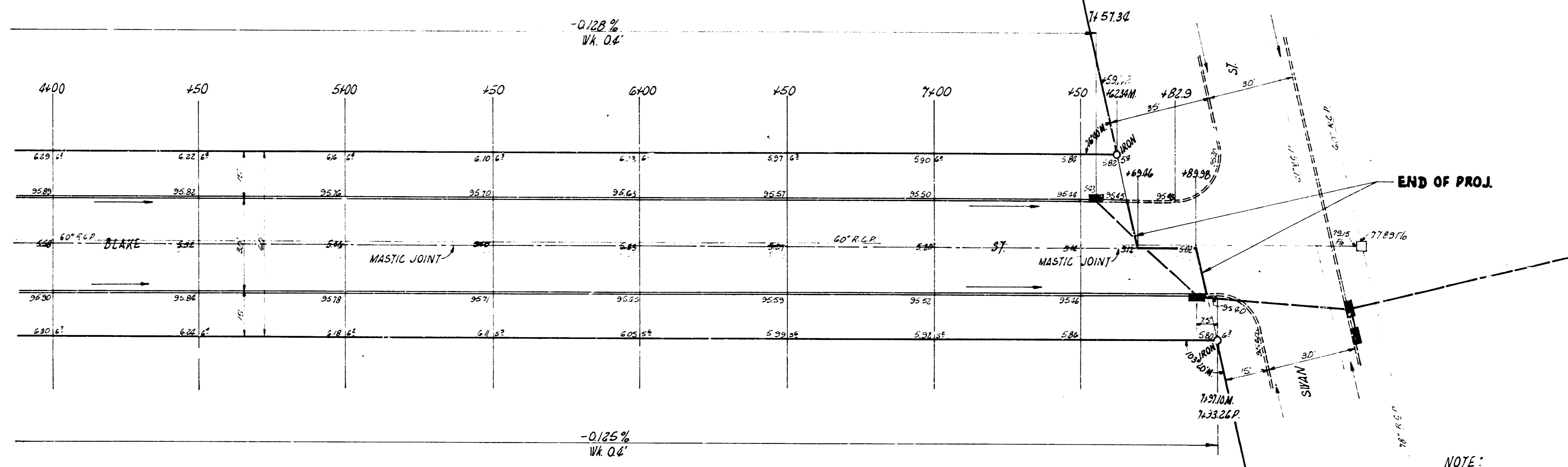
S 25
S 25
442

NOTE TO FIELD ENGINEER & CONTRACTOR
All entrance pipes are to be disposed of
in accordance with City Dirt Checker's
Instructions.



BLAKE ST
E.L. MINNESOTA - W.L. SWAN
30' CONC. & C.B.
CITY OF WICHITA, KANS.
B.E. SMITH CITY ENGINEER
SEPT 1257 PROJ. NO. C14-87





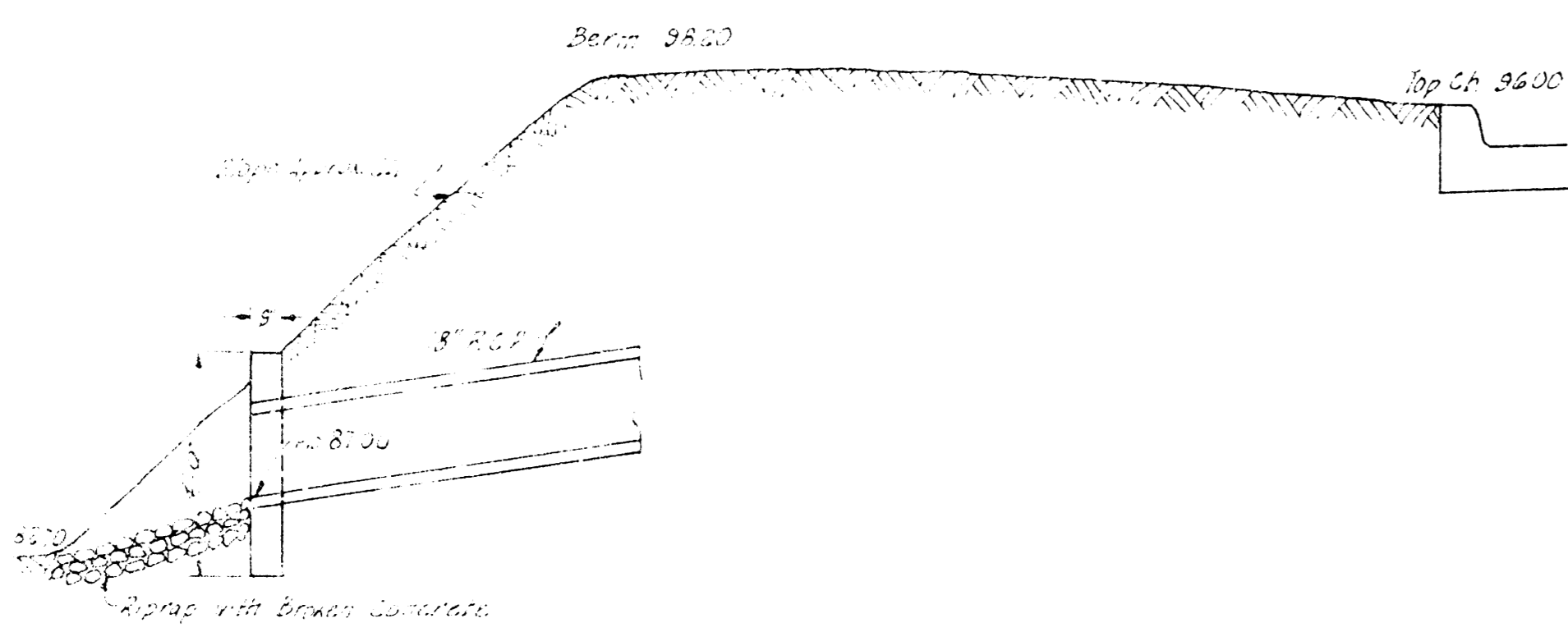
END OF PROJ.

NOTE:
 C.B.'s to be installed in connection
 with Incidental Drainage to
 Blake St., Proj. No. C14-87

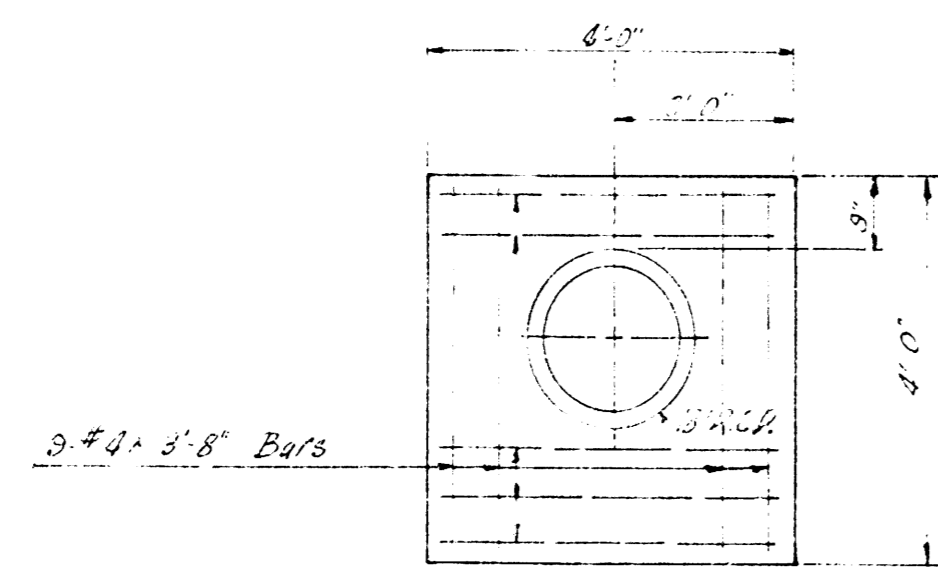
2/4

BLAKE ST.
 PROJ. NO. C14-87

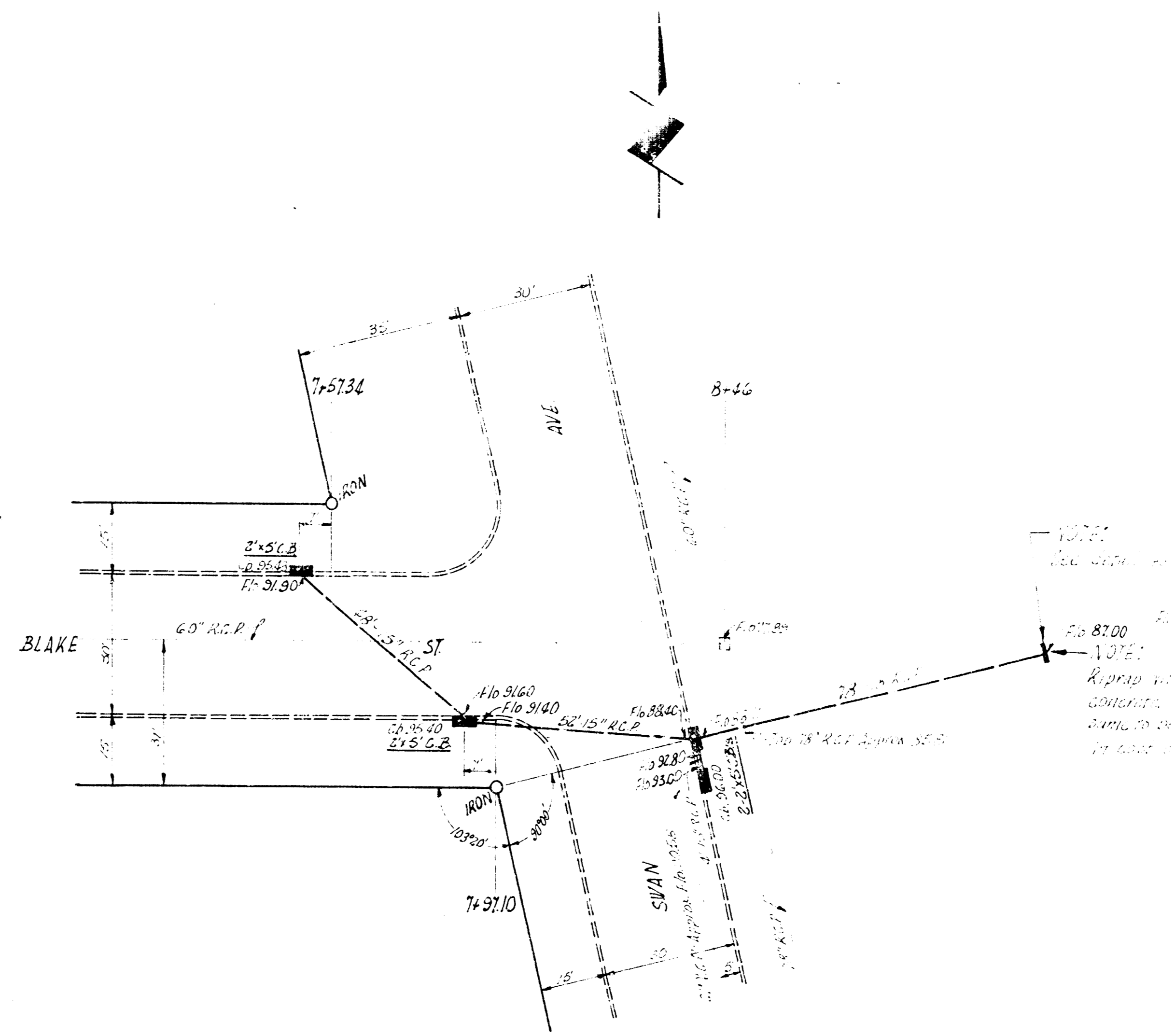
11.14 P. 11.14.2 Top E. 16 Minnesota - N.L. Blake



SECTION THRU BANK AT HEADWALL
NOT TO SCALE



ELEV OF REINFORCED CONC HEADWALL
NOT TO SCALE



INCIDENTAL DRAIN
IN CONNECTION WITH PAVING OF B
FROM W. MINNESOTA - E. S
CITY OF WICHITA,
B.E. SMITH CITY ENR
PROJECT NO.