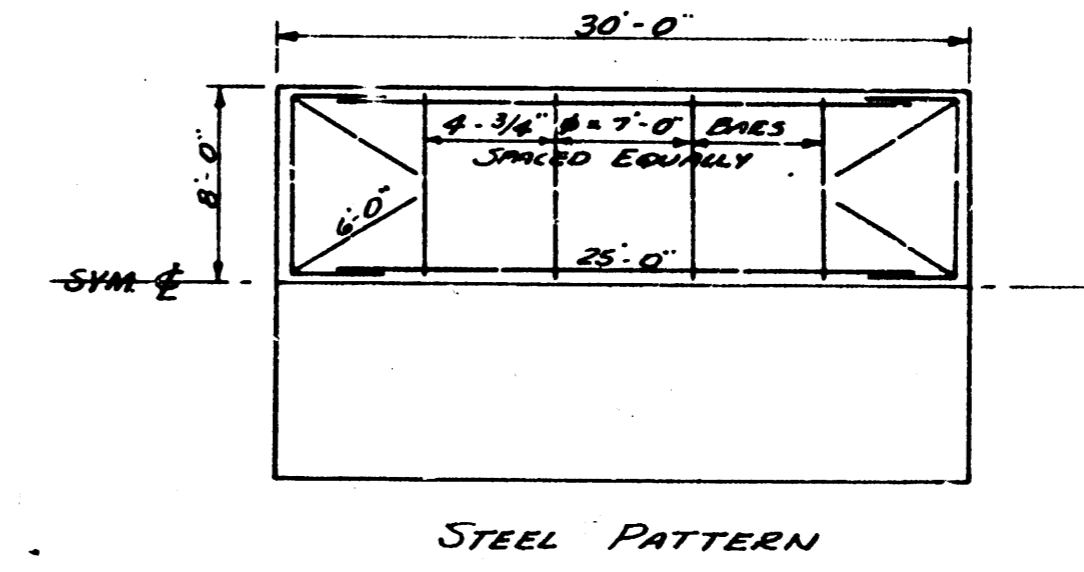
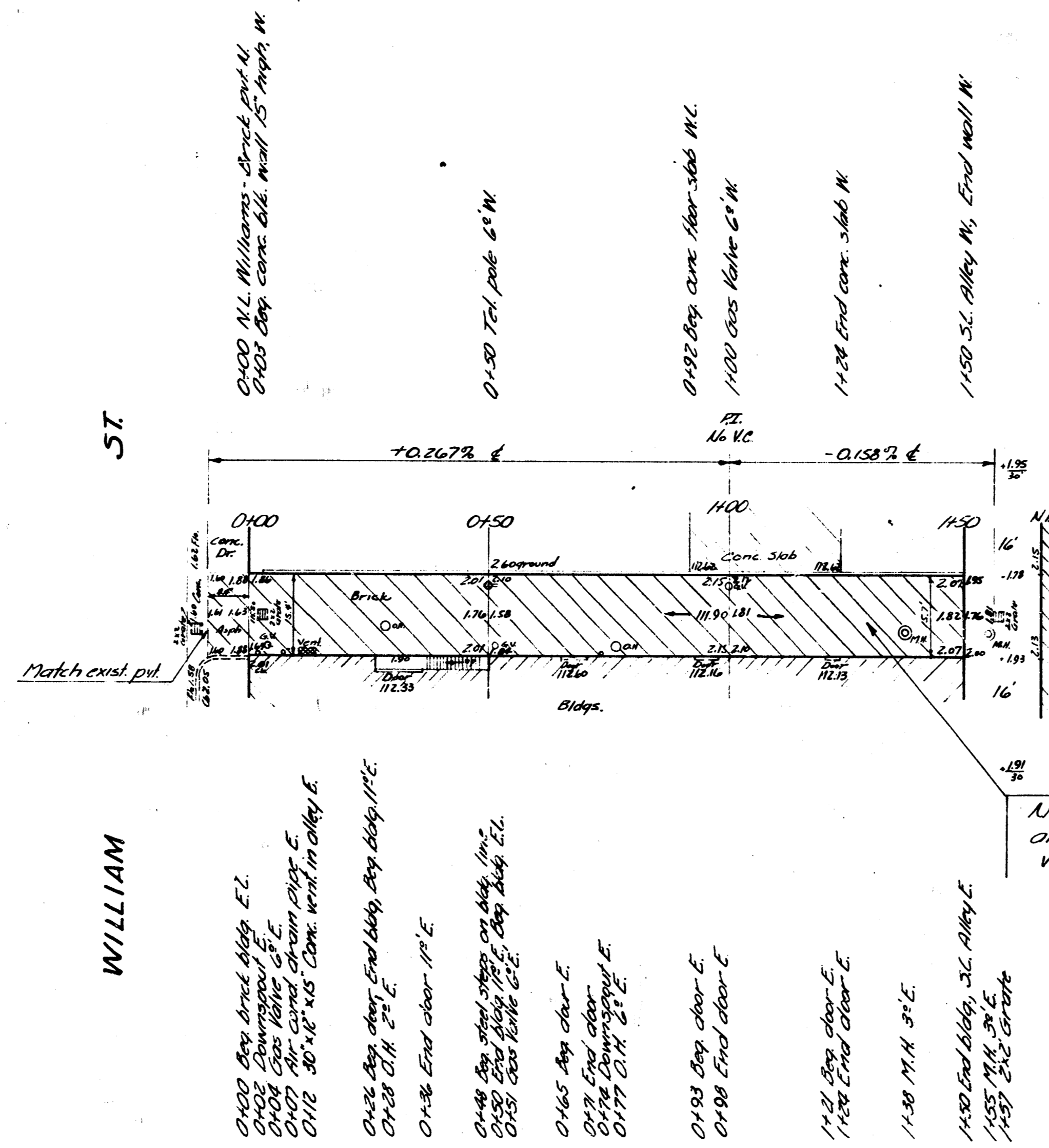
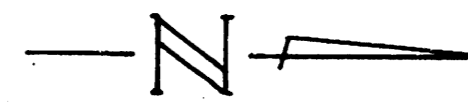


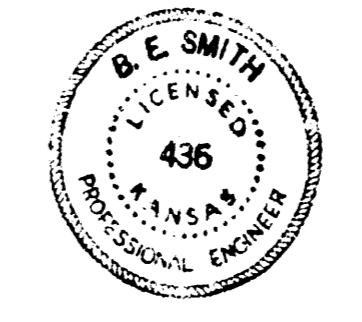
B.M. 11393 U.S.G.S. B.M. @ S.W. Cor. Mo. Pac. Depot, Webb & Douglas  
 B.M. 11149 S. Elm K.G.E. M.H. S.E. Cor. Douglas & Water  
 B.M. 11204 N. Elm K.G.E. M.H. N.S. of Alley S. of Douglas, N. End Alley W. of Main  
 B.M. 11228 "K" in Keeler C. W.E. W. W.S. Alley S.S. Williams, W. of Main

Base Line is Alley



NOTE: Remove exist. pvt. in alley as shown & replace with 7" conc. pvt.

ALLEY BTWN WATER & MAIN  
 S.L. ALLEY S. DOUGLAS-NL WILLIAM  
 7" CONC. 16" REPAVE  
 CITY OF WICHITA, KANS.  
 B.E. SMITH CITY ENGINEER  
 AUG 1953 PROJ. NO. C13-196



1527  
 B.E. SMITH  
 LICENSED  
 PROFESSIONAL ENGINEER  
 STATE OF KANSAS  
 NO. 436