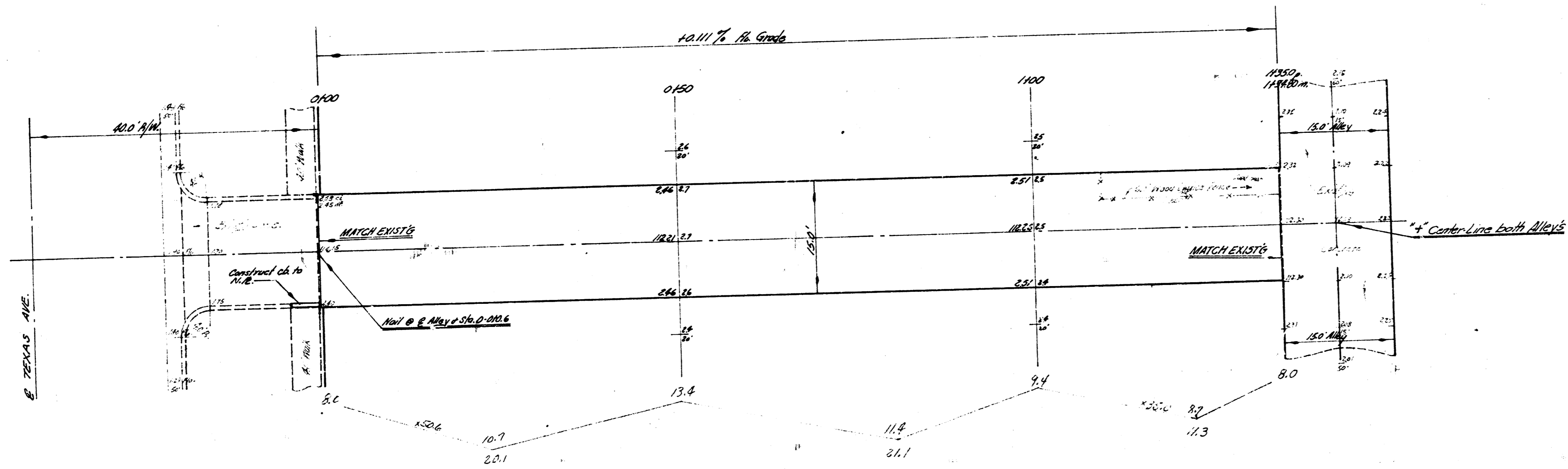


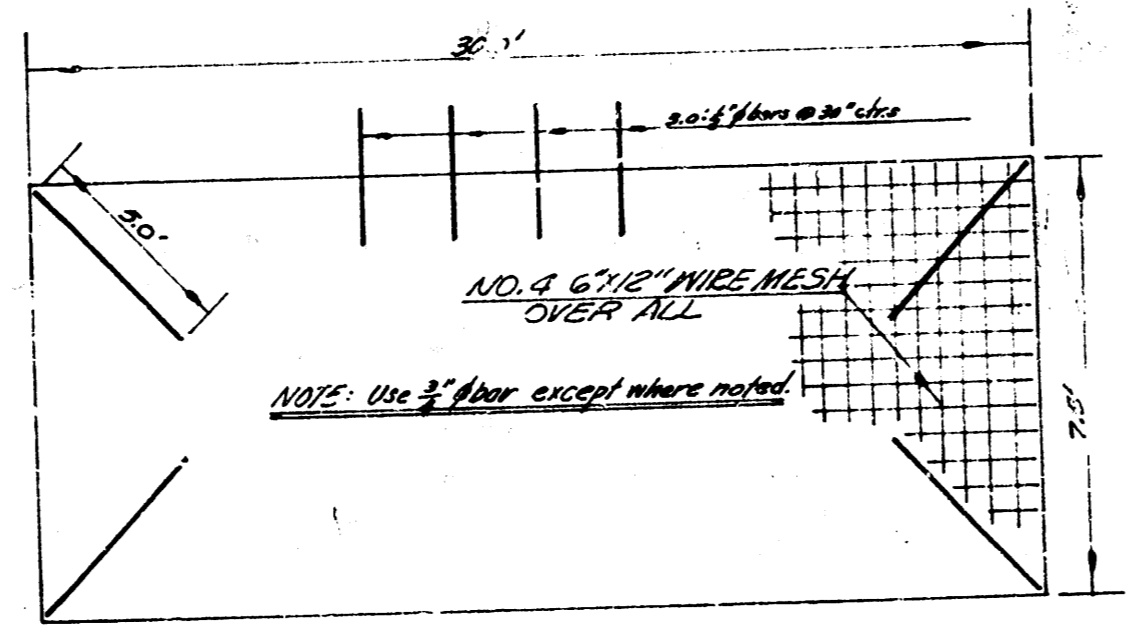
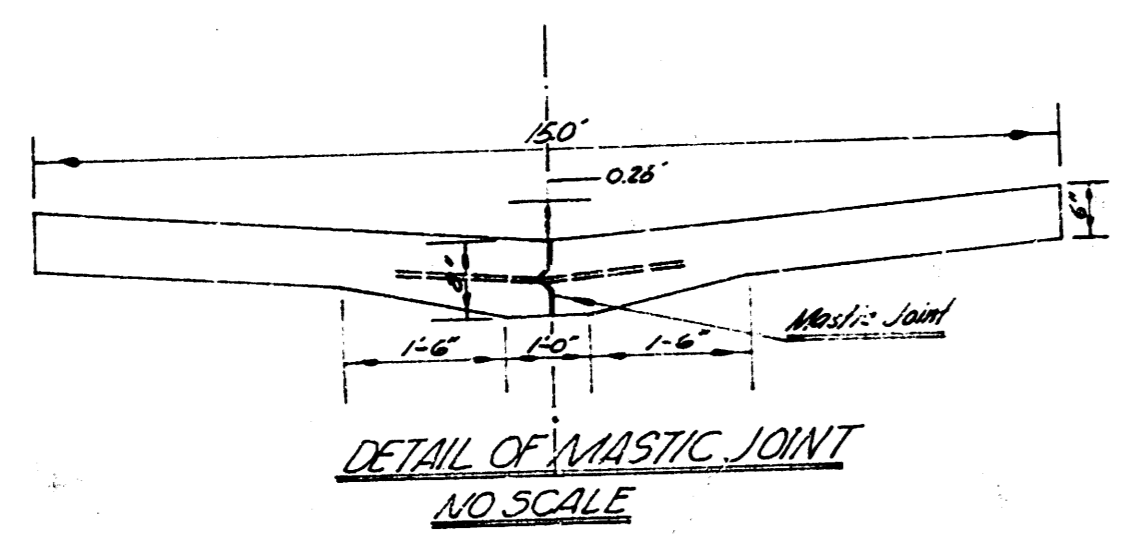
B.M. "C" IN CAMPBELL & APP. PK. NO. 844 COR. TEXAS + SYCAMORE Elev. 118.19

Scale 1/4" = 1'-0" N

NOTE TO CONTRACTOR
 This project will be constructed under the supervision of the CITY ENGINEER and conform to the SPECIFICATIONS of the CITY OF WICHITA. The CONTRACTOR will reimburse the City of Wichita for all cost of Engineering, Plans, and Insp. chg.



Survey by J. J. Murphy
 June 10, 1914
 City Engineer



SCHEDULE OF QUANTITIES

2660	Sq. Yds.	6" Concrete Pavement
225	Cu. Yds.	Excavation
21	Cu. Yds.	Special Excavation
21	Cu. Yds.	Special Concrete
1366	Lbs.	Mastic Joint
260	Lbs.	Reinforcing Steel
30.000	Lb. Ft.	No. 4 Steel Wire Mesh
40	Lb. Ft.	Reinforcing Steel

* WIRE MESH TO BE INCLUDED IN PRICE OF CONCRETE

ALLEY NORTH OF TEXAS
 BETWEEN CUR. O'GORME AVENUES
 N. TEXAS AVE. to ALLEY So. of DOUGLASS

150'-6" CONCRETE

City of Wichita, Kansas
 B.E. SMITH CITY ENGINEER
 DATE PRIVATE JOB

