

B.M. 159.86 6" IN 1908 S. RAIL DRIVE NO. 227 S. OLIVER
 B.M. 153.32 N.E. COR. CONC. BASE SIGNAL LT. 35. COR. OLIVER & LINCOLN
 B.M. 147.15 6" IN GLOBE CTR. OF N.W. COR. BRIDGE @ LINCOLN, N. OF ELPHCO
 B.M. 153.00 S.W. COR. CONC. PORCH NO. 958 S. PINELAKE

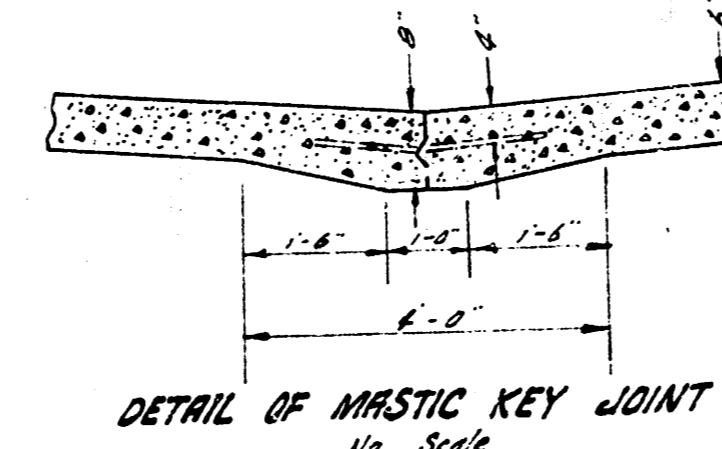
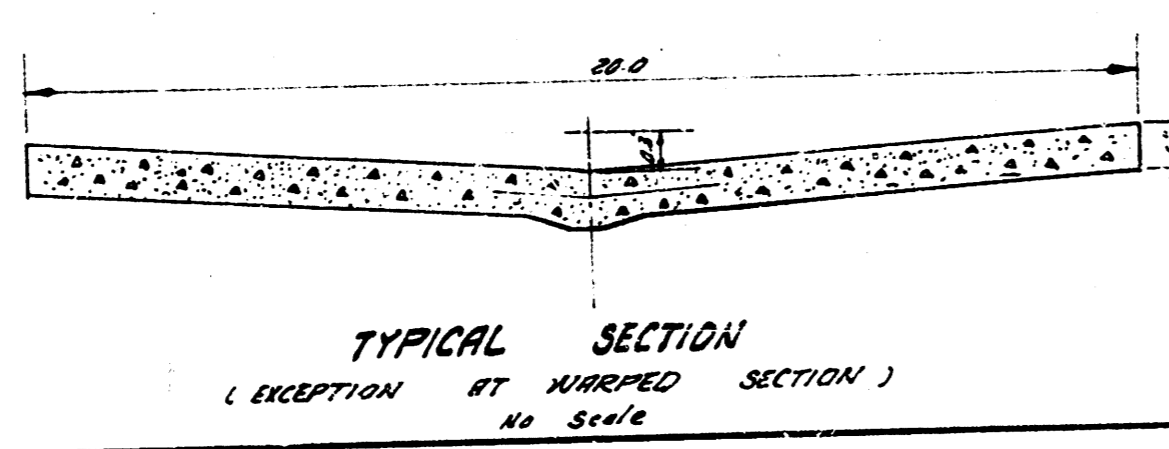
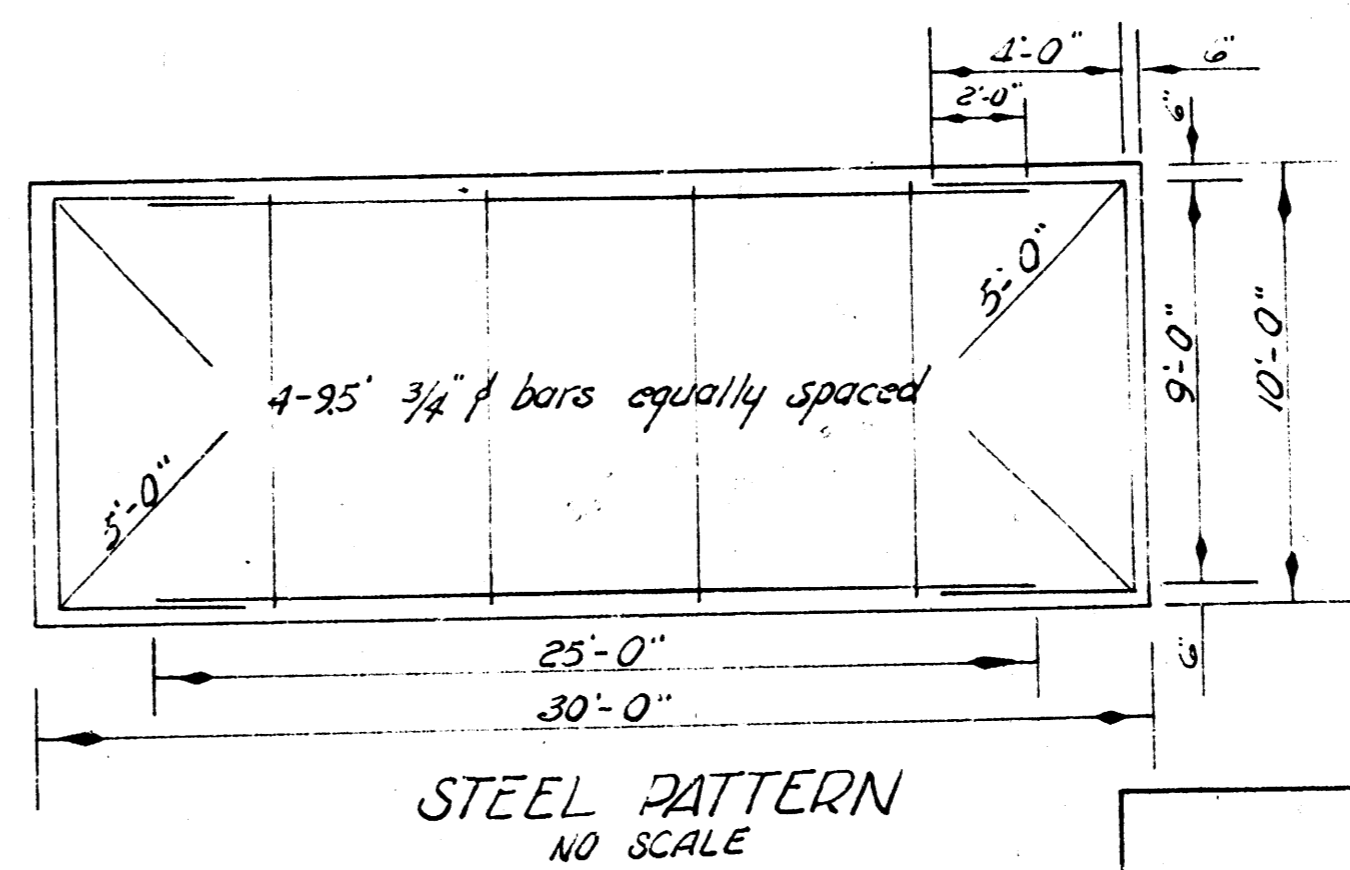
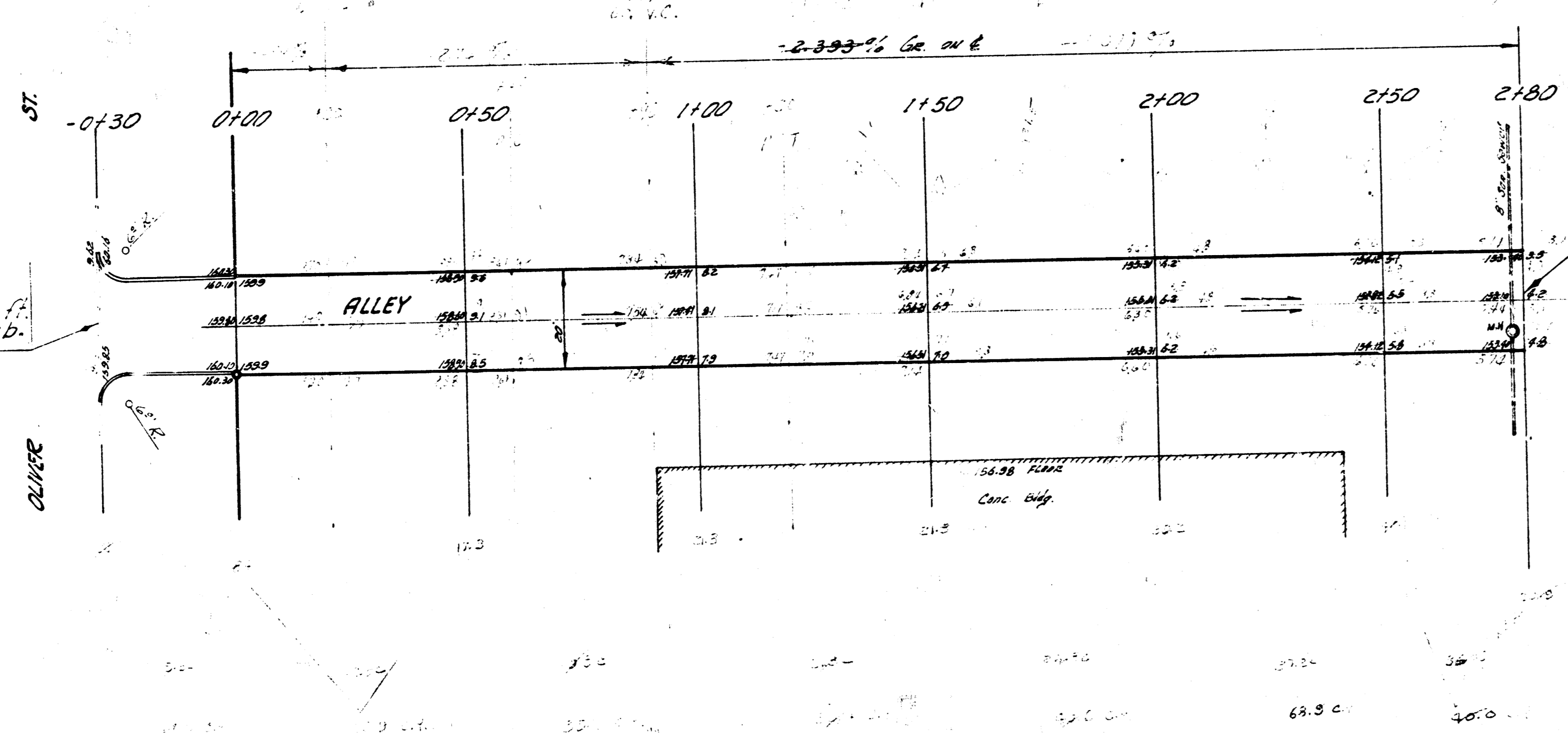
NOTICE
 This project was prepared under the supervision of the City Engineer, City of Wichita, Kansas, and is subject to the City Engineer's approval and the City of Wichita's right of inspection.

ESTIMATE OF QUANTITIES			
Quantity	Unit	Item	Est.
670.8	SF Yd	Pavement	
88.0	CU Yd	Rein. 12x12 cb	
875.0	CU Yd	Excavation	
200.0	CU Yd	Backfill 12x12 cb	
4645.0	LS	Steel	
31.0	Lin. Ft	Curb stem	

NOTE:
 Remove 31 Lin. Ft. of existing curb.

NOTE:
 Contractor to construct ditch to drain alley and protect bottom of same to prevent scouring.

Scale 1" = 20'



ALLEY
 N. OF LINCOLN E. L. OLIVER TO 280 E. OF OLIVER
 20' CONC.
 CITY OF WICHITA, KANSAS
 B. E. SMITH CITY ENGINEER
 SEPT. 1938 PRIVATE CONTRACT

