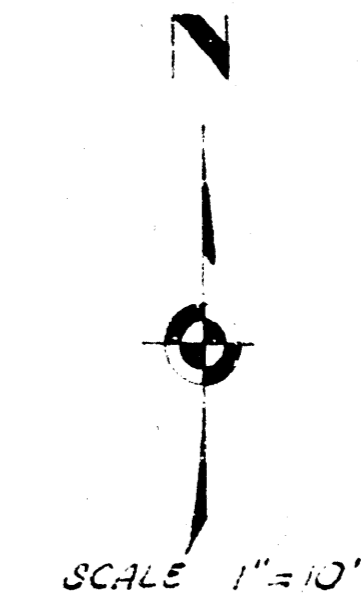
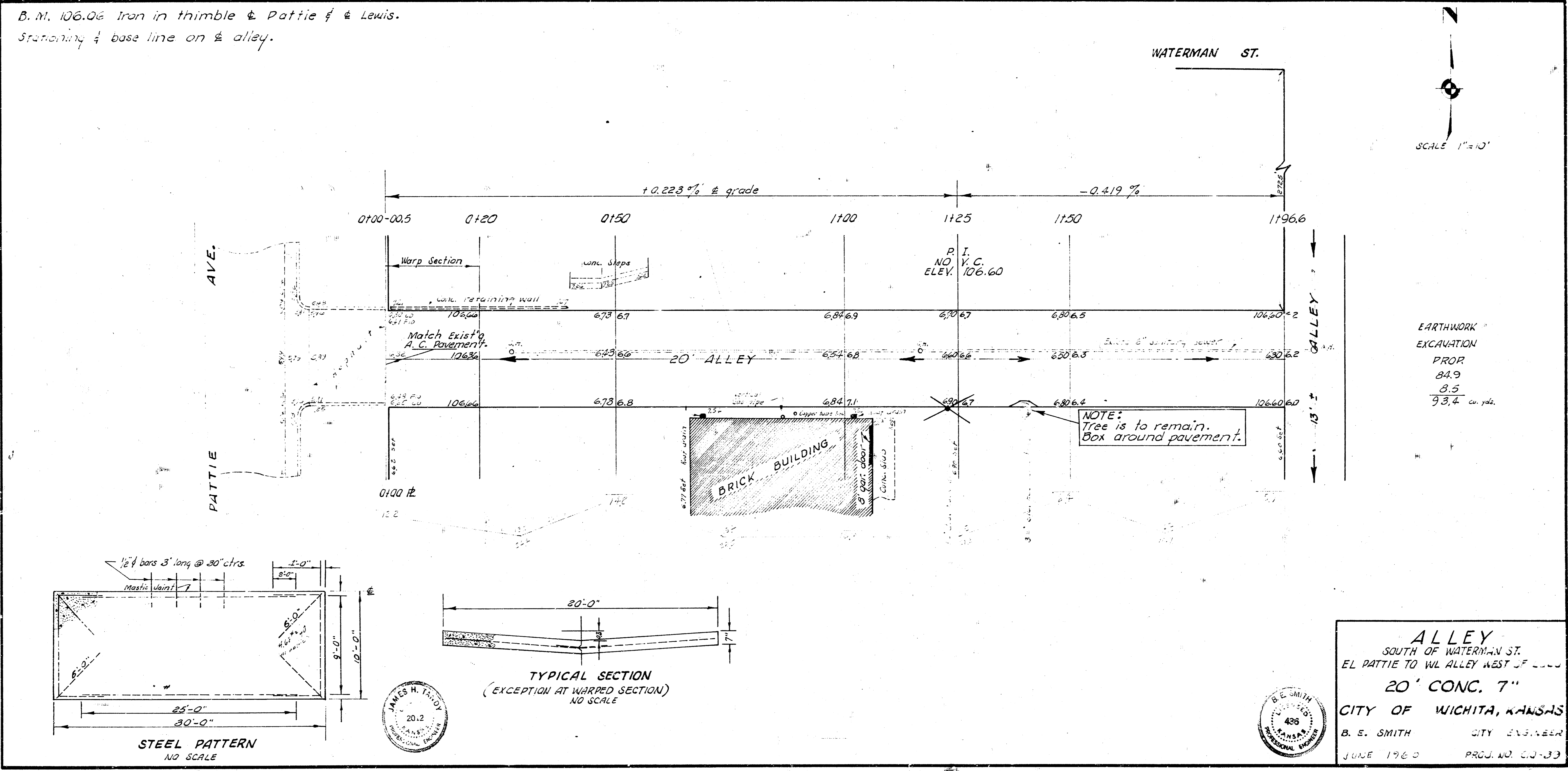
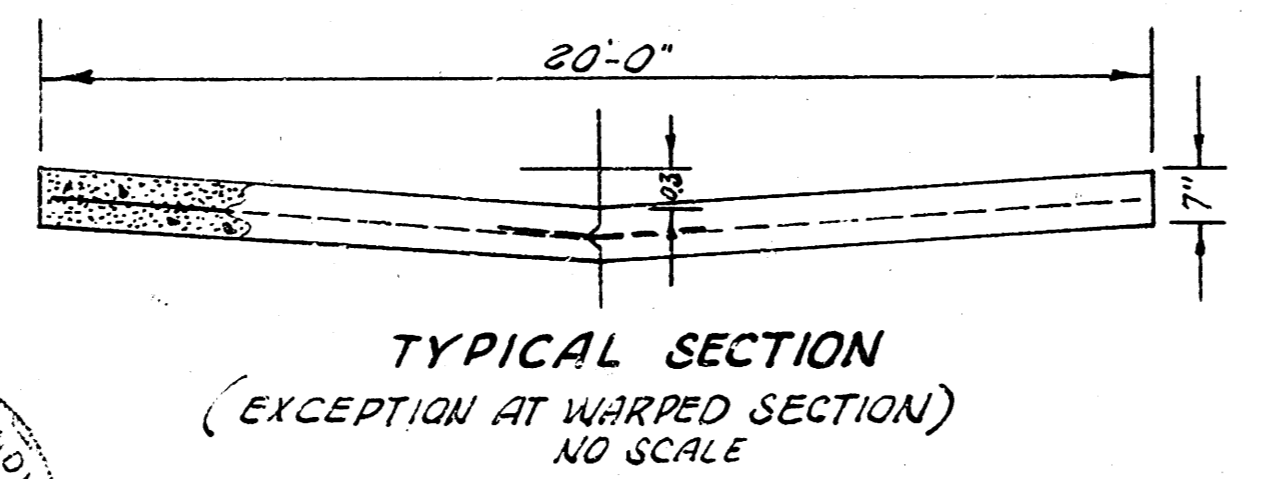
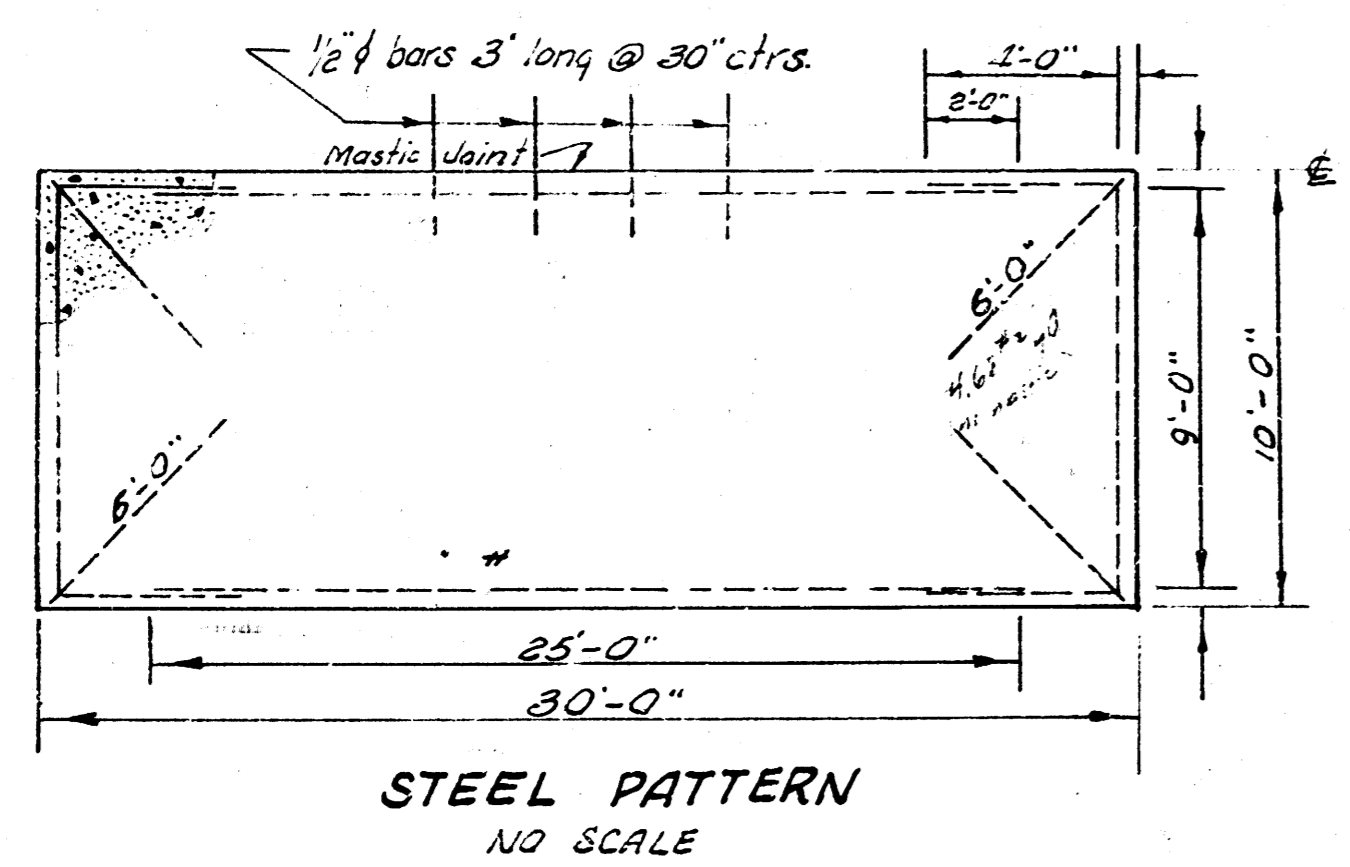


B.M. 106.06 Iron in thimble @ Pattie & Lewis.
 Stationing & base line on & alley.

2 Sheets G-18
 5/19/60
 B.E.S.



EARTHWORK
 EXCAVATION
 PROR
 84.9
 3.5
 93.4 cu. yds.



ALLEY
 SOUTH OF WATERMAN ST.
 EL PATTIE TO WL ALLEY WEST OF
20' CONC. 7"
 CITY OF WICHITA, KANSAS
 B. E. SMITH CITY ENGINEER
 JUNE 1960 PROJ. NO. C-33