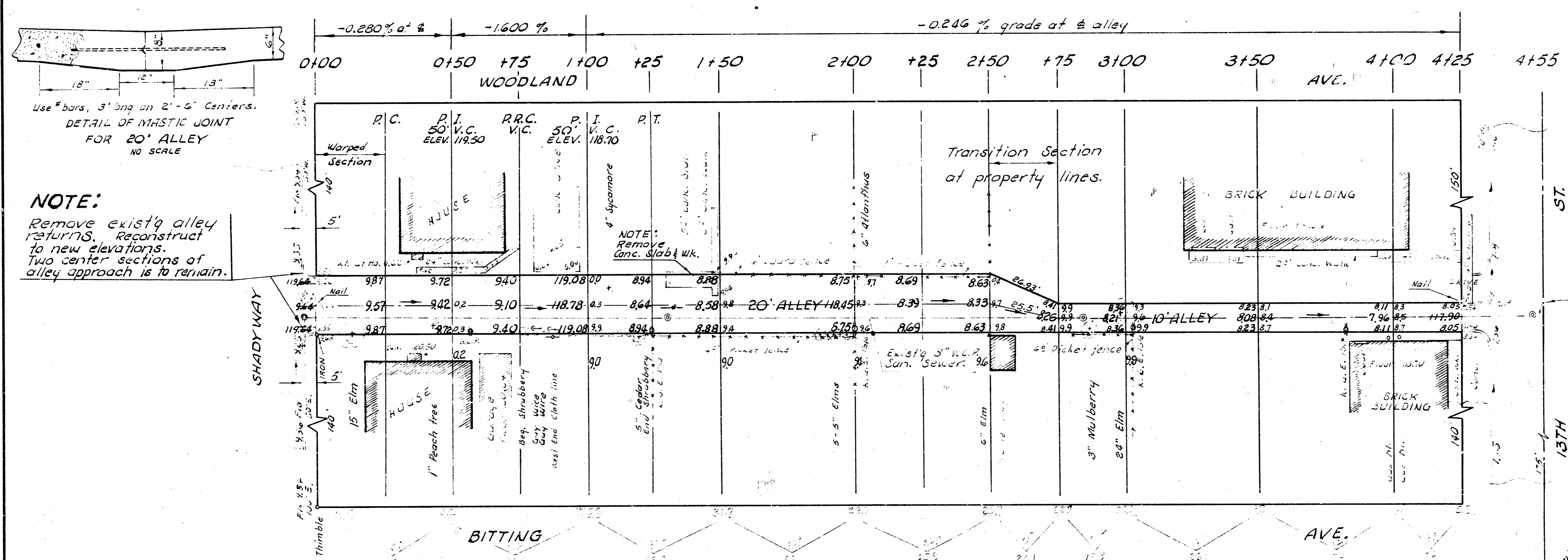
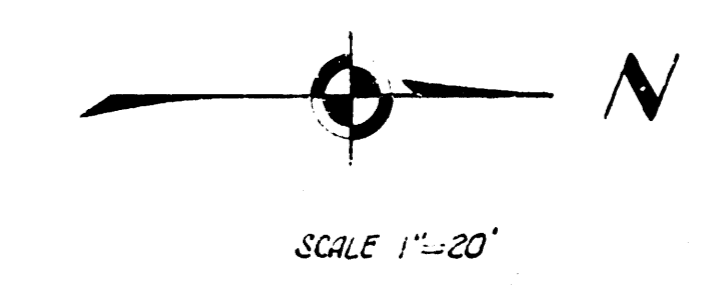
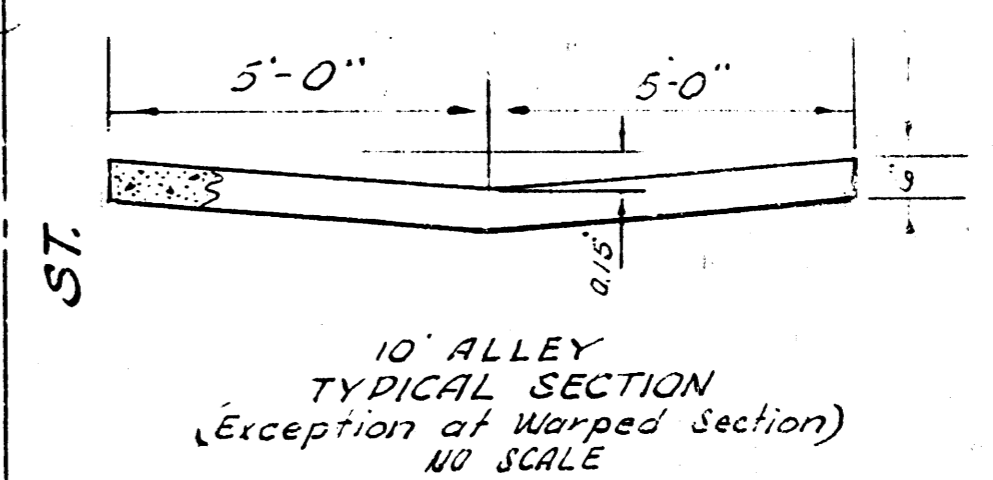
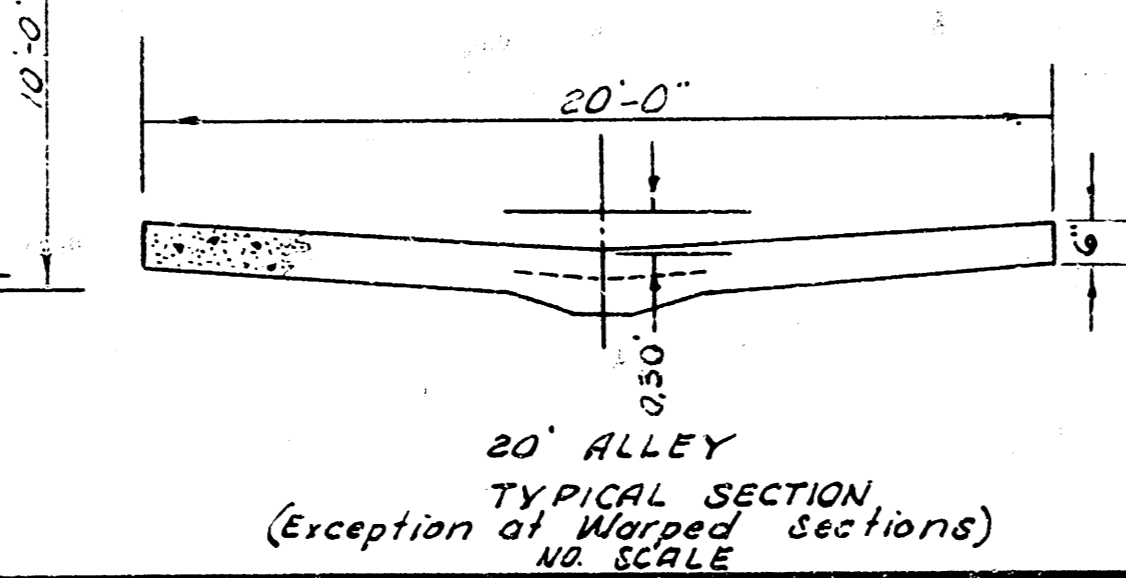
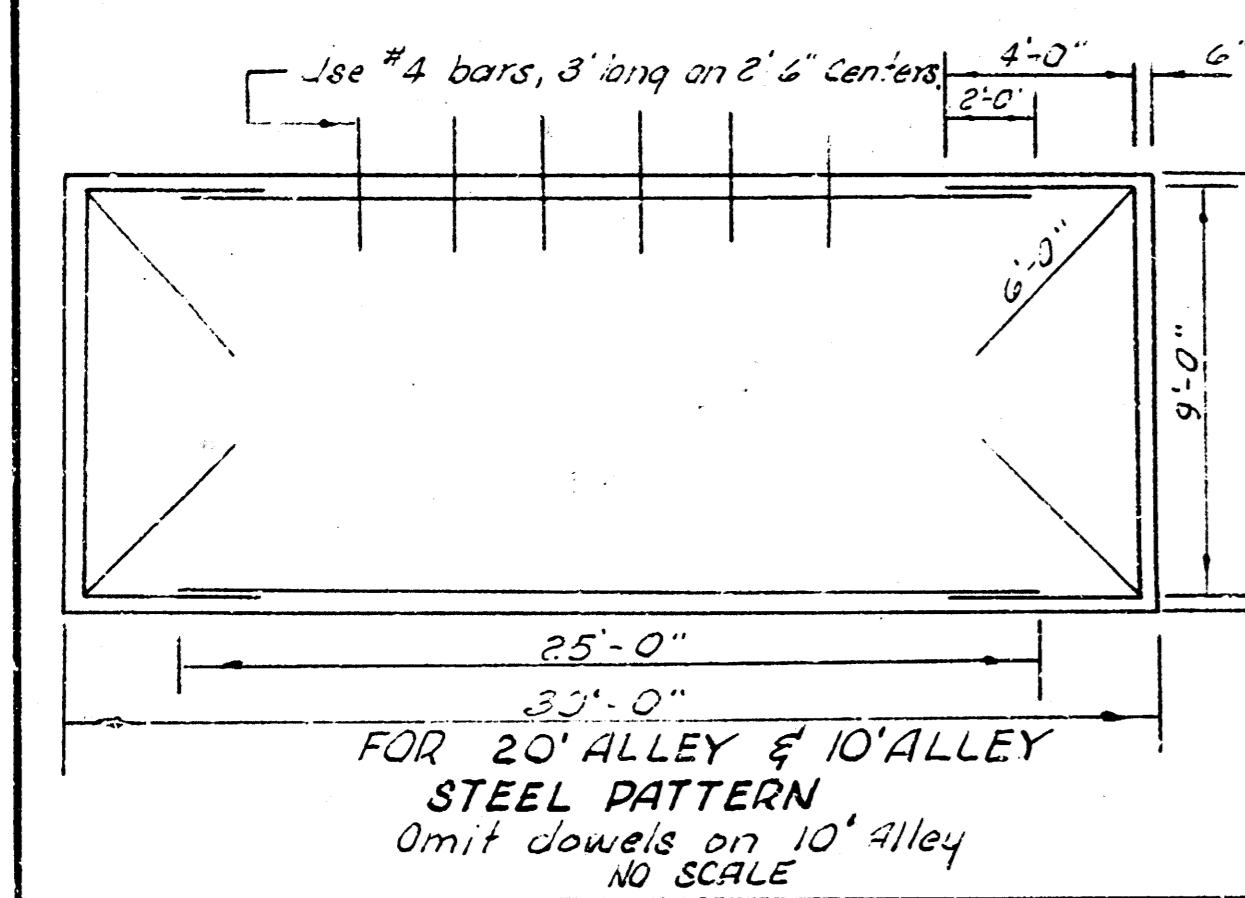


B.M. 1077 on S. 20 Shadyway on base line.
 B.M. 1078 on private wk. SL 13th 17' W. of base.
 B.M. 1079 on S. 20 Shadyway, E. of concrete, SL 13th.
 Base = 10' W. of EL of Alley.



NOTE:
 Remove existg alley
 RETURN. Reconstruct
 to new elevations.
 Two center sections of
 alley approach is to remain.



Excavation
 PROP.
 344.3
 +10% 34.4
 378.7 Cu. Yd.

ALLEY
 BETW. WOODLAND & BITTING
 NL SHADYWAY TO SL 13TH
 20' CONC. 6" - SL SHADYWAY TO SL LOT 13 MORGAN ADDN.
 10' CONC. 6" - SL LOT 13, MORGAN ADDN. TO SL 13TH
 CITY OF WICHITA, KANSAS
 B. E. SMITH CITY ENGINEER
 JUNE 1961, PROJ. NO. C10-117

