

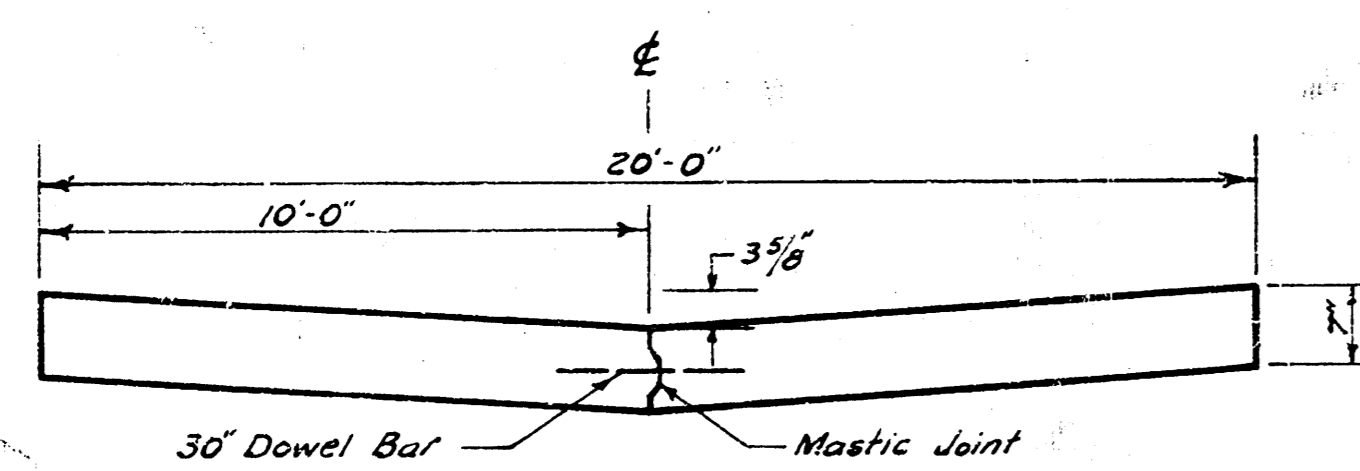
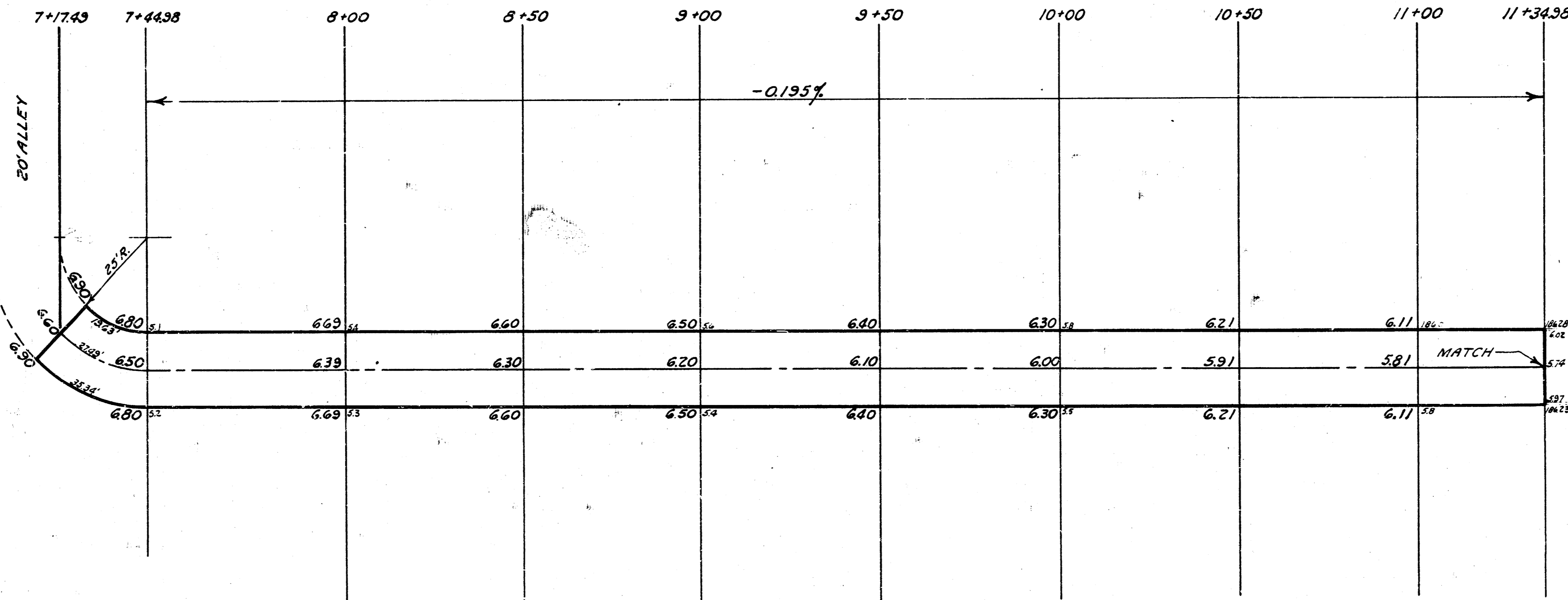
WOODLAWN AVE.

B.M. 192.15 Standard N.W.  
Cor. Central & Woodlawn

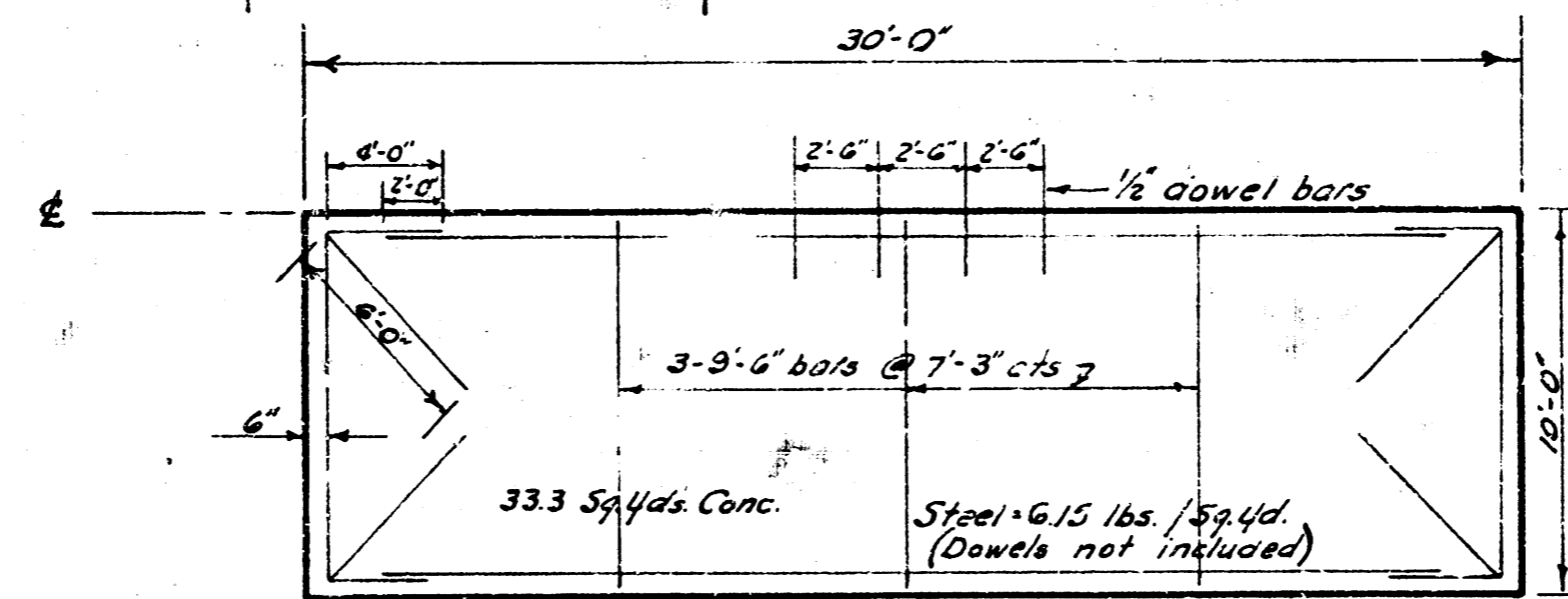
Scale: 1" = 20'

NOTE - FIELD ENGINEER  
Preliminary X-Sections are needed.

	EXC.	COMP. FILL
Cu. Yds.	38	108
FOOT.	4	11
Totals	42	115



TYPICAL SECTION  
No Scale

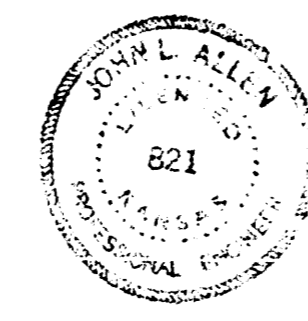


STEEL PATTERN  
No Scale

Note:  
All Reinf Steel to  
be 3/8" bars except  
dowel bars.

ALLEY W. of ST. JAMES PLACE  
E.L. RESERVE A BLOCK A  
CRESTHILL MANOR ADDN.  
to S.L. CENTRAL  
20'-7" Conc. Pavement  
B.E. SMITH CITY ENGINEER  
CITY OF WICHITA KANSAS  
Project No. C12-35

E. Smith  
 City Engineer  
 No. 205  
 City of Wichita  
 Kansas



1/2