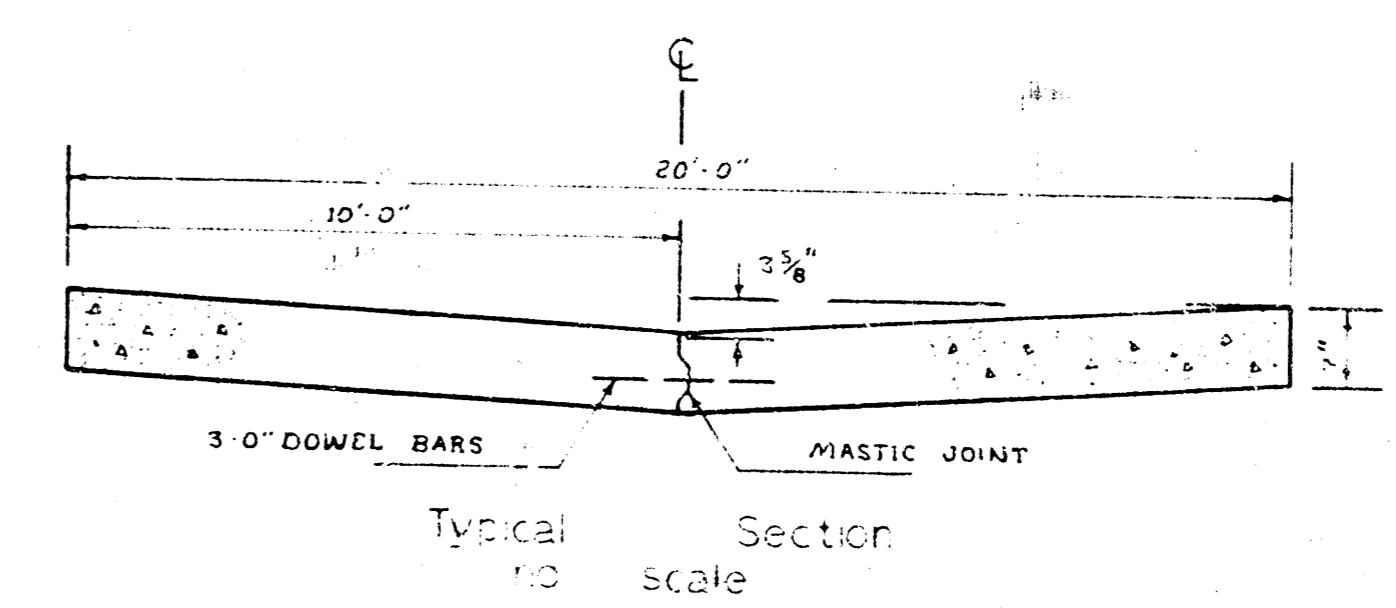
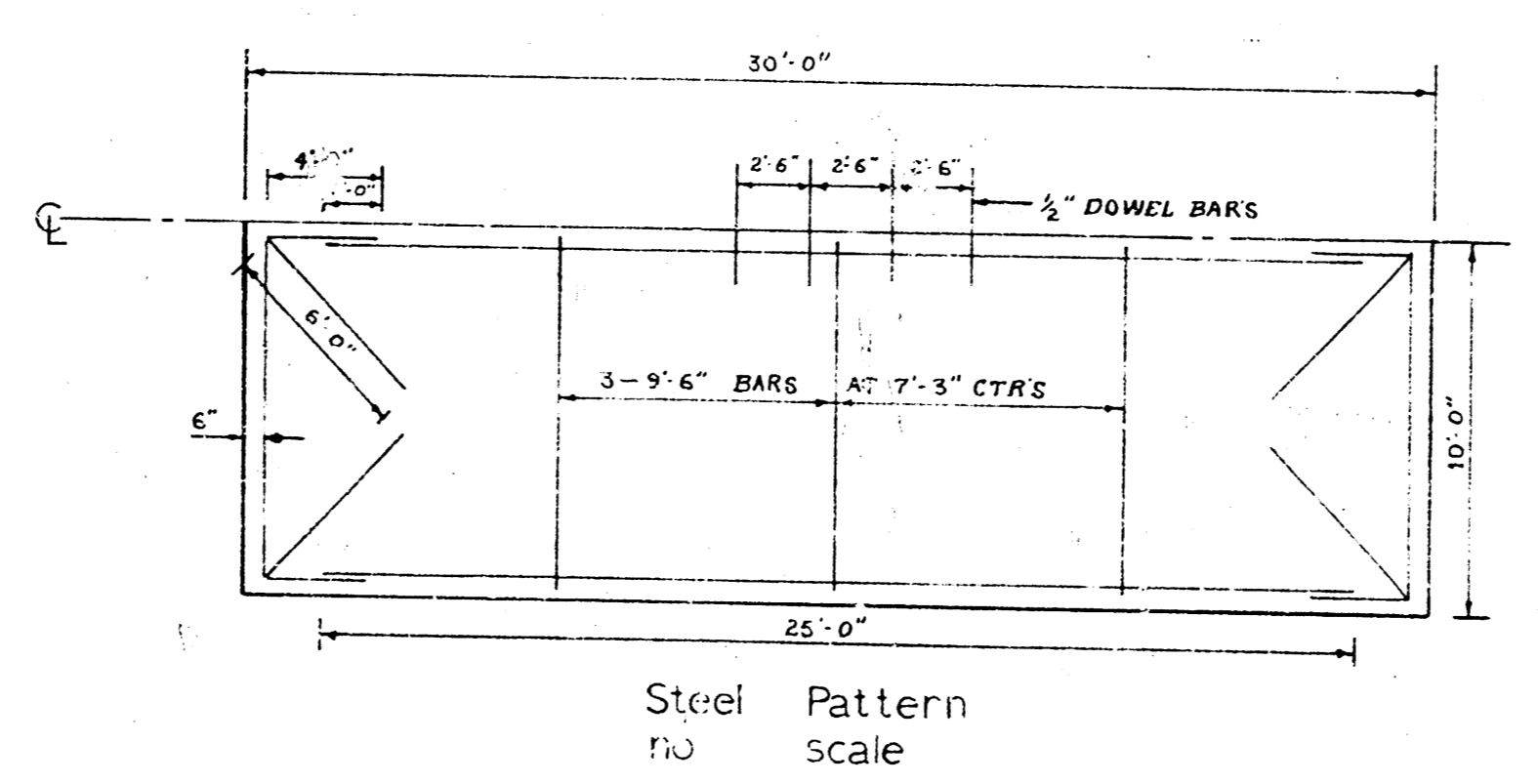


N
Scale 1" = 20'

LIST OF QUANTITIES		FINAL
1,585	Sq yds pavement	1,586.6 SY.
685	Lin feet mastic	7,070 LF.
10,300	Lbs rein steel	10,395 LBS.
44	Lin feet int curb	43.8 LF.

NOTE: Field Eng to cross section prior to construction for earthwork quantities.



ALLEY NORTH OF CENTRAL
 East Line Woodlawn Blvd to East Line Alley East of Woodlawn Blvd.
20'-7" CONC - PAVEMENT
 B.E. SMITH City Engineer
 CITY OF Wichita, Kansas
 DATE: _____ Private Project

Drawing
 Sheet
 105 Y