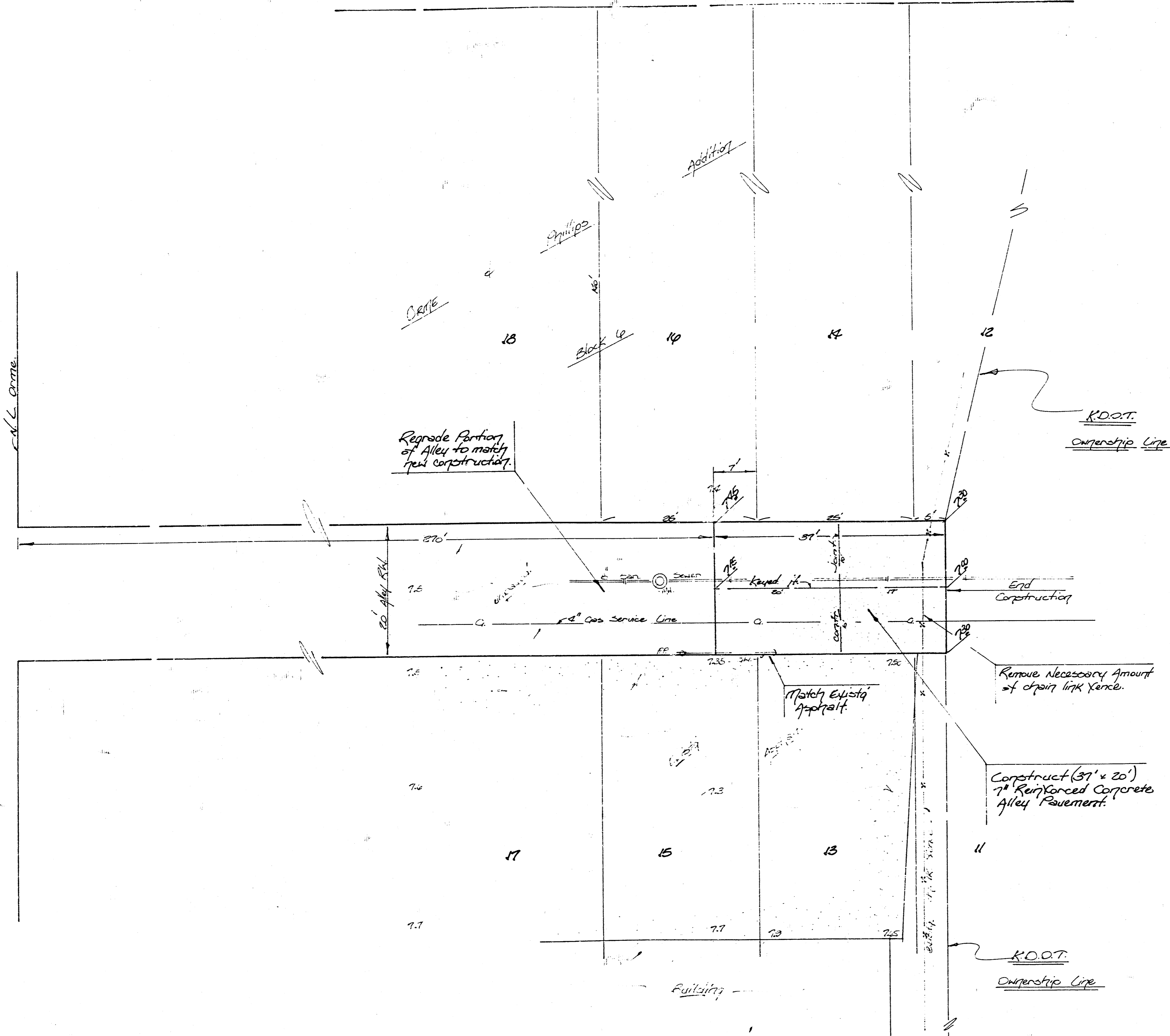
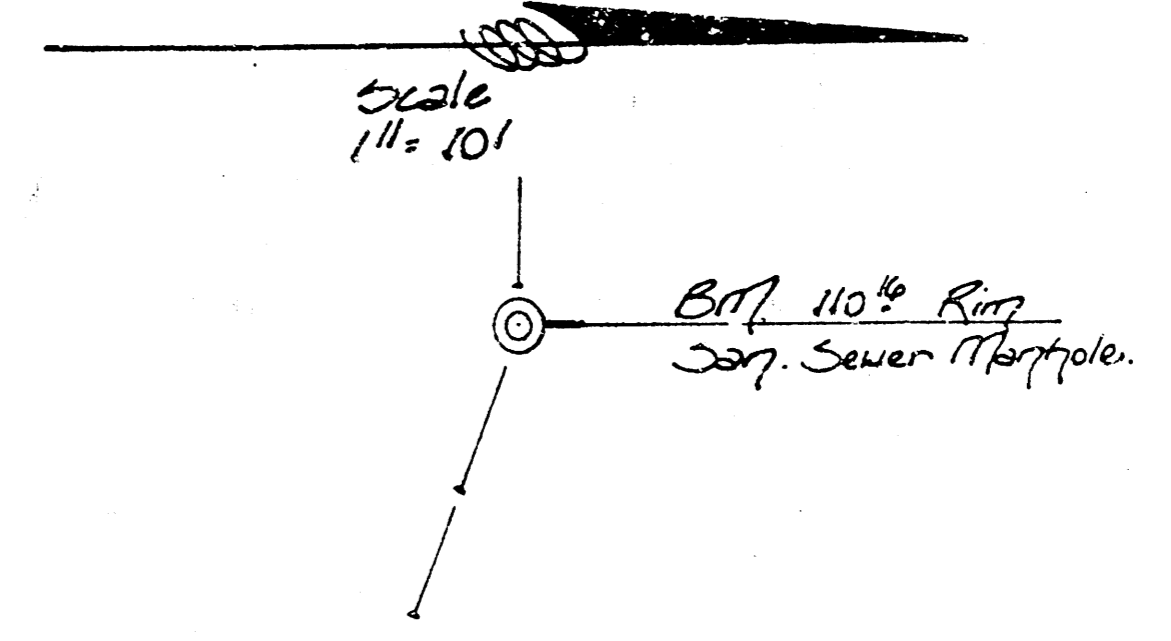


TOPEKA AVE.

STREET

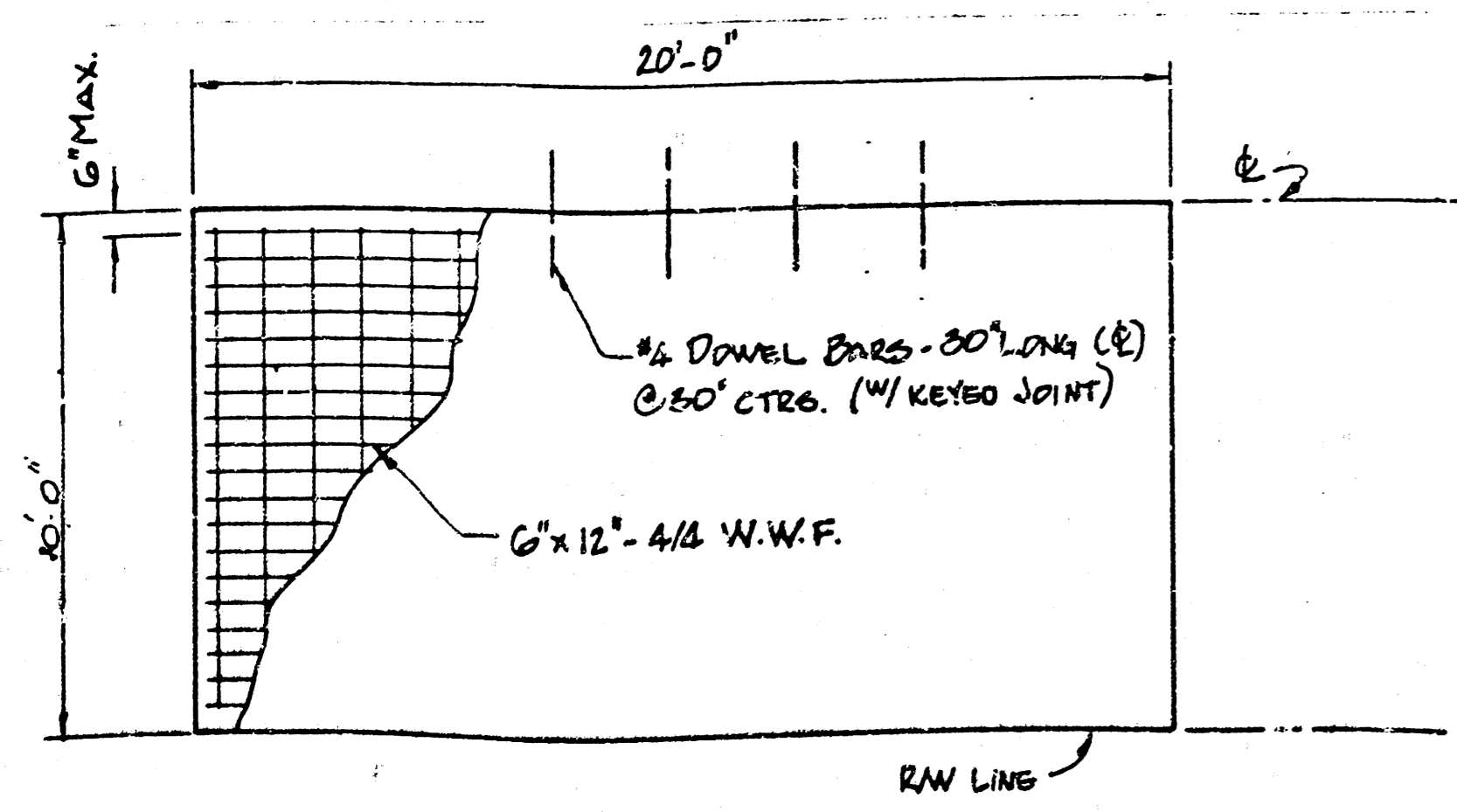
ORME



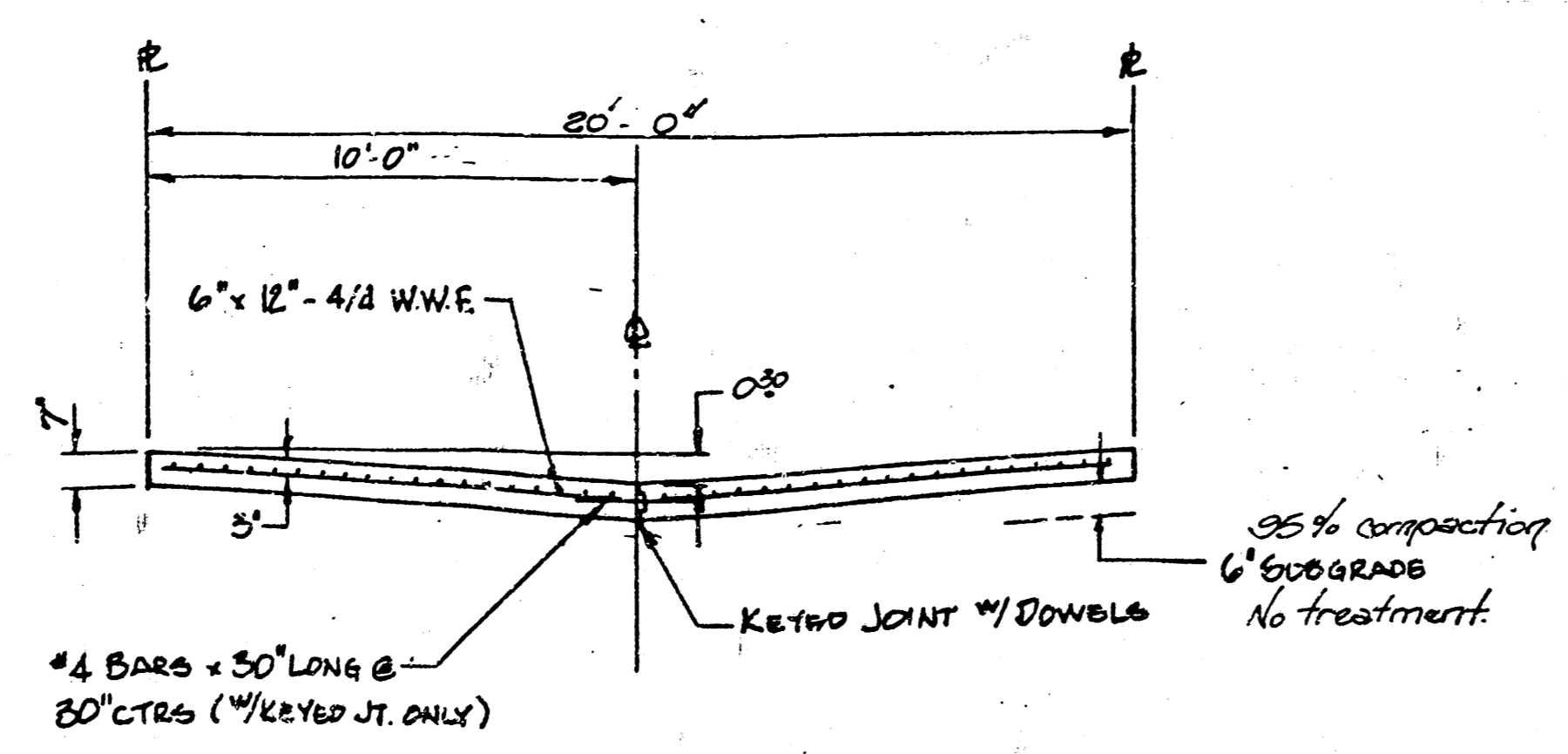
**NOTE TO CONTRACTOR**  
 This project will be constructed under the supervision of the CITY ENGINEER and conforming to the SPECIFICATIONS of the CITY OF WICHITA. The CONTRACTOR will pay the City of Wichita for all costs of inspection.

1-16-84  
 APPROVED AS NOTED  
 PUBLIC ENGINEER OF WICHITA  
 ALLEY PAV'G. J.P.

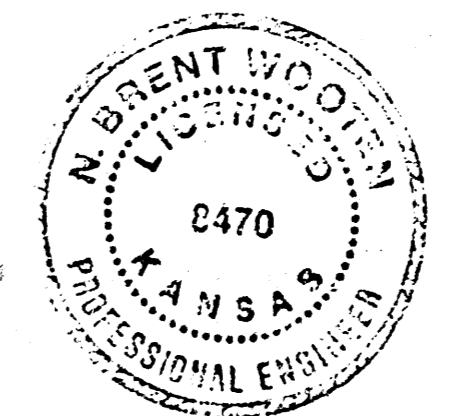
*Note*  
 Contractor to co-ordinate construction w. a separate lot development plan for the adjacent area to the West and North. Concrete Reinforcement to be Wire Mesh Reinforcement 6" x 12" - 4/8 W.W.F.



STEEL PATTERN



TYPICAL SECTION



1/13/84  
 Alley pavement for the alley between Topeka and Emporia beginning 270 feet North of the North line of Orme to 307 feet North of the North line of Orme  
 City of Wichita, Kansas  
 Project No. 472-76-245-80000-000-000-008

**BAUGHMAN COMPANY, P.A.**  
 SURVEYING & ENGINEERING  
 316/262-7271 • 330 LAURA • WICHITA, KANSAS 67211