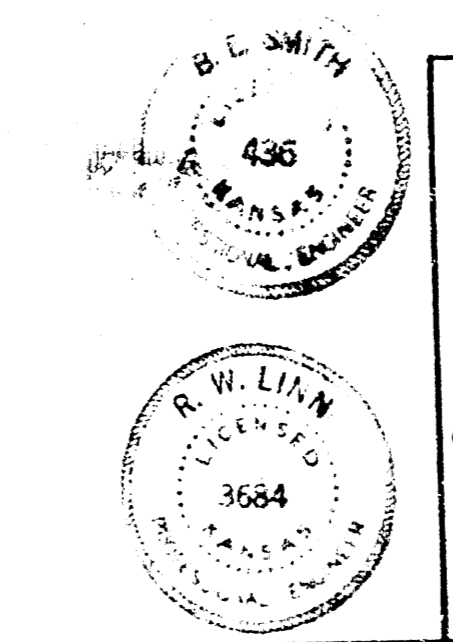
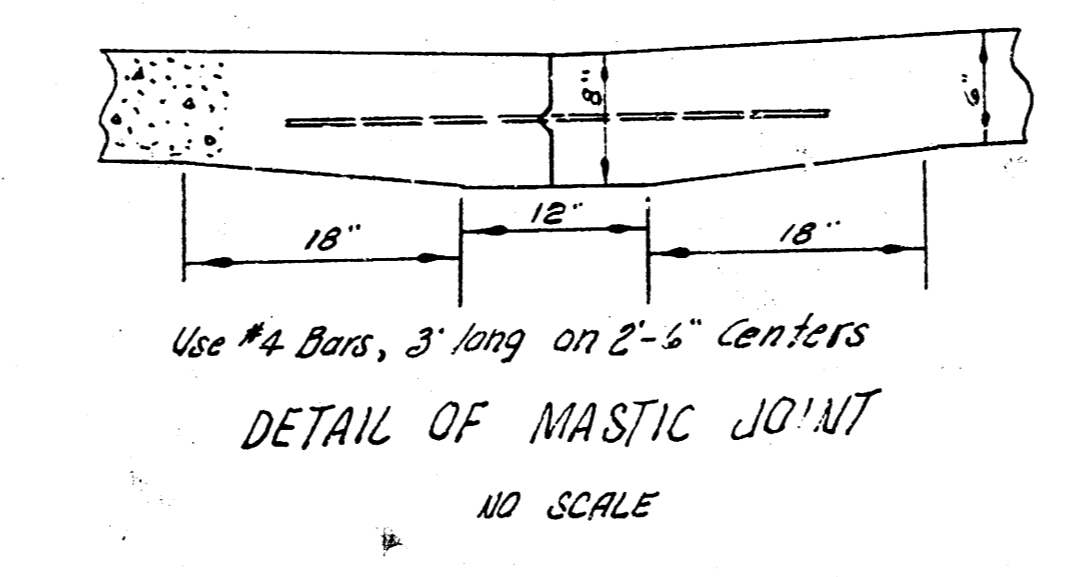
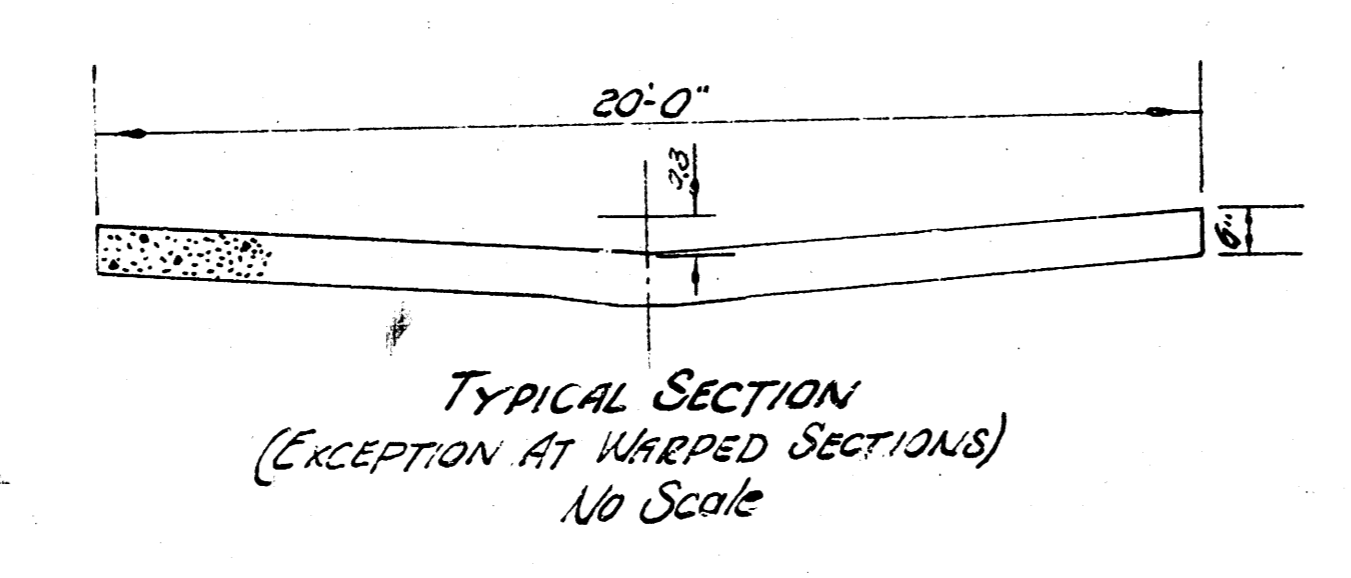
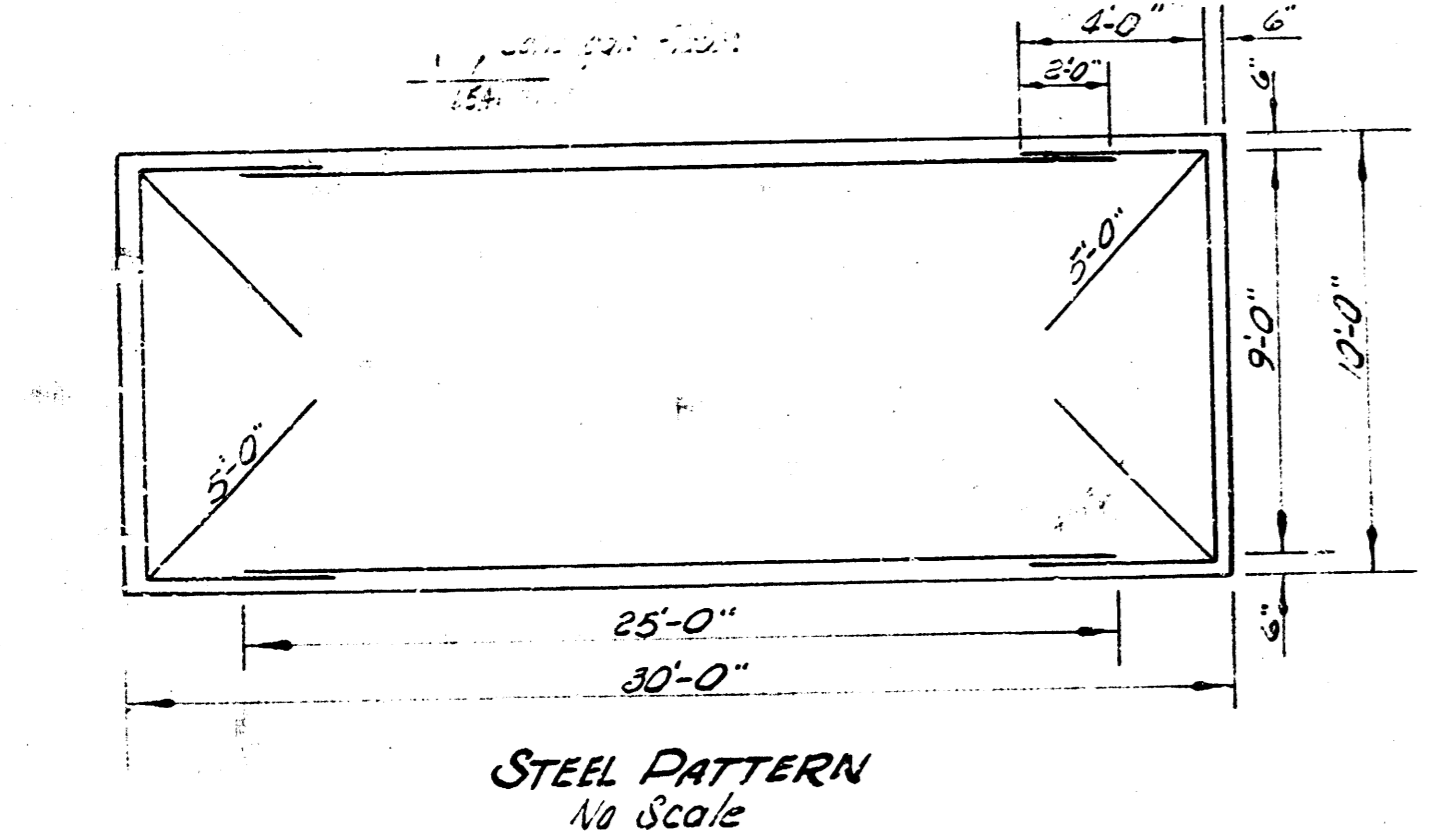
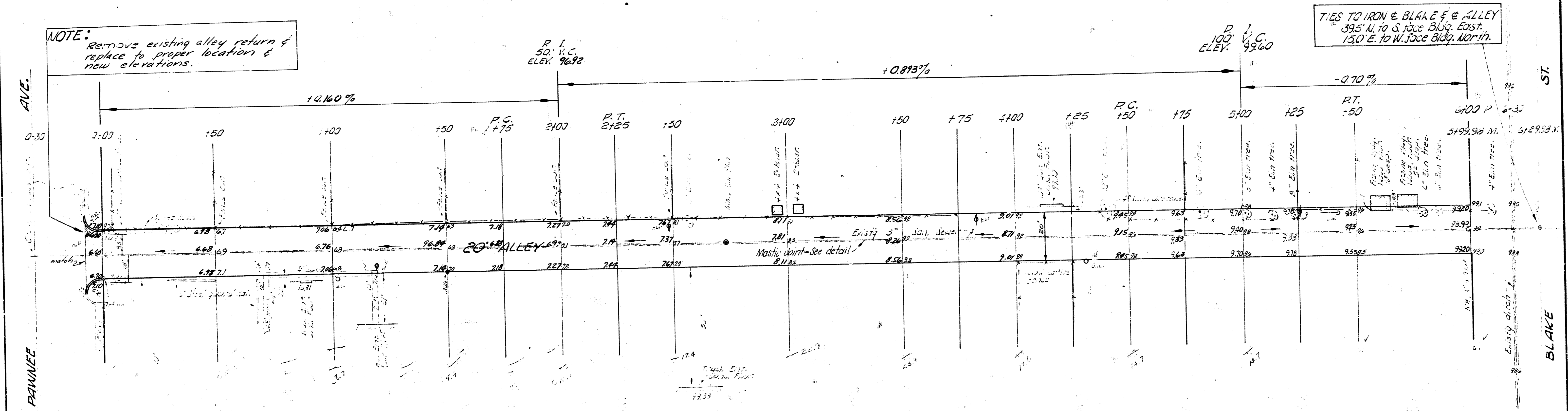


B.M. 97.54 R.R. Spike W.S. H.P. NW Santa Fe & Pawnee.
 B.M. 77.20 R.R. Spike W.S. H.P. NW Blake & Santa Fe.
 Sta. on S-a. mess. 100 ft. of S. Alley.

CITY OF WICHITA
 PROJECT NO. 117-121
 JULY 1958

SCALE 1" = 20'



ALLEY
 BETW. SANTA FE & MEAD
 NW PAWNEE TO S. BLAKE
 20' CONC. 6"
 CITY OF WICHITA, KANS.
 B. E. SMITH CITY ENGINEER
 JULY 1958 PROJ. NO. CIT-121