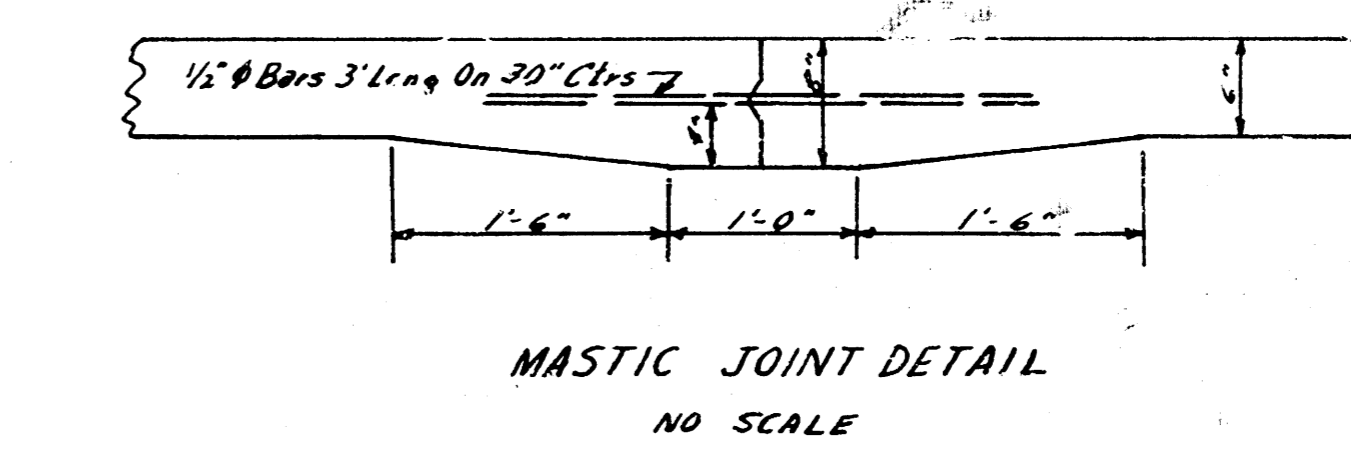
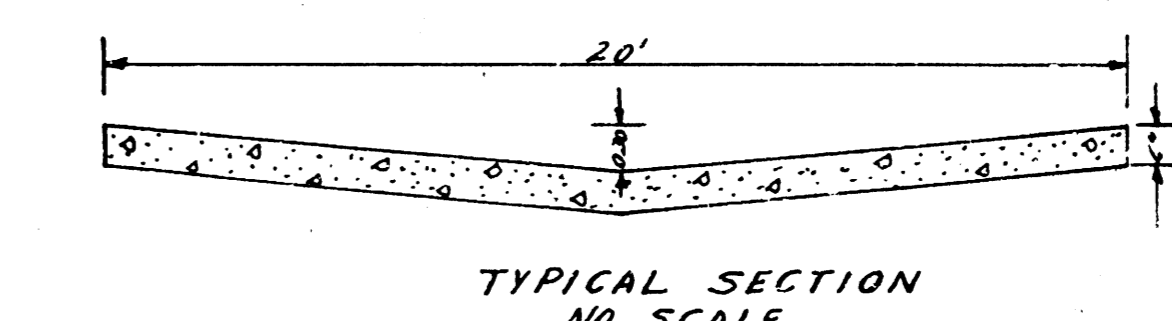
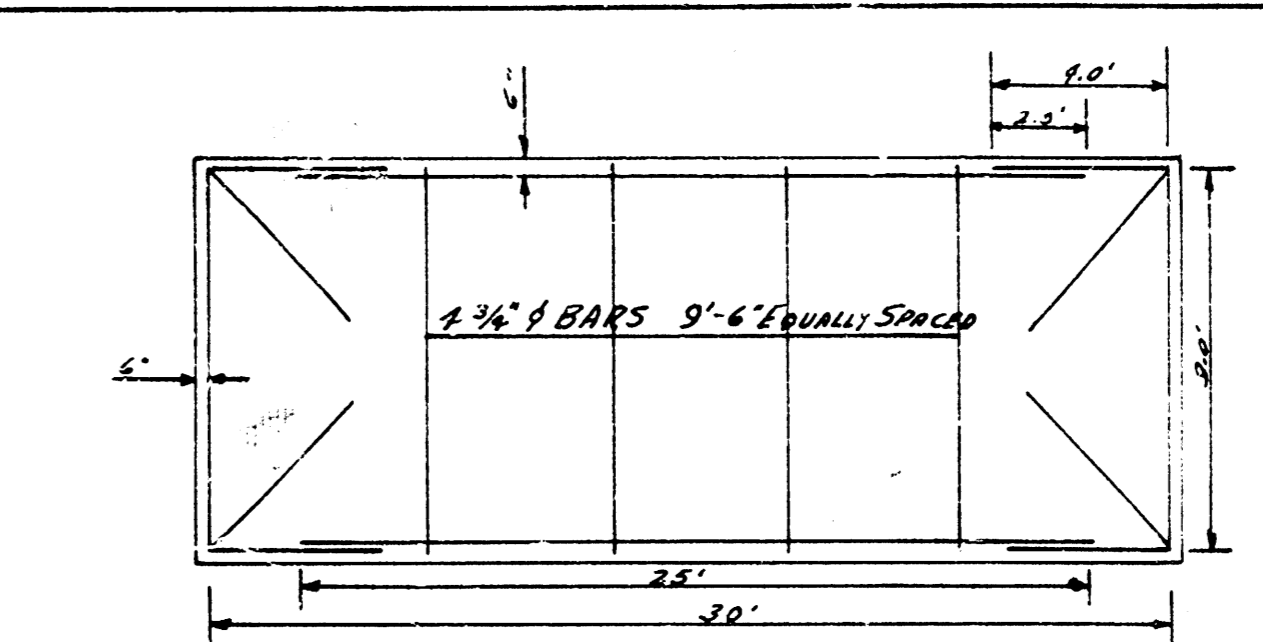
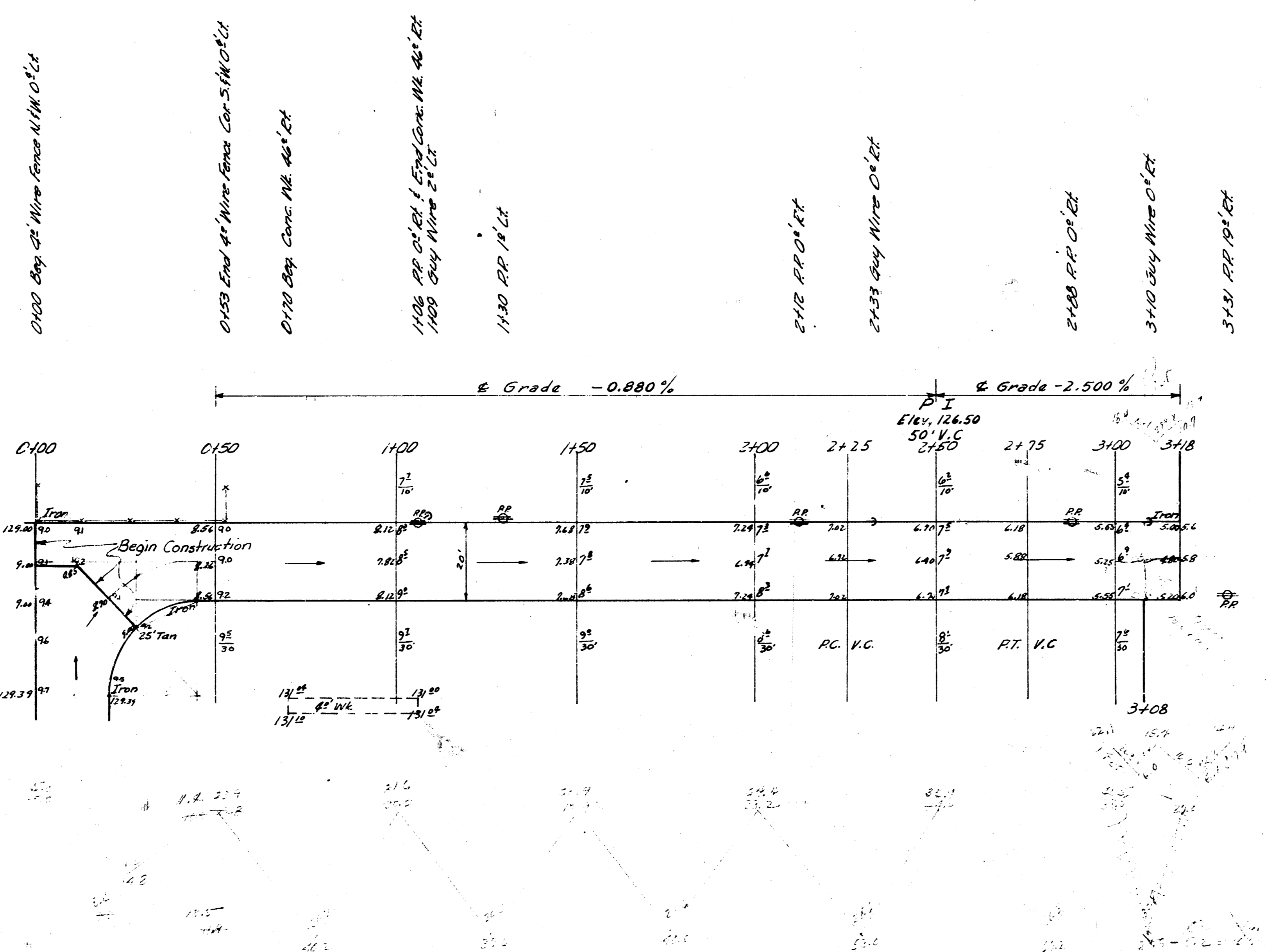


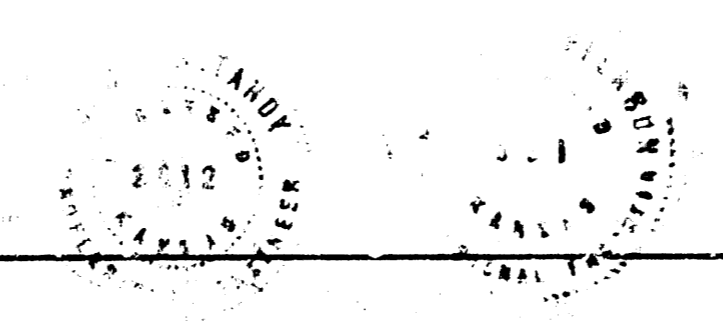
B.M. 123.97 N.W. Cor. S. Hubbard Conc. X Road Culvert on Harry St. E. of Hillside

Chain 14 on W.R.



HARRY

ALLEY EAST OF RUTAN  
S.L. HARRY TO S.L. ALLEY SO. OF HARRY  
6" CONC. 20' WIDE  
CITY OF WICHITA, KANSAS  
B.E. SMITH CITY ENGINEER  
JUNE 1957 PROJ. NO. C13-253



1. 11/15/57  
 2. 11/15/57  
 3. 11/15/57  
 4. 11/15/57  
 5. 11/15/57  
 6. 11/15/57  
 7. 11/15/57  
 8. 11/15/57  
 9. 11/15/57  
 10. 11/15/57  
 11. 11/15/57  
 12. 11/15/57  
 13. 11/15/57  
 14. 11/15/57  
 15. 11/15/57  
 16. 11/15/57  
 17. 11/15/57  
 18. 11/15/57  
 19. 11/15/57  
 20. 11/15/57  
 21. 11/15/57  
 22. 11/15/57  
 23. 11/15/57  
 24. 11/15/57  
 25. 11/15/57  
 26. 11/15/57  
 27. 11/15/57  
 28. 11/15/57  
 29. 11/15/57  
 30. 11/15/57  
 31. 11/15/57  
 32. 11/15/57  
 33. 11/15/57  
 34. 11/15/57  
 35. 11/15/57  
 36. 11/15/57  
 37. 11/15/57  
 38. 11/15/57  
 39. 11/15/57  
 40. 11/15/57  
 41. 11/15/57  
 42. 11/15/57  
 43. 11/15/57  
 44. 11/15/57  
 45. 11/15/57  
 46. 11/15/57  
 47. 11/15/57  
 48. 11/15/57  
 49. 11/15/57  
 50. 11/15/57  
 51. 11/15/57  
 52. 11/15/57  
 53. 11/15/57  
 54. 11/15/57  
 55. 11/15/57  
 56. 11/15/57  
 57. 11/15/57  
 58. 11/15/57  
 59. 11/15/57  
 60. 11/15/57  
 61. 11/15/57  
 62. 11/15/57  
 63. 11/15/57  
 64. 11/15/57  
 65. 11/15/57  
 66. 11/15/57  
 67. 11/15/57  
 68. 11/15/57  
 69. 11/15/57  
 70. 11/15/57  
 71. 11/15/57  
 72. 11/15/57  
 73. 11/15/57  
 74. 11/15/57  
 75. 11/15/57  
 76. 11/15/57  
 77. 11/15/57  
 78. 11/15/57  
 79. 11/15/57  
 80. 11/15/57  
 81. 11/15/57  
 82. 11/15/57  
 83. 11/15/57  
 84. 11/15/57  
 85. 11/15/57  
 86. 11/15/57  
 87. 11/15/57  
 88. 11/15/57  
 89. 11/15/57  
 90. 11/15/57  
 91. 11/15/57  
 92. 11/15/57  
 93. 11/15/57  
 94. 11/15/57  
 95. 11/15/57  
 96. 11/15/57  
 97. 11/15/57  
 98. 11/15/57  
 99. 11/15/57  
 100. 11/15/57