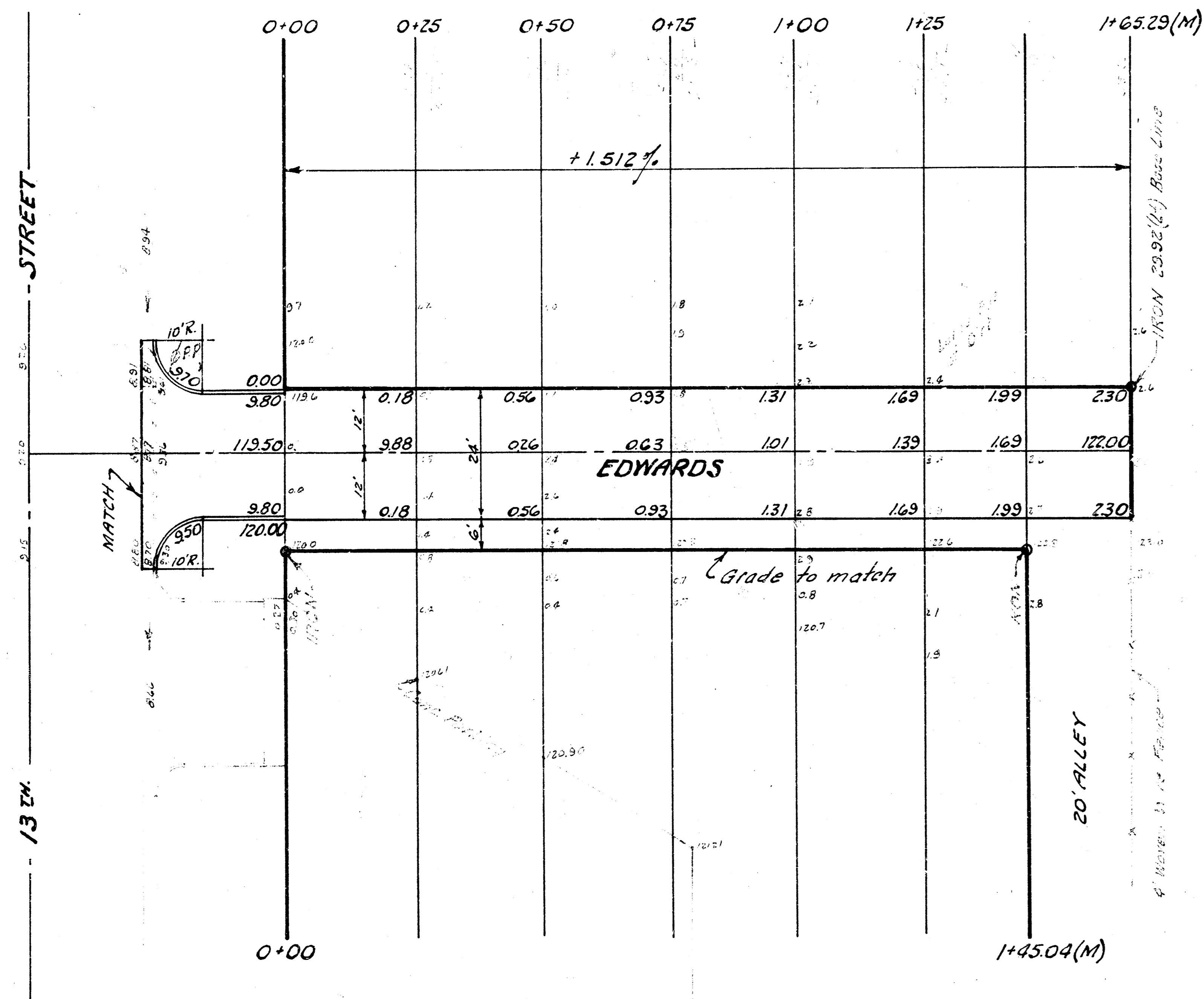
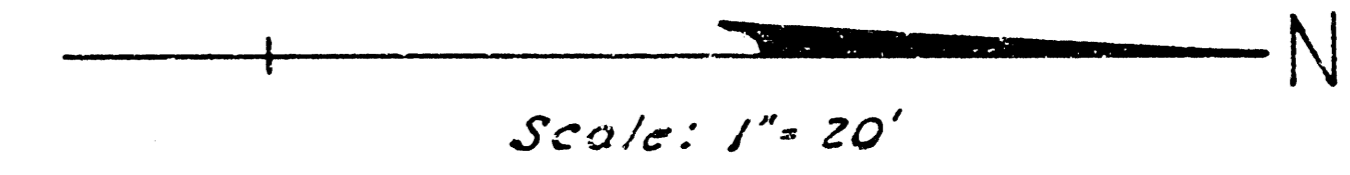


B.M. 118.34 City Standard  
S.E. corner 13<sup>th</sup> & Meridian

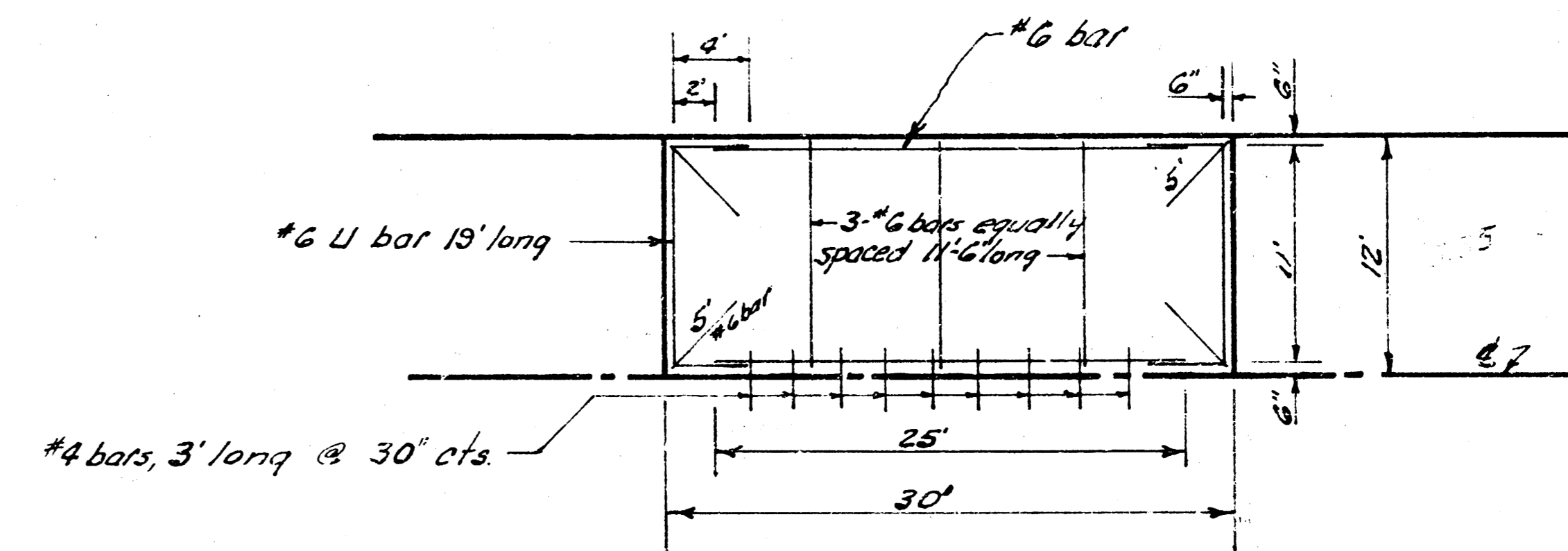
B.M. 120.23 "a" cut on S.W. corner conc. base  
to flood light, N.L. 13<sup>th</sup> & 9' E. of E.L. Edwards.



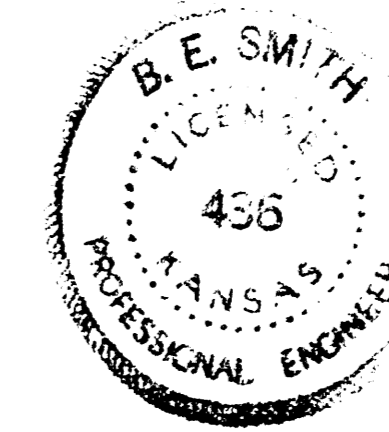
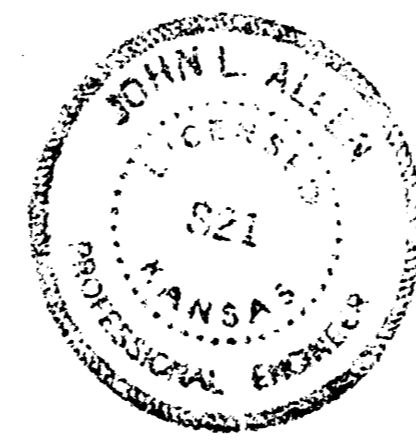
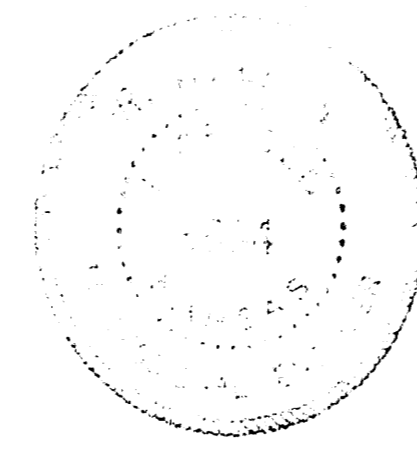
**ESTIMATED QUANTITIES**

- 525 Sq. Yds. 7" Conc. Pavement
- 65' Lin. Ft. Reinf. Int. Curb
- 194' Lin. Ft. Mastic Joint
- 2965' Lbs. Reinf. Steel
- 311 Cu. Yds. Excavation
- 45' Lin. Ft. Comb. Curb & Gutter Removed
- 10' Lin. Ft. Fence Removed

**NOTE TO CONTRACTOR**  
This project will be constructed under the supervision of the CITY ENGINEER and according to the SPECIFICATIONS of the CITY OF WICHITA. The CONTRACTOR will reimburse the City of Wichita for all cost of Engineering, Plans, and Inspection.



**REINF. STEEL PATTERN**



EDWARDS STREET from N.L. 13<sup>th</sup> St.  
to N.L. Alley N. of 13<sup>th</sup>.

24'-7" Concrete  
CITY OF WICHITA, KANS. B.E. SMITH CITY ENGINEER  
Private Job