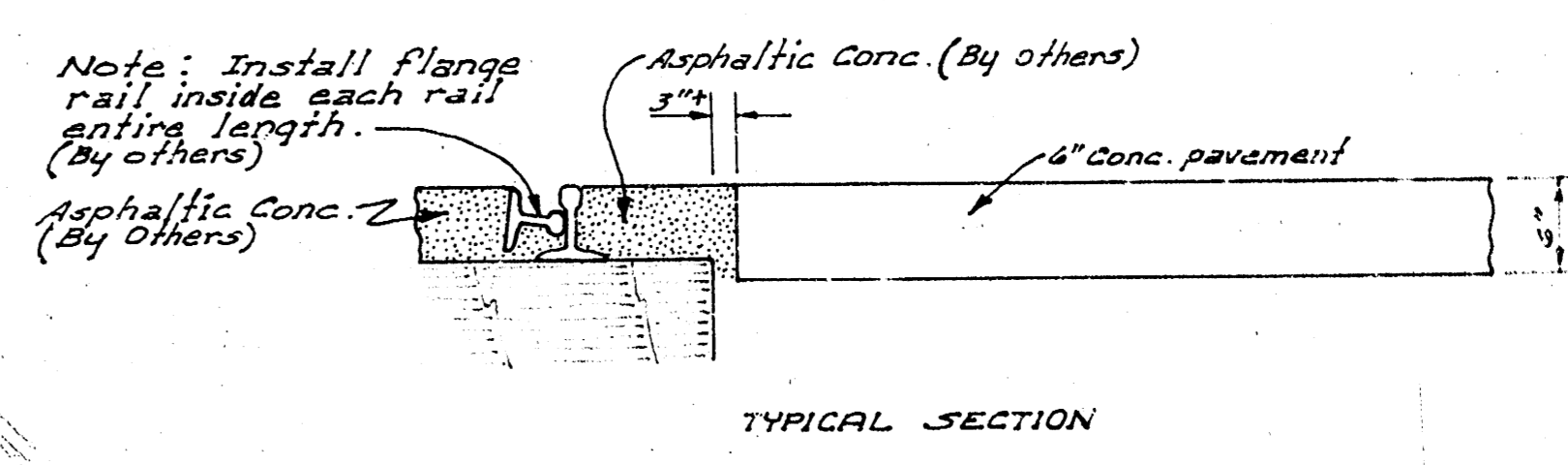
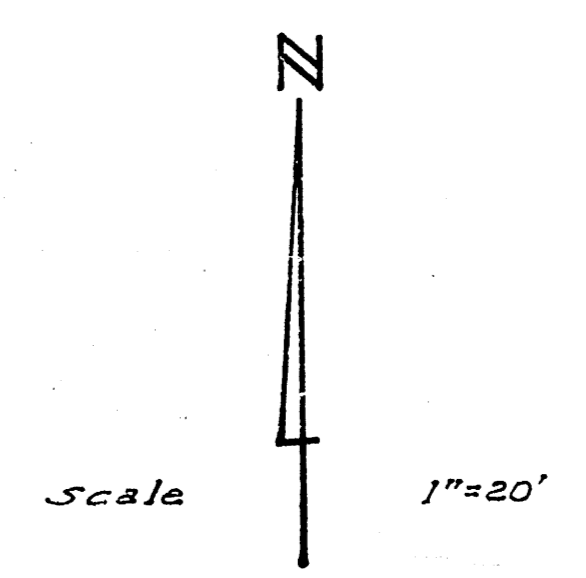
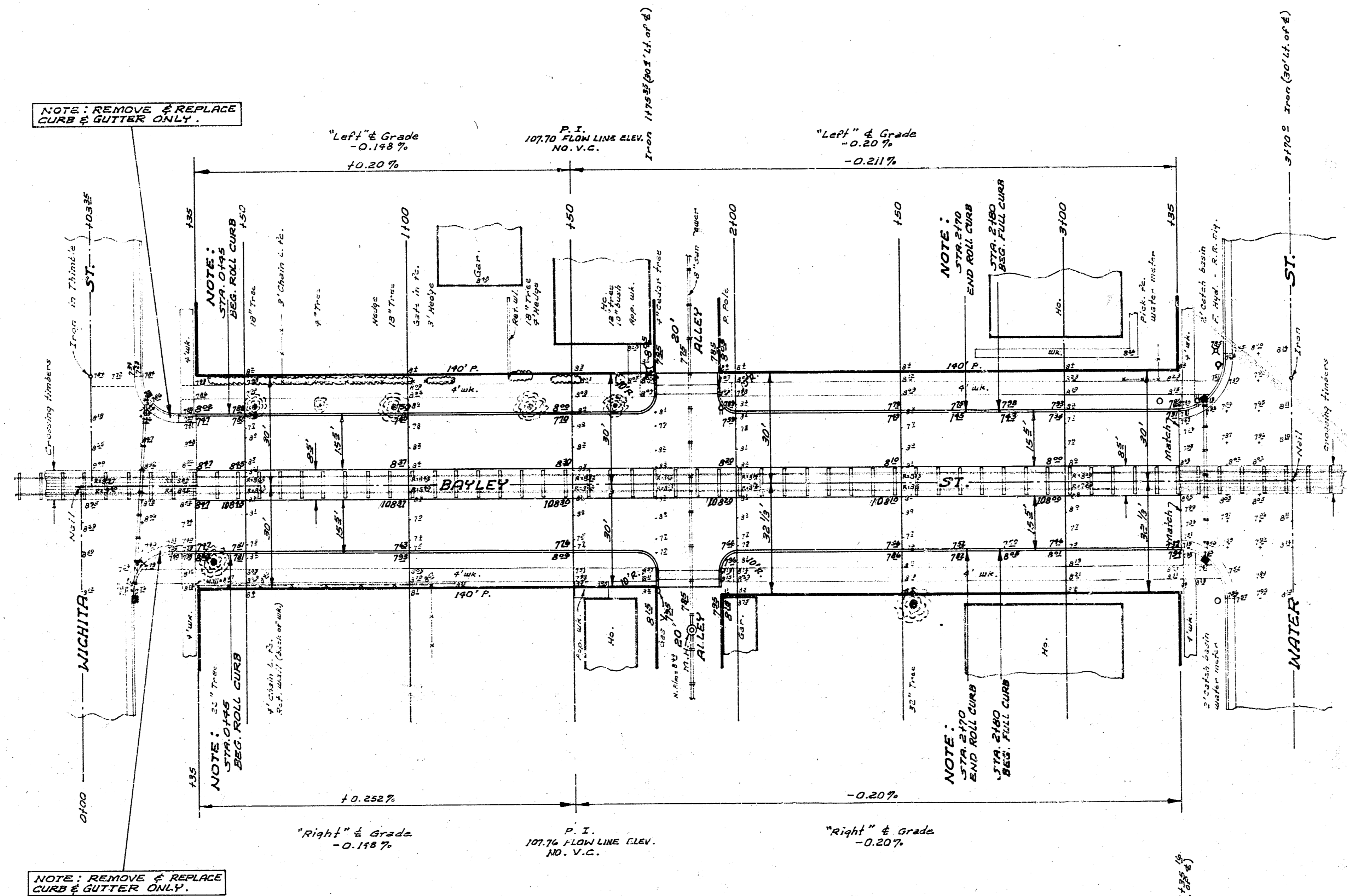


Survey: J. Martin Book J.C.G.#12
 Plan: D. Crumer
 Enc. " " "
 Checked: [Signature]

B.M. 108.62 R.R. Spike E. Side Light & P. Pole N.W. Cor. Bayley & Wichita
 B.M. 110.12 "M" In Mueller on Fire Hyd. N.W. cor. Bayley & Water



Note: R.R. Track between the E. line of Wichita St. & the W. line of Water St. to be adjusted to proposed pavement grades by the R.R. Co. The intersection of Wichita is to be ranased by the City of Wichita Maintenance Dept. & the R.R. Co.

PROPERTY		CITY	
EXCAVATION	COMP. FILL	EXCAVATION	COMP. FILL
224 Cu. Yds.	10 Cu. Yds.	16 Cu. Yds.	2 Cu. Yds.
110%	1	110%	2
TOTAL 246 Cu. Yds.	11 Cu. Yds.	TOTAL 18 Cu. Yds.	

BAYLEY ST. East Line of Wichita St. To The West Line of Water St.
 Conc. Pavement, 15' on Ea. Sid. of Track, 6" Thk., w/ Int. Curb
 CITY OF WICHITA, KANSAS PROJ. NO. DAKS871007
 R.W. LINN, CITY ENGINEER
 DATE: JULY, 1971