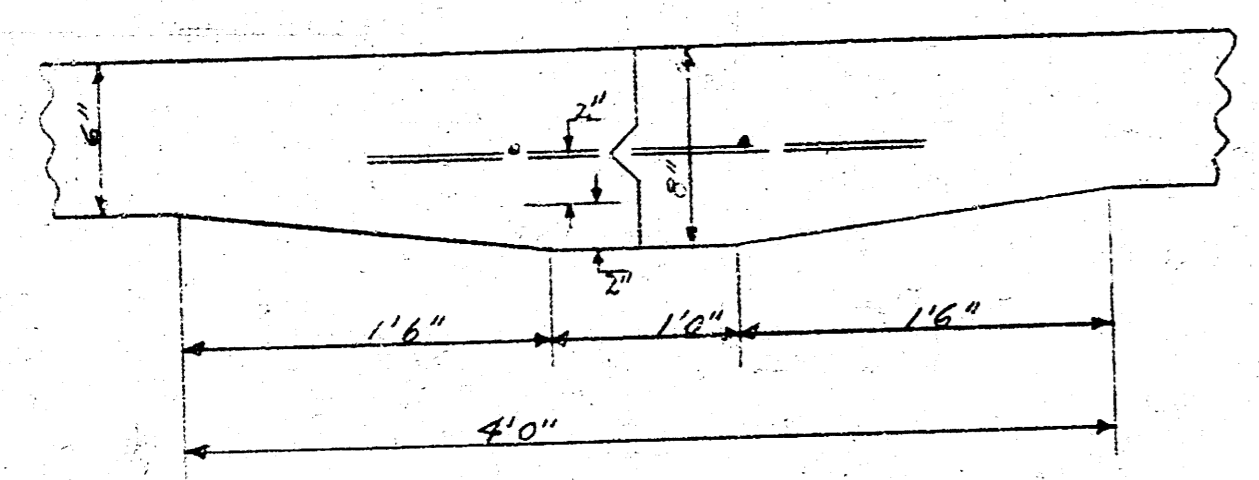
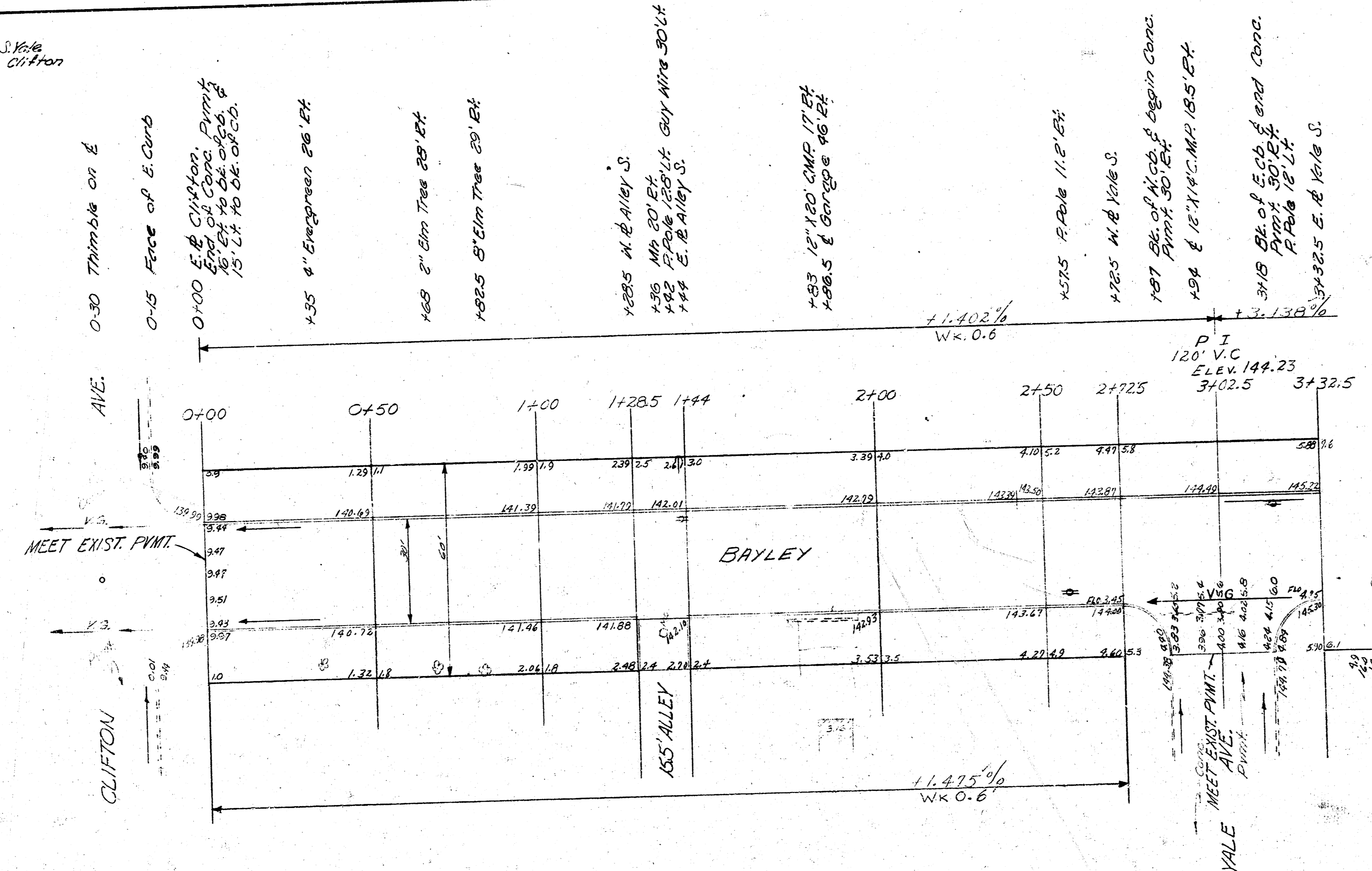


B.M. 145.06 N.E. 2nd Conc. Paved House # 1001 S. 16th
 S.M. 135.95 5" in GLOBE, E. and S.E. Ret. Bayley & Clifton

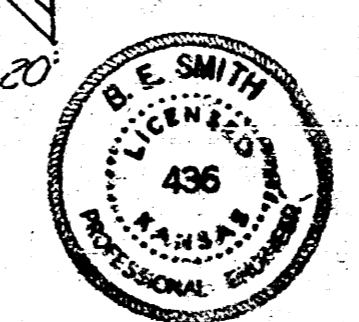
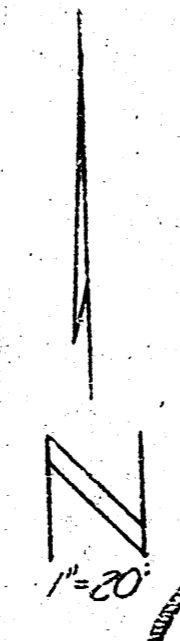
Stationing on E

Surveyed by
 Plan Checked by
 Checked by



CITY
 116.9
 11.2
 128.6 Cu. yds cut

PROPERTY
 667.9
 66.2
 727.9 Cu. yds cut



12

BAYLEY STREET
 E.L. CLIFTON AVE. TO E.L. VALE AVE.
 30' CONC. & CB.

CITY OF WICHITA, KANSAS

B.E. SMITH
 May 1955

CITY ENGINEER
 Proj. No. 013-20