

Note to Field Engineer:
Establish Ties to Iron at Hillside
& Ninth Prior to Pavement Removal.

Remove existing R.C.B. & Construct
2-80' x 5.0' x 1140' R.C.B. (80°)

B.M. 147.42 NW corner conc. base to flood
light pole, S.E. corner Hillside & Ninth.

DOUBLE-REINFORCED-CONCRETE
8' x 5' BOX CULVERT

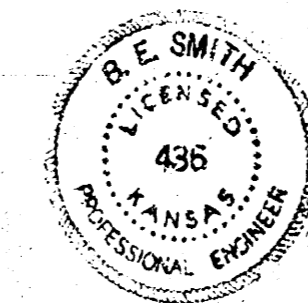
9 TH ST. & HILLSIDE

CITY OF WICHITA, KANSAS

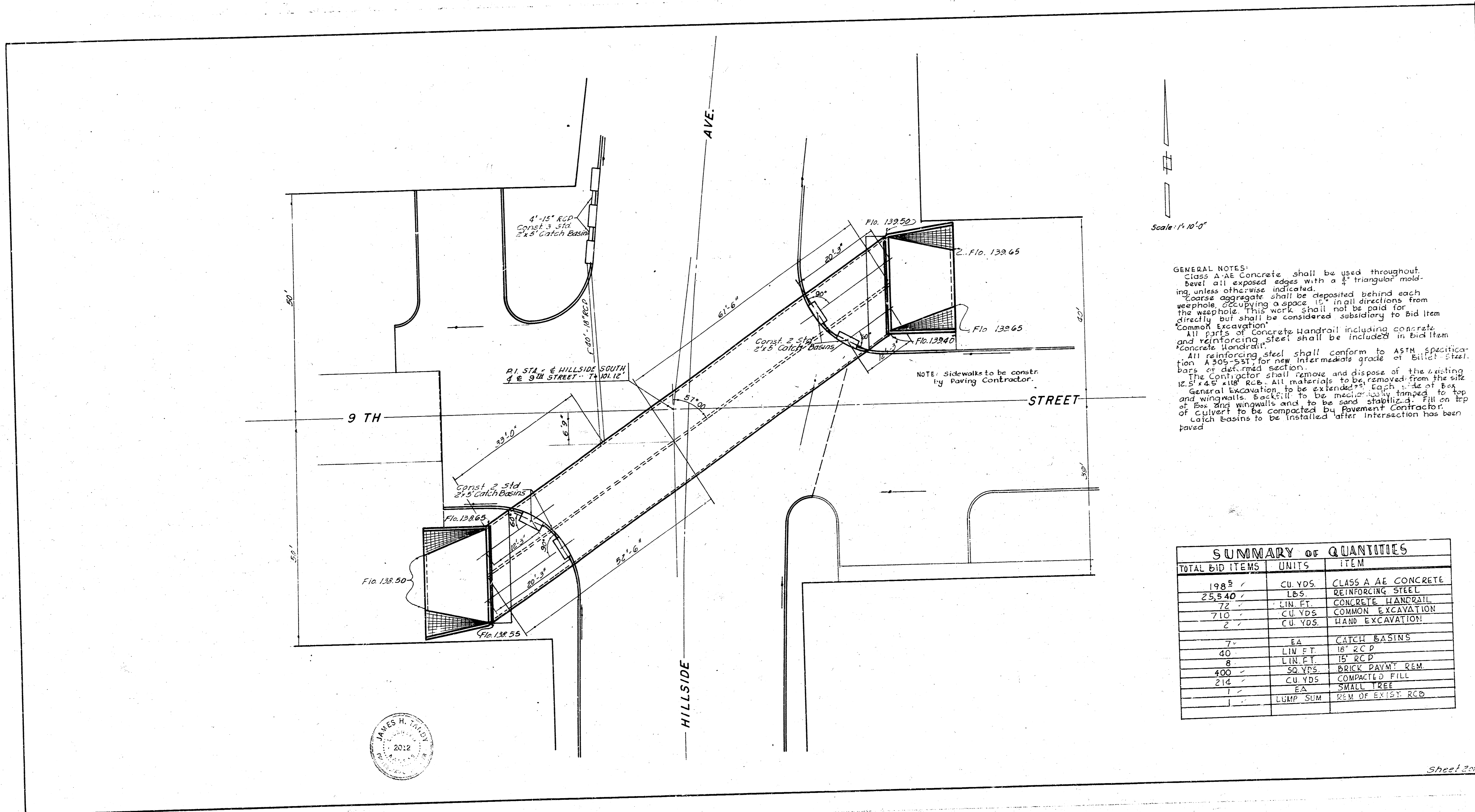
S. E. SMITH CITY ENGINEER

DATE: DEC. 1950. PROJ. NO. C10-33

DESIGNED BY: Fogge	CHECKED BY: Tanty	SURVEY: Glanz	SHEET: 1 of 7
-----------------------	----------------------	------------------	------------------



Top Manhole El. 145.51
R.L. El. of Pipe N. 132.10
R.L. El. of Pipe W. 151.77
R.L. El. of Pipe N.E. 142.64
R.L. El. of Pipe E. 140.27
R.L. El. of Pipe S. 136.30



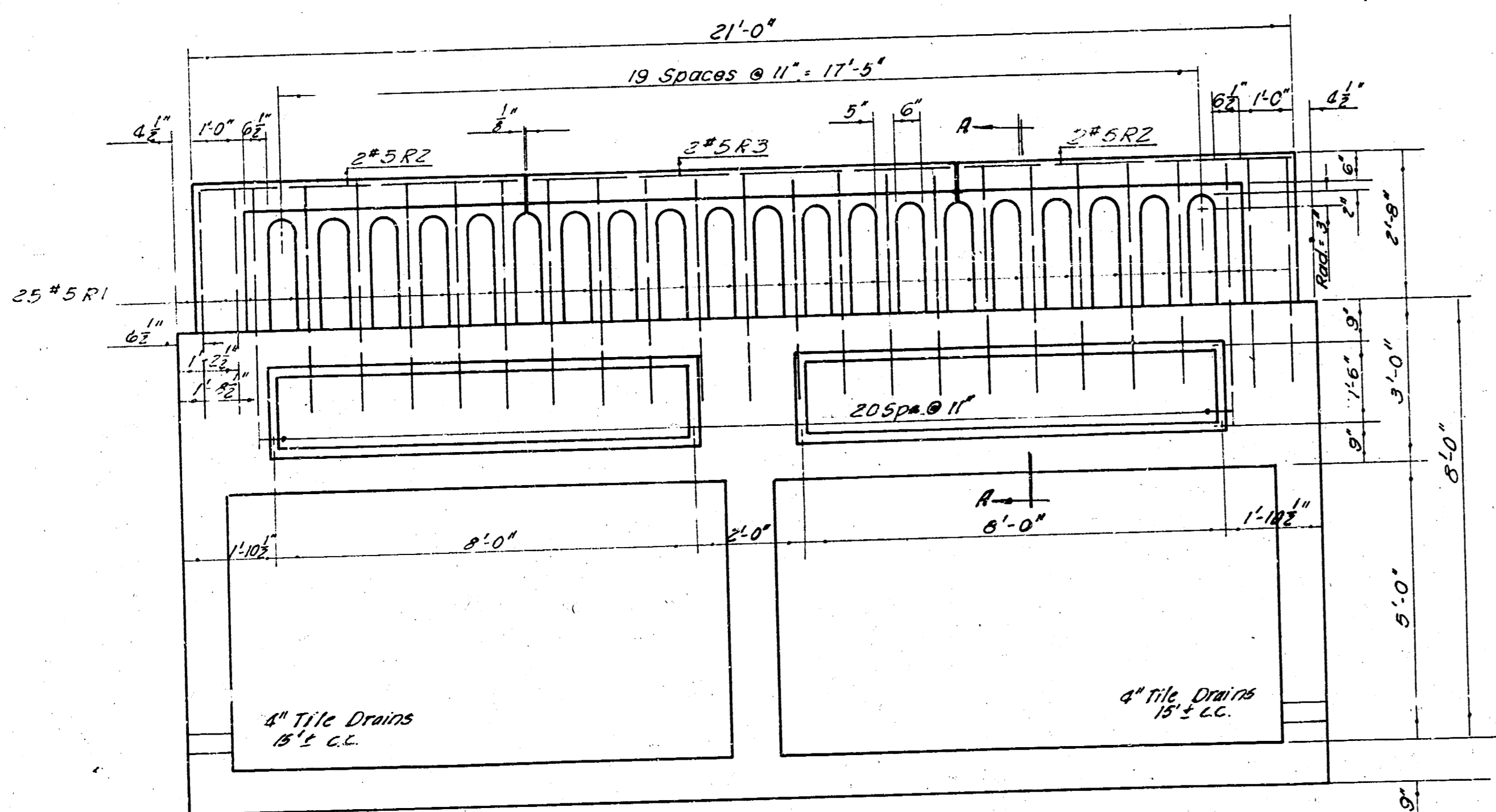
Scale: 1" = 10' 0"

GENERAL NOTES:
 Class A-AE Concrete shall be used throughout.
 Base: all exposed edges with a 3/8" triangular mold-
 ing unless otherwise indicated.
 Coarse aggregate shall be deposited behind each
 weephole, occupying a space 15" in all directions from
 the weephole. This work shall not be paid for
 directly but shall be considered subsidiary to Bid Item
 Common Excavation.
 All parts of Concrete Handrail including concrete
 and reinforcing steel shall be included in Bid Item
 Concrete Handrail.
 All reinforcing steel shall conform to ASTM specifica-
 tion A 305-551 for new intermediate grade of Billet Steel,
 bars or deformed section.
 The Contractor shall remove and dispose of the existing
 12" x 45" x 18" box. All materials to be removed from the site
 General Excavation to be extended 2' each side of box
 and wingwalls. Backfill to be mechanically tamped to top
 of culvert to be compacted by Pavement Contractor.
 Catch basins to be installed after intersection has been
 paved.

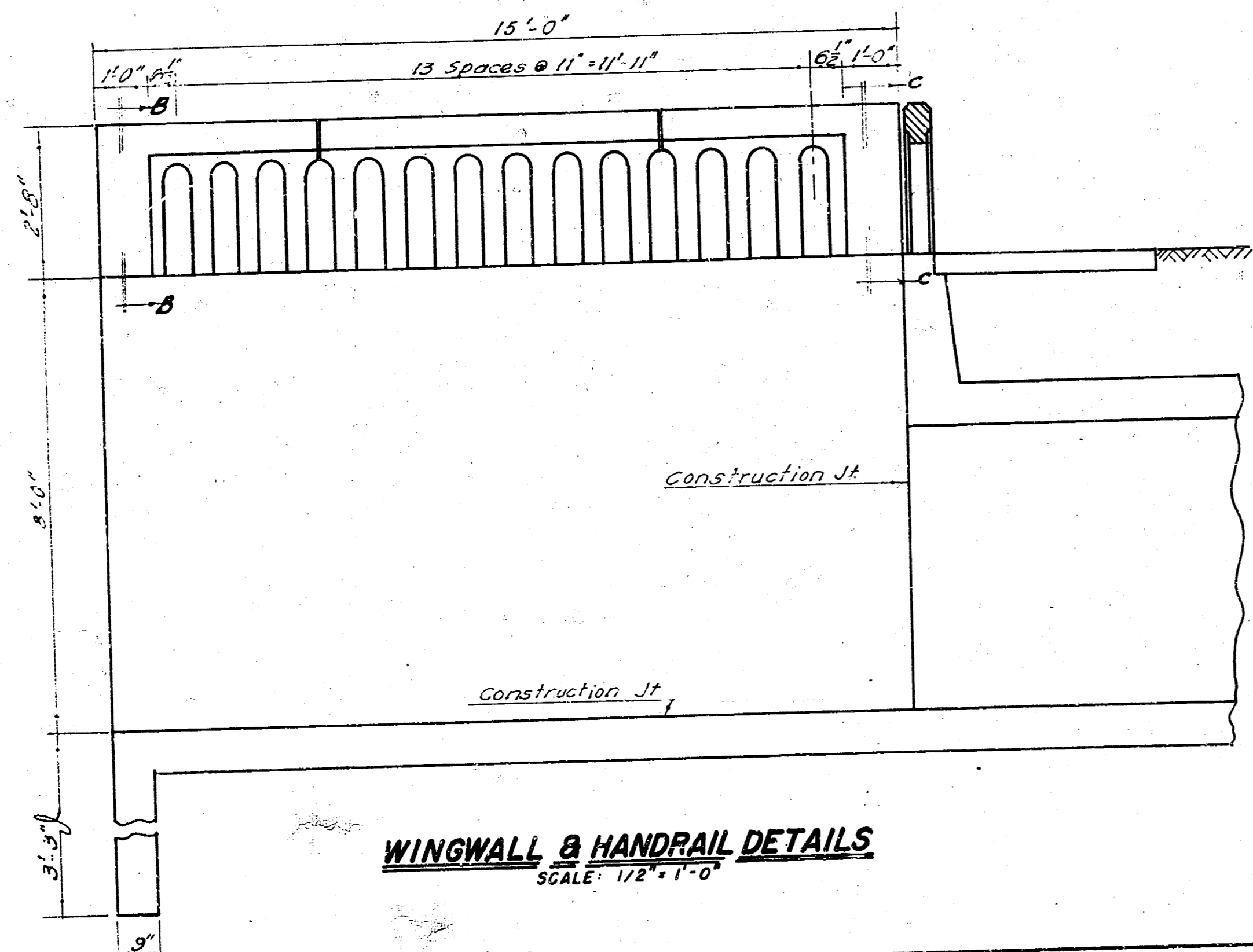
SUMMARY OF QUANTITIES		
TOTAL BID ITEMS	UNITS	ITEM
198 3/4	CU. YDS.	CLASS A-AE CONCRETE
25,540	LBS.	REINFORCING STEEL
72	LIN. FT.	CONCRETE HANDRAIL
710	CU. YDS.	COMMON EXCAVATION
2	CU. YDS.	HAND EXCAVATION
7	EA.	CATCH BASINS
40	LIN. FT.	18" R.C.P.
8	LIN. FT.	15" R.C.P.
400	CU. YDS.	BRICK PAVEMENT REM.
214	CU. YDS.	COMPACTED FILL
1	EA.	SMALL TREE
J	LUMP SUM	REM. OF EXIST. R.C.P.



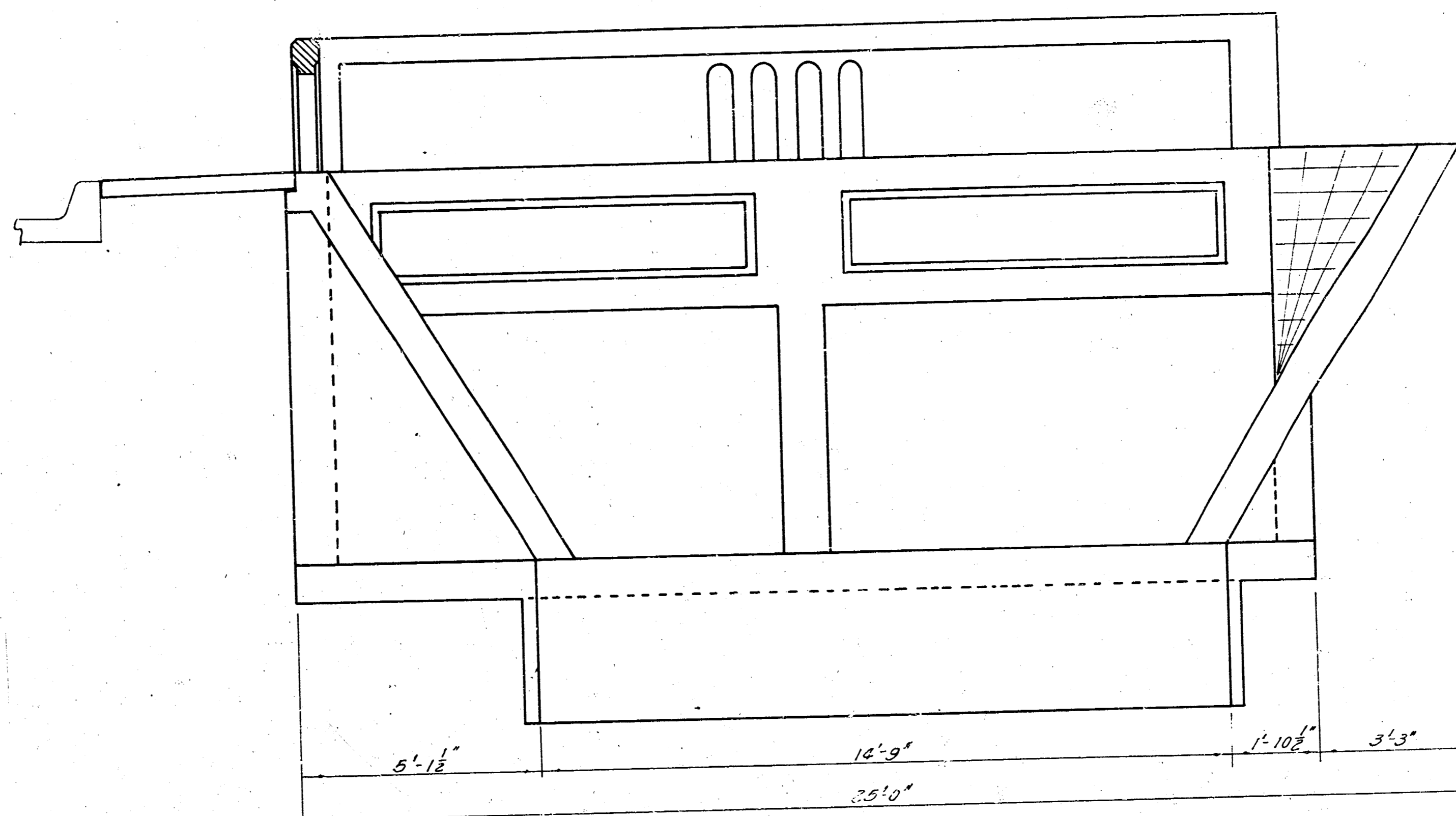
Sheet 2 of 2



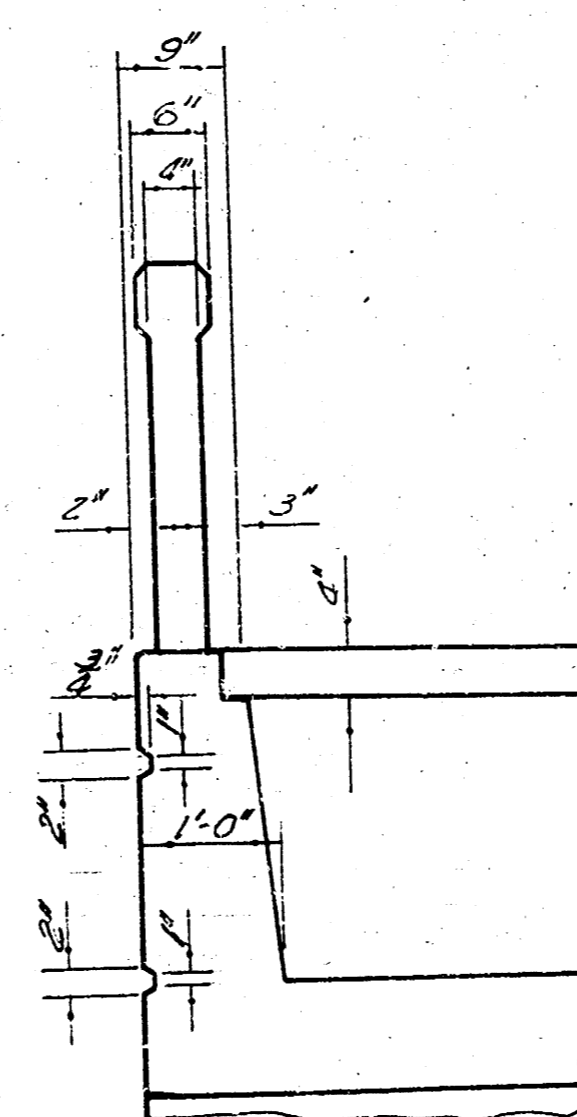
PARAPET FACE & HANDRAIL DETAILS
SCALE: 1/2" = 1'-0"



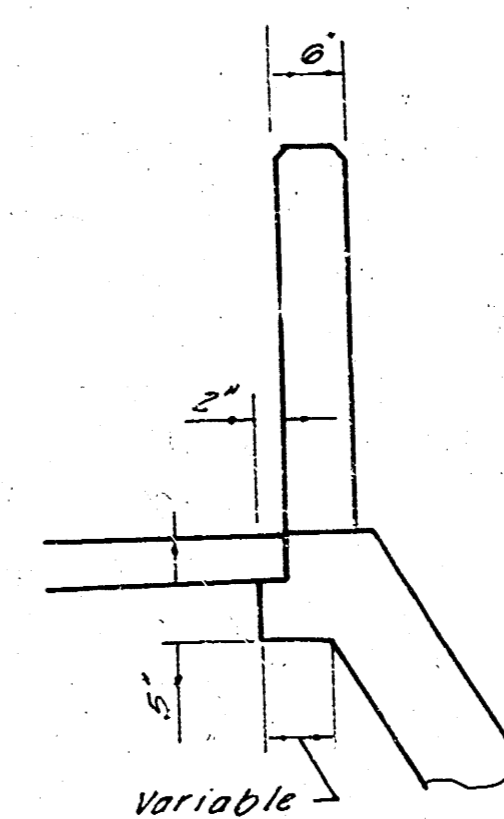
WINGWALL & HANDRAIL DETAILS
SCALE: 1/2" = 1'-0"



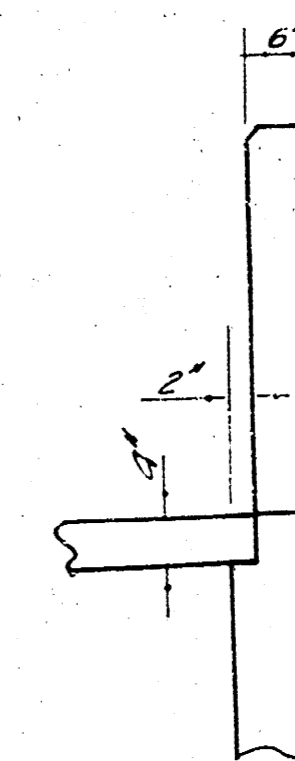
END ELEVATION
SCALE: 1/2" = 1'-0"



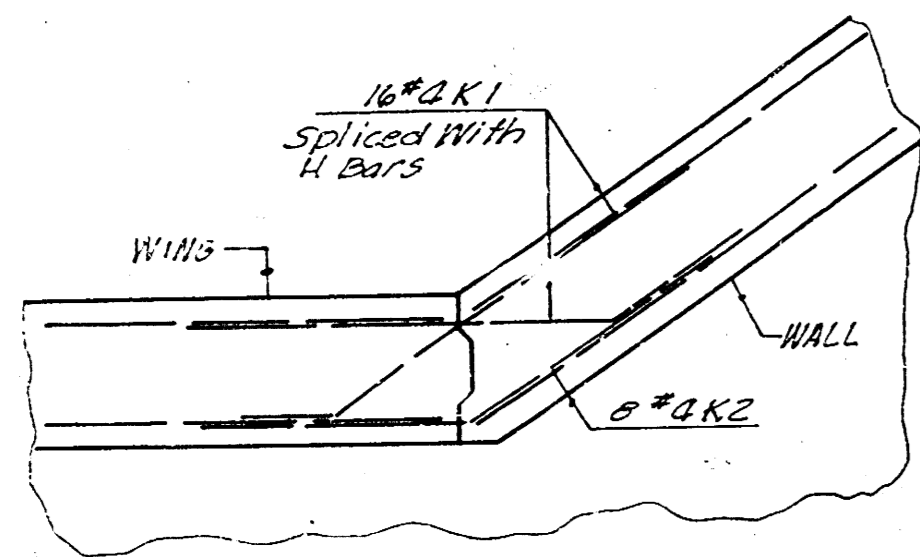
SECTION A-A
SCALE: 3/4" = 1'-0"



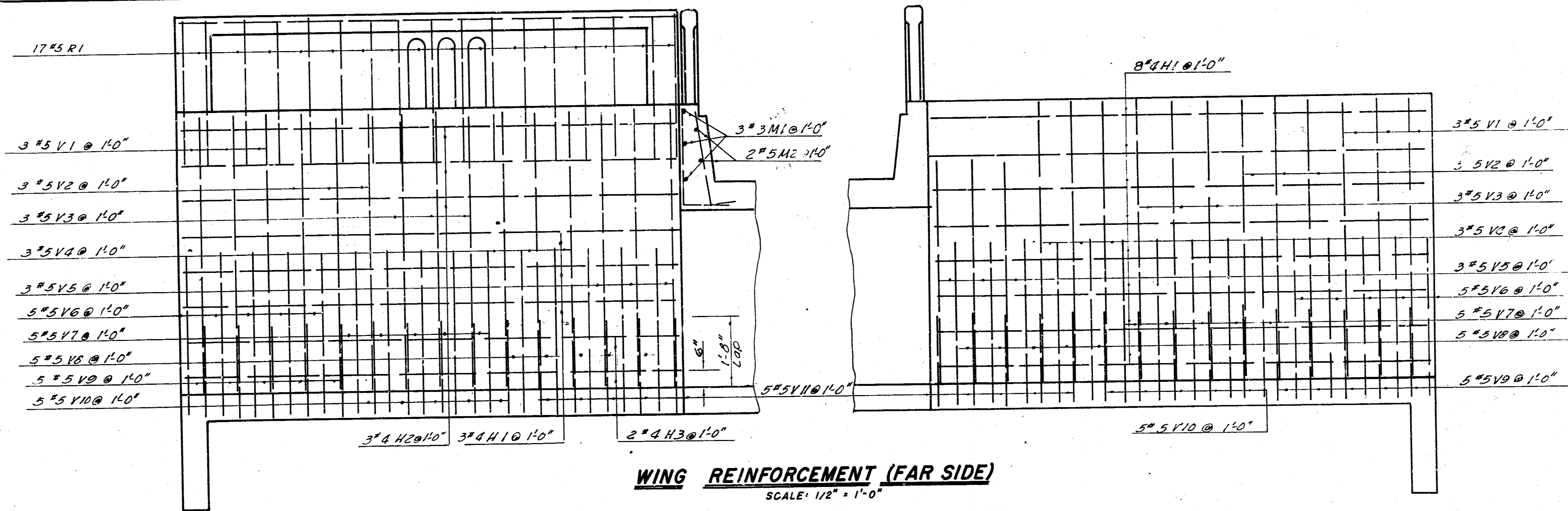
SECTION B-B
SCALE: 3/4" = 1'-0"



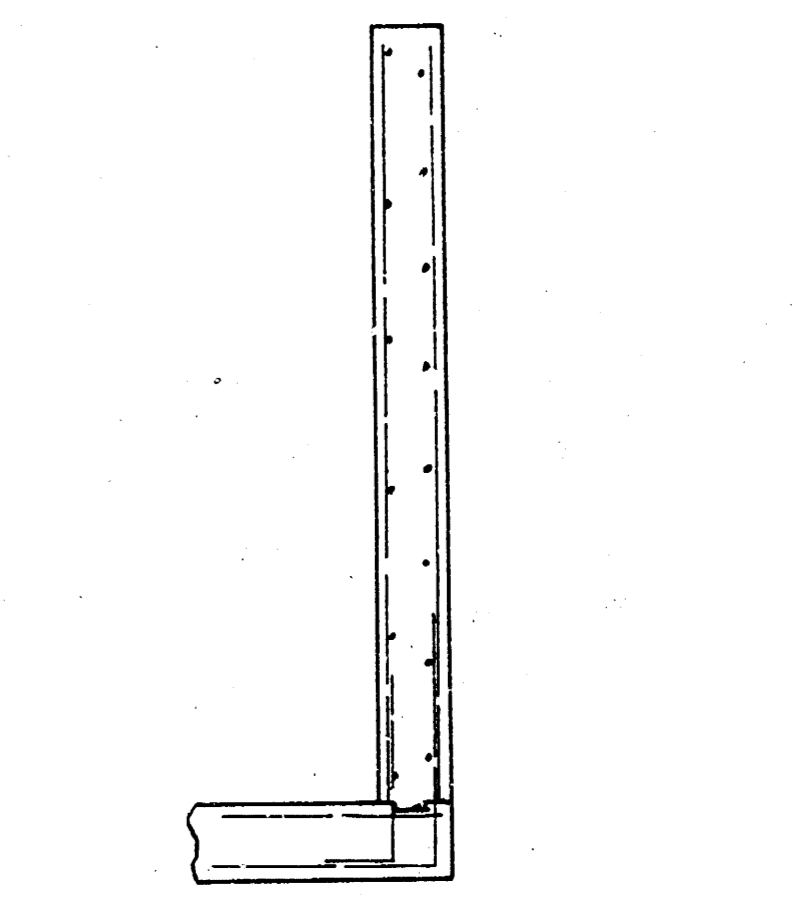
SECTION C-C
SCALE: 3/4" = 1'-0"



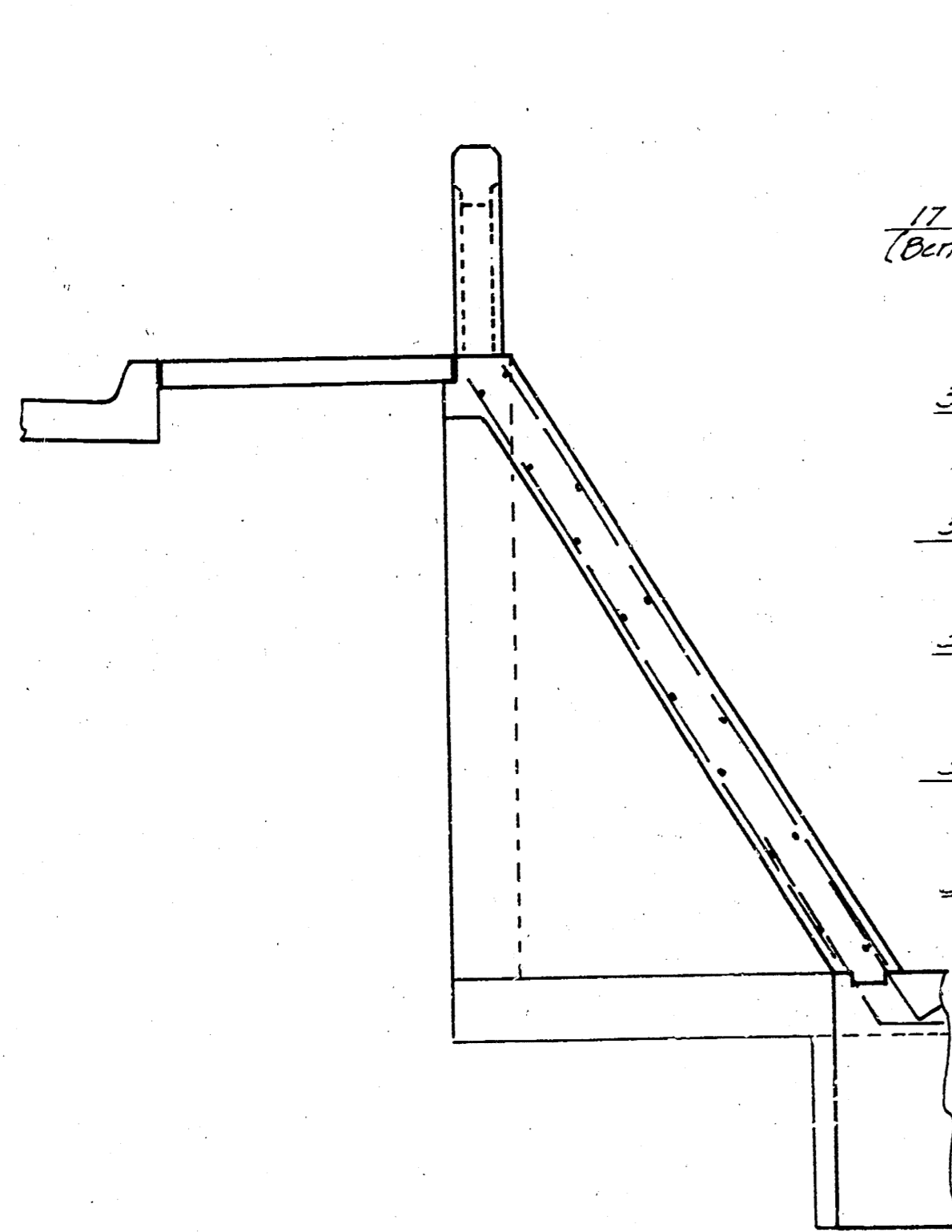
WALL DETAIL AT CORNER
NO SCALE



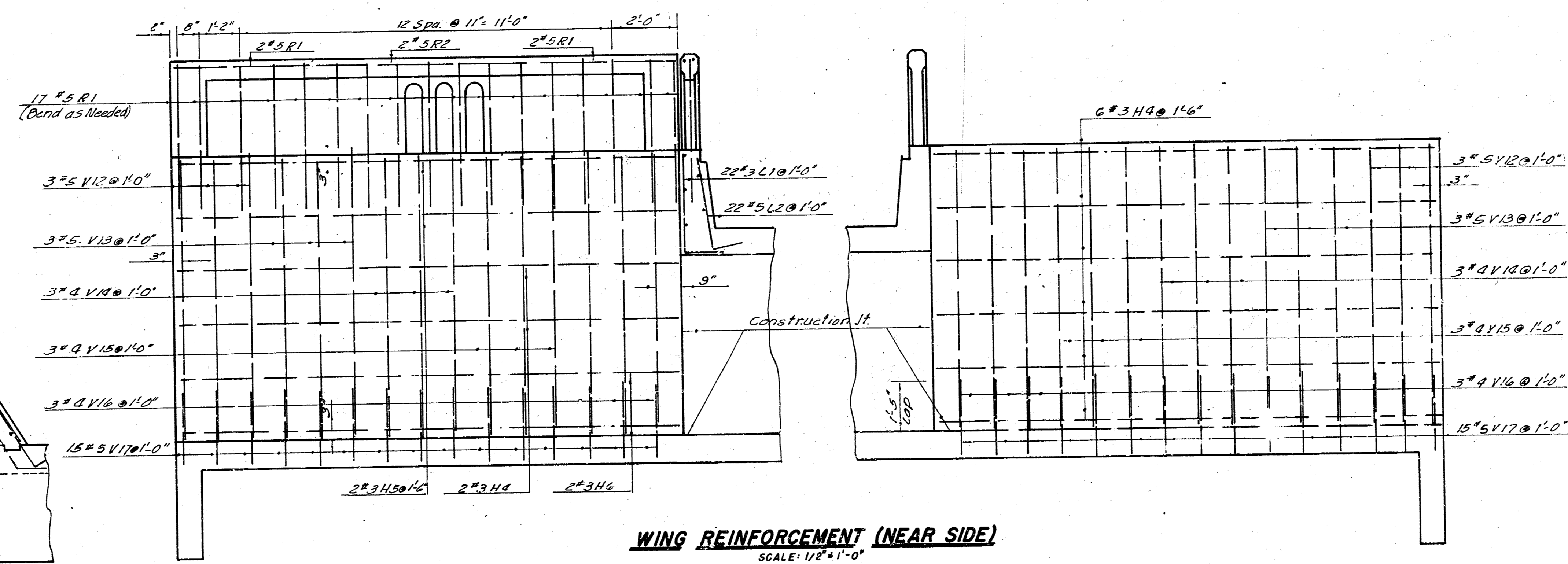
WING REINFORCEMENT (FAR SIDE)
SCALE: 1/2" = 1'-0"



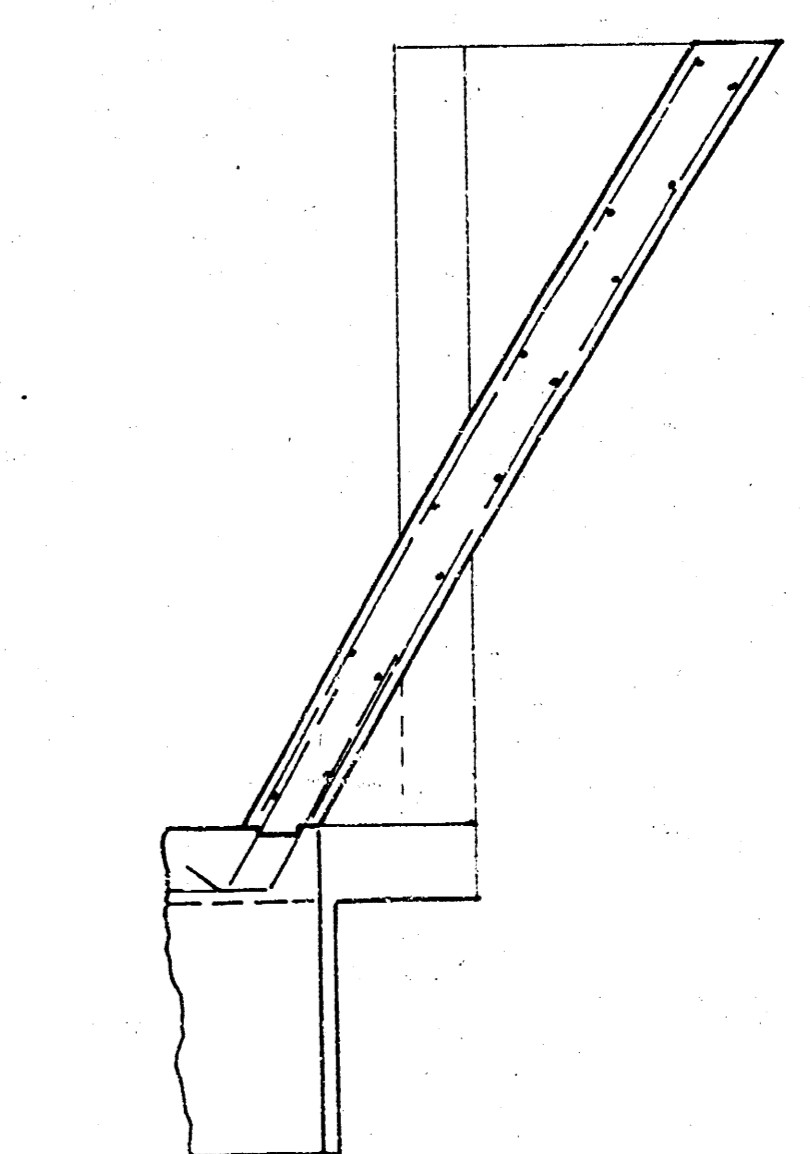
WING SECTION AT BOX



WING SECTION AT END OF WING

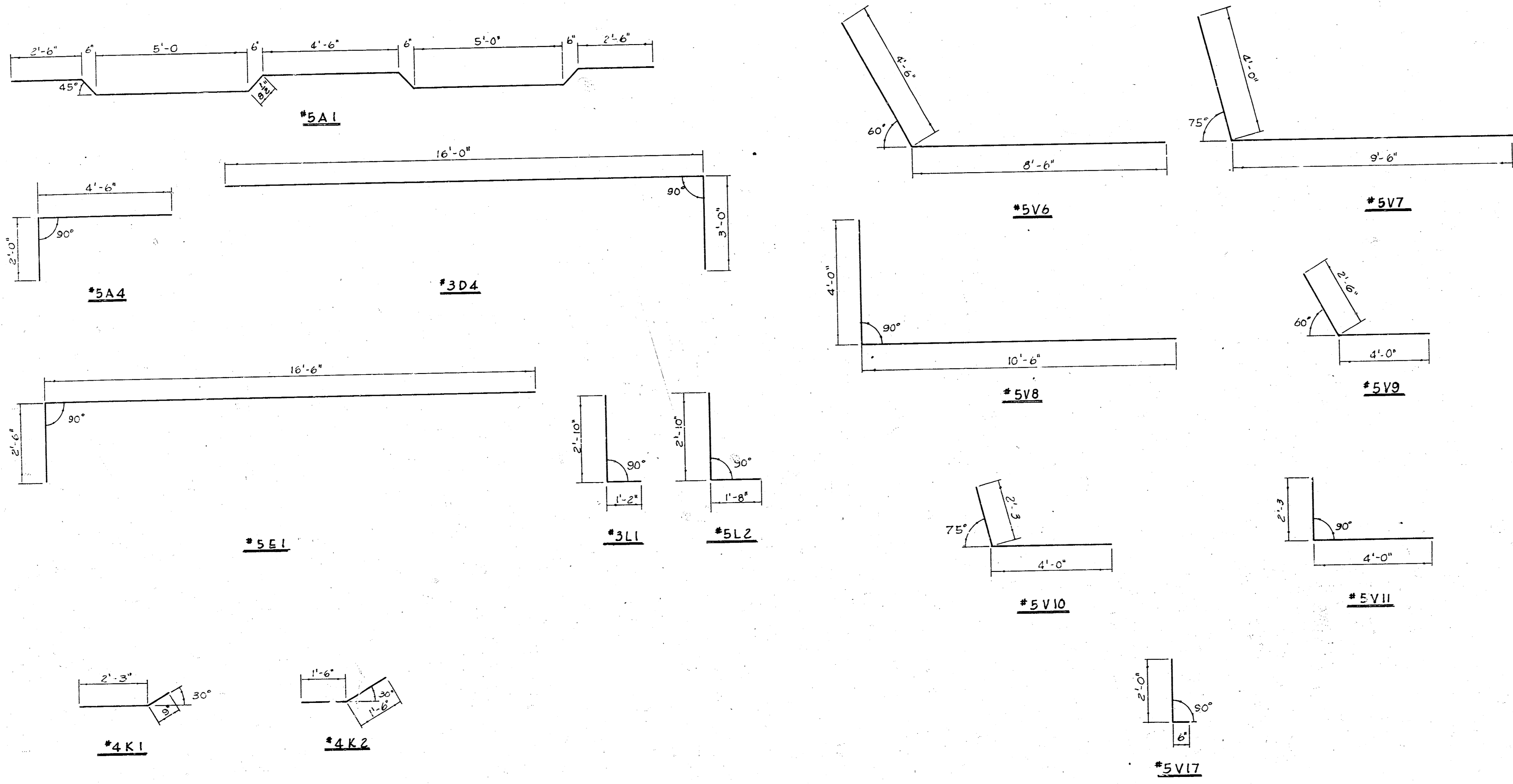


WING REINFORCEMENT (NEAR SIDE)
SCALE: 1/2" = 1'-0"



WING SECTION AT END OF WING

Sheet 5 of 7



BAR SCHEDULE						
BAR	SIZE	LOCATION	LENGTH	NUMBER	SHAPE	WEIGHT
A1	#5	SLAB	22'-4"	192		4472
A2	#5	"	21'-4"	190		4228
A3	#5	"	12'-0"	190		2378
A4	#5	SLAB/WALL	8'-6"	380		2576
B1	#4	"	39'-0"	213		5549
C1	#3	WALL	6'-3"	460		1921
D1	#3	APRON	19'-6"	10		73
D2	#3	"	17'-0"	10		64
D3	#3	"	15'-6"	8		47
D4	#3	"	19'-0"	30		214
D5	#3	"	12'-0"	6		27
D6	#3	"	17'-0"	4		26
D7	#3	"	5'-6"	4		8
E1	#5	"	19'-0"	16		317
E2	#5	"	11'-0"	2		23
E3	#5	"	5'-0"	2		10
E4	#5	"	17'-0"	4		71
E5	#5	"	14'-6"	10		151
H1	#4	WINGWALL	15'-0"	22		220
H2	#4	"	14'-9"	6		59
H3	#4	"	15'-6"	4		41
H4	#3	"	15'-0"	16		90
H5	#3	"	14'-9"	4		22
H6	#3	"	15'-6"	4		23
K1	#4	WALL/WINGWALL	3'-0"	64		128
K2	#4	"	3'-0"	82		64
L1	#3	HUBGUARD	4'-0"	44	L	66
L2	#5	"	4'-6"	44	L	207
M1	#5	"	2'-9"	6		48
M2	#5	"	2'-3"	4		89
R1	#5	HANDRAIL	4'-0"	92		384
R2	#5	"	6'-0"	12		75
R3	#5	"	6'-0"	4		33
V1	#5	WINGWALL	8'-9"	12		110
V2	#5	"	8'-6"	12		106
V3	#5	"	8'-3"	12		103
V4	#5	"	8'-0"	12		100
V5	#5	"	7'-9"	12		97
V6	#5	WINGWALL/APRON	13'-0"	20		271
V7	#5	"	15'-6"	20		282
V8	#5	"	14'-6"	20		302
V9	#5	"	6'-6"	20		136
V10	#5	"	6'-3"	20		130
V11	#5	"	6'-3"	20		130
V12	#5	WINGWALL	8'-9"	12		110
V13	#5	"	8'-6"	12		106
V14	#4	"	8'-3"	12		103
V15	#4	"	8'-0"	12		100
V16	#4	"	7'-9"	12		97
V17	#5	WINGWALL/APRON	2'-6"	60	L	156