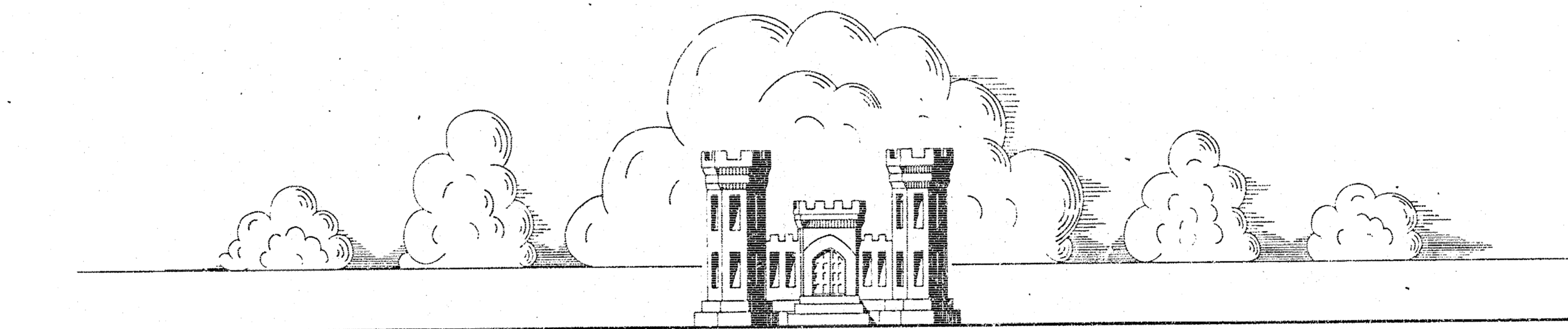


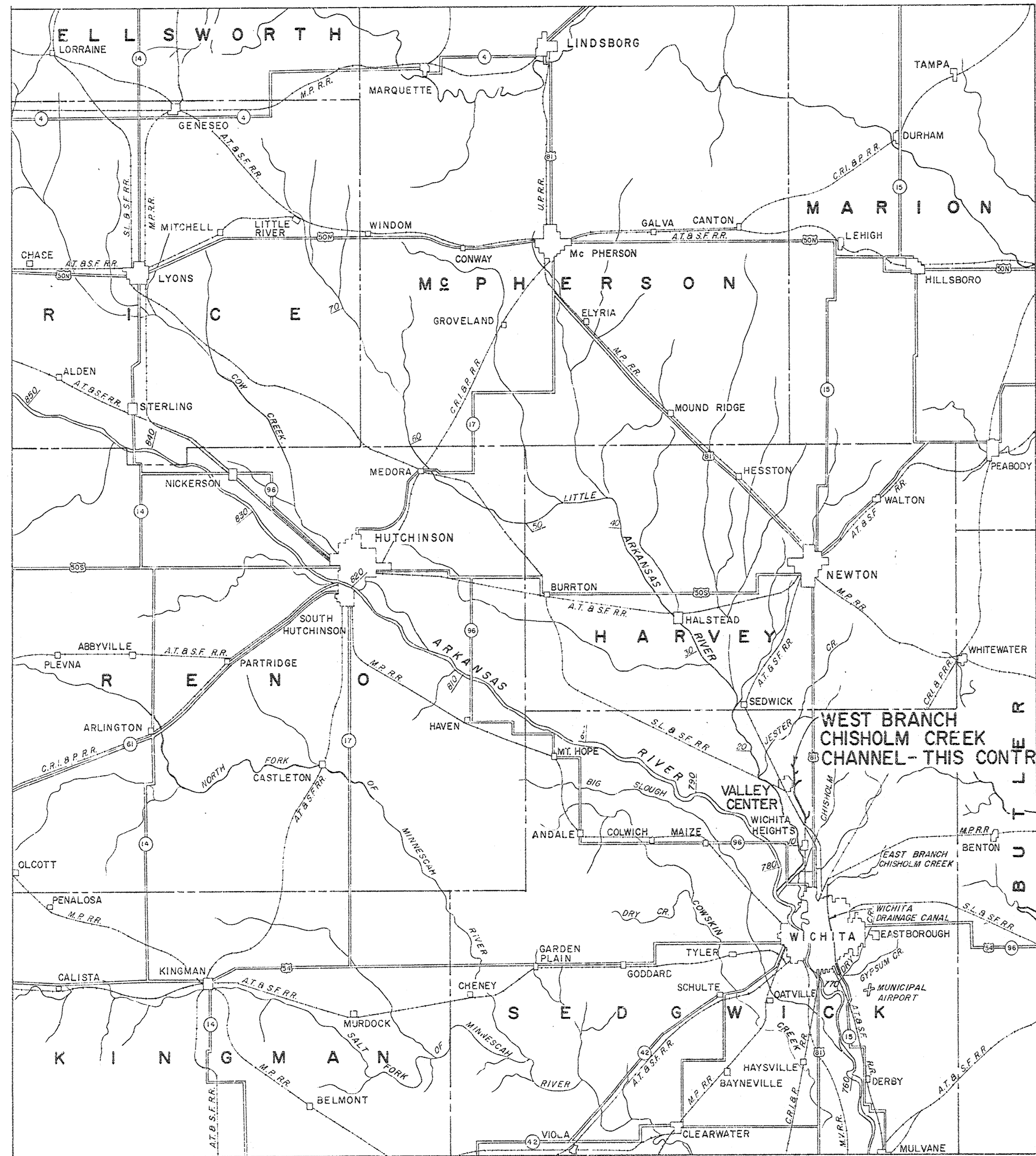
ARKANSAS RIVER WATERSHED  
WEST BRANCH CHISHOLM CREEK  
VALLEY CENTER KANSAS  
ARKANSAS RIVER, KANSAS

PLANS FOR  
CONSTRUCTION OF CHANNEL



U.S. ARMY ENGINEER DISTRICT, TULSA  
CORPS OF ENGINEERS  
TULSA, OKLAHOMA  
AUGUST 1962

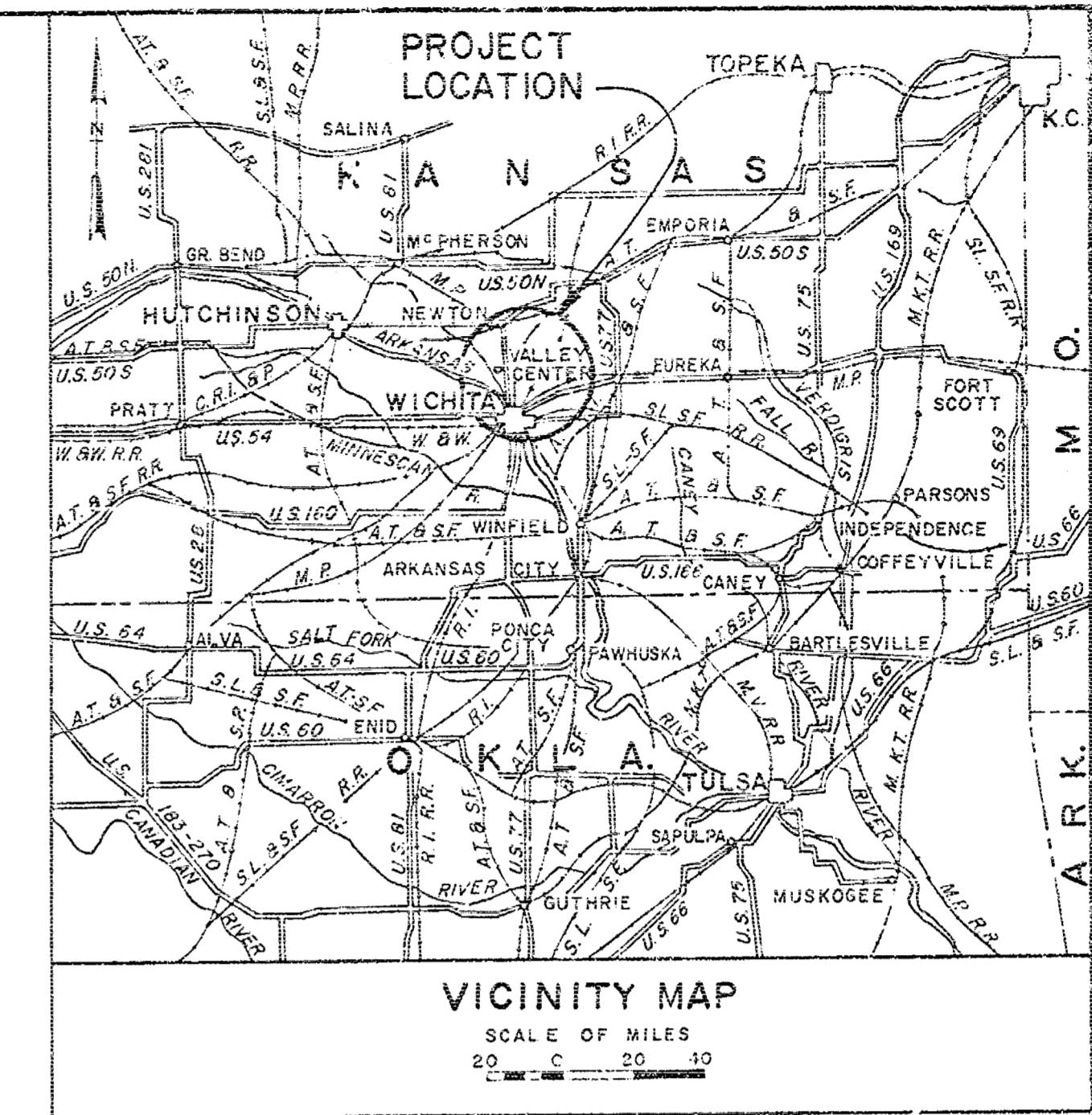
RECORD (AS BUILT) DRAWING



PROJECT LOCATION

LEGEND

- CREEK
- RIVER
- RIVER MILEAGE
- STATE HIGHWAY
- U.S. HIGHWAY
- RAILROAD
- COUNTY LINE
- TOWNS
- CITIES



INDEX TO DRAWINGS

DISTRICT FILE NO.	TITLE	PLATE NO.
C173-1	PROJECT LOCATION & DRAWING INDEX	1
C173-2	GENERAL PLAN	2
C173-3	PLAN & PROFILE I	3
C173-4	PLAN & PROFILE II	4
C173-5	PLAN & PROFILE III	5
C173-6	PLAN & PROFILE IV	6
C173-7	TYPICAL SECTIONS I-CHANNEL A	7
C173-8	TYPICAL SECTIONS II-CHANNELS B,C & D	8
C173-9	DRAINAGE STRUCTURES I	9
C173-10	DRAINAGE STRUCTURES II	10
C173-11	DRAINAGE STRUCTURES III	11
C173-12	DRAINAGE STRUCTURES IV	12
C173-13	DRAINAGE STRUCTURES V	13
C173-14	DRAINAGE STRUCTURES VI	14
C173-15	DRAINAGE STRUCTURES VII	15
C173-16	FOUNDATION EXPLORATION- AUGER LOG RECORD	16

GENERAL NOTES:

1. Elevations are in feet and refer to mean sea level.
2. Sections taken and shown on the same sheet are noted thus; SECTION A-A
3. When a section is taken on a sheet other than where the detail is shown it is indicated thus; the number indicates the sheet where it is shown.
4. Where the section is titled thus; SECTION the number indicates the sheet where the section was taken.
5. Existing fences, utility lines and bridges within the right-of-way limits are to be removed or relocated by others.
6. All area within the permanent right-of-way will be flush cleared, except as noted.
7. Bench marks shown at bridges are on existing structures, and will be obliterated. New bench marks will be established on the new bridges.

ARIZONA RIVER WATERSHED ARIZONA RIVER, KANSAS

**WEST BRANCH CHISHOLM CREEK**  
**VALLEY CENTER, KANSAS**  
**CONSTRUCTION OF CHANNEL**  
**PROJECT LOCATION & DRAWING INDEX**

IN 16 SHEETS SCALE: 1 INCH = 4 MILES SHEET NO. 1

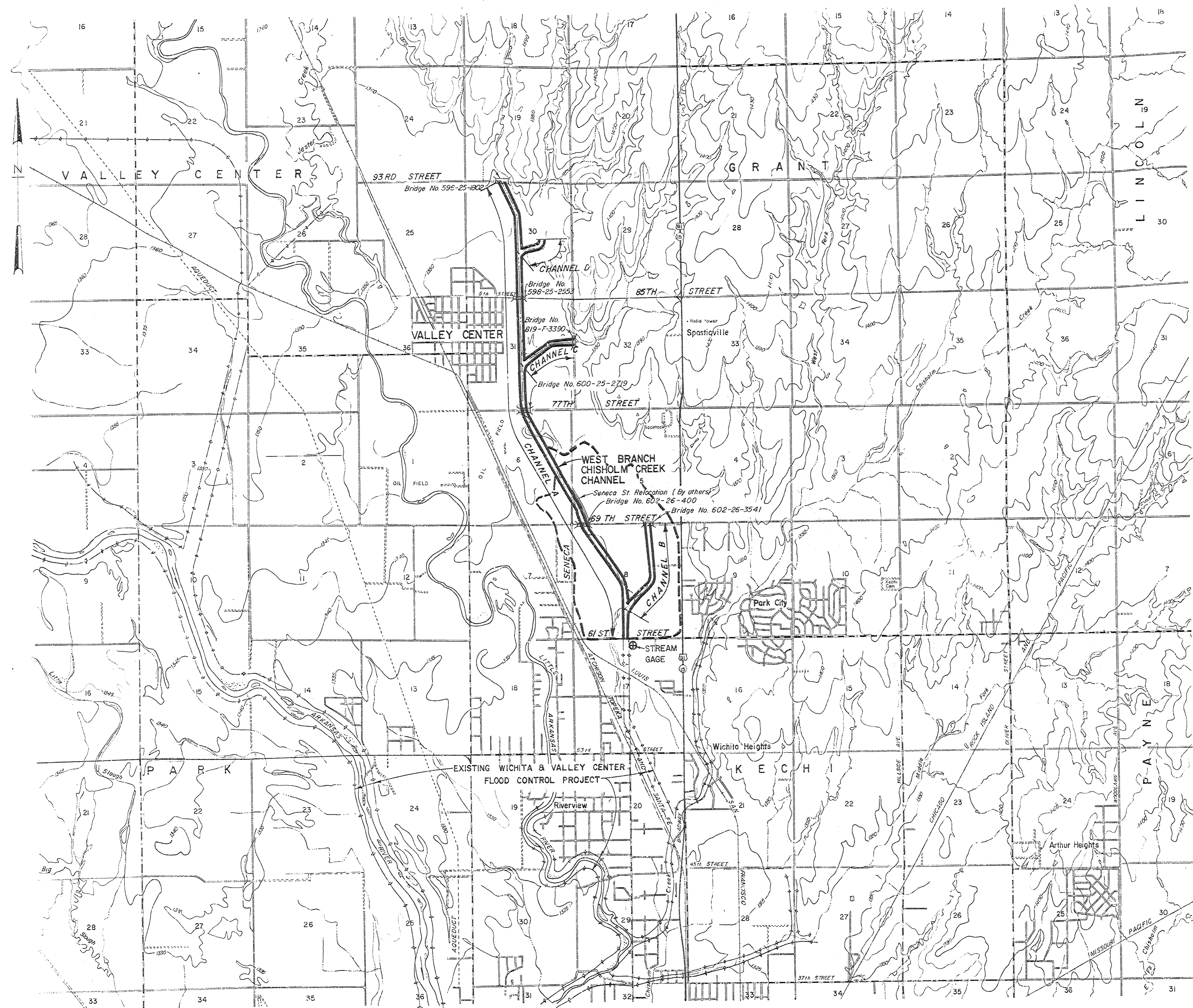
U.S. ARMY ENGINEER DISTRICT, TULSA, CORPS OF ENGINEERS, MAR. 1962

SUBMITTED: APPROVAL RECOMMENDED: APPROVED:

CHIEF, ENGR. SECT. 15 CHIEF, DESIGN BRANCH 9 CHIEF ENGR. DIVISION  
 DRAWN: G.O.C., N.W.E. TO ACCOMPANY SPECIFICATIONS FOR THE DISTRICT ENGINEER  
 TRACED: ISSUED UNDER INVITATION NO. CIVENG-34-066-61-21 FOR THE DISTRICT ENGINEER  
 CHECKED: J.W., I.I.H. NO. CIVENG-34-066-61-21 C173-1

CONTRACT-63-1152

RECORD (AS BUILT) DRAWING



**LEGEND**

	Medium duty
	Heavy duty
	Unimproved dirt
	Light duty
	U.S. Route
	State Route
	Bridge Relocation (By Local Interests)
	Project Design Flood Modified Conditions
	Stream Gage

- NOTES:**
1. For utility relocations by Local Interests, see Plan & Profile I thru IV.
  2. The limits of the permanent rights-of-way will be marked in the field with red topped posts.
  3. The limits of easements for waste fill will be marked in the field with yellow topped posts.
  4. Relocations of all bridges and utilities are scheduled for completion prior to issuance to the contractor of notice to proceed, except the bridges numbered 596-25-235 and 619-F-3390 on the drawings, which are scheduled for completion on or about 1 December 1962.
  5. Access to the work areas of this contract will be provided by others from the county roads adjacent to each bridge.
  6. Access to work areas will not be provided until the relocation work at each bridge site has been completed, unless otherwise authorized in writing by the Contracting Officer.

ARKANSAS RIVER WATERSHED ARKANSAS RIVER, KANSAS

**WEST BRANCH CHISHOLM CREEK  
VALLEY CENTER, KANSAS  
CONSTRUCTION OF CHANNEL  
GENERAL PLAN**

SCALE OF FEET  
1" = 16 SHEETS 4000' 0 4000' SHEET NO. 2

U.S. ARMY ENGINEER DISTRICT, TULSA, CORPS OF ENGINEERS, MAR. 1962

SUBMITTED: \_\_\_\_\_ APPROVED: \_\_\_\_\_  
A. APPROVAL RECOMMENDED: \_\_\_\_\_

CHIEF, GENL. ENGRS. SECT. B CHIEF, DESIGN BRANCH B CHIEF, ENGRG. DIVISION  
DRAWN: D.K.G., N.W.F. TO ACCOMPANY SPECIFICATIONS FOR THE DISTRICT ENGINEER  
TRACED ISSUED UNDER INVITATION NO. CIVENG-34-066-63-21

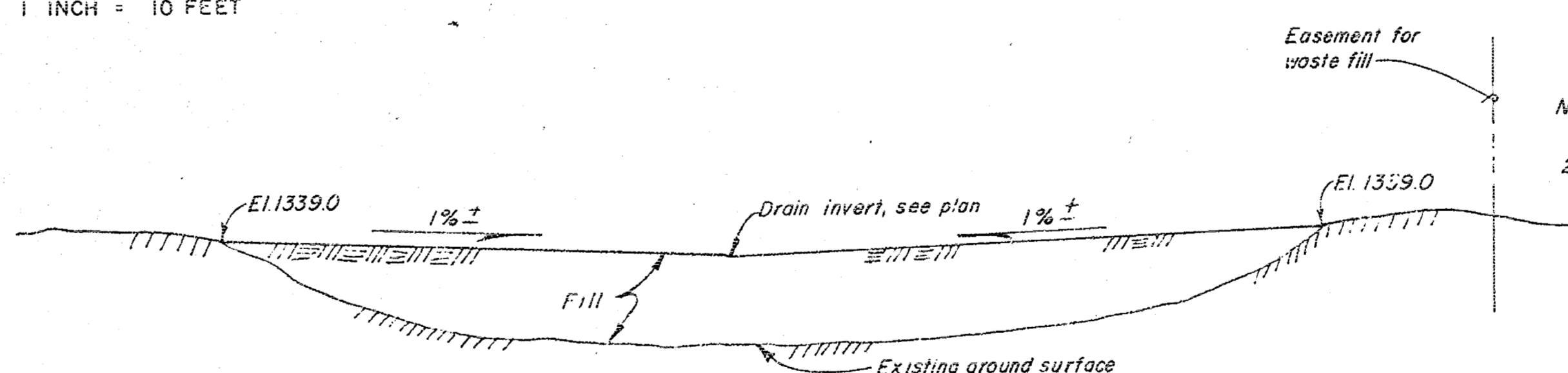
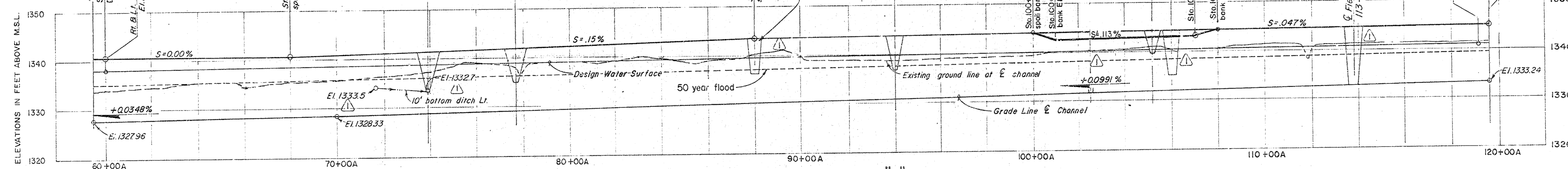
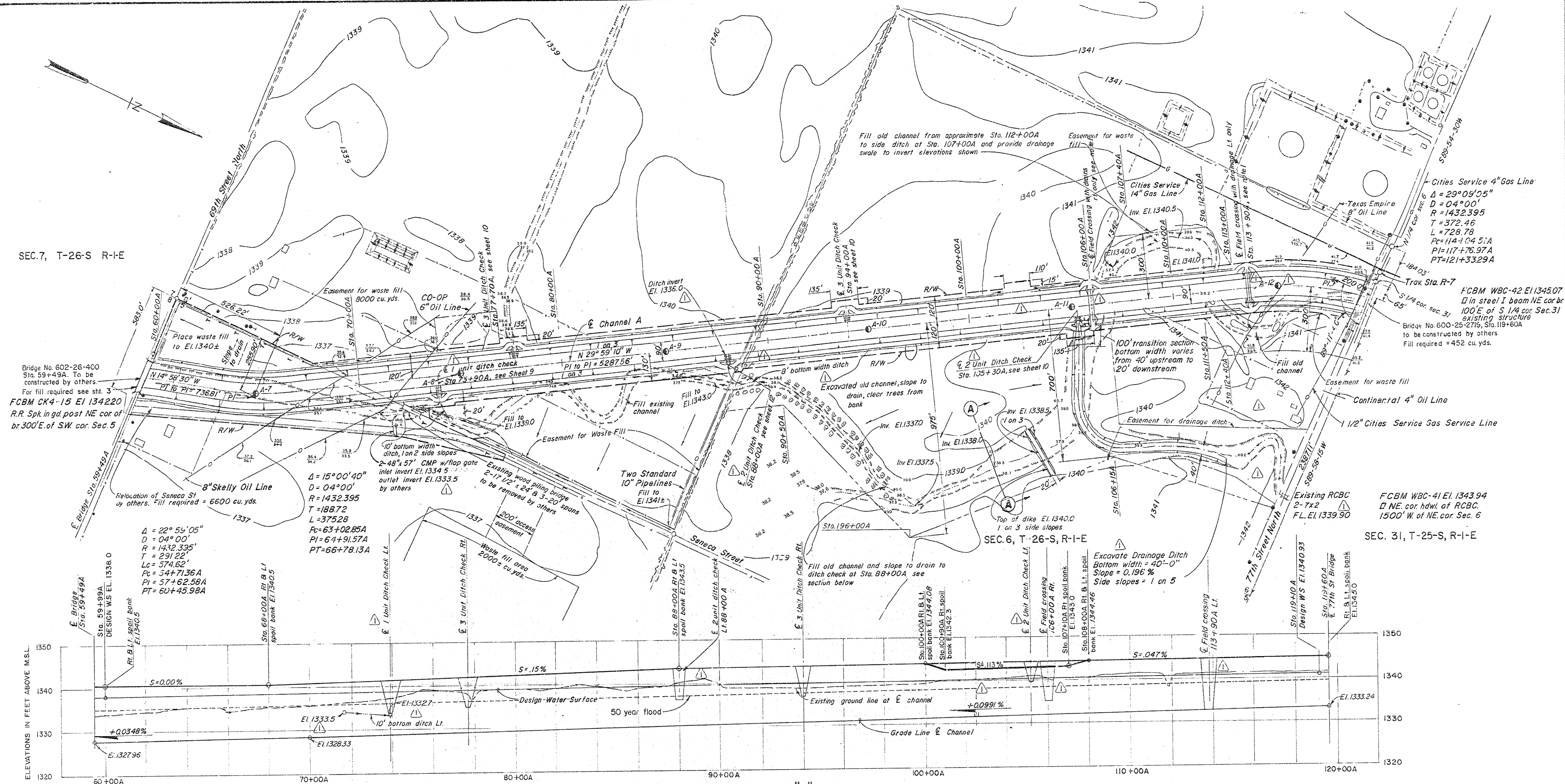
CHECKED: J.W., L.N.H. NO. CIVENG-34-066-63-21

CONTRACT-63-1152

RECORD (AS BUILT) DRAWING



SEC. 7, T-26-S R-I-E



Notes:  
 1. For typical field crossing details, see Sheet 14  
 2. For auger record and legend see sheet 16

RECORD (AS BUILT) DRAWING

KEY	DATE	REVISION (INDICATED BY Δ)	CHKD.	REC.	APPR.

ARIZONA RIVER WATERSHED ARKANSAS RIVER, KANSAS

**WEST BRANCH CHISHOLM CREEK**  
**VALLEY CENTER, KANSAS**  
**CONSTRUCTION OF CHANNEL**  
**PLAN & PROFILE II**

SCALE: 1 INCH = 200 FEET

IN 16 SHEETS SHEET NO. 4

U.S. ARMY ENGINEER DISTRICT, TULSA CORPS OF ENGINEERS, MAR. 1962

SUBMITTED: APPROVAL RECOMMENDED: APPROVED:

CHIEF, GEN'L ENGRG. SECT. CHIEF, DESIGN BRANCH CHIEF, ENGRG. DIVISION

DRAWN: G.O.C., N.W.F. TO ACCOMPANY SPECIFICATIONS FOR THE DISTRICT ENGINEER

TRACED: ISSUED UNDER INVITATION

CHECKED: J.W., I.H.H. NO. CIVENG-34-066-63-21

**C173-41**

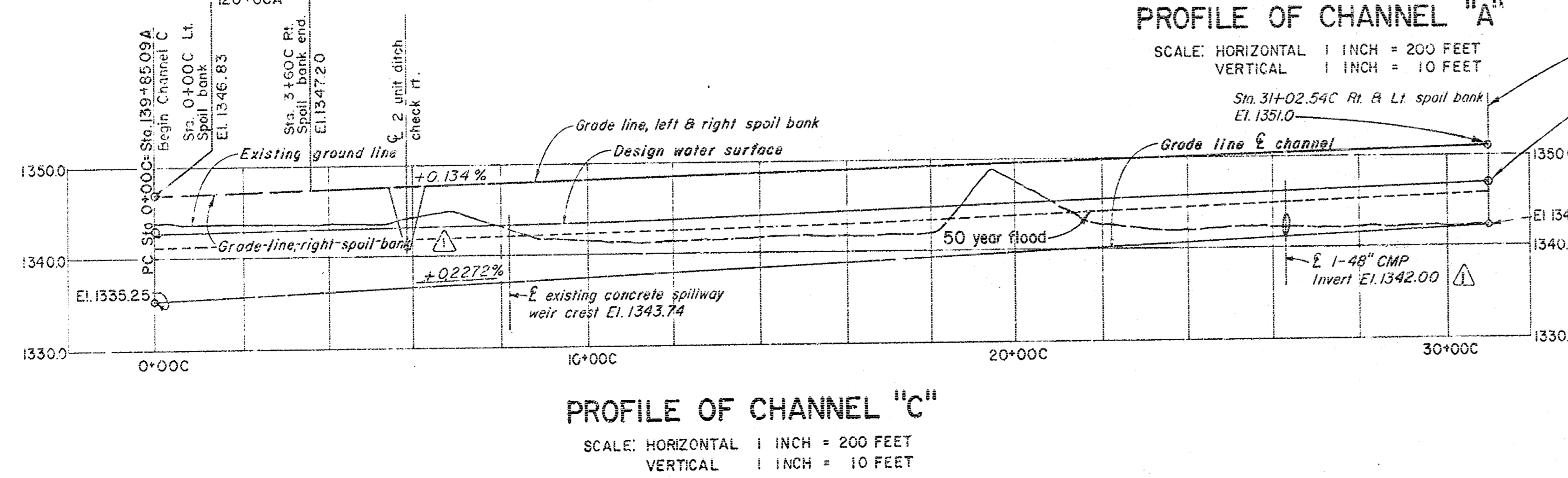
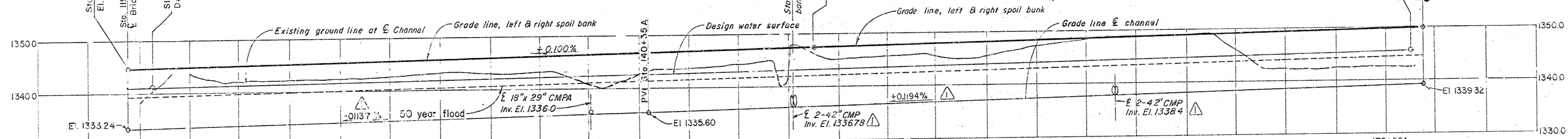
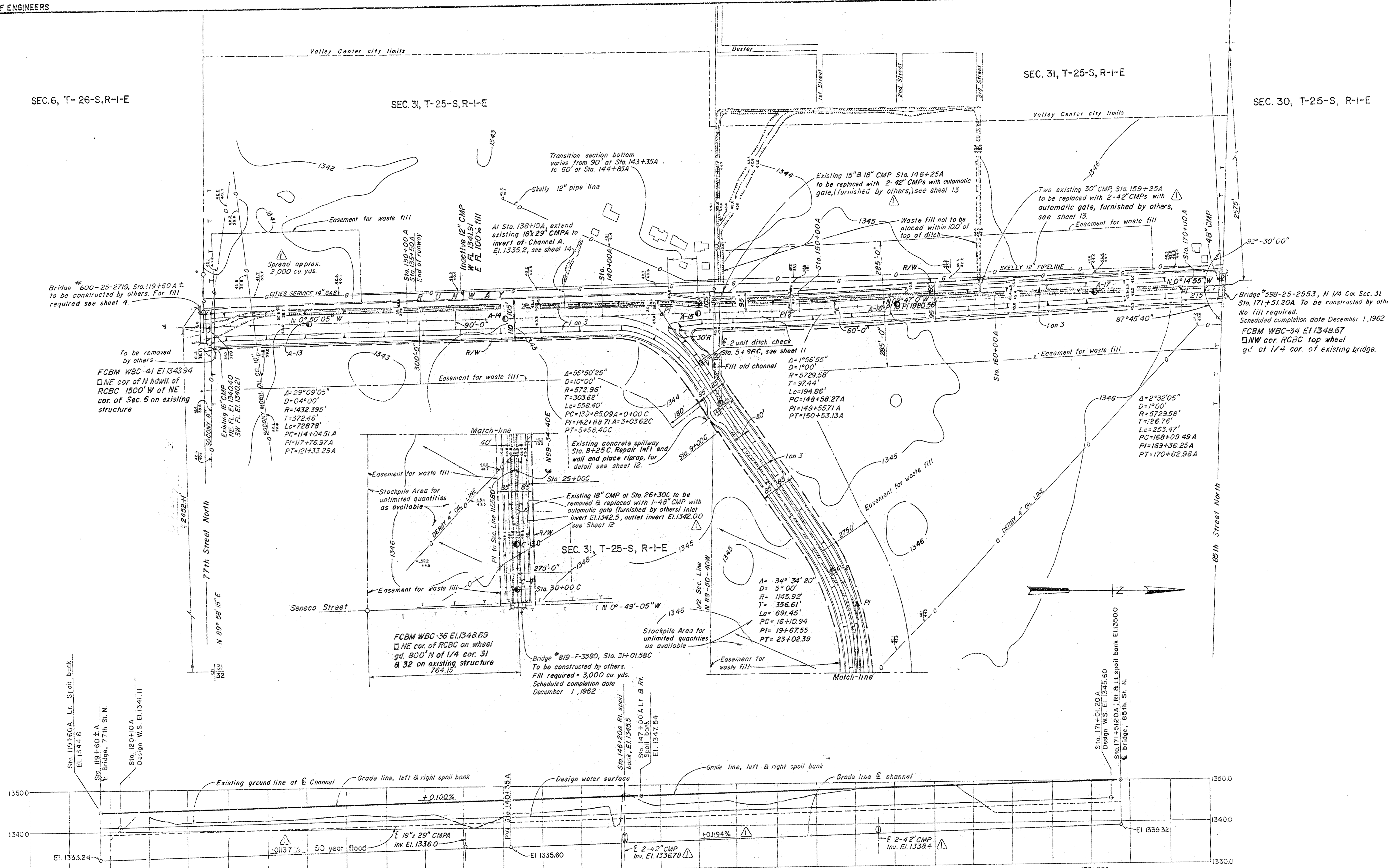
CONTRACT - 63-1152

SEC. 6, T-26-S, R-1-E

SEC. 31, T-25-S, R-1-E

SEC. 31, T-25-S, R-1-E

SEC. 30, T-25-S, R-1-E

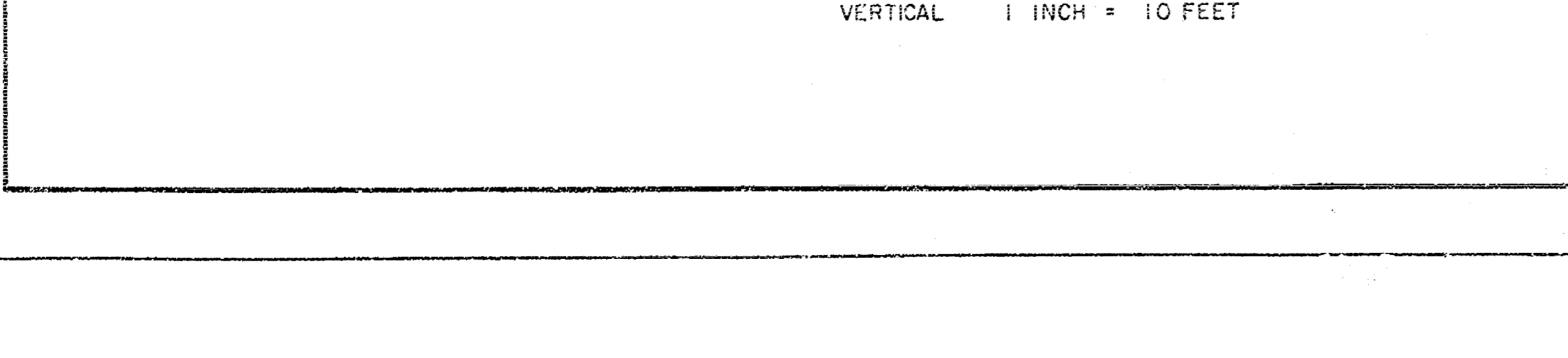
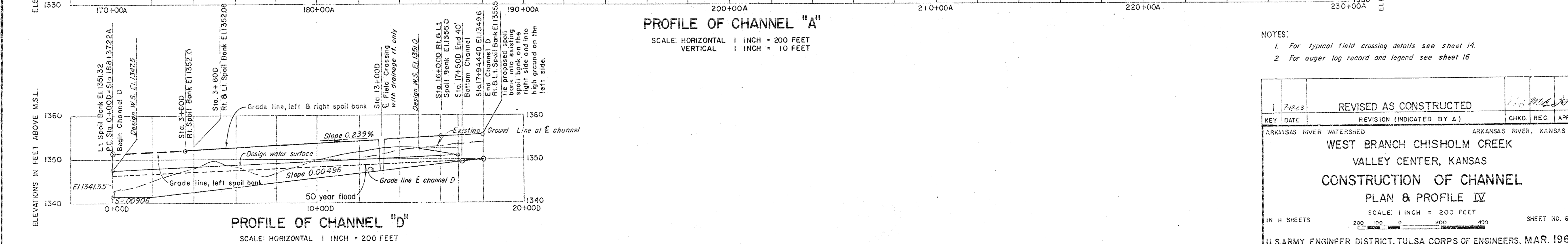
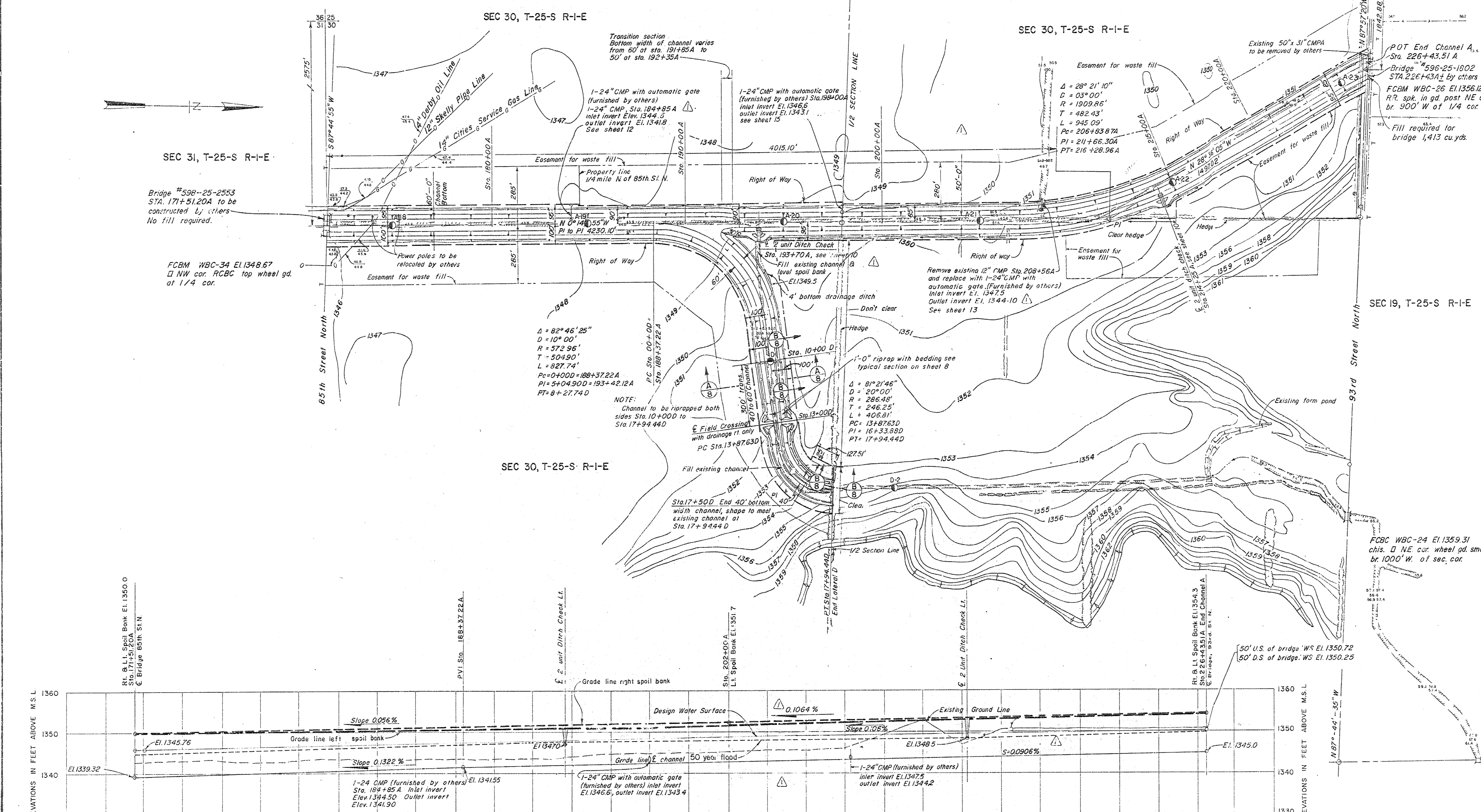


NOTES:  
 1. For auger log record and legend see sheet 16.

1	7-10-63	REVISED AS CONSTRUCTED	
KEY	DATE	REVISION (INDICATED BY 1)	CHG'D. REC. APPR.
ARKANSAS RIVER WATERSHED			
WEST BRANCH CHISHOLM CREEK			
VALLEY CENTER, KANSAS			
CONSTRUCTION OF CHANNEL			
PLAN & PROFILE III			
SCALE: 1 INCH = 200 FEET			
SHEET NO. 5			
U. S. ARMY ENGINEER DISTRICT, TULSA CORPS OF ENGINEERS, MAR. 1962			
SUBMITTED:		APPROVED:	
DESIGNED BY: J.W. I.H.H.		CHECKED: J.W. I.H.H.	
DRAWN BY: J.W. I.H.H.		TRACED: J.W. I.H.H.	
ISSUED UNDER INVITATION		NO. CIVENG-34-066-83-21	
C173-5.1			

RECORD (AS BUILT) DRAWING

CONTRACT 63-1152



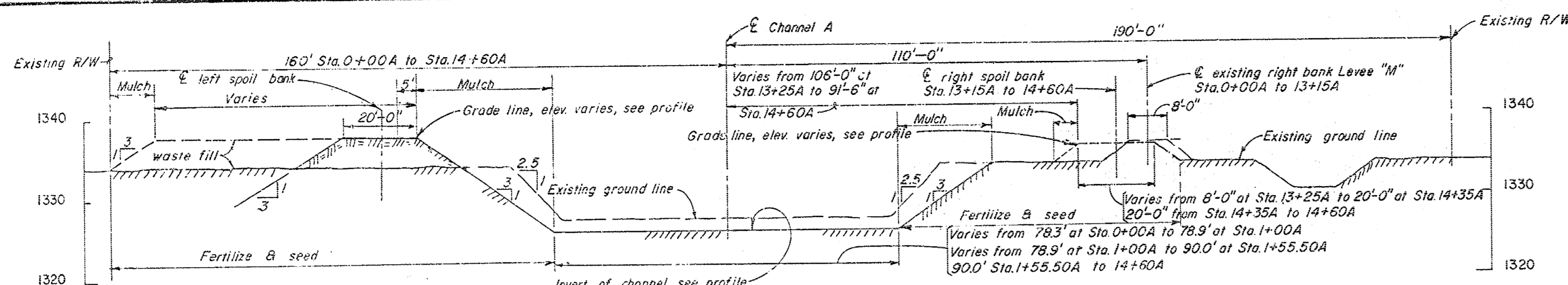
NOTES:

- For typical field crossing details see sheet 14.
- For auger log record and legend see sheet 16

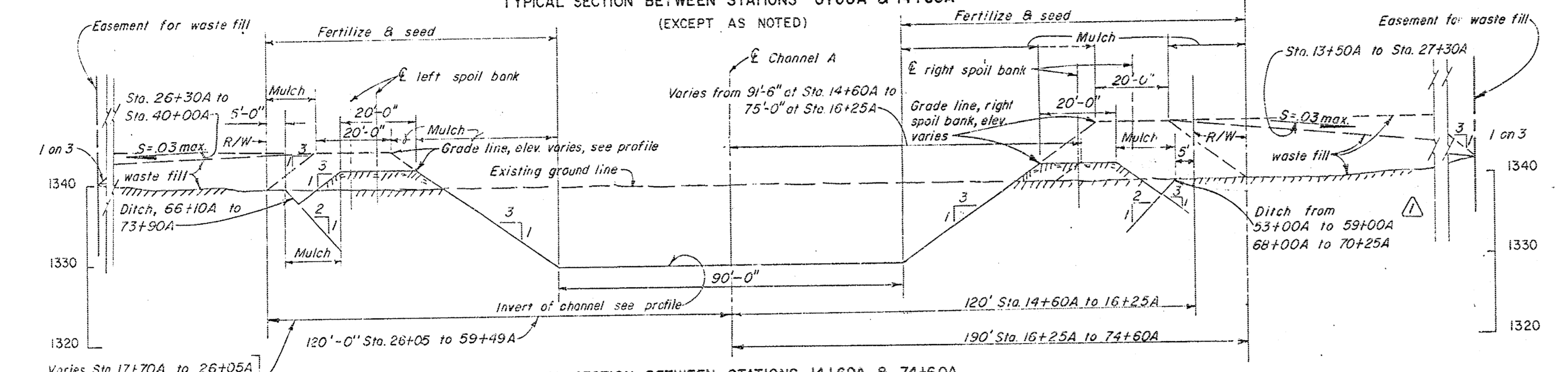
REVISED AS CONSTRUCTED		
KEY DATE	REVISION (INDICATED BY Δ)	CHKD. REC. APPR.
ARKANSAS RIVER WATERSHED ARKANSAS RIVER, KANSAS		
WEST BRANCH CHISHOLM CREEK		
VALLEY CENTER, KANSAS		
CONSTRUCTION OF CHANNEL		
PLAN & PROFILE IV		
SCALE: 1 INCH = 200 FEET		
IN H SHEETS	200 100 0 200 400	SHEET NO. 6
U.S. ARMY ENGINEER DISTRICT, TULSA CORPS OF ENGINEERS, MAR. 1962		
SUBMITTED:	APPROVAL RECOMMENDED:	APPROVED:
DRANK, D.K.G., N.W.P.	CHIEF, DESIGN BRANCH "H"	CHIEF ENGRS. DIVISION
ISSUED UNDER INVITATION	TO ACCOMPANY SPECIFICATIONS	FOR THE DISTRICT ENGINEER
CHECKED: J.W., L.H.H.	NO. CIVENG-34-066-63-21	C173-6.1

RECORD (AS BUILT) DRAWING

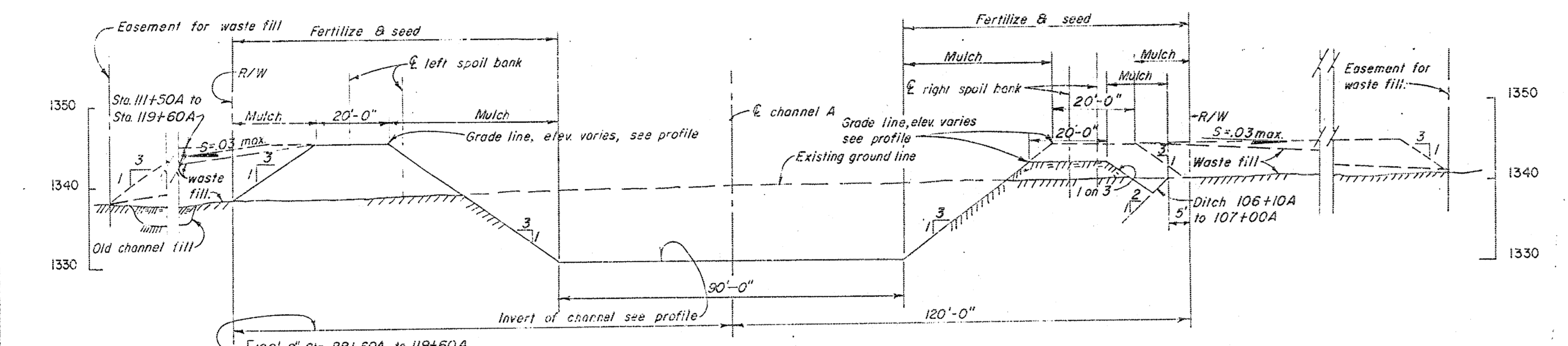
CONTRACT-63-1152



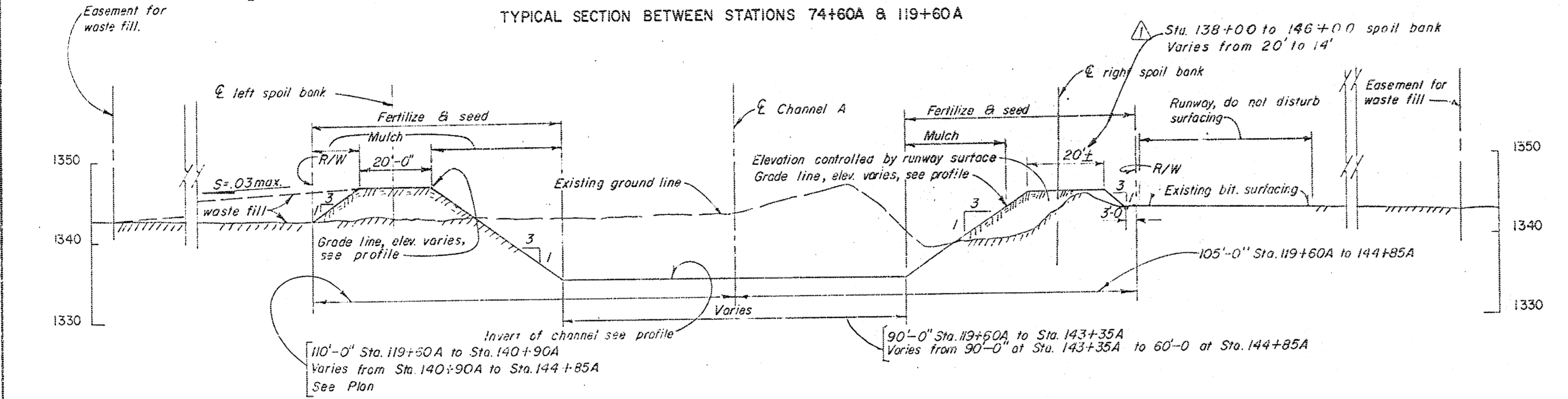
TYPICAL SECTION BETWEEN STATIONS 0+00A & 14+60A  
(EXCEPT AS NOTED)



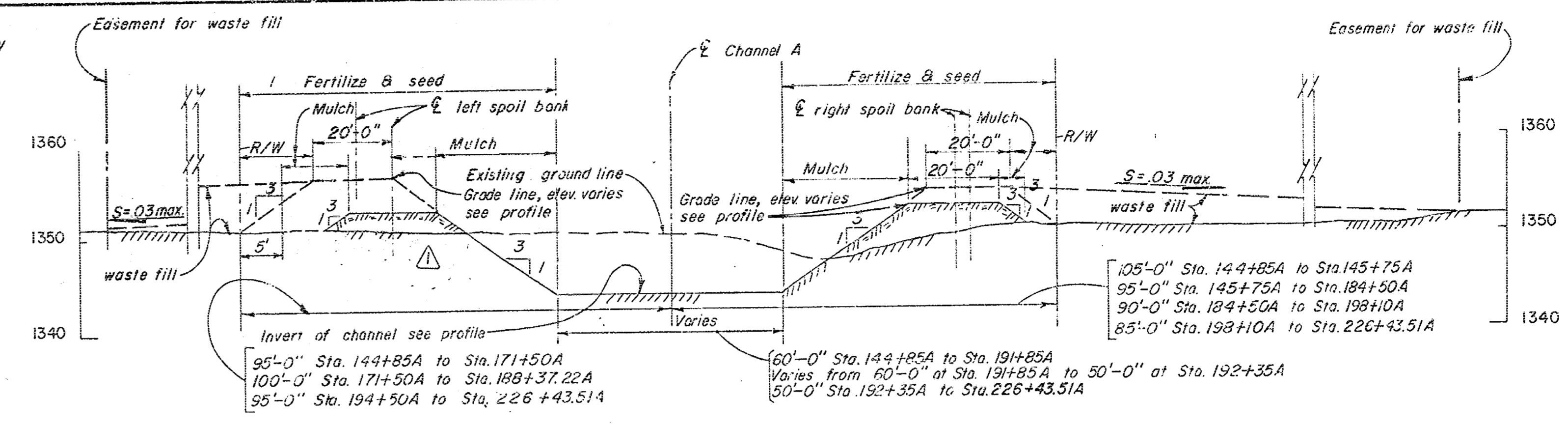
TYPICAL SECTION BETWEEN STATIONS 14+60A & 74+60A



TYPICAL SECTION BETWEEN STATIONS 74+60A & 119+60A



TYPICAL SECTION BETWEEN STATIONS 119+60A & 144+85A

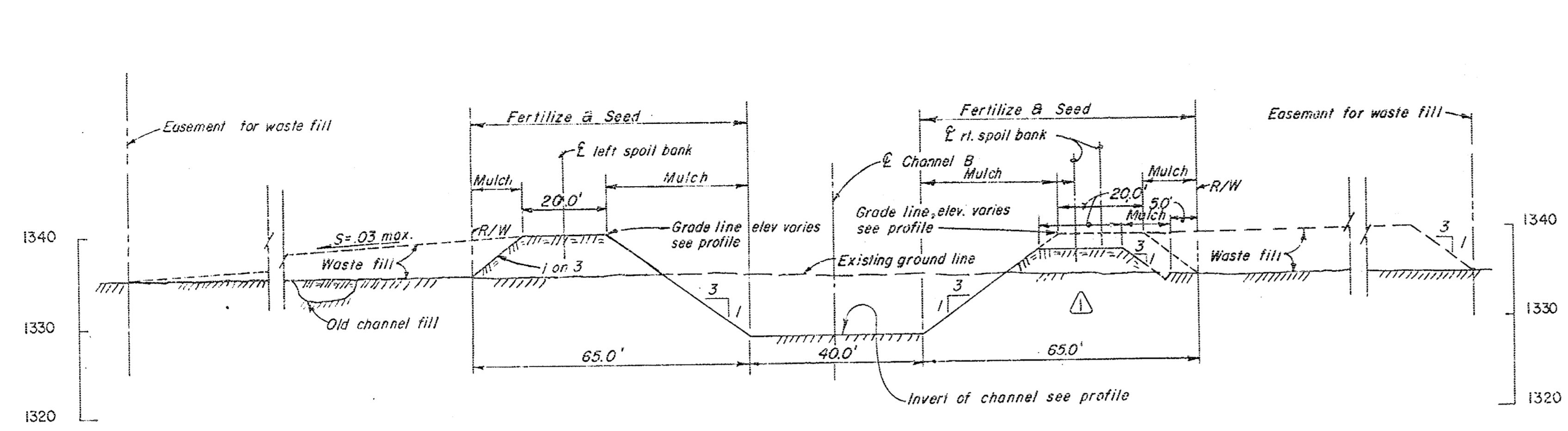


TYPICAL SECTION BETWEEN STATIONS 144+85A & 226+43.51A

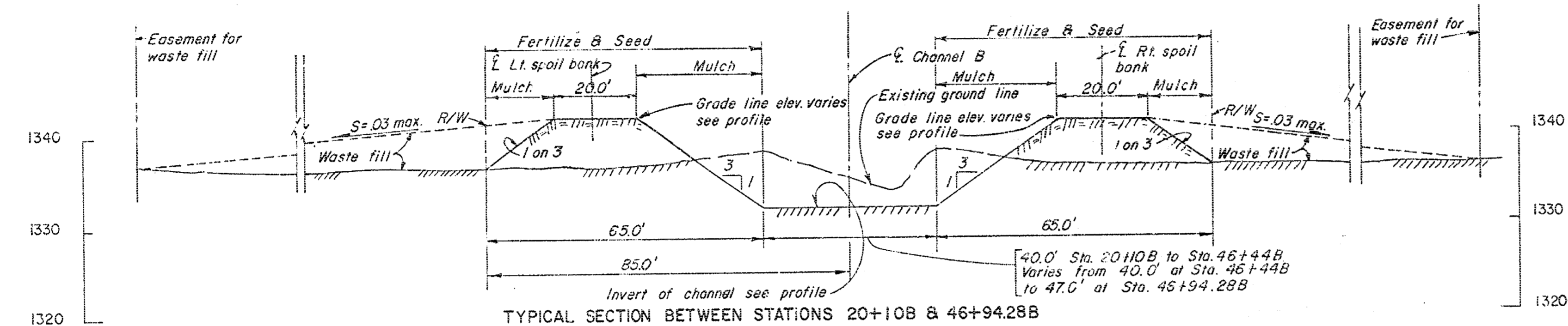
- NOTES:
1. For right-of-way limits and easement areas for waste fill, see plan & profile sheets 3 thru 6.
  2. For typical plan & sections for field crossings see sheet 14.
  3. For typical cross-section of ditch checks see sheet 5.
  4. For plan & sections of drainage structures see sheets 9 thru 14.
  5. For depth of landside ditches see plan & profile sheets 3 thru 6.

RECORD (AS BUILT) DRAWING

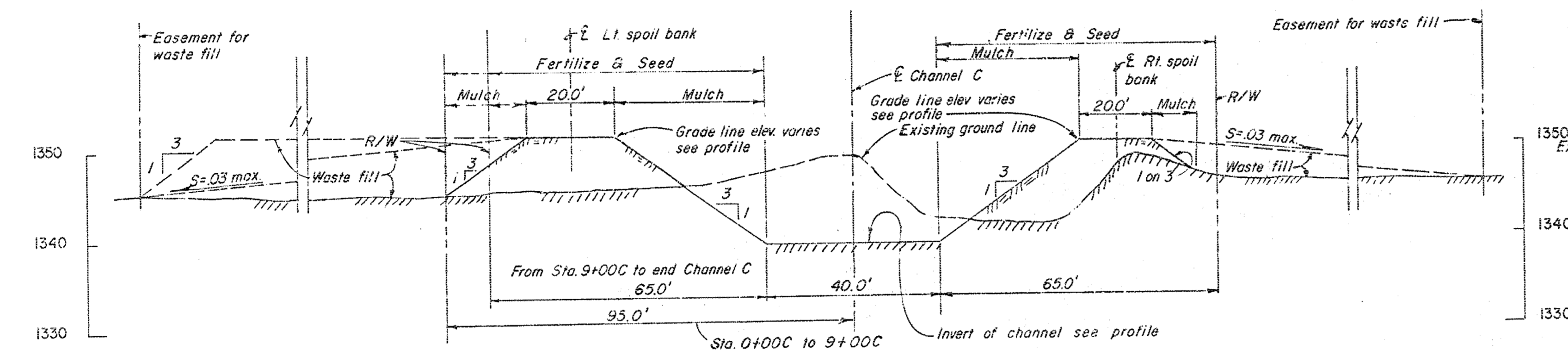
1	7/2/62	REVISED AS CONSTRUCTED		
KEY	DATE	REVISION (INDICATED BY Δ)	CHKD.	REC.
ARKANSAS RIVER WATERSHED WEST BRANCH CHISHOLM CREEK VALLEY CENTER, KANSAS CONSTRUCTION OF CHANNEL TYPICAL SECTIONS I - CHANNEL A				
IN 16 SHEETS		SCALE: 1 INCH = 20' HORIZ. 1 INCH = 10' VERT.	SHEET NO. 7	
U.S. ARMY ENGINEER DISTRICT, TULSA CORPS OF ENGINEERS, MAR. 1962 SUBMITTED: APPROVAL RECOMMENDED: APPROVED: DRAWN: D.K.G. NWF TO ACCOMPANY SPECIFICATIONS FOR THE DISTRICT ENGINEER CHECKED: J.W. LHEL NO. CIVENG-34-056-63-20				
CONTRACT-63-1152				6173-71



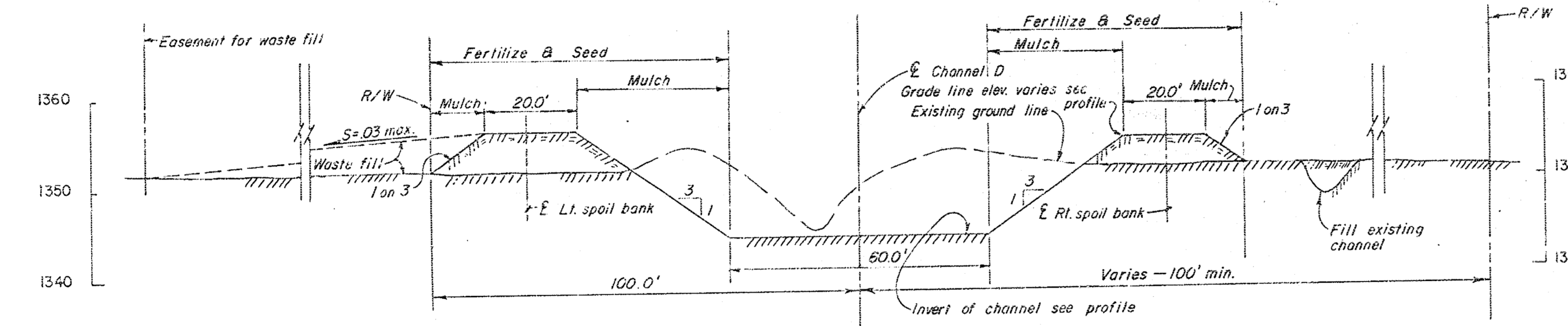
TYPICAL SECTION BETWEEN STATIONS 0+00B & 20+10B



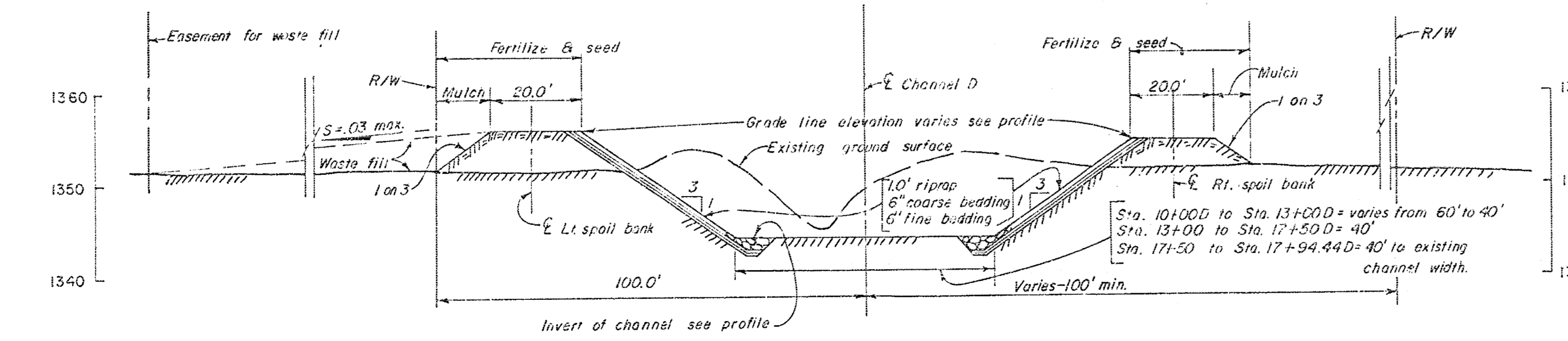
TYPICAL SECTION BETWEEN STATIONS 20+10B & 46+94.28B



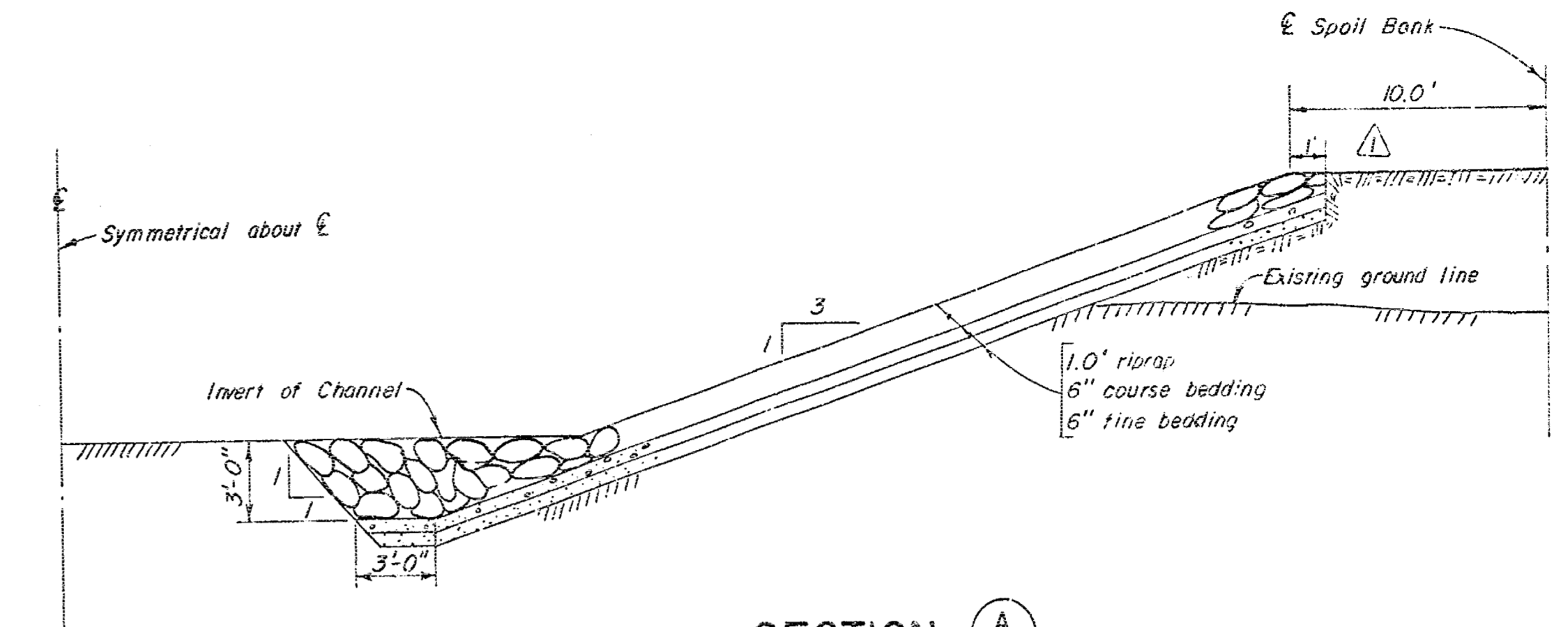
TYPICAL SECTION BETWEEN STATIONS 0+00C & 31+01.58C



TYPICAL SECTION BETWEEN STATIONS 0+00D & 10+00D

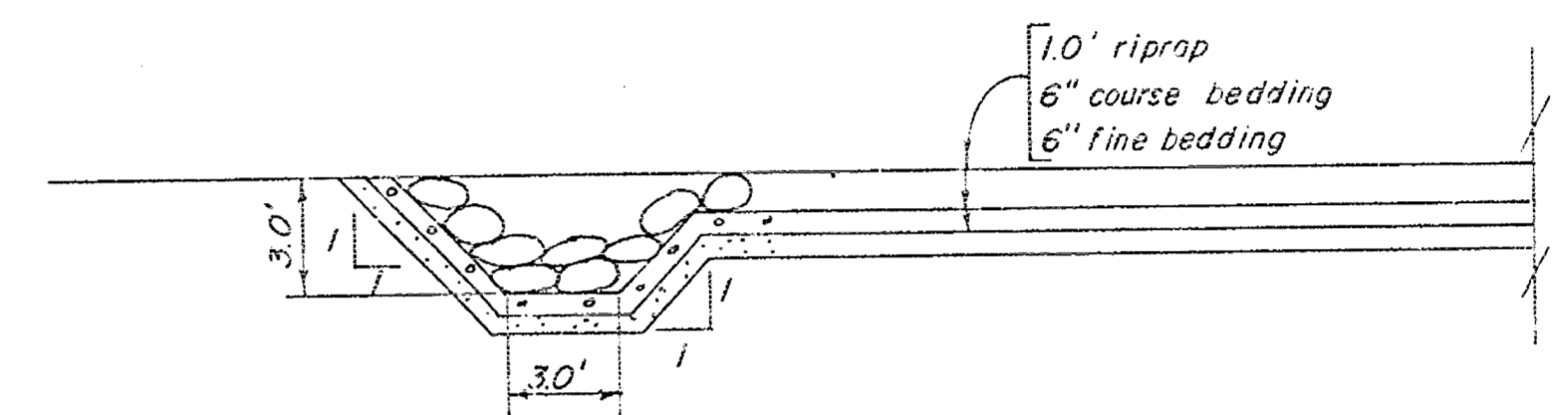


TYPICAL SECTION BETWEEN STATIONS 10+00D & 17+94.44D



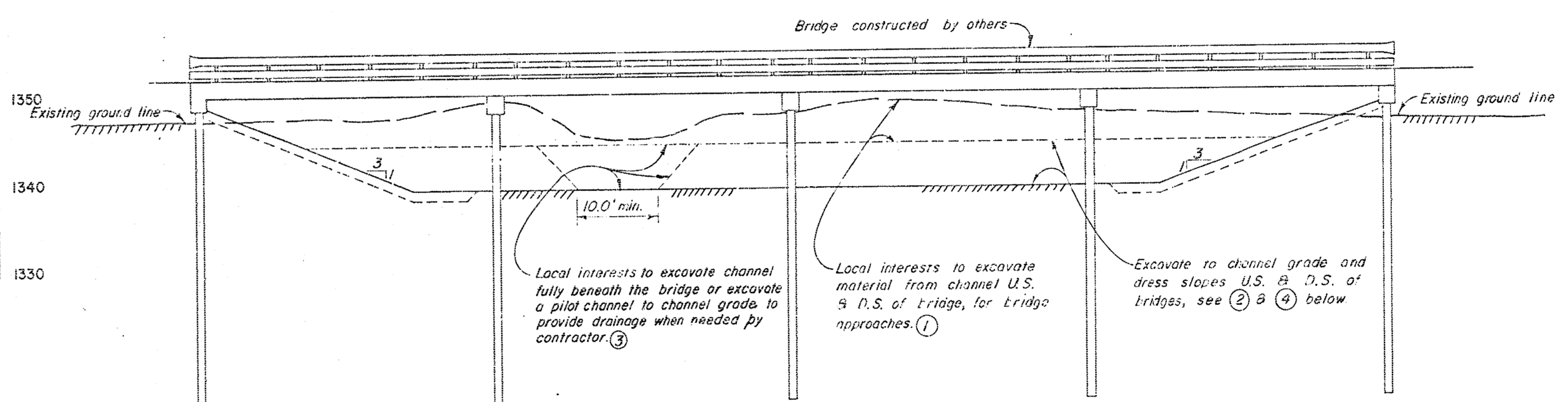
SECTION A-6

SCALE: 1 INCH = 5 FEET



SECTION B-6

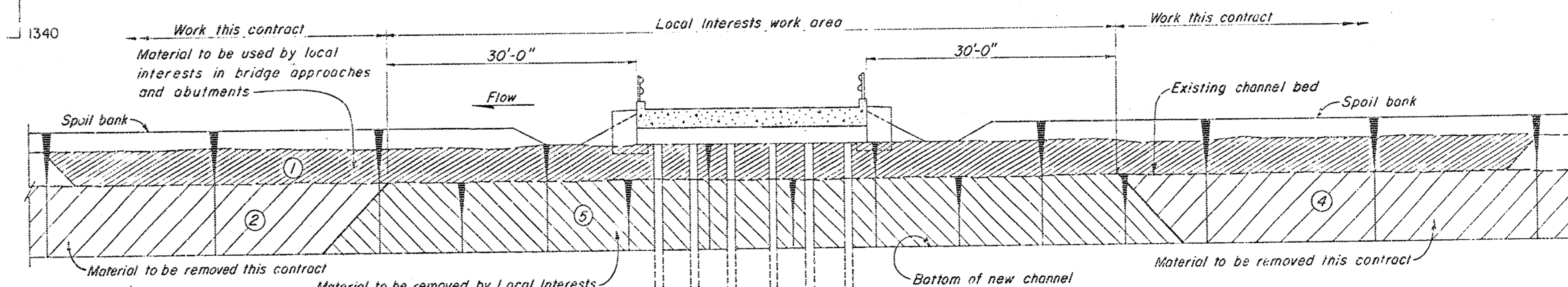
SCALE: 1 INCH = 5 FEET



TYPICAL BRIDGE EXCAVATION SECTION

SCALE: 1 INCH = 10 FEET

NOTE: Local interests to excavate to channel grade beneath bridges and place riprap, see 5 below



SEQUENCE OF EXCAVATION AT BRIDGES

SCALE: 1 INCH = 10 FEET

- NOTE:
1. For right-of-way limits at ditch checks and for easement areas for waste fill, see plan and profile sheets 3 through 6.
  2. For typical plan and sections for field crossings see sheet 14.
  3. For typical cross-section of ditch checks see sheet 5.
  4. For plan and sections of drainage structures see sheets 9 through 14.

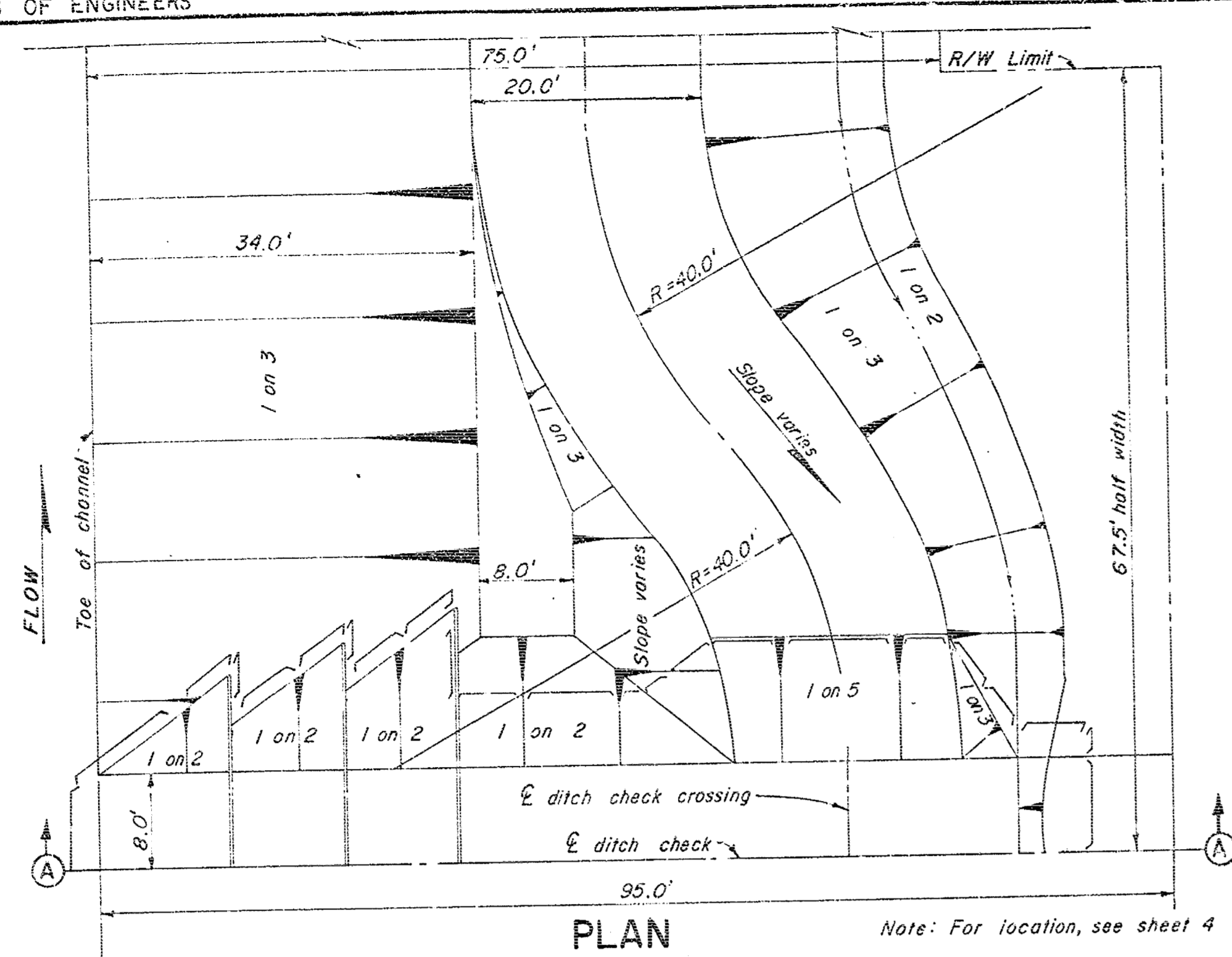
RECORD (AS BUILT) DRAWING

KEY	DATE	REVISION (INDICATED BY 2)	CHD.	REC.	APPR.
1	7-12-63	REVISED AS CONSTRUCTED			
ARKANSAS RIVER WATERSHED ARKANSAS RIVER, KANSAS					
WEST BRANCH CHISHOLM CREEK					
VALLEY CENTER, KANSAS					
CONSTRUCTION OF CHANNEL					
TYPICAL SECTIONS II - CHANNELS B, C & D					
IN 16 SHEETS			SCALE: 1 INCH = 200' HORIZ. 1 INCH = 10' VERT.		SHEET NO. 8
U.S. ARMY ENGINEER DISTRICT, TULSA CORPS OF ENGINEERS, MAR. 1962					
SUBMITTED:		APPROVAL RECOMMENDED:		APPROVED:	
DRAWN: D.K.G.		TO ACCOMPANY SPECIFICATIONS		FOR THE DISTRICT ENGINEER	
CHECKED: J.W. L.H.H.		NO. CIVENG-34-066-63-21		C173-8.1	

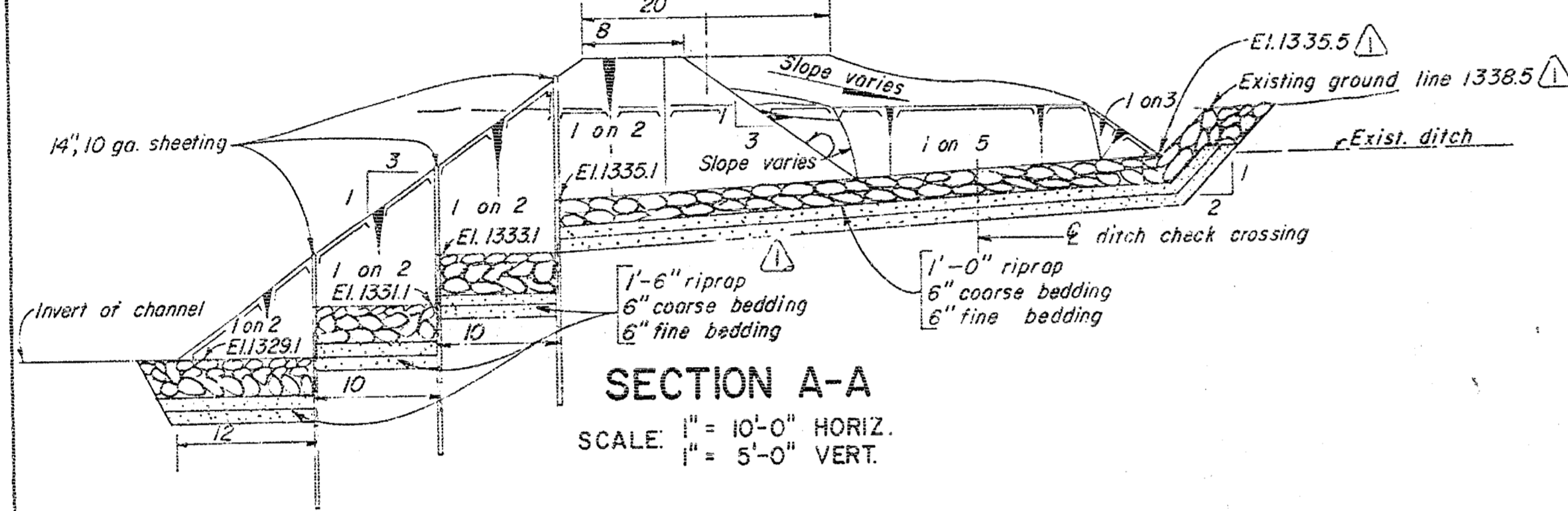
CONTRACT-63-1152



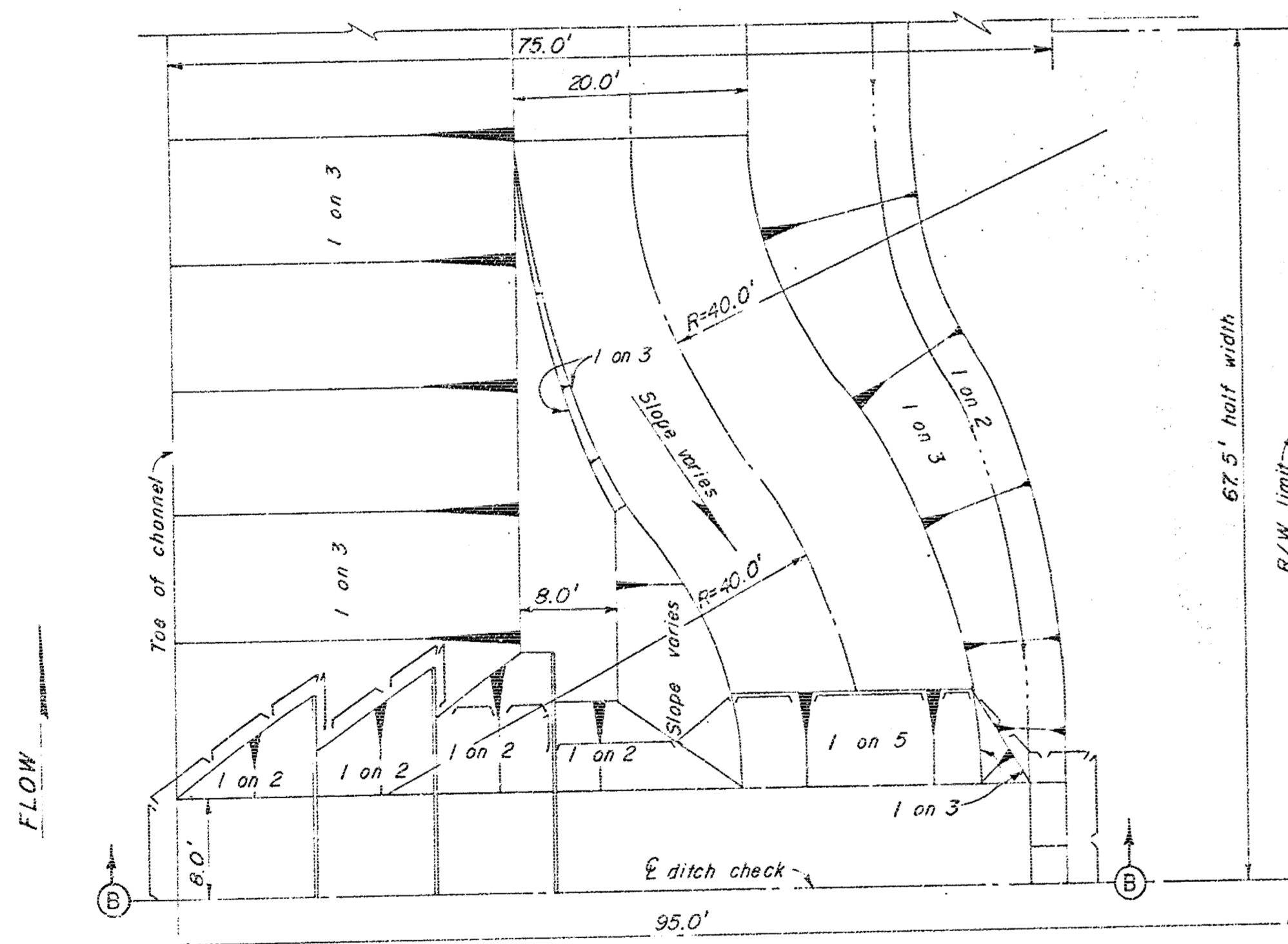
CORPS OF ENGINEERS



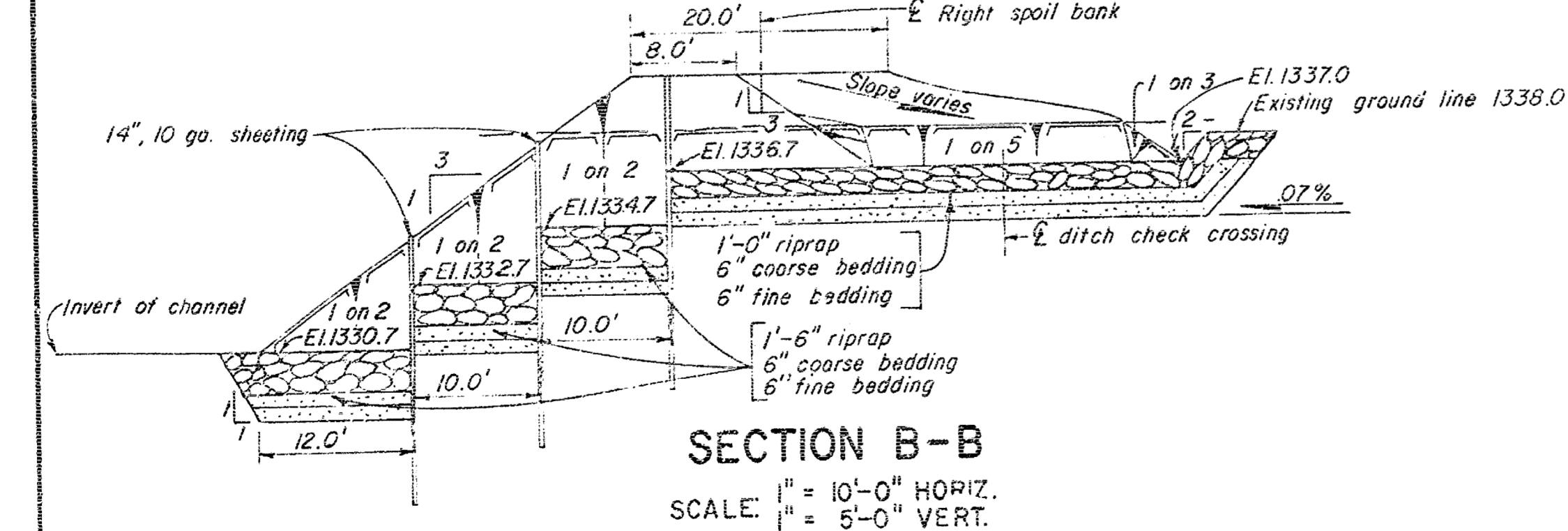
**PLAN**  
3 UNIT DITCH CHECK  
STA. 77+70A RT. SCALE: 1"=10'



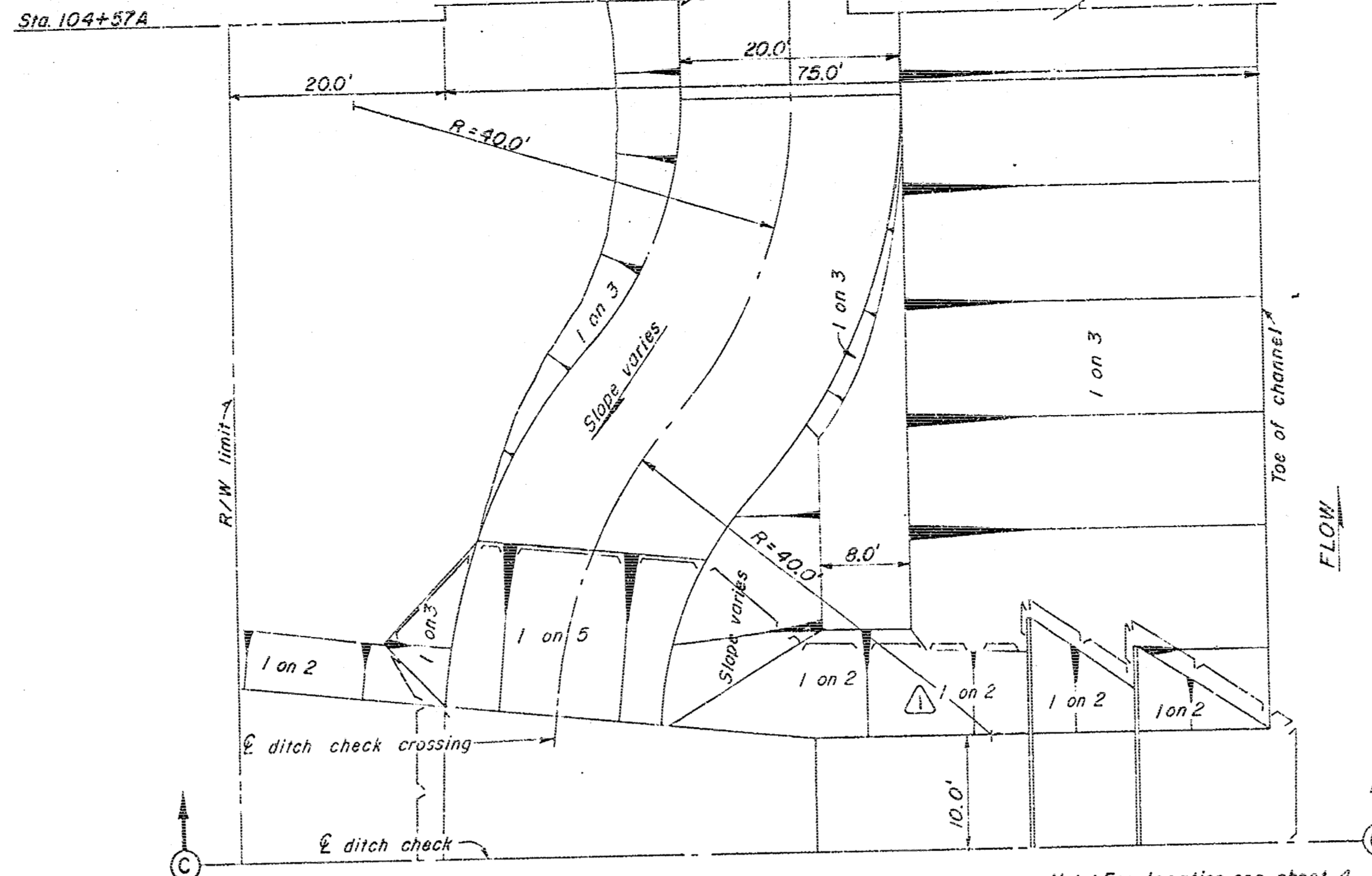
**SECTION A-A**  
SCALE: 1"=10'-0" HORIZ.  
1"=5'-0" VERT.



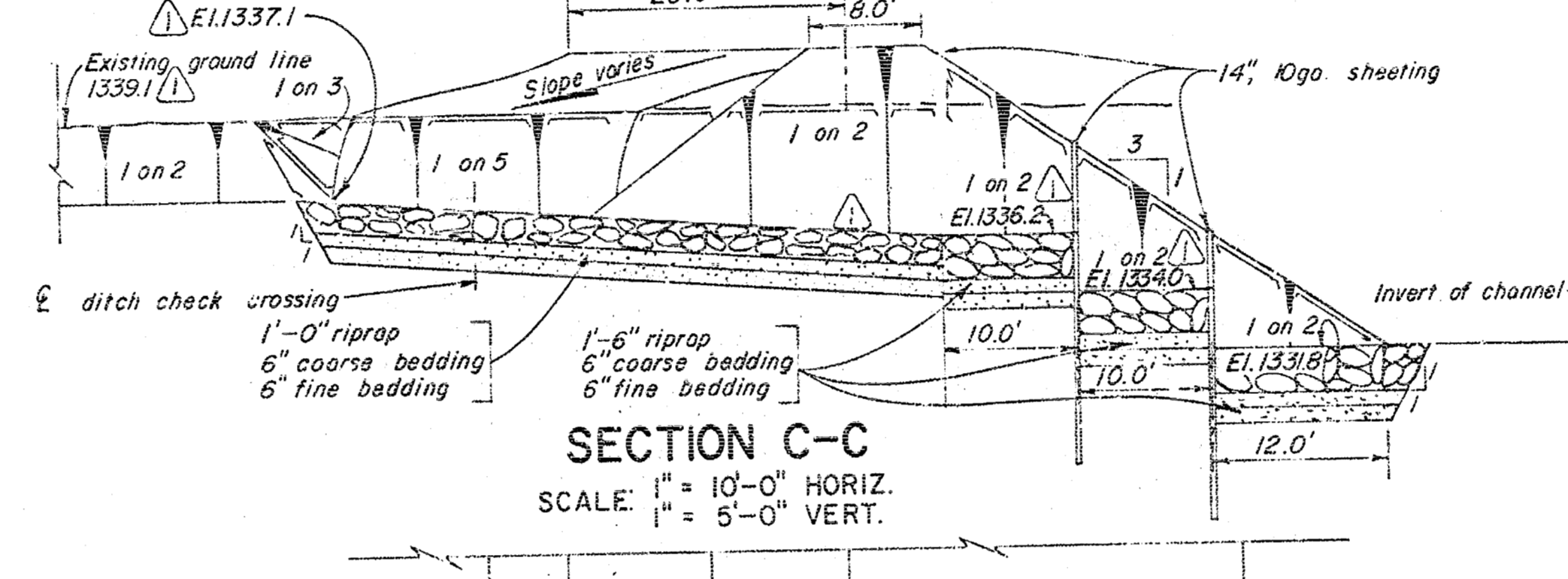
**PLAN**  
3 UNIT DITCH CHECK  
STA. 94+00A RT. SCALE: 1"=10'



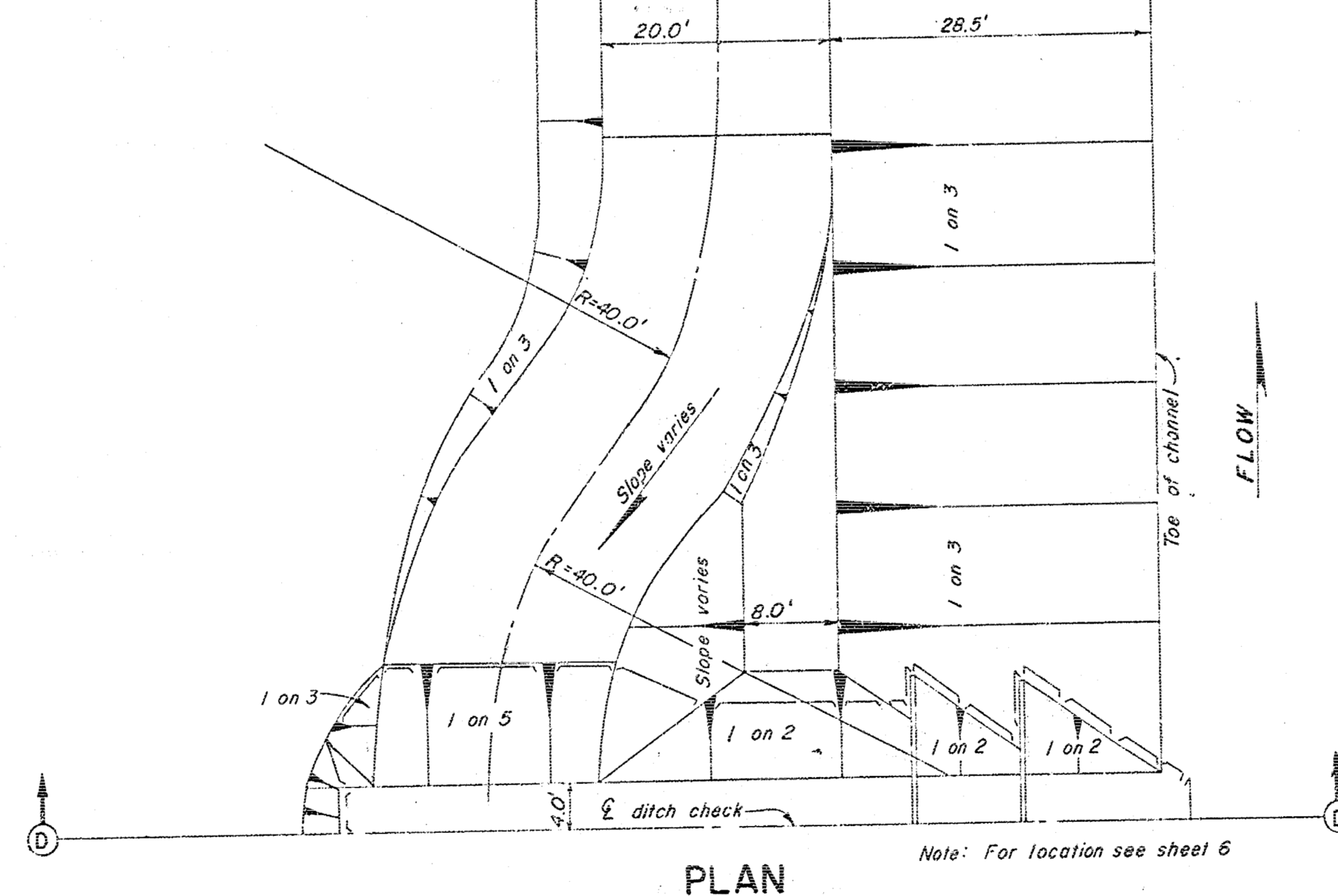
**SECTION B-B**  
SCALE: 1"=10'-0" HORIZ.  
1"=5'-0" VERT.



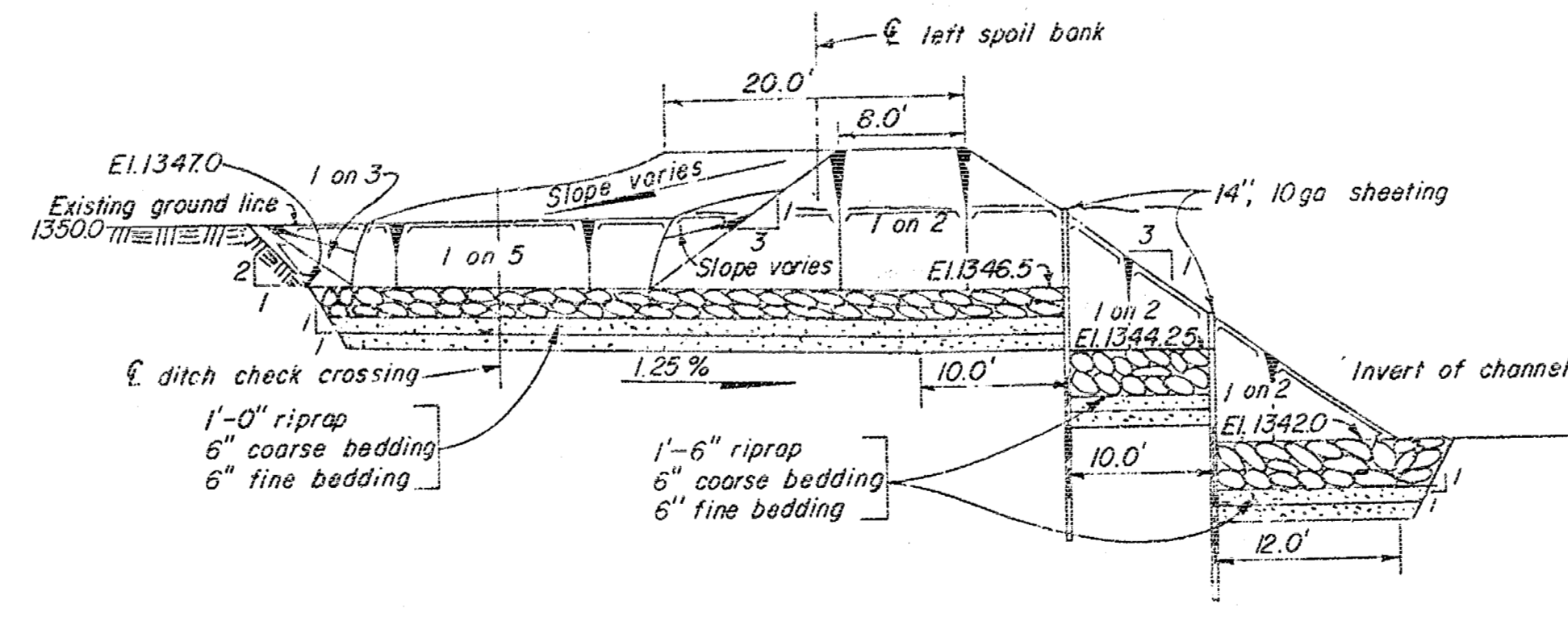
**PLAN**  
2 UNIT DITCH CHECK  
STA. 105+30A LT. SCALE: 1"=10'



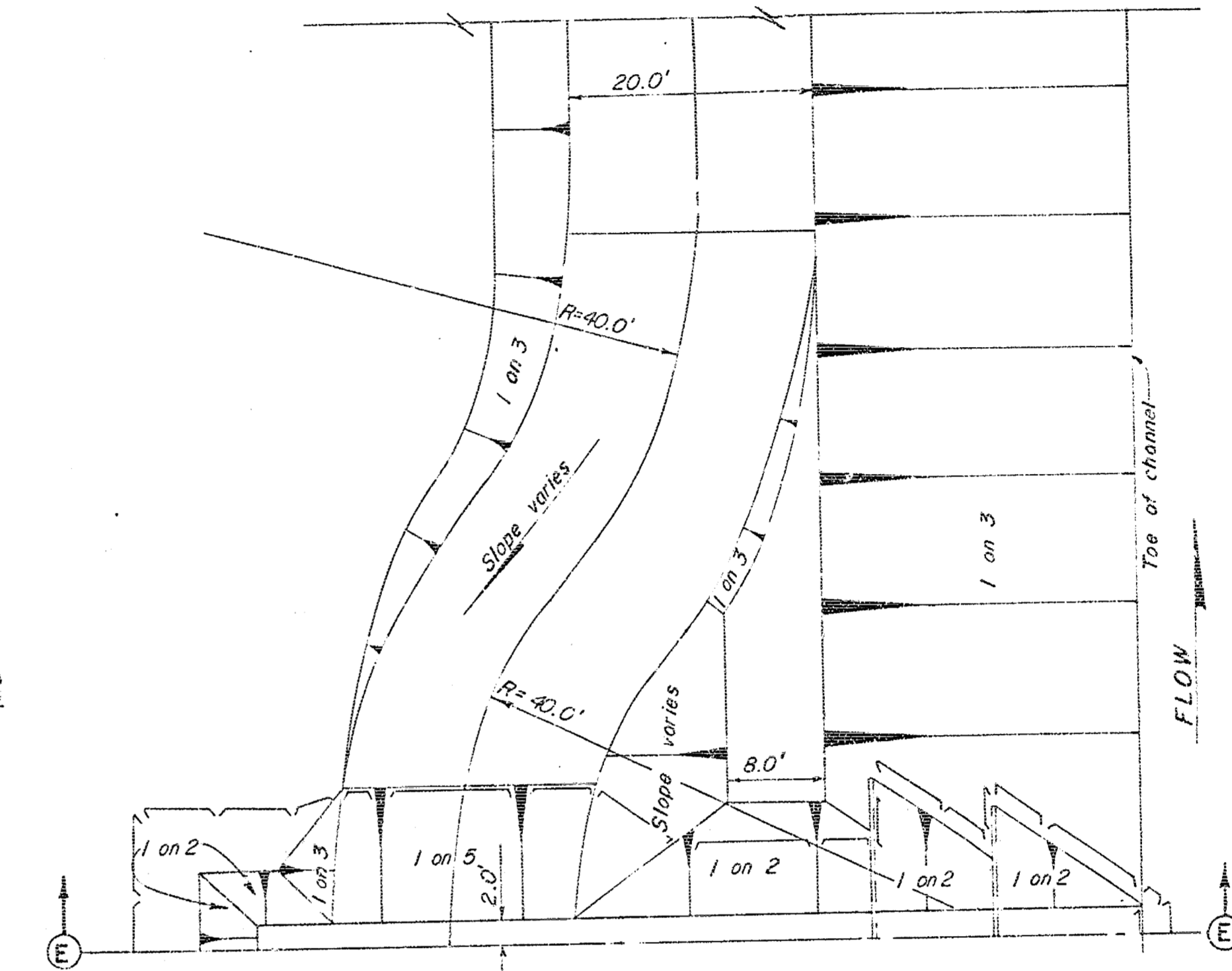
**SECTION C-C**  
SCALE: 1"=10'-0" HORIZ.  
1"=5'-0" VERT.



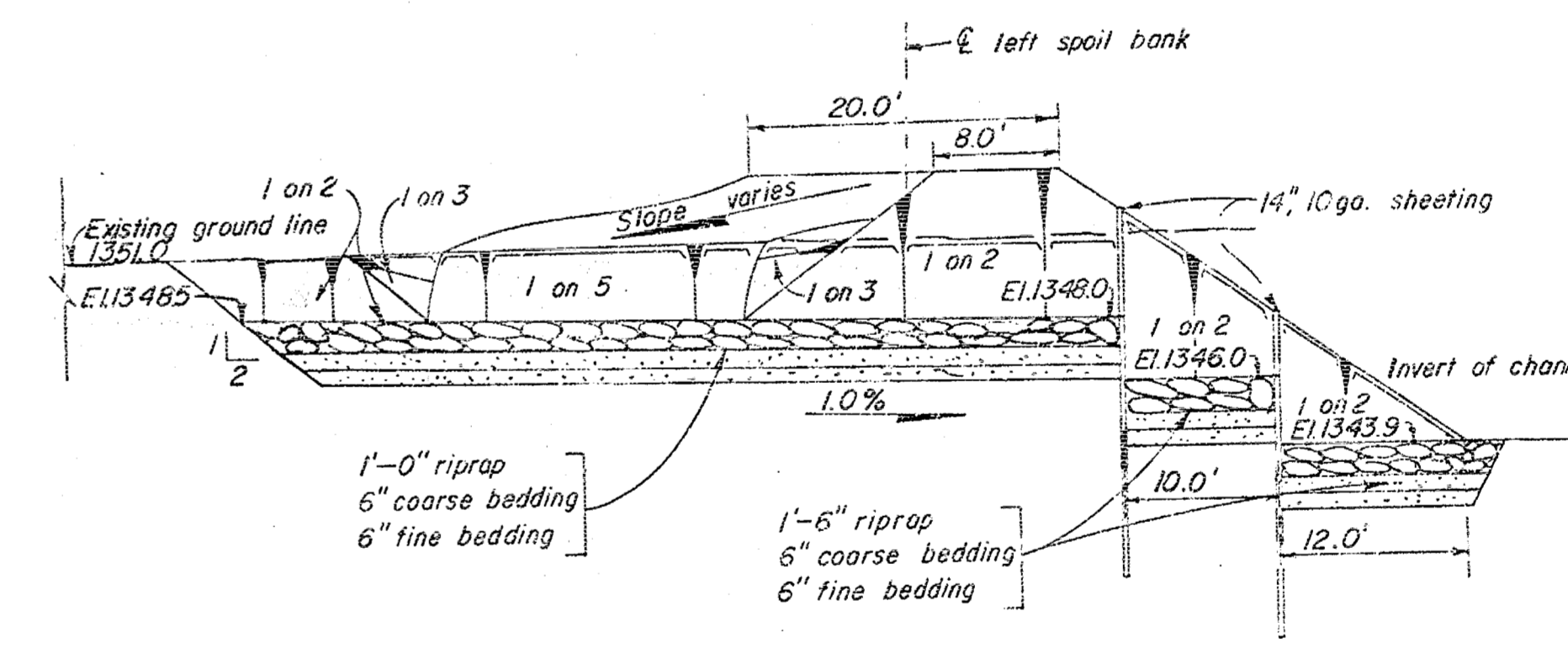
**PLAN**  
2 UNIT DITCH CHECK  
STA. 193+70A LT. SCALE: 1"=10'



**SECTION D-D**  
SCALE: 1"=10'-0" HORIZ.  
1"=5'-0" VERT.



**PLAN**  
2 UNIT DITCH CHECK  
STA. 214+25A LT. SCALE: 1"=10'



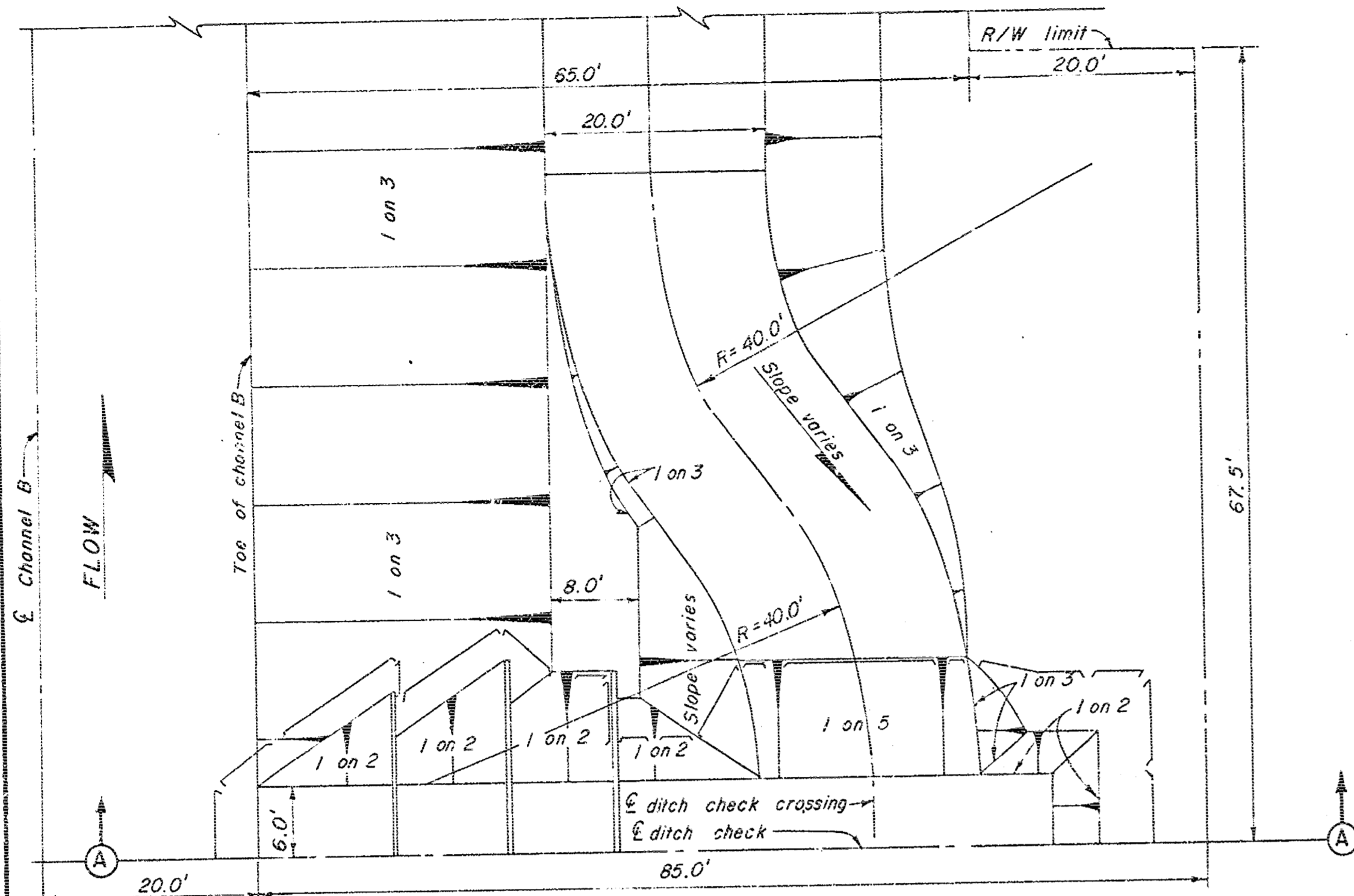
**SECTION E-E**  
SCALE: 1"=10'-0" HORIZ.  
1"=5'-0" VERT.

Notes:  
1. For typical sectional elevation of ditch check, see sheet 9.

RECORD (AS BUILT) DRAWING

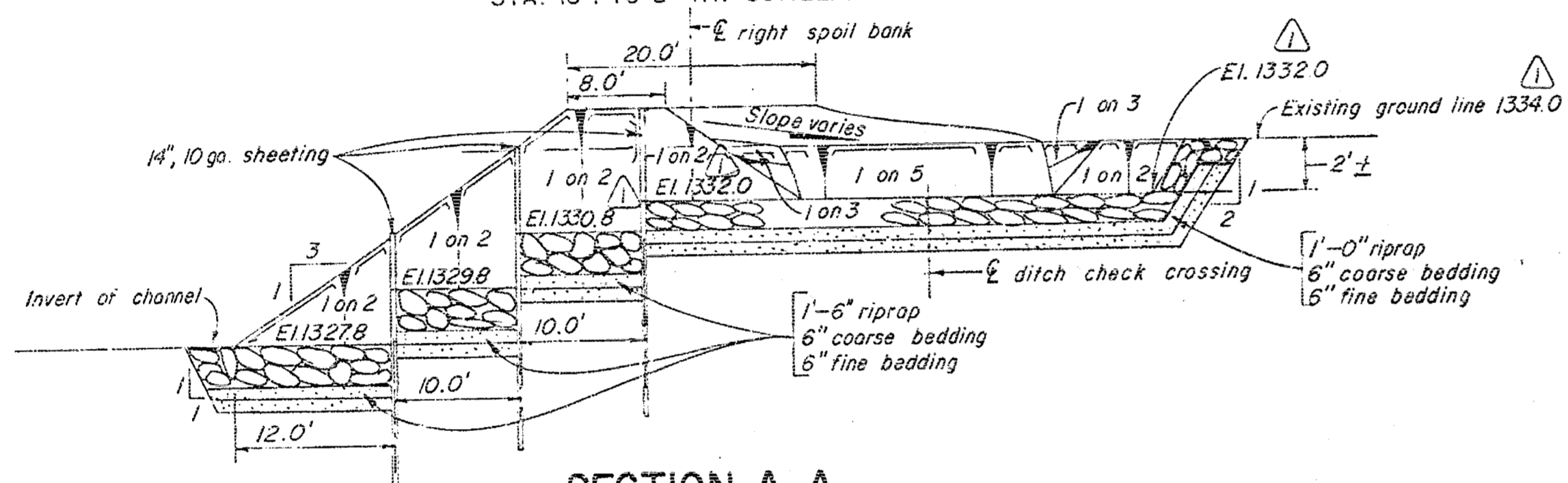
9-12-53		REVISED AS CONSTRUCTED		CHKD	REC	APPR
KEY	DATE	REVISION (INDICATED BY 3)				
ARKANSAS RIVER WATERSHED						
WEST BRANCH CHISHOLM CREEK						
VALLEY CENTER, KANSAS						
CONSTRUCTION OF CHANNEL						
DRAINAGE STRUCTURES II						
IN 16 SHEETS		SCALE: AS SHOWN		SHEET NO. 10		
U. S. ARMY ENGINEER DISTRICT, TULSA, CORPS OF ENGINEERS, MAR. 1962						
SUBMITTED		APPROVAL RECOMMENDED		APPROVED		
DRAWN: D.K.G., N.W.F.		TO ACCOMPANY SPECIFICATIONS		FOR THE DISTRICT ENGINEER		
CHECKED: J.W., L.H.H.		ISSUED UNDER INVITATION		NO. OF SHEETS: 16-53-21		
CONTRACT - 63-1152		C173-10.1				

CORPS OF ENGINEERS

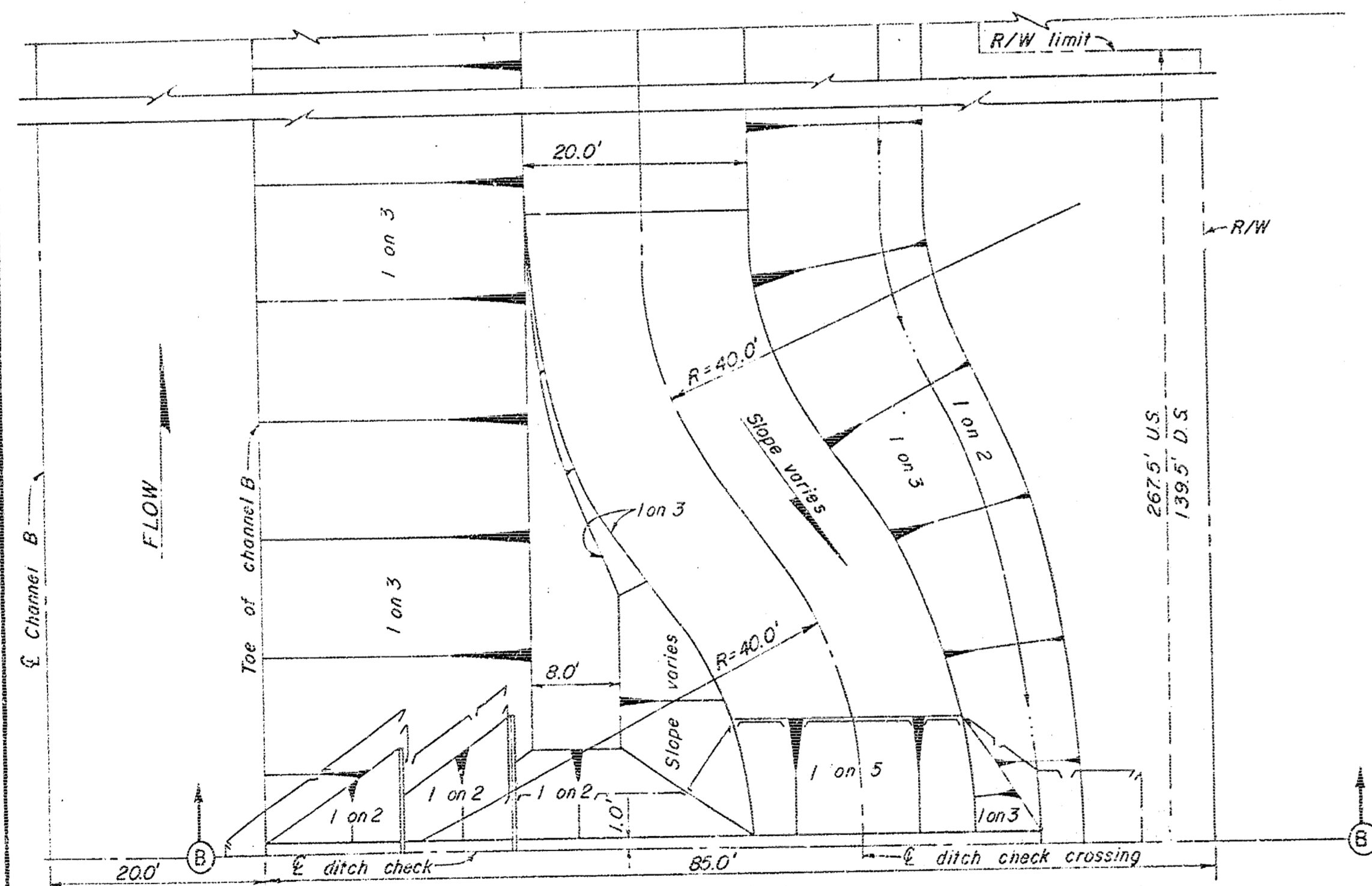


PLAN  
3 UNIT DITCH CHECK  
STA. 10+70 B RT. SCALE: 1"=10'

Note: For location see sheet 3

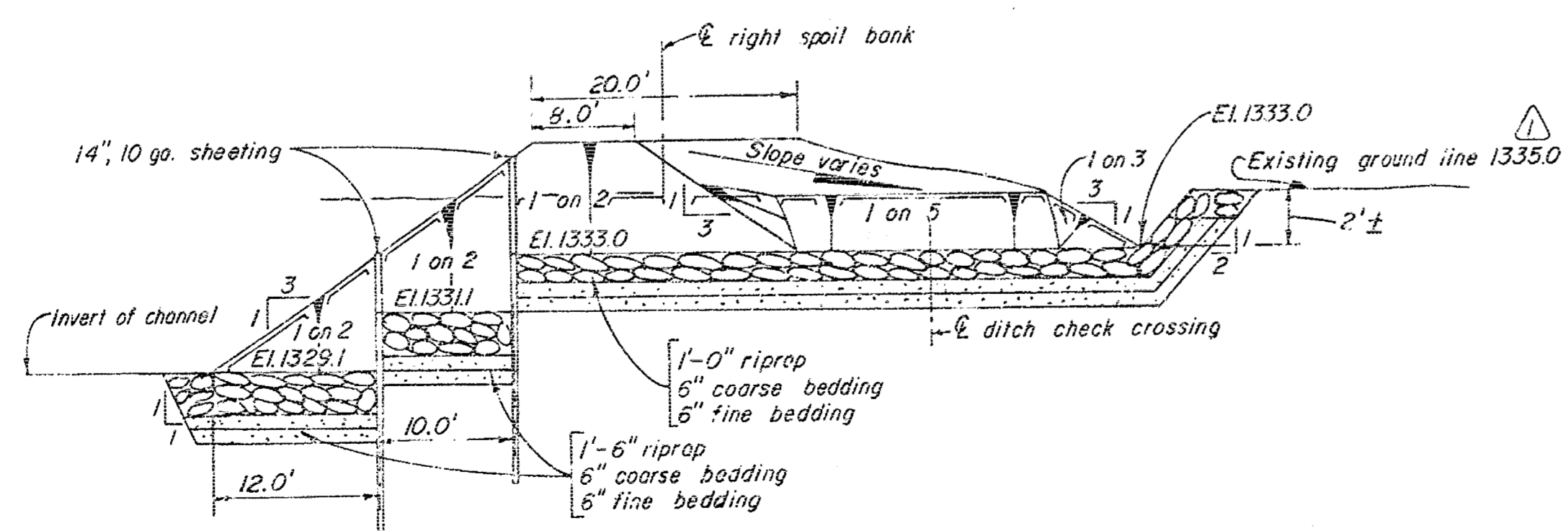


SECTION A-A  
SCALE: 1"=10'-0" HORIZ.  
1"=5'-0" VERT.

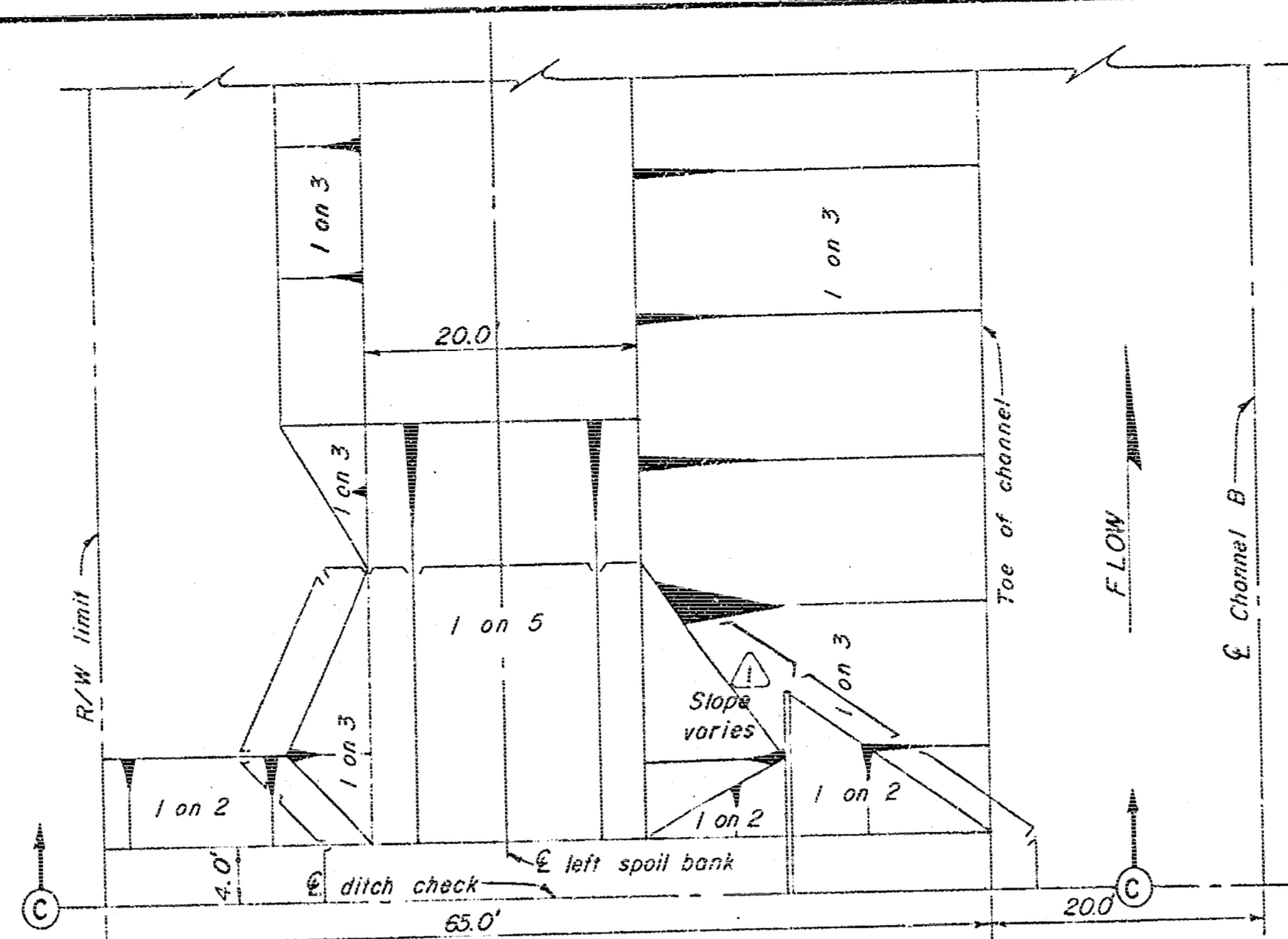


PLAN  
2 UNIT DITCH CHECK  
STA. 20+10 B RT. SCALE: 1"=10'

Note: For location see sheet 3

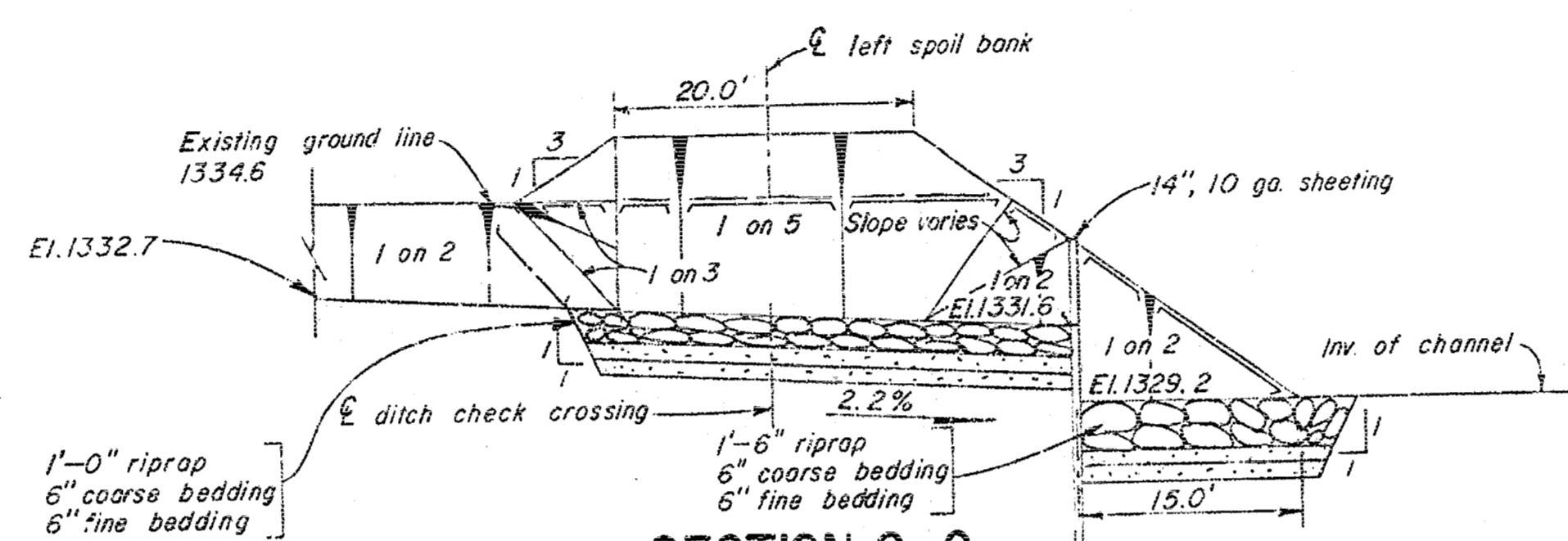


SECTION B-B  
SCALE: 1"=10'-0" HORIZ.  
1"=5'-0" VERT.

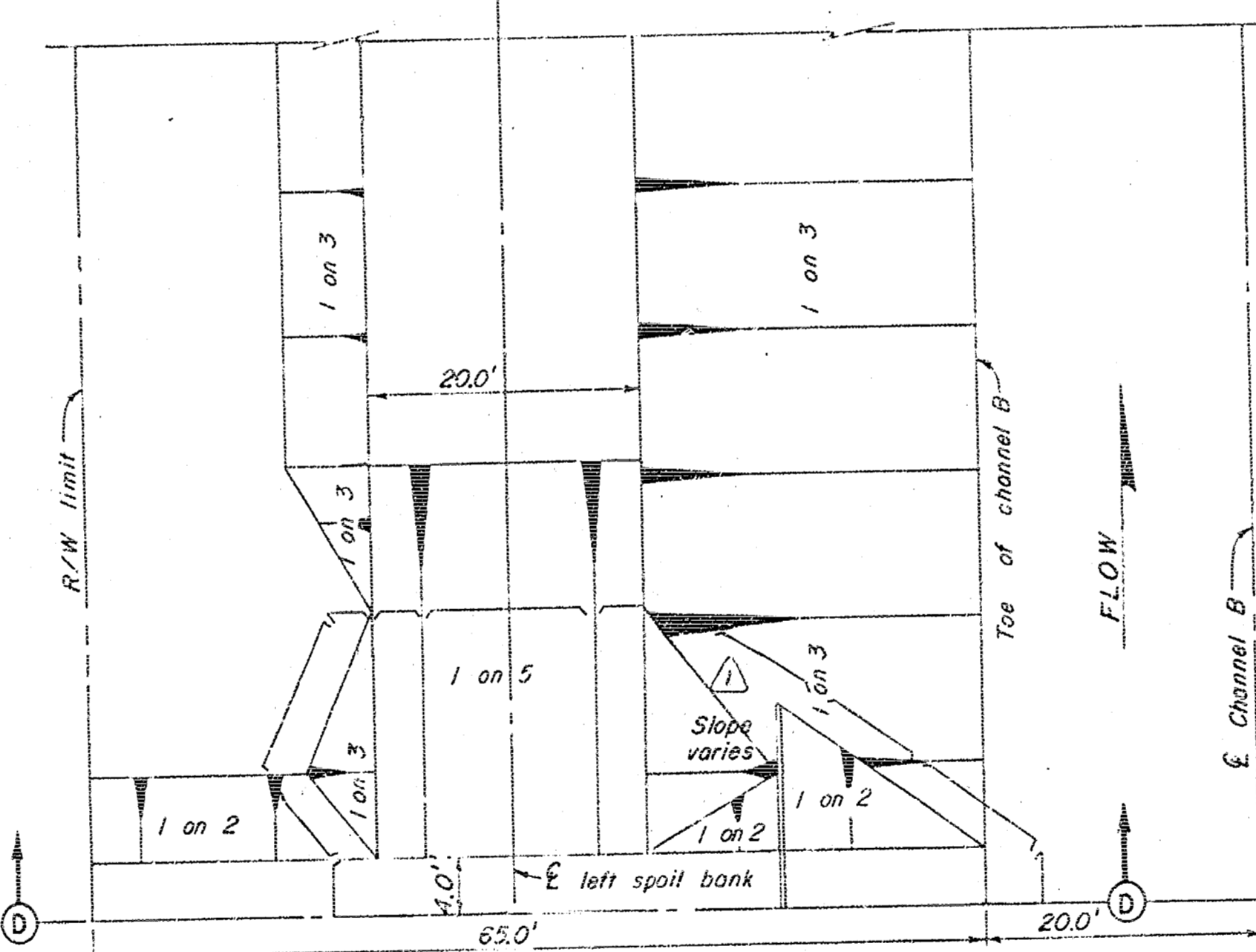


PLAN  
1 UNIT DITCH CHECK  
STA. 20+60 B LT. SCALE: 1"=10'

Note: For location see sheet 3

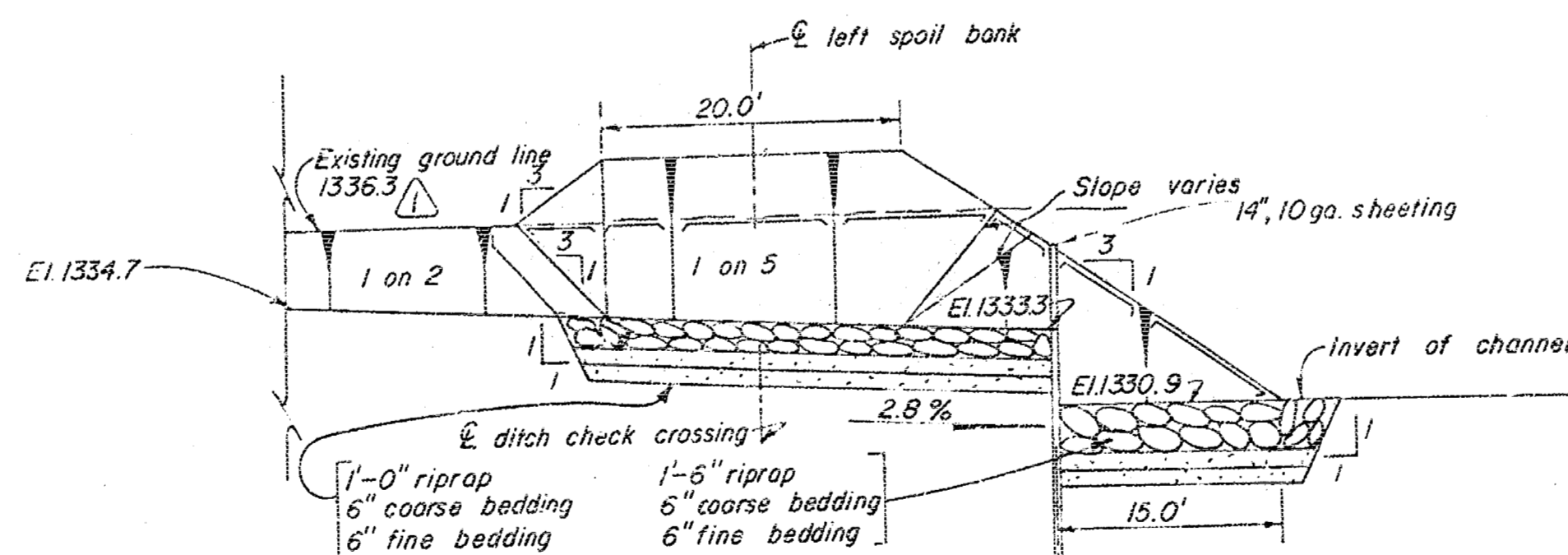


SECTION C-C  
SCALE: 1"=10'-0" HORIZ.  
1"=5'-0" VERT.

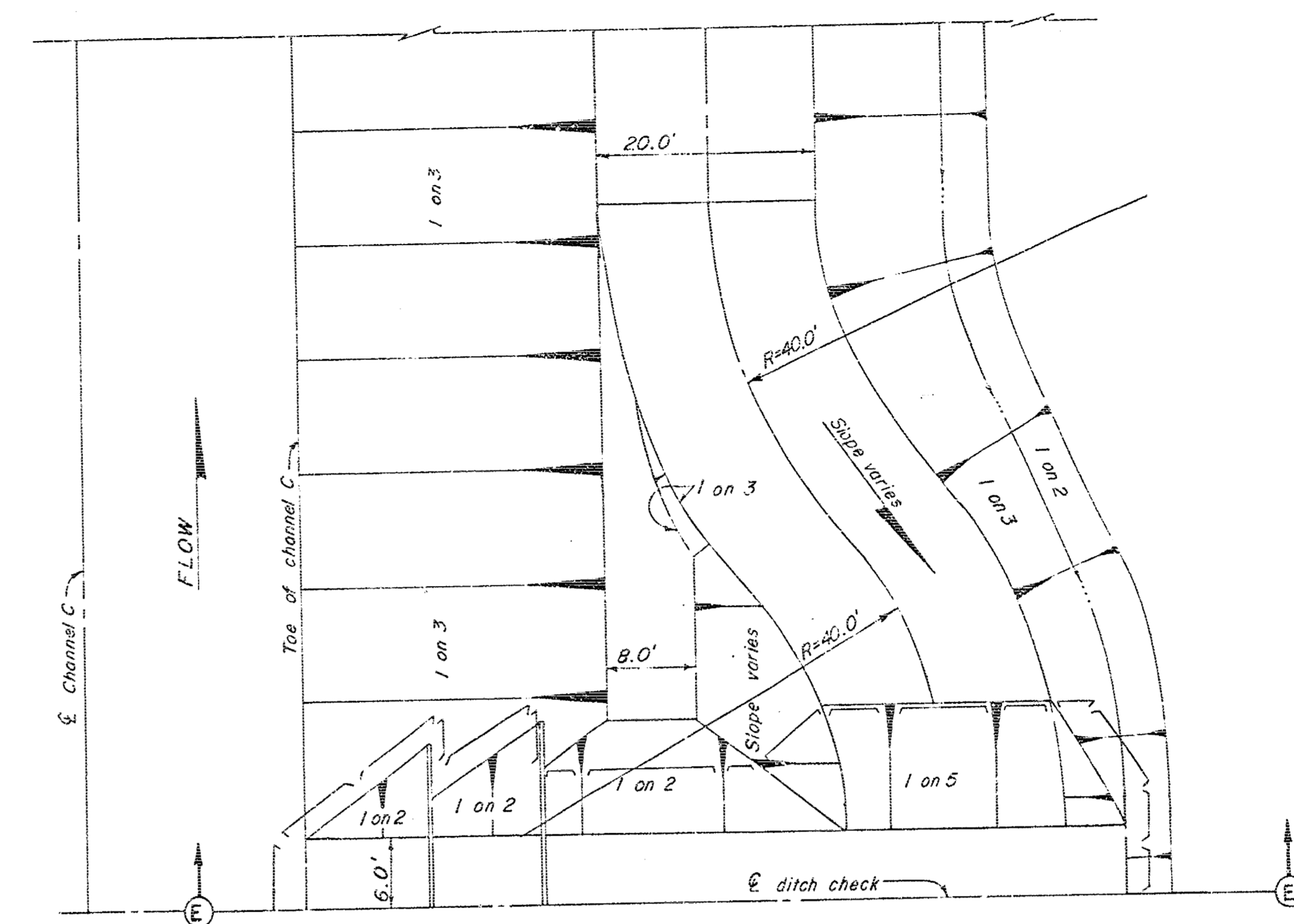


PLAN  
1 UNIT DITCH CHECK  
STA. 32+60 B LT. SCALE: 1"=10'

Note: For location see sheet 3

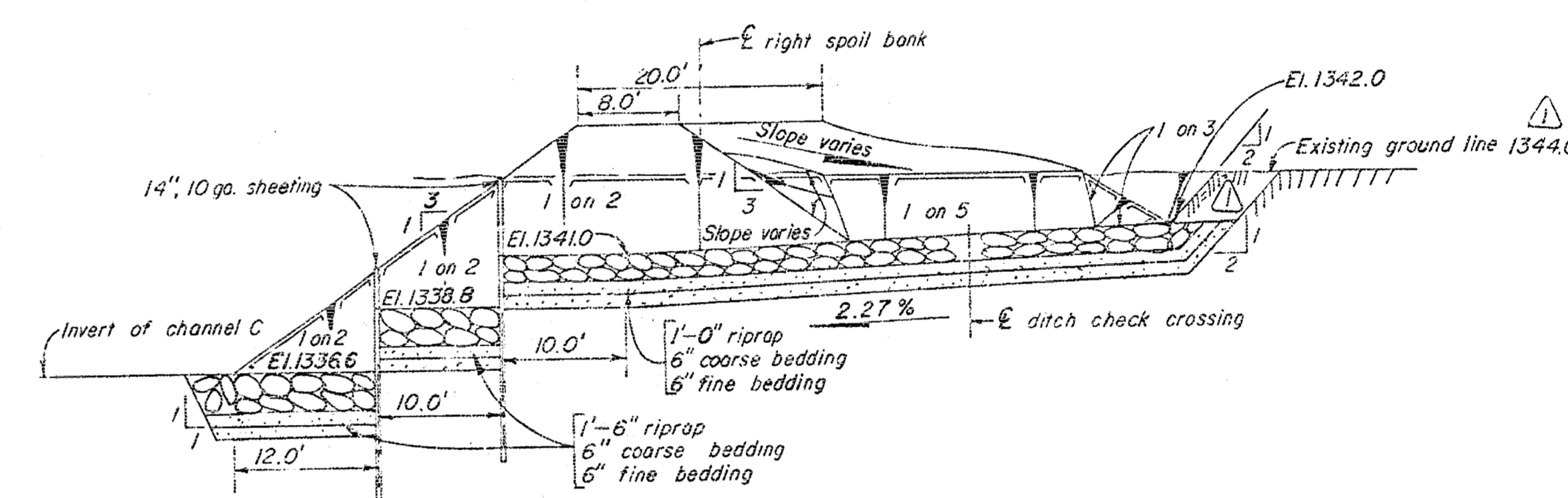


SECTION D-D  
SCALE: 1"=10'-0" HORIZ.  
1"=5'-0" VERT.



PLAN  
2 UNIT DITCH CHECK  
STA. 5+86 C RT. SCALE: 1"=10'

Note: For location see sheet 5



SECTION E-E  
SCALE: 1"=10'-0" HORIZ.  
1"=5'-0" VERT.

Notes:  
1. For typical sectional elevation of ditch checks, see sheet 5.

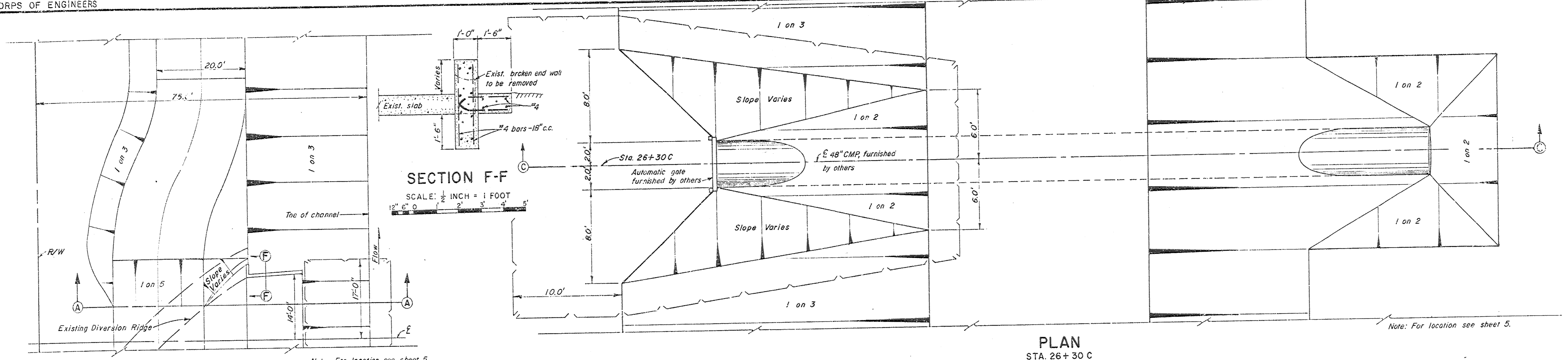
RECORD (AS BUILT) DRAWING

KEY	DATE	REVISION (INDICATED BY #)
1	9-12-63	REVISED AS CONSTRUCTED
ARIZONA RIVER WATERSHED ARKANSAS RIVER, KANSAS		
WEST BRANCH CHISHOLM CREEK		
VALLEY CENTER, KANSAS		
CONSTRUCTION OF CHANNEL		
DRAINAGE STRUCTURES III		
IN 16 SHEETS	SCALE: AS SHOWN	SHEET NO. 11
U. S. ARMY ENGINEER DISTRICT, TULSA, CORPS OF ENGINEERS, MAR. 1962		
SUBMITTED: APPROVAL RECOMMENDED: APPROVED:		
DRAWN: G.O.C., N.W.F. TO ACCOMPANY SPECIFICATIONS FOR THE DISTRICT ENGINEER		
CHECKED: J.W.L.H. NO. CIVENG-34-066-63-21		
C173-11.1		

CONTRACT-63-1152

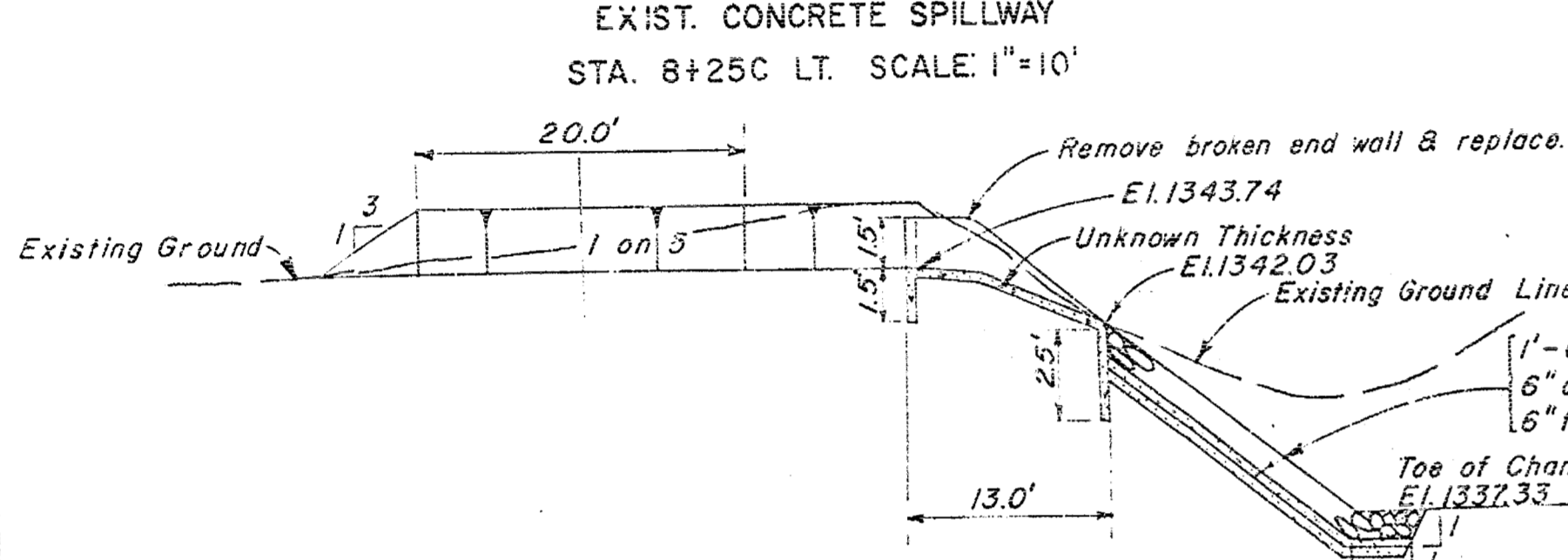
11

CORPS OF ENGINEERS

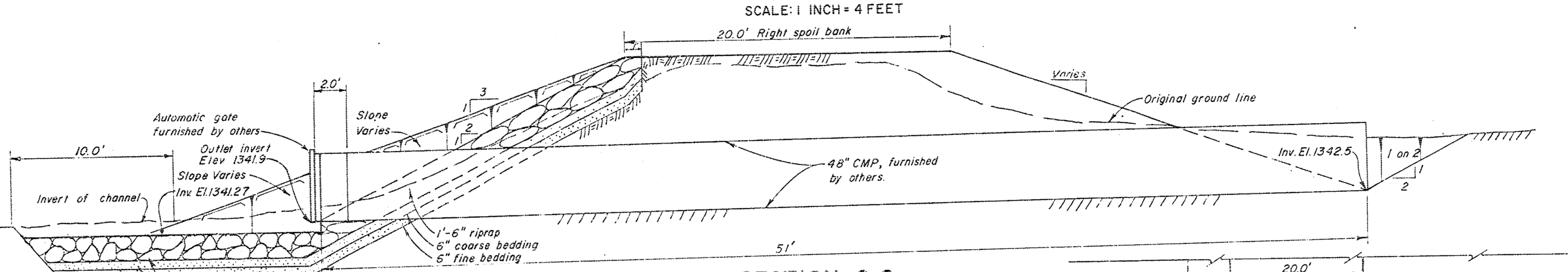


SECTION F-F  
SCALE: 1/2 INCH = 1 FOOT

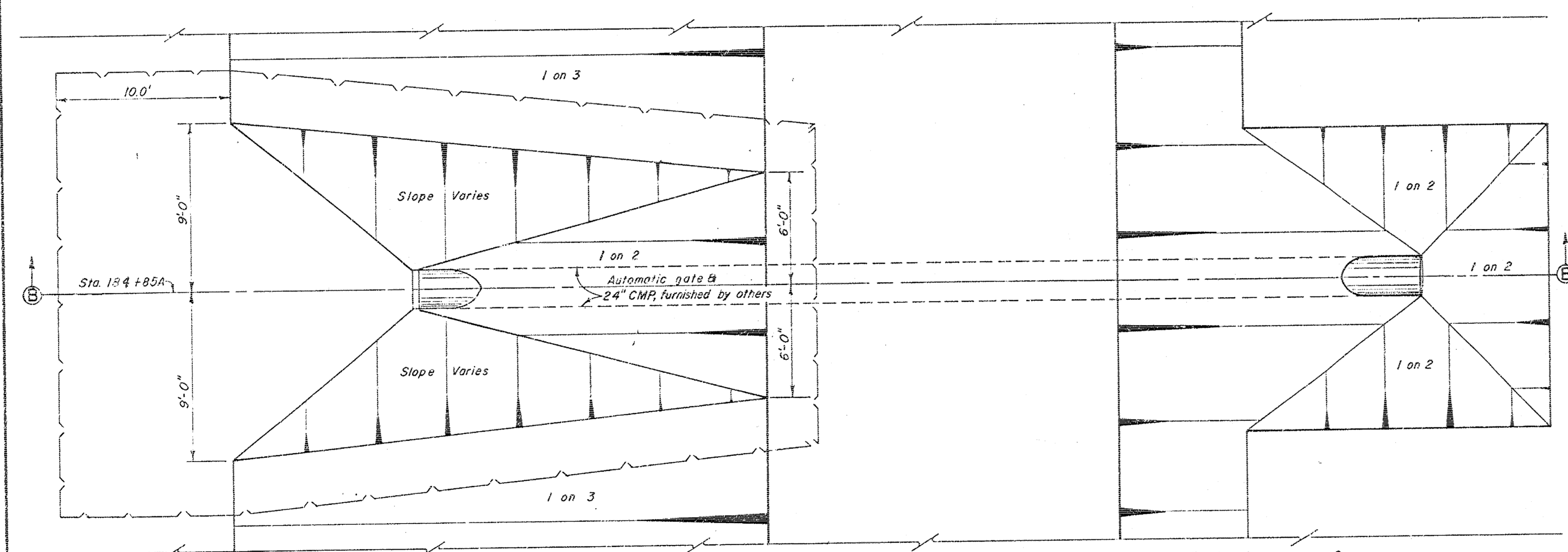
PLAN  
EXIST. CONCRETE SPILLWAY  
STA. 8+25C LT. SCALE: 1"=10'



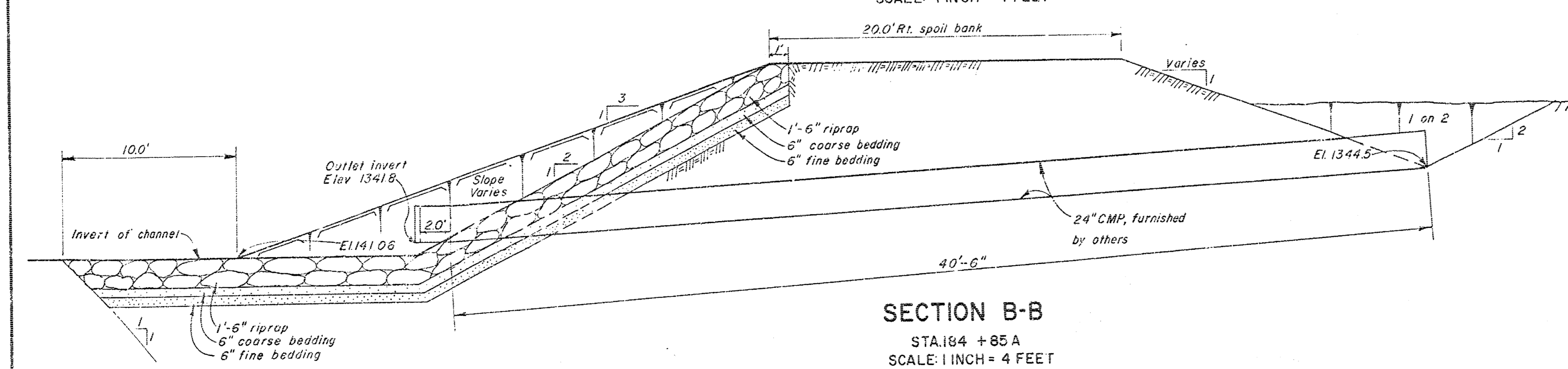
SECTION A-A  
SCALE: 1"=10'-0" HORIZ.  
1"=5'-0" VERT.



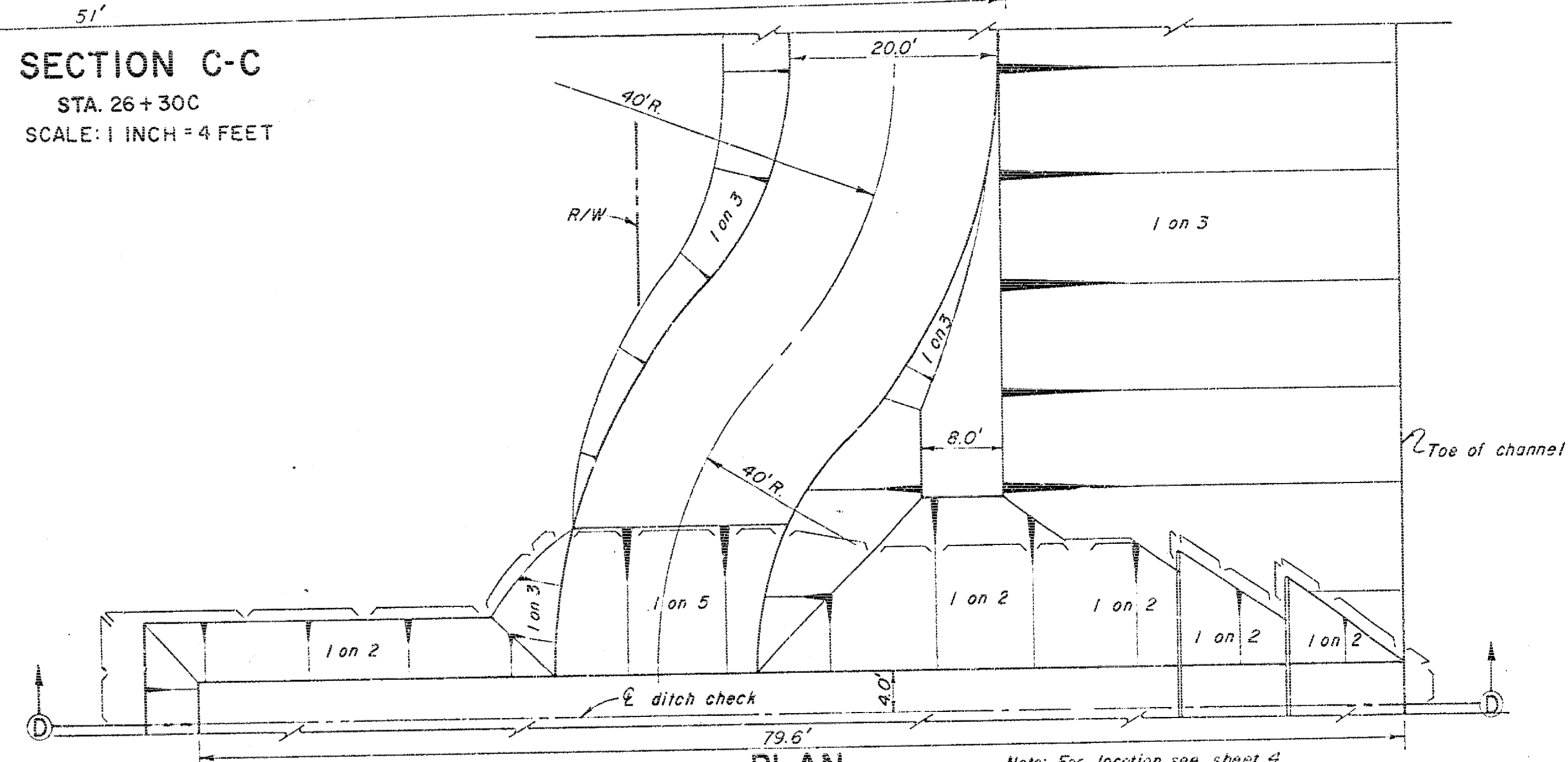
SECTION C-C  
STA. 26+30C  
SCALE: 1 INCH = 4 FEET



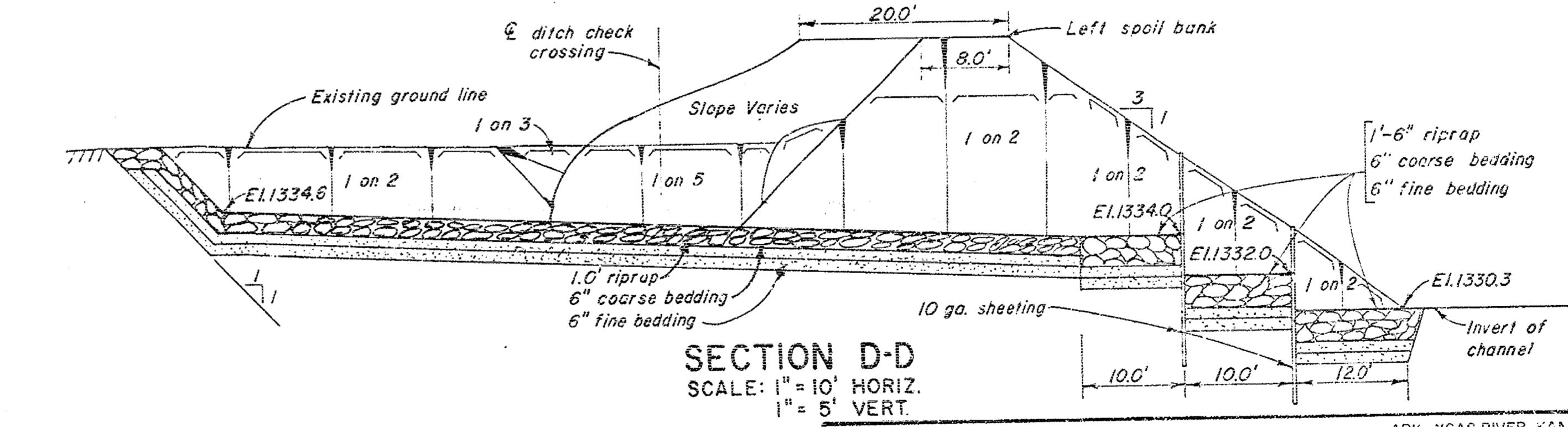
PLAN  
STA. 154+85A  
SCALE: 1 INCH = 4 FEET



SECTION B-B  
STA. 154+85A  
SCALE: 1 INCH = 4 FEET



PLAN  
2-UNIT DITCH CHECK  
STA. 98+00A LT. SCALE: 1"=10'



SECTION D-D  
SCALE: 1"=10' HORIZ.  
1"=5' VERT.

NOTE:  
1. For typical elevation of ditch checks, see sheet 9.

RECORD (AS BUILT) DRAWING

ARIZONA RIVER WATERSHED  
WEST BRANCH CHISHOLM CREEK  
VALLEY CENTER, KANSAS  
CONSTRUCTION OF CHANNEL  
DRAINAGE STRUCTURES IV

IN 16 SHEETS SCALE: AS SHOWN SHEET NO. 12

U.S. ARMY ENGINEER DISTRICT, TULSA, CORPS OF ENGINEERS, MAR. 1962

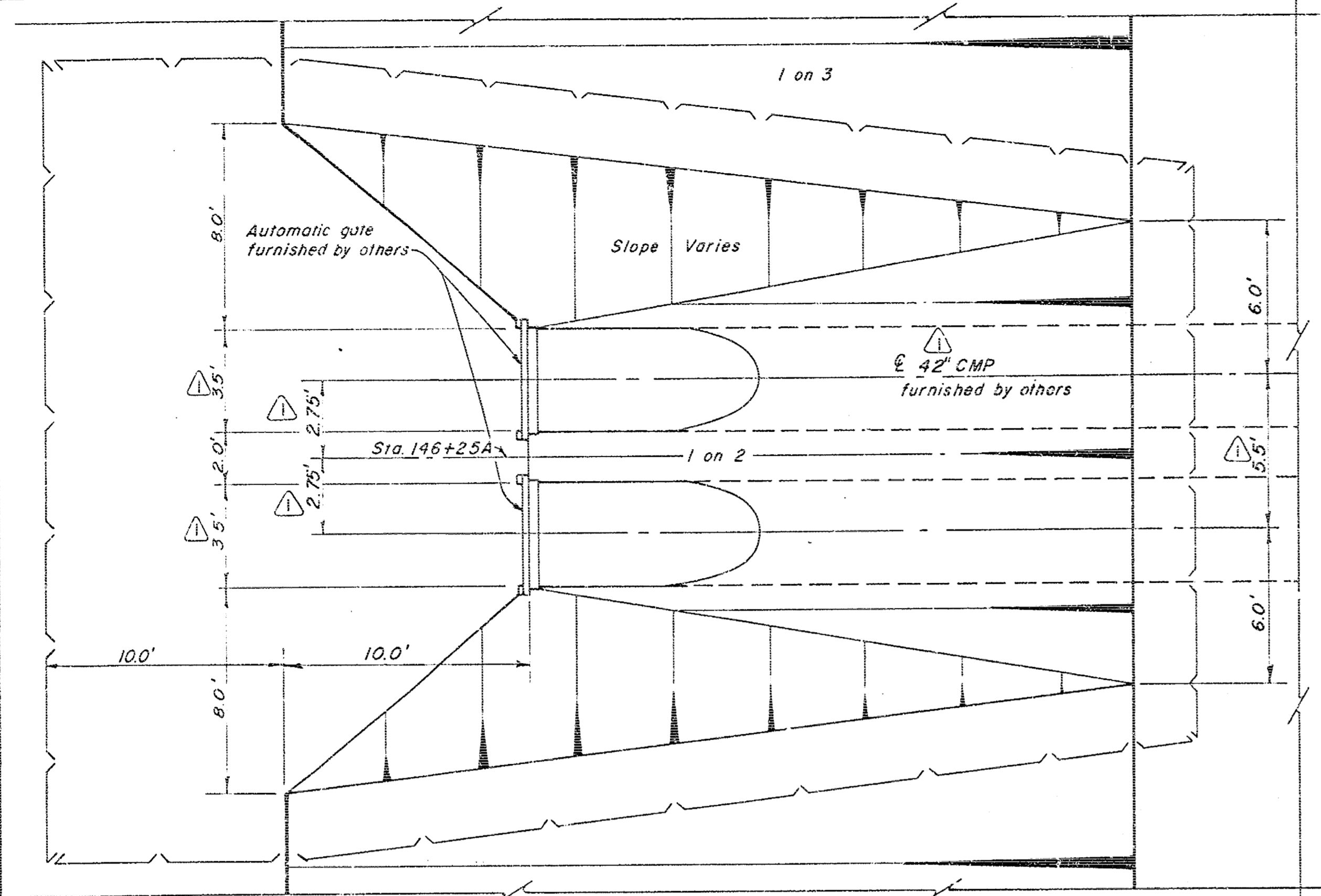
APPROVED: [Signature]  
SUBMITTED: [Signature]

CHIEF, GENL. ENGRS. SECT. D CHIEF, DESIGN BRANCH B CHIEF, ENGR. DIVISION  
DRAWN: G.O.C., N.W.F. TO ACCOMPANY SPECIFICATIONS FOR THE DISTRICT ENGINEER  
TRACED: ISSUED UNDER INVITATION NO. CIVENG-34-056-63-21

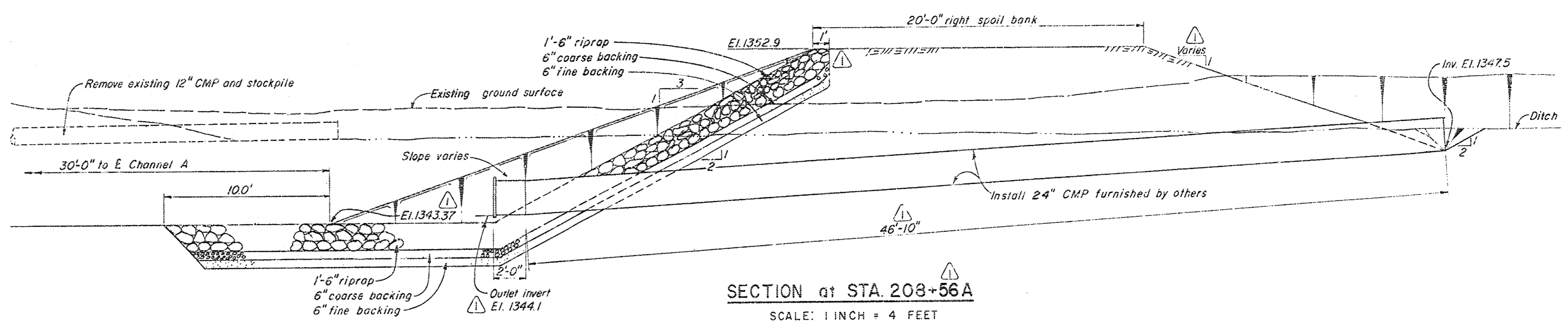
CHECKED: J.W., J.H.H. NO. CIVENG-34-056-63-21

CONTRACT 63-1152

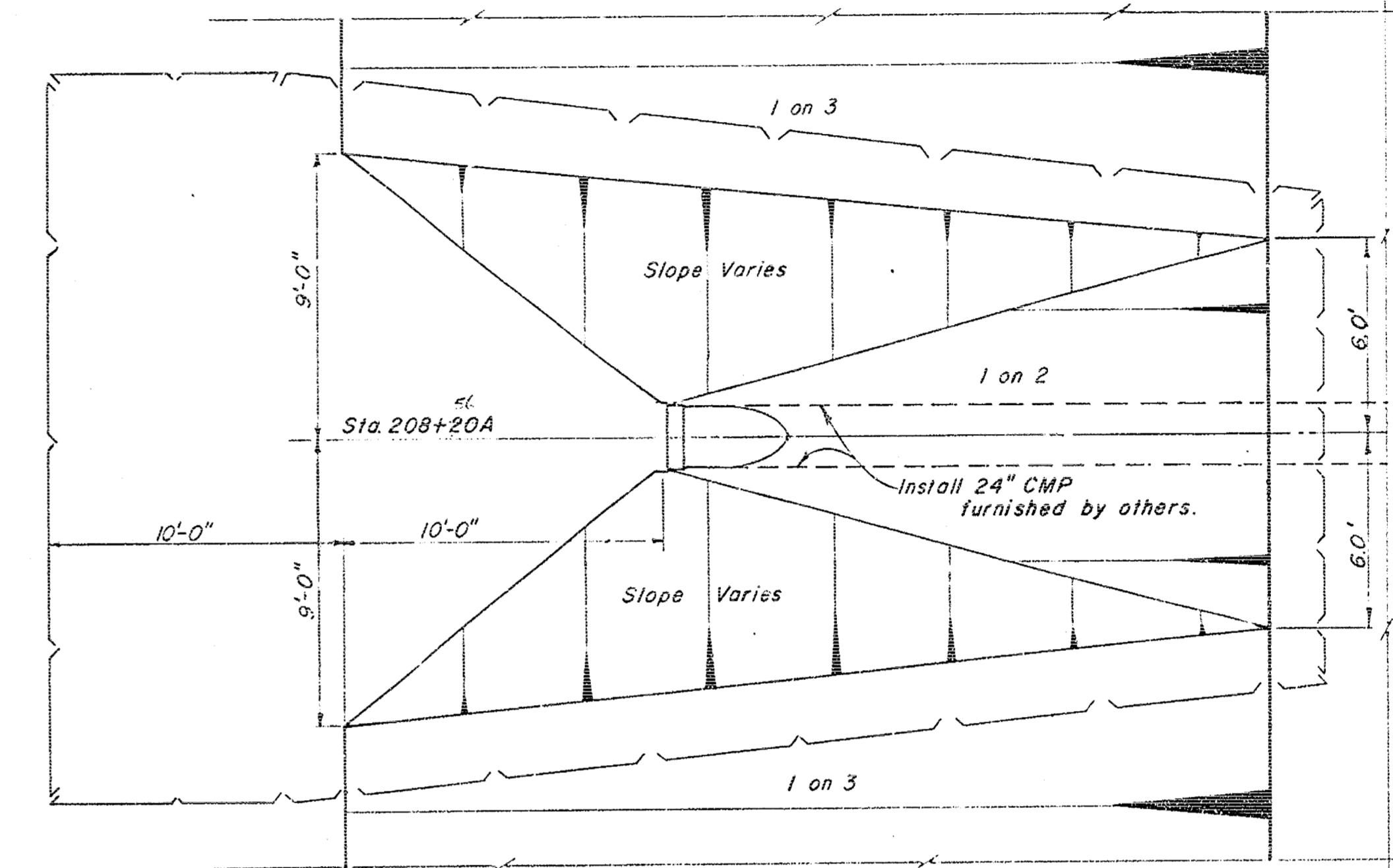
1	9-2-43	REVISED AS CONSTRUCTED	REVISION INDICATED BY Δ	OK'D	REC.	APPR.
---	--------	------------------------	-------------------------	------	------	-------



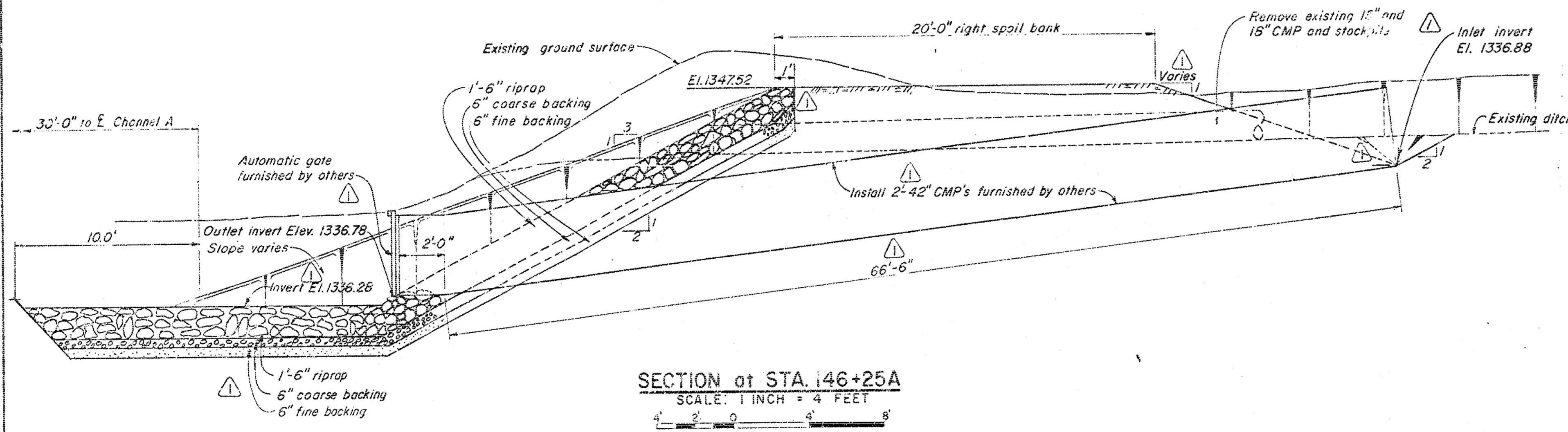
PLAN at STA. 146+25A  
SCALE: 1 INCH = 4 FEET  
NOTE: For location see sheet 5



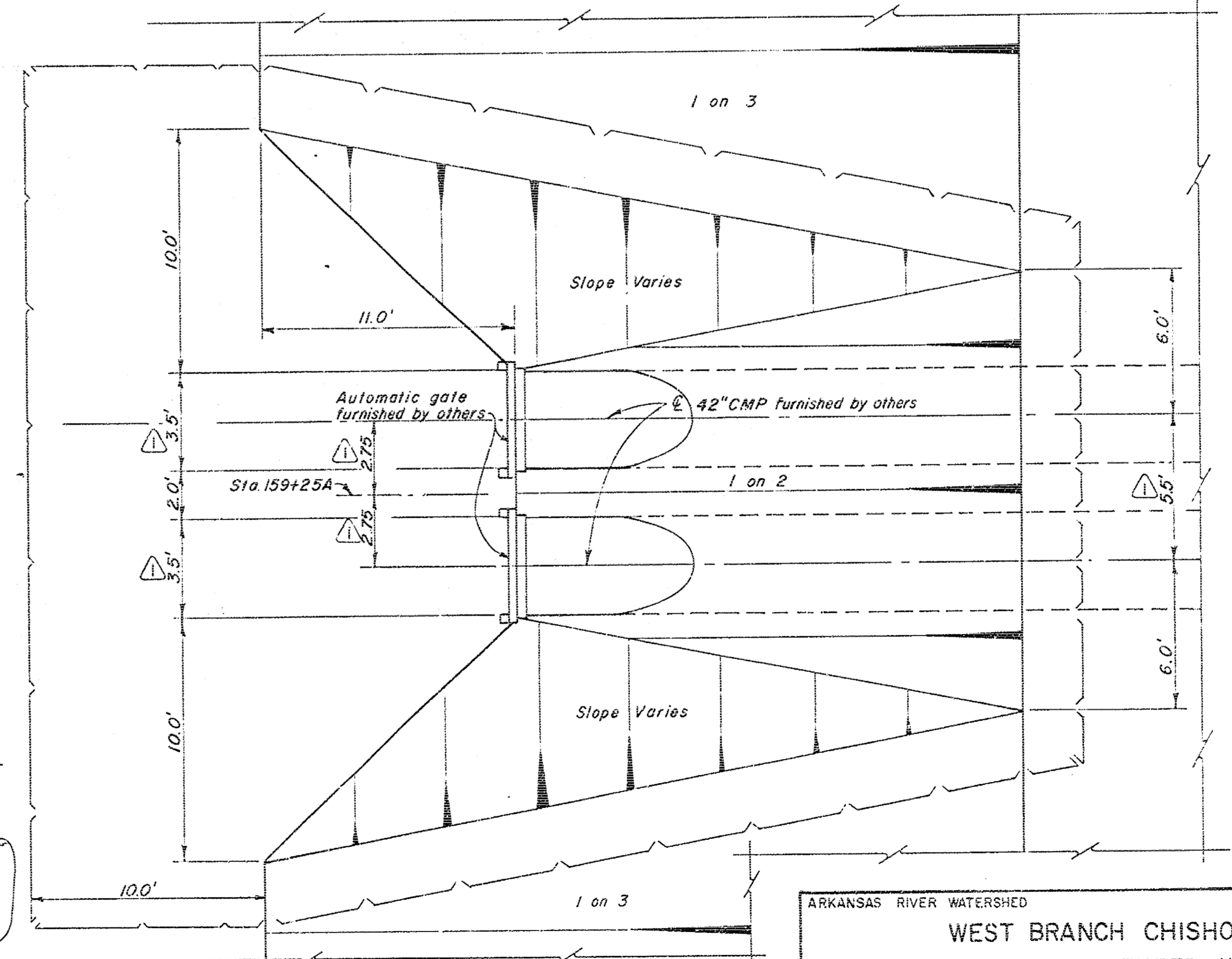
SECTION at STA. 208+56A  
SCALE: 1 INCH = 4 FEET



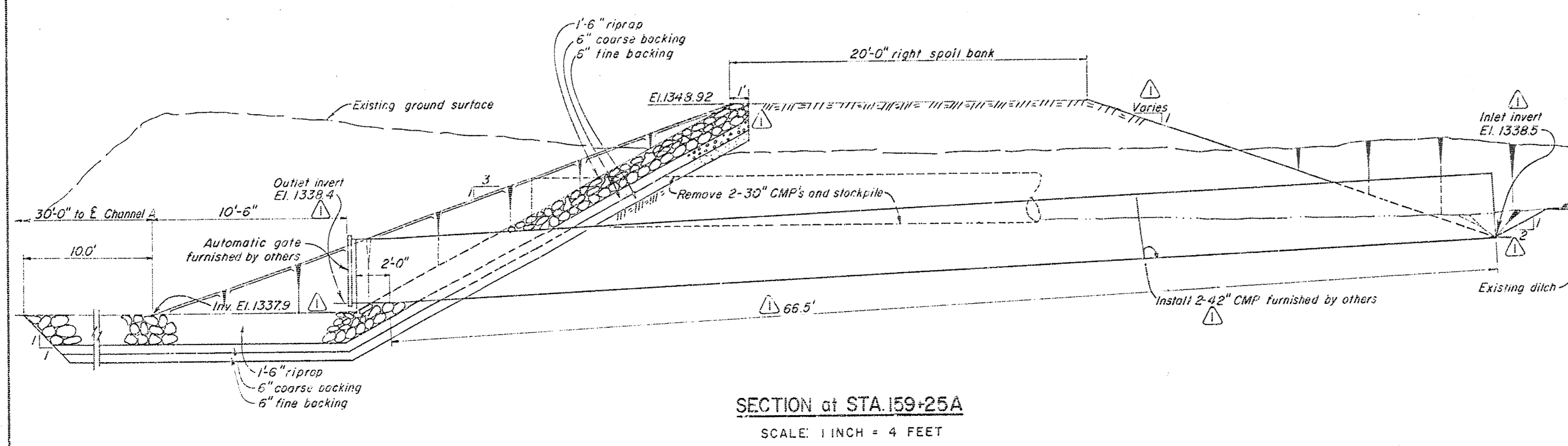
PLAN at STA. 208+56A  
SCALE: 1 INCH = 4 FEET  
Note: For location see sheet 6



SECTION at STA. 146+25A  
SCALE: 1 INCH = 4 FEET



PLAN at STA. 159+25A  
SCALE: 1 INCH = 4 FEET  
NOTE: For location, see sheet 5



SECTION at STA. 159+25A  
SCALE: 1 INCH = 4 FEET

ARKANSAS RIVER WATERSHED  
WEST BRANCH CHISHOLM CREEK  
VALLEY CENTER, KANSAS  
CONSTRUCTION OF CHANNEL  
DRAINAGE STRUCTURES  $\nabla$

IN 16 SHEETS SCALE: AS SHOWN SHEET NO. 13

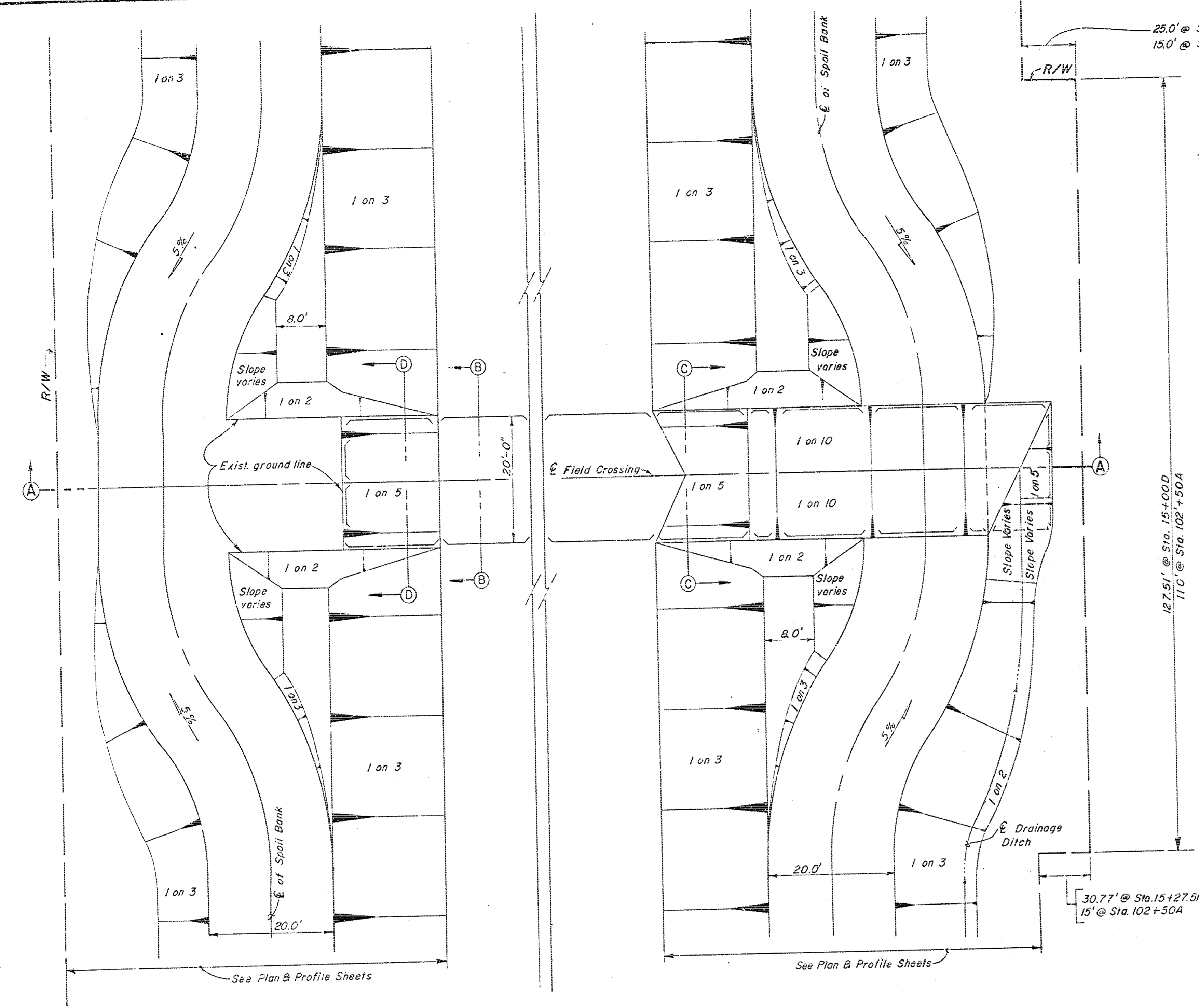
U.S. ARMY ENGINEER DISTRICT, TULSA, CORPS OF ENGINEERS, MAR. 1962  
SUBMITTED: APPROVAL RECOMMENDED: APPROVED:

CHIEF, ENGR. DIVISION  
TO ACCOMPANY SPECIFICATION FOR THE DISTRICT ENGINEER

ISSUED UNDER INVITATION NO. CIVENG-34-C66-63-21  
C173-13.1

KEY	DATE	REVISION (INDICATED BY Δ)	CHKD.	REC.	APPR.
1	9-12-63	REVISED AS CONSTRUCTED			

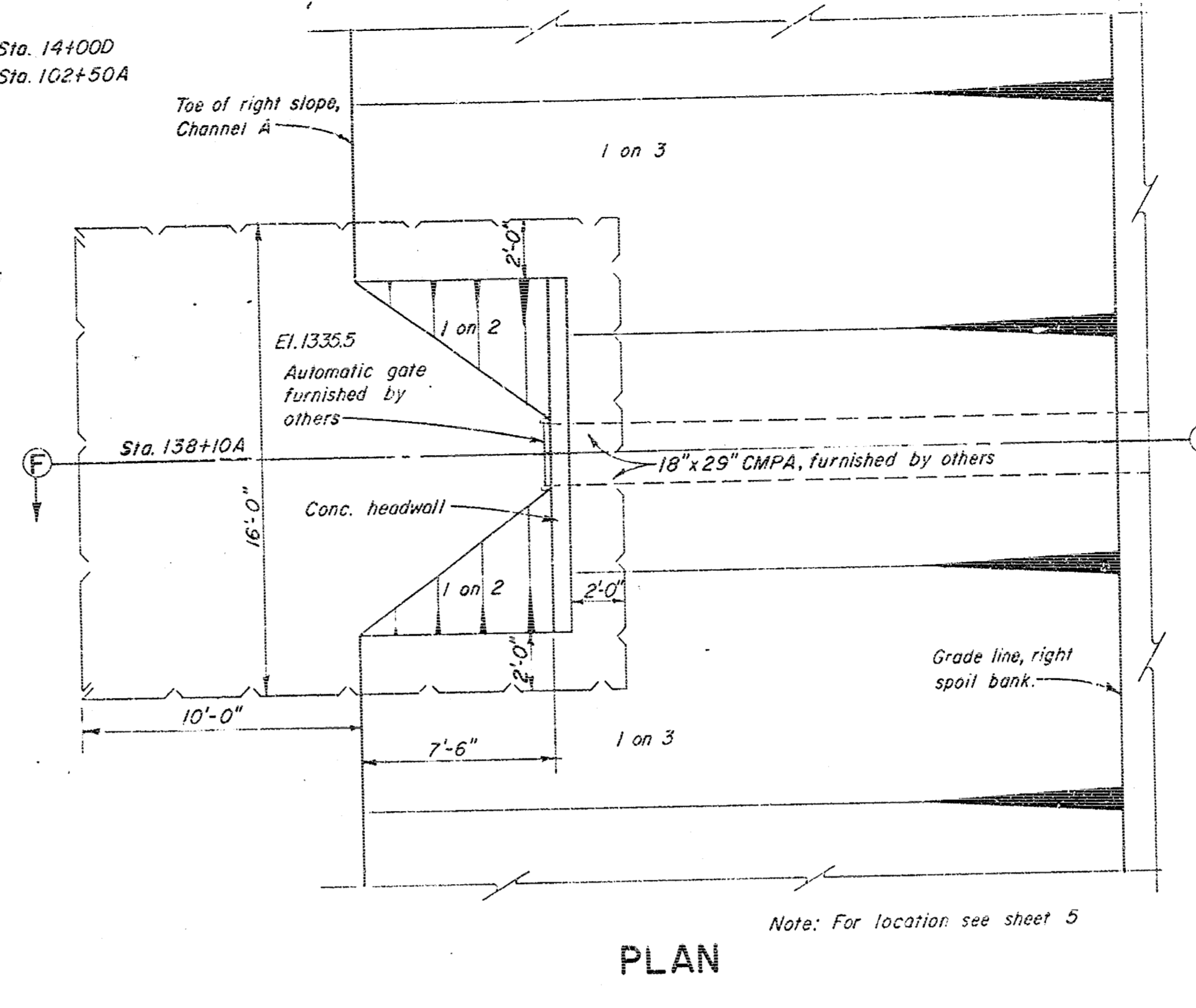
RECORD (AS BUILT) DRAWING



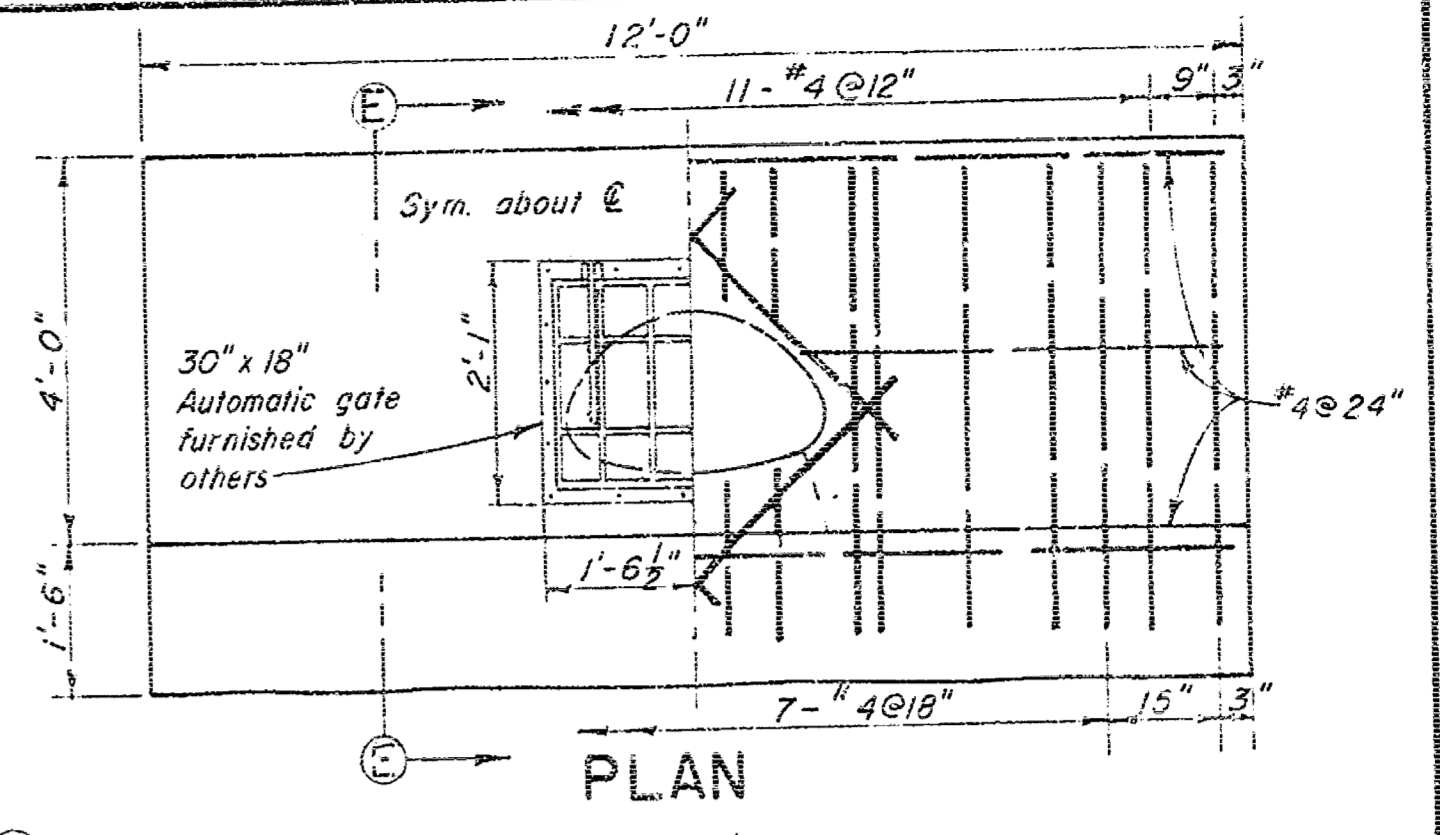
TYPICAL HALF-PLAN WITHOUT DRAINAGE

TYPICAL HALF-PLAN WITH DRAINAGE

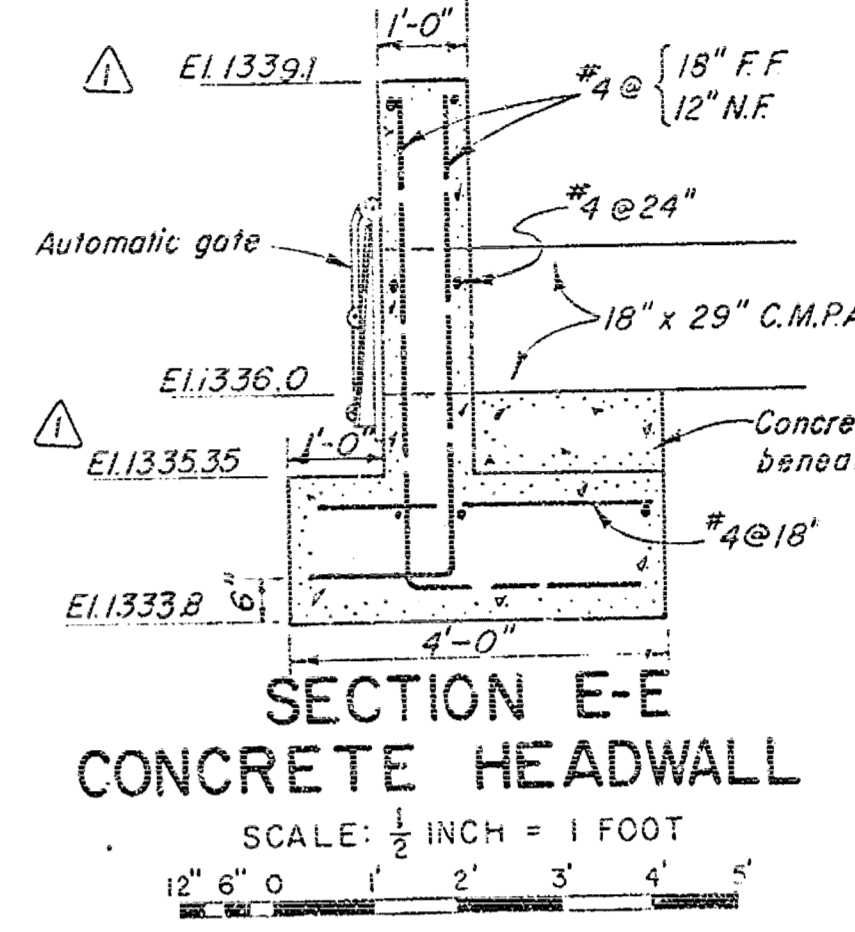
PLAN



PLAN

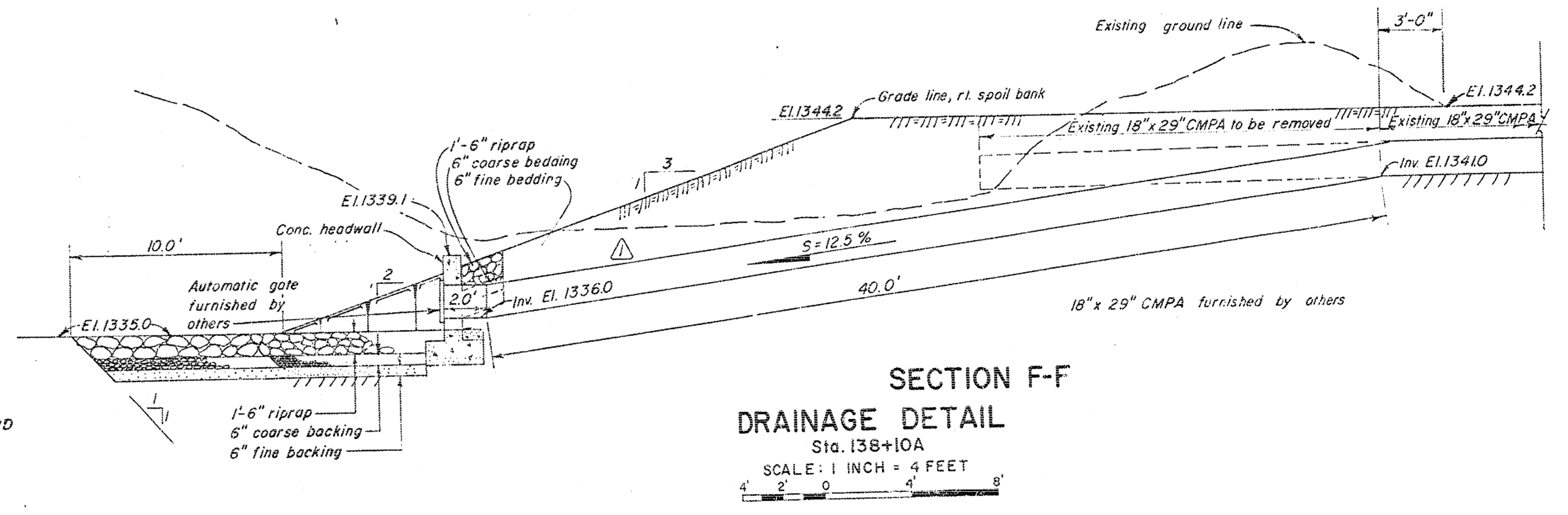


PLAN



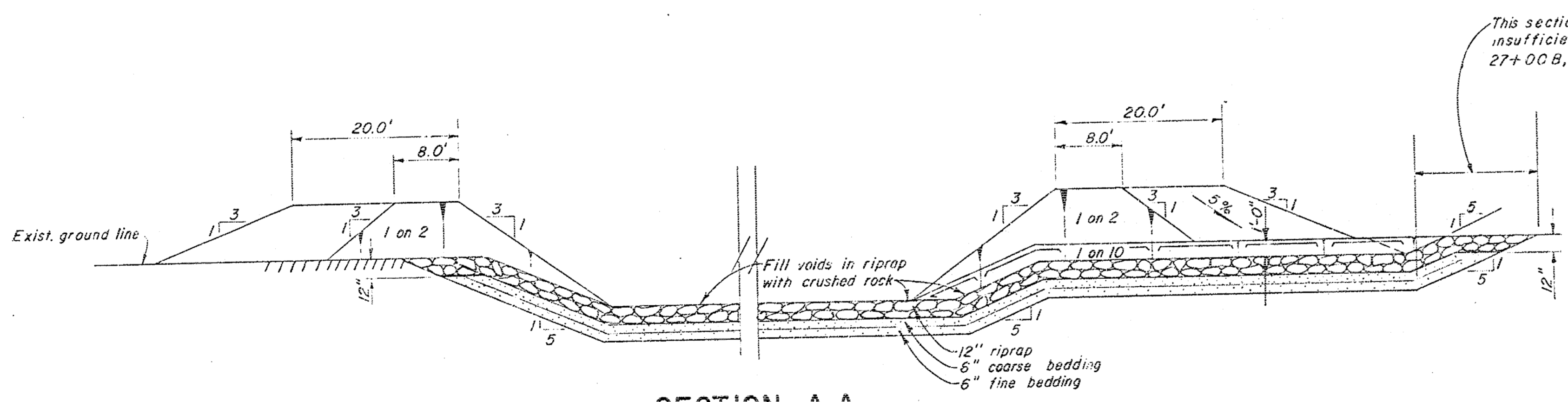
SECTION E-E  
CONCRETE HEADWALL

SCALE: 1/2 INCH = 1 FOOT

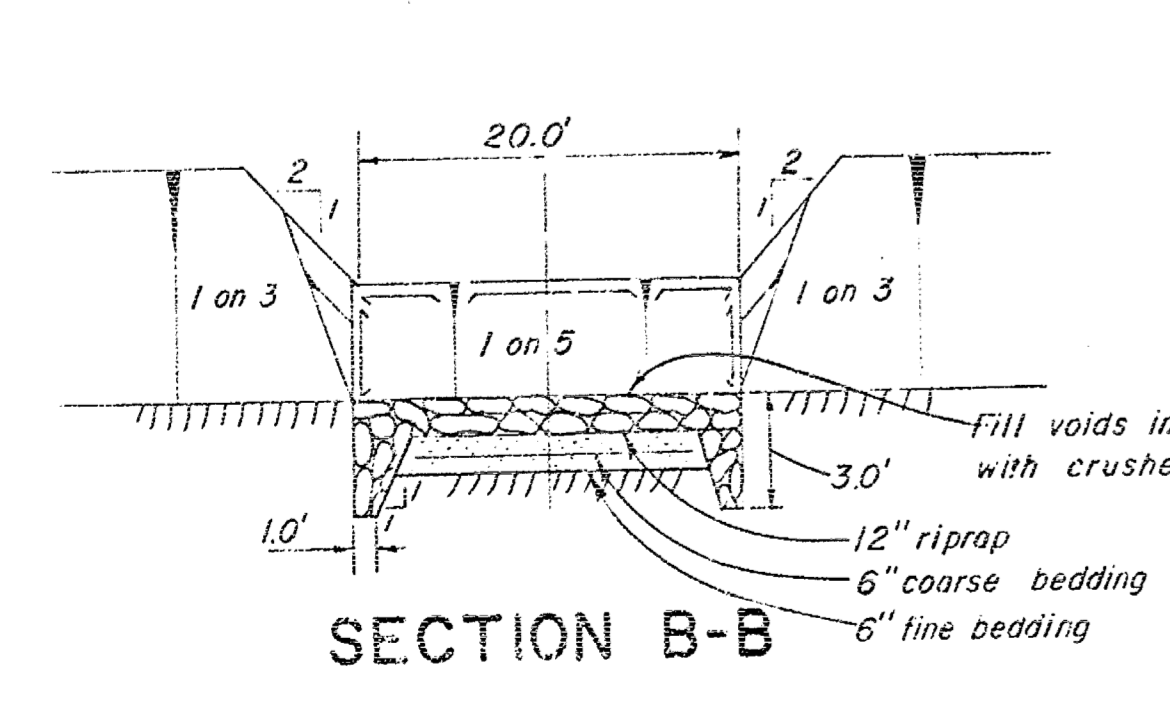


SECTION F-F  
DRAINAGE DETAIL

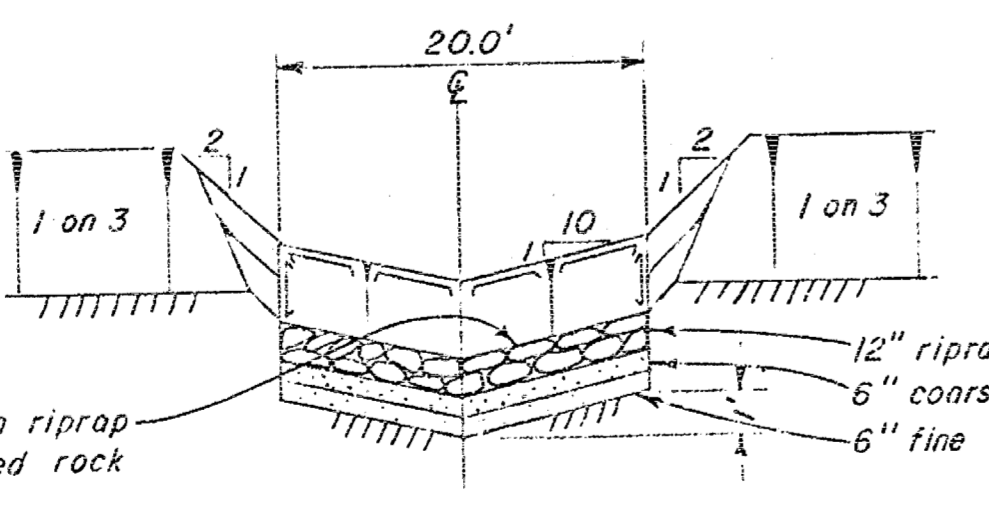
SCALE: 1 INCH = 4 FEET



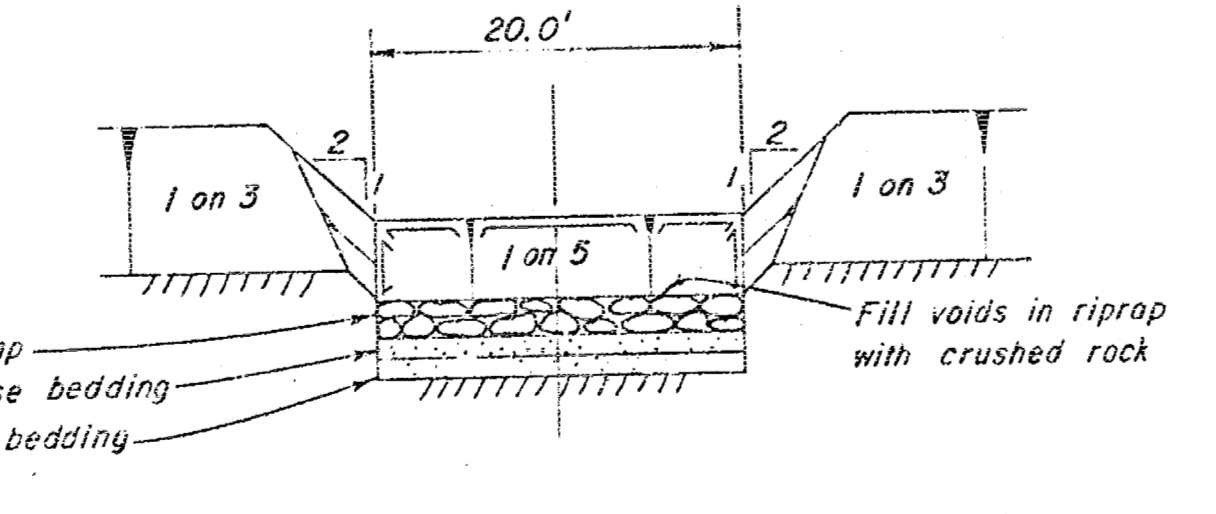
SECTION A-A



SECTION B-B



SECTION C-C



SECTION D-D

TYPICAL FIELD CROSSING

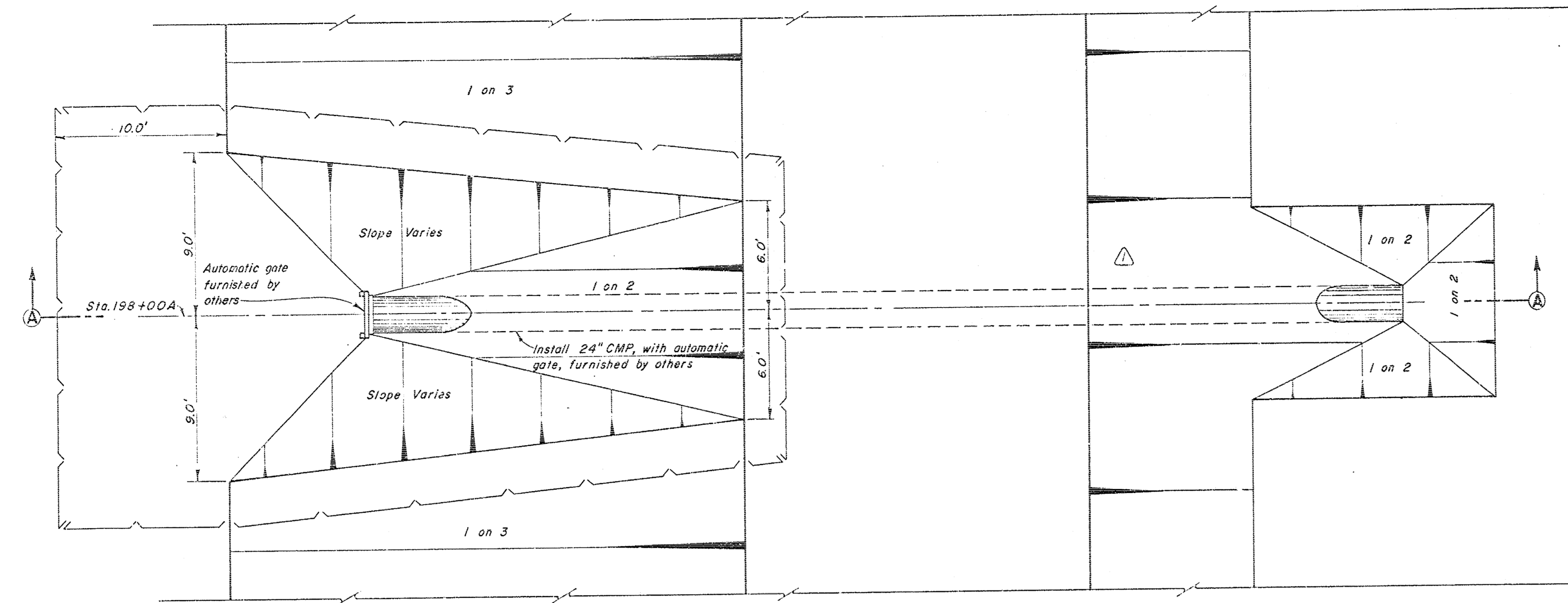
SCALE: 1 INCH = 10 FEET HORIZ.  
1 INCH = 5 FEET VERT.

This section deleted due to insufficient R/W at stations 27+00.8, 37+00.8, 29+50.4, 113+90.4

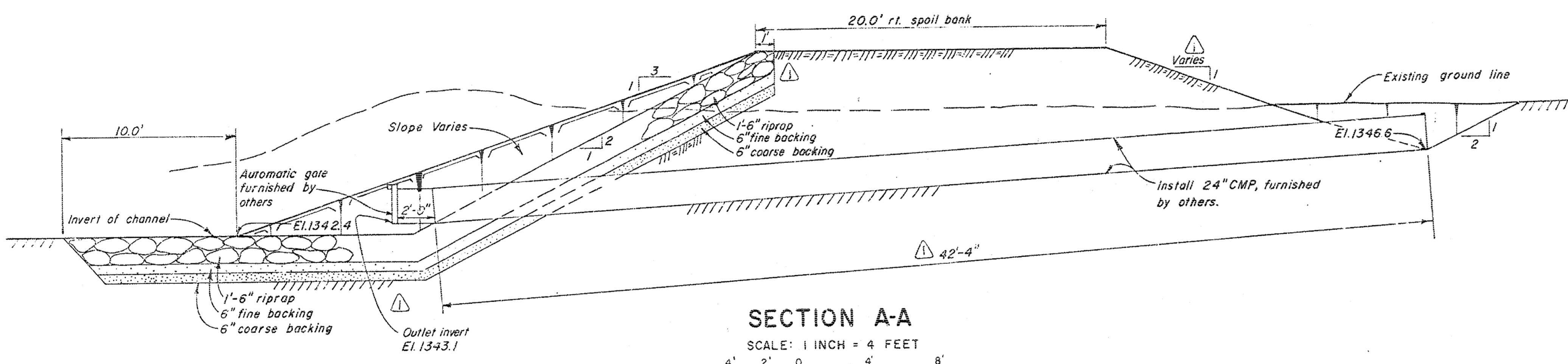
RECORD (AS BUILT) DRAWING

1	1/12-23	REVISED AS CONSTRUCTED	CHKD	REC	APPR
KEY DATE		REVISION INDICATED BY (1)	ARKANSAS RIVER, KANSAS		
WEST BRANCH CHISHOLM CREEK VALLEY CENTER, KANSAS CONSTRUCTION OF CHANNEL DRAINAGE STRUCTURES VII					
IN 16 SHEETS		SCALE: AS SHOWN	SHEET NO. 14		
U.S. ARMY ENGINEER DISTRICT, TULSA, CORPS OF ENGINEERS, MAR. 1962					
SUBMITTED:		APPROVAL RECOMMENDED:	APPROVED:		
DRAWN: G.O.C., N.W.F.		ISSUED UNDER INVITATION	NO. CIV.ENG-34-066-63-21		
CHECKED: J.W., L.H.H.		C173-141			

CONTRACT 63-1152



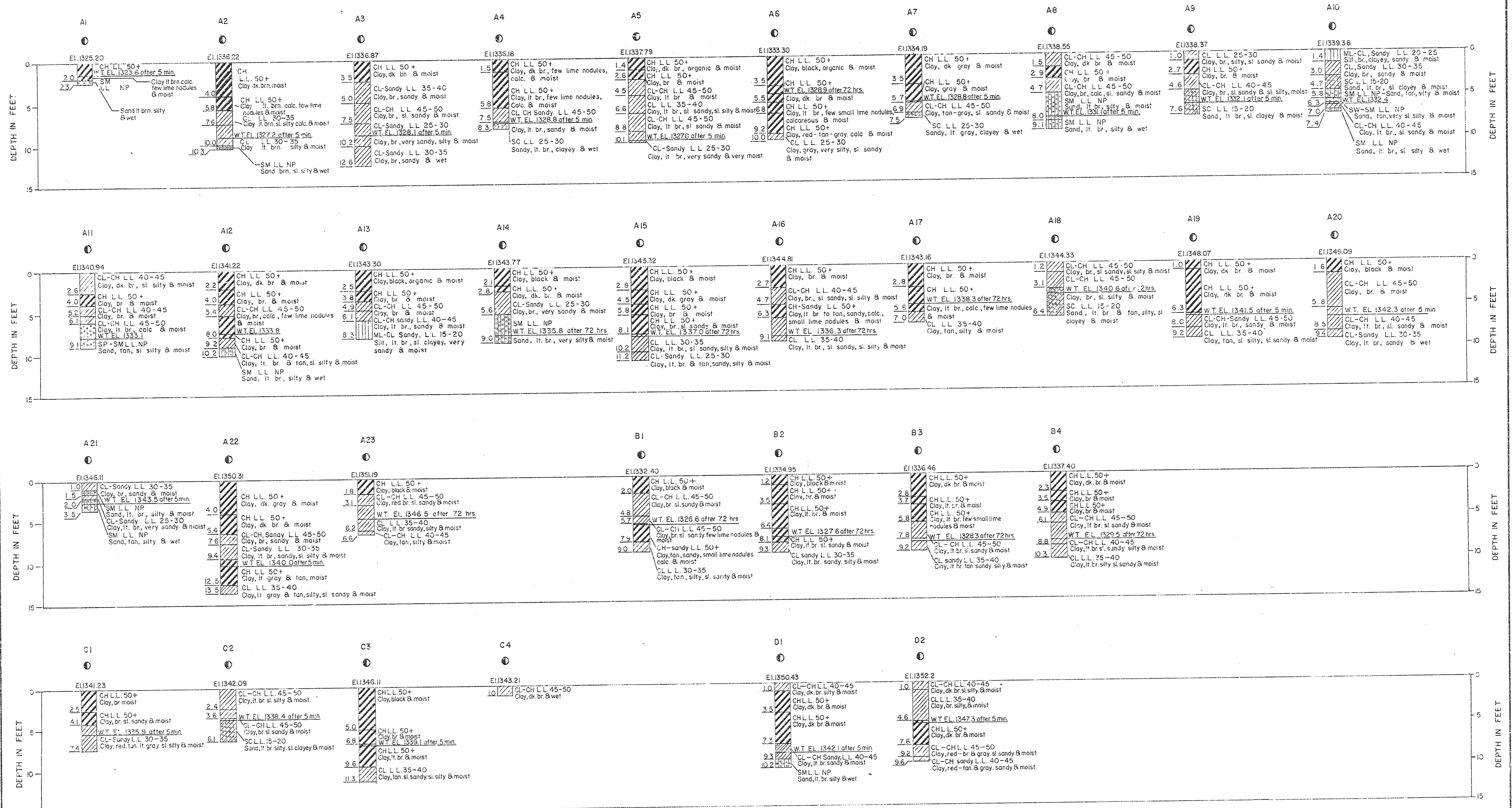
**PLAN**  
 STA. 198+00A R/L  
 SCALE: 1 INCH = 4 FEET



**SECTION A-A**  
 SCALE: 1 INCH = 4 FEET

RECORD (AS BUILT) DRAWING

KEY	DATE	REVISION (INDICATED BY Δ)	CHKD.	REC.	APPR.
	9-2-63	REVISED AS CONSTRUCTED			
ARKANSAS RIVER WATERSHED WEST BRANCH CHISHOLM CREEK VALLEY CENTER, KANSAS CONSTRUCTION OF CHANNEL DRAINAGE STRUCTURES VII					
IN 16 SHEETS		SCALE: AS SHOWN	SHEET NO. 15		
U.S. ARMY ENGINEER DISTRICT, TULSA, CORPS OF ENGINEERS, MAR. 1962 SUBMITTED BY: <i>Joseph E. Perry</i> APPROVAL RECOMMENDED: <i>H.L. Bennett</i> APPROVED: <i>M.M. Lane</i> DRAWN: G.O.C., N.W.F. TO ACCOMPANY SPECIFICATIONS FOR THE DISTRICT ENGINEER TRACED: ISSUED UNDER INVITATION NO. CIVENG-34-066-63-21 CHECKED: J.W., I.H.H.					
					C173-15
CONTRACT-63-1152					



LEGEND

- HAND AUGER HOLES
- ▨ CH FAT CLAY, HIGH PLASTICITY
- ▩ CL LEAN CLAY, MODERATE
- ▧ ML SILT, LOW TO NON-PLASTIC
- ▦ SM SILTY SAND, NON-PLASTIC
- ▤ SC CLAYEY SAND, LOW TO NON-PLASTIC
- ▣ SP SAND, NON-PLASTIC, POORLY GRADED
- ▢ SW SAND, NON-PLASTIC, WELL GRADED
- L.L. LIQUID LIMIT
- NP NON-PLASTIC

NOTES  
 1. For general notes see sheet I.  
 2. Holes drilled May, 1962.  
 3. All holes are visual classifications & estimated liquid limits.  
 4. In holes where no water table is shown, the table was not obtained. Absence of water table elevations on logs does not necessarily mean that ground water will not be encountered, at the locations & within the vertical reaches of these borings.

RECORD (AS BUILT) DRAWING

KEY	DATE	REVISION (INDICATED BY Δ)	CHKD.	RFC	APPR.
ARKANSAS RIVER WATERSHED WEST BRANCH CHISHOLM CREEK VALLEY CENTER, KANSAS <b>CONSTRUCTION OF CHANNEL</b> FOUNDATION EXPLORATION-AUGER LOG RECORD IN 16 SHEETS SCALE AS SHOWN SHEET NO. 16					
U.S. ARMY ENGINEER DISTRICT, TULSA, CORPS OF ENGINEERS, JUNE 1962 SUBMITTED APPROVAL RECOMMENDED					
CHIEF SOILS DESIGN SECTION DRAWN H.W.J.W. TRACED CHECKED I.H., J.G.B.		CHIEF, FHD & MATLS. BR. TO ACCOMPANY SPECIFICATIONS ISSUED UNDER INVITATION NO. CVENG-34-006-53-21 <b>C173-16</b>		CHIEF, ENGRG. DIVISION FOR THE DISTRICT ENGINEER APPROVED M.J. ROSE	
CONTRACT 63-1152 ARMY C. OF E., TULSA 16					