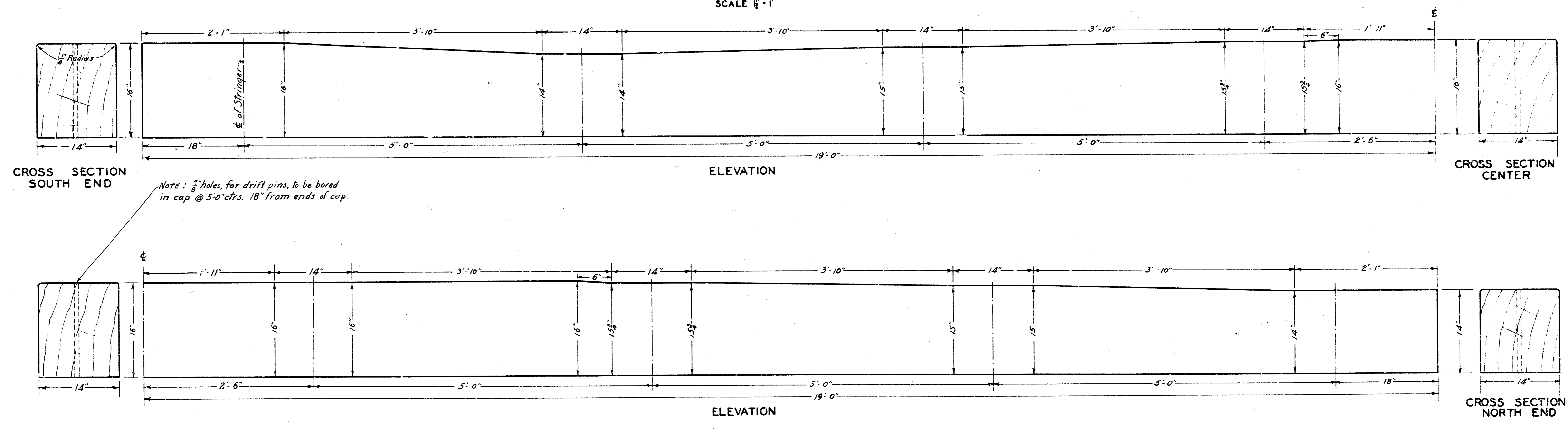
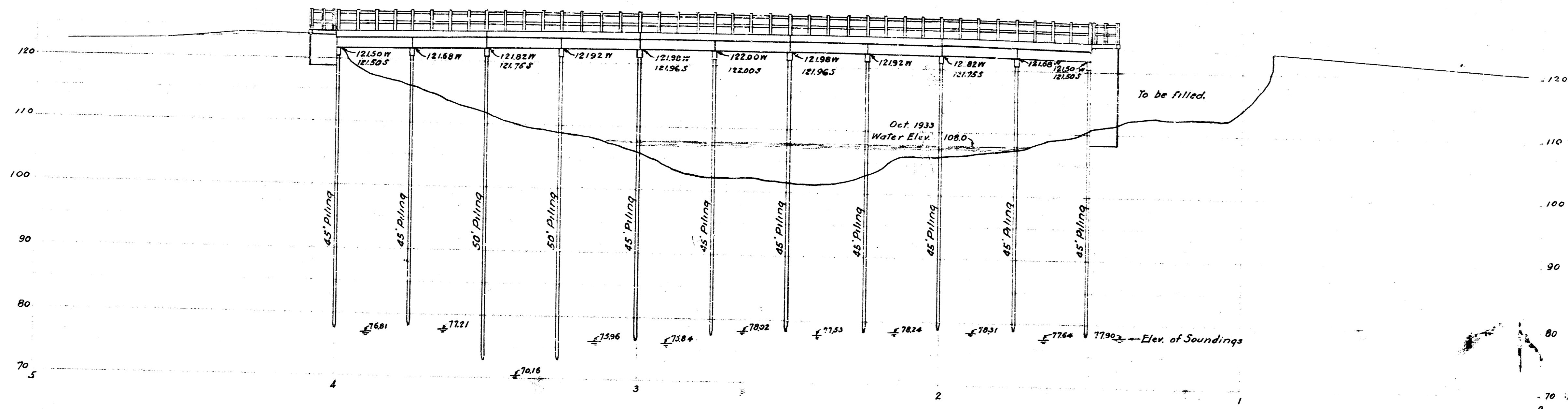
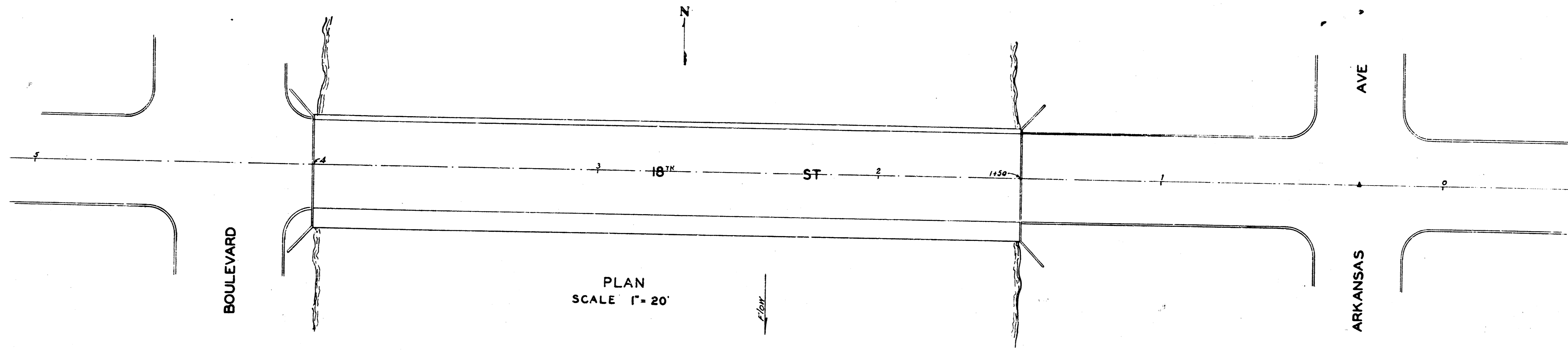


DETAIL OF CAP
18TH ST. BRIDGE ARKANSAS RIVER
SCALE 1/4" = 1'

WICHITA, KANSAS

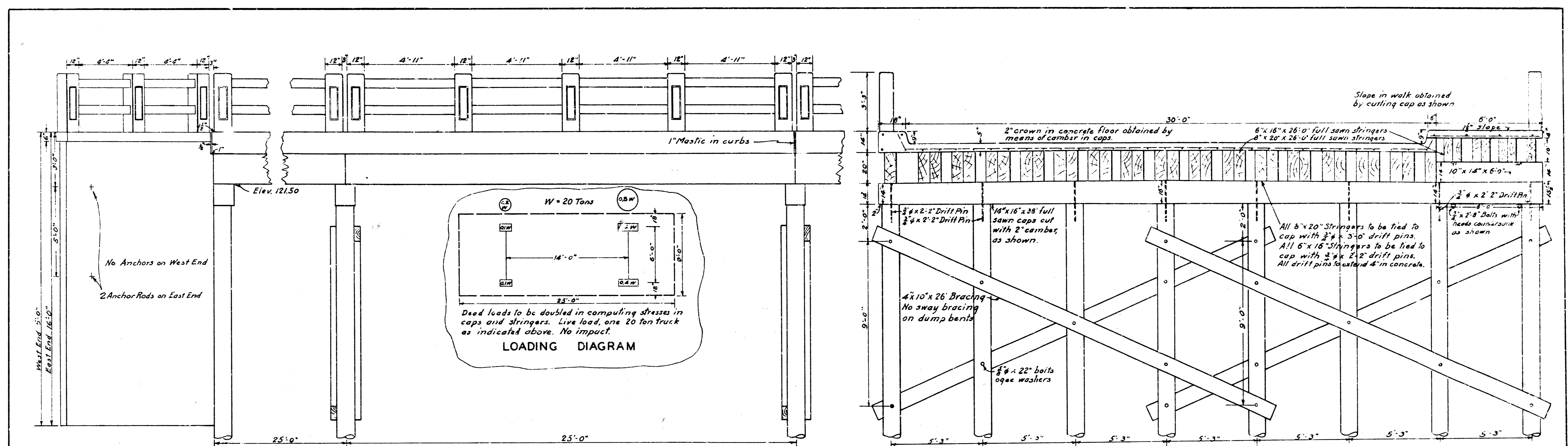




ELEVATION
SCALE VERTICAL 1" = 10'
HORIZONTAL 1" = 20'

ENGINEERING DEPARTMENT
CITY OF WICHITA, KANSAS
R.L. BROCKWAY, CITY ENGINEER
JAN. 1936.

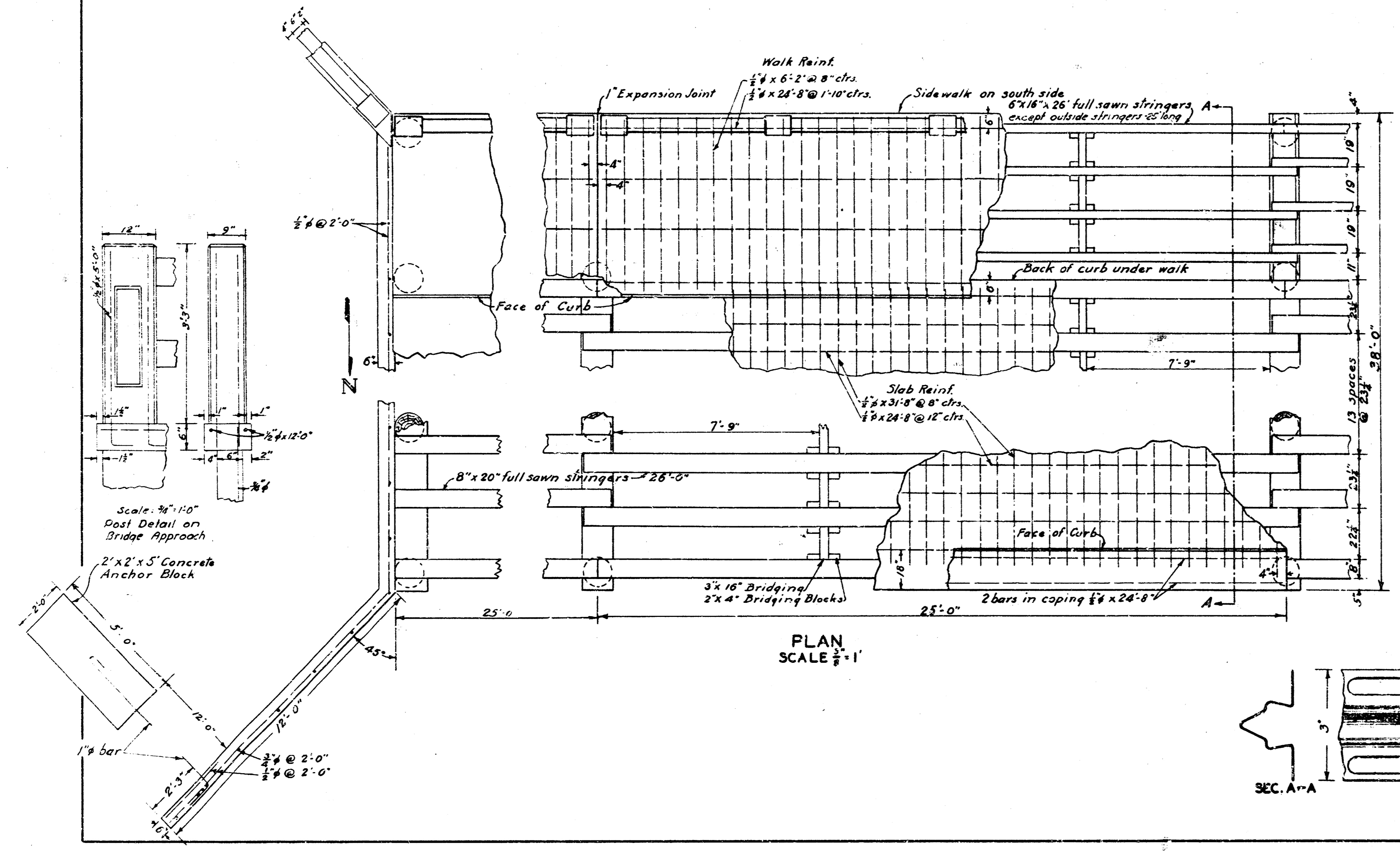
STANDARD
20 TON TIMBER BRIDGE
CONCRETE FLOOR
25 FOOT SPAN 30 FOOT ROADWAY
18 TH ST. ARKANSAS RIVER
SHEET 1 3 SHEETS



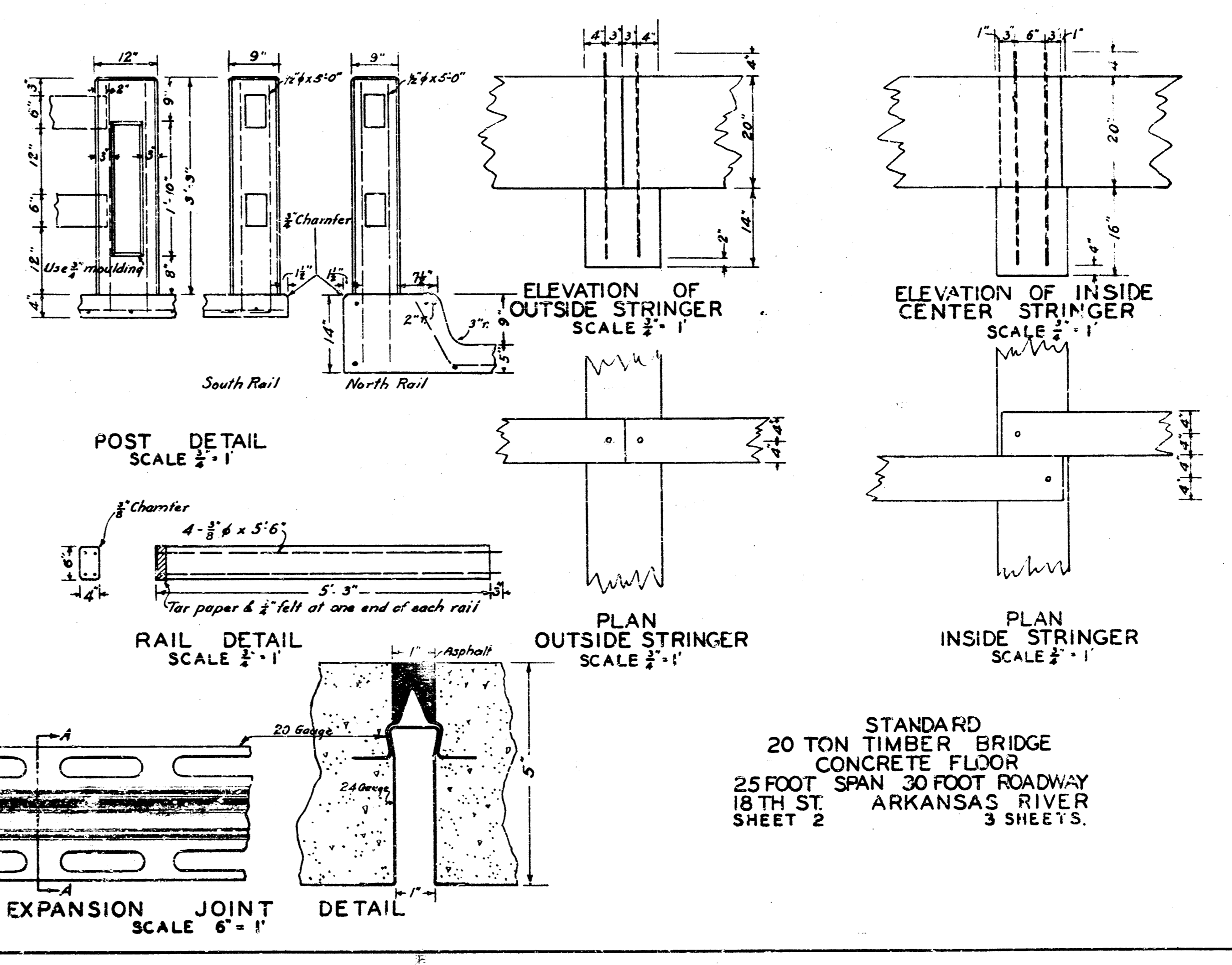
ELEVATION
SCALE 1/2" = 1'

SECTION A-A
SCALE 1/2" = 1'

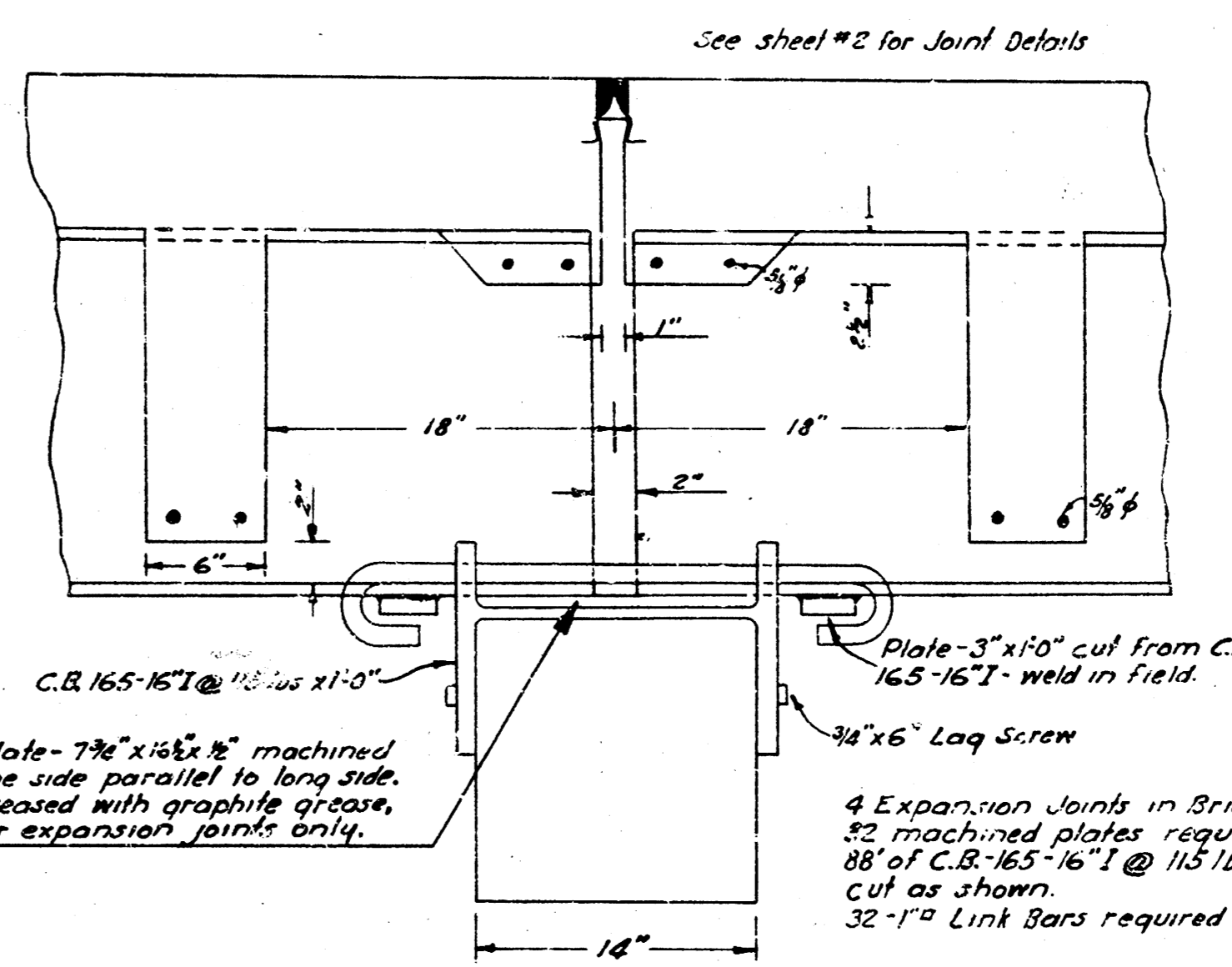
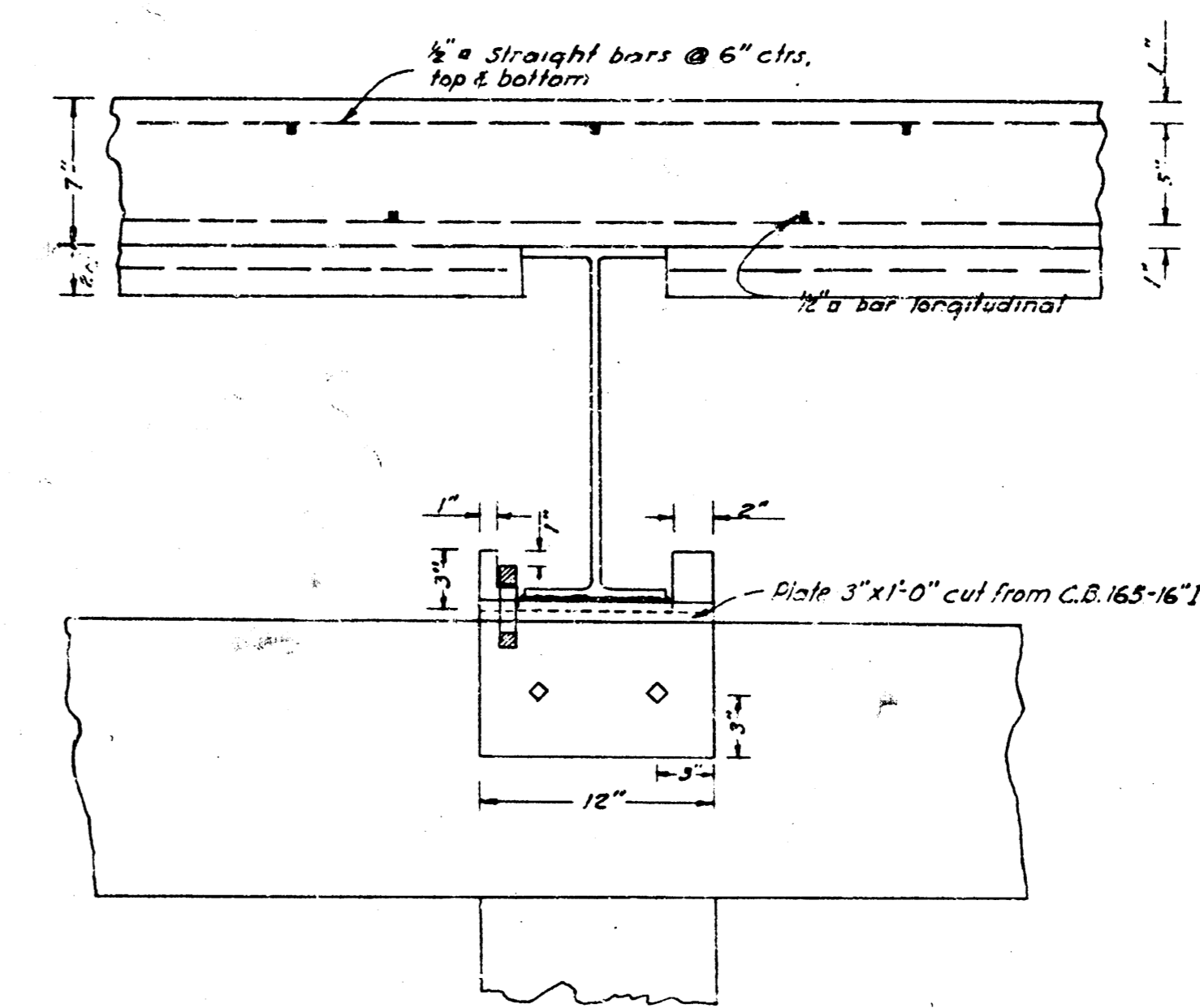
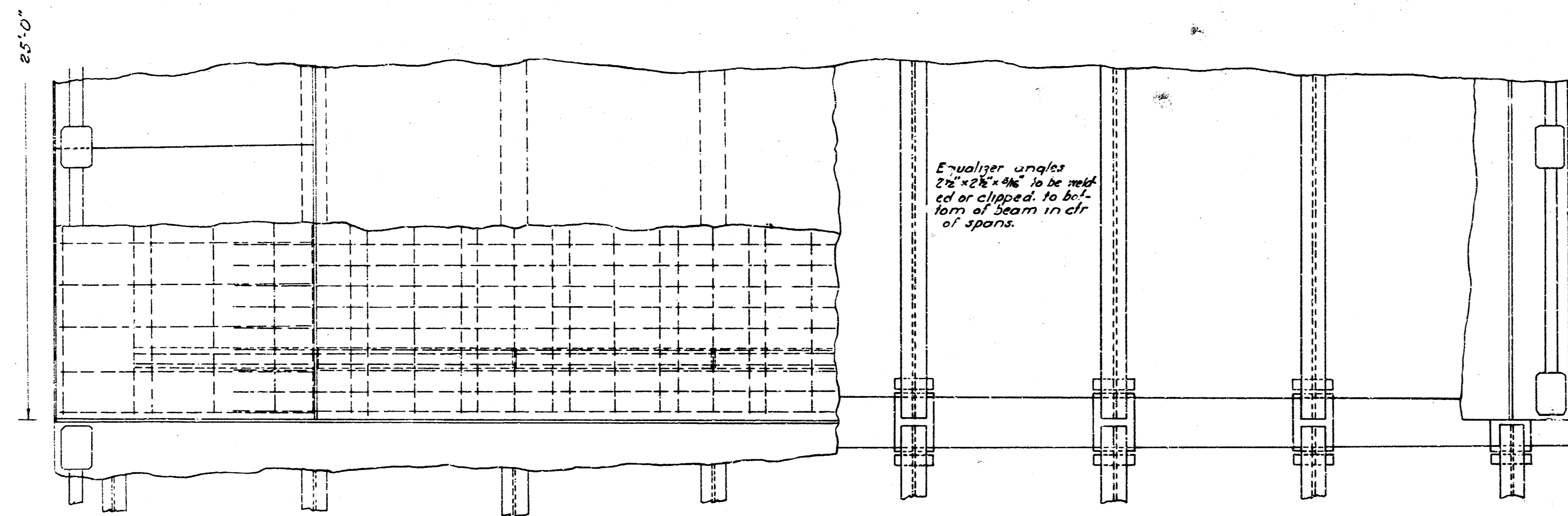
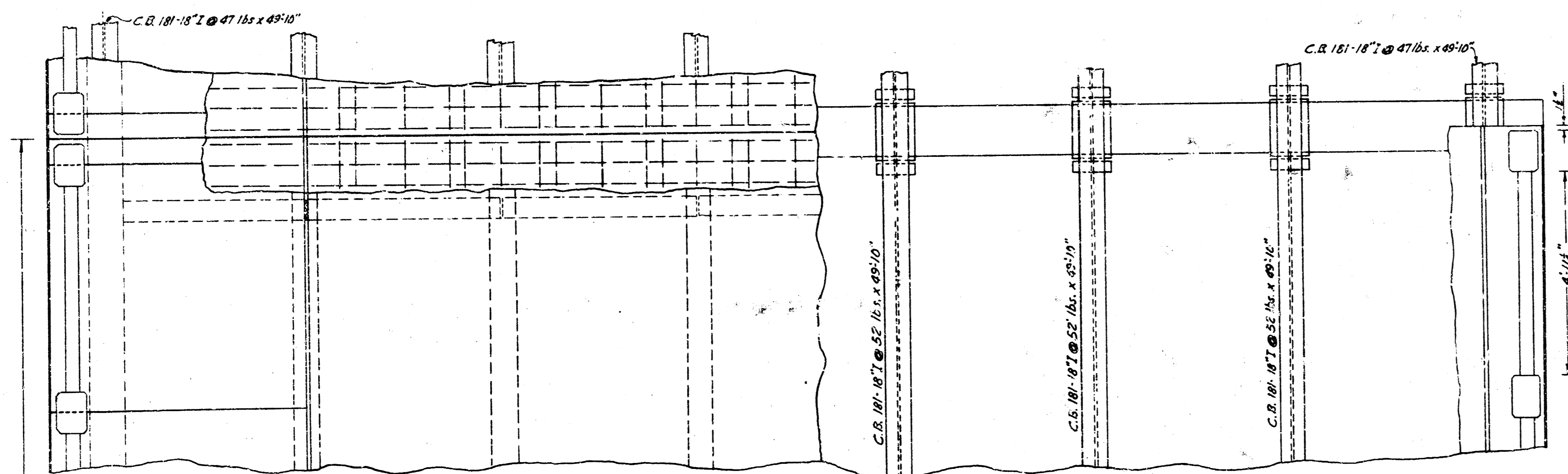
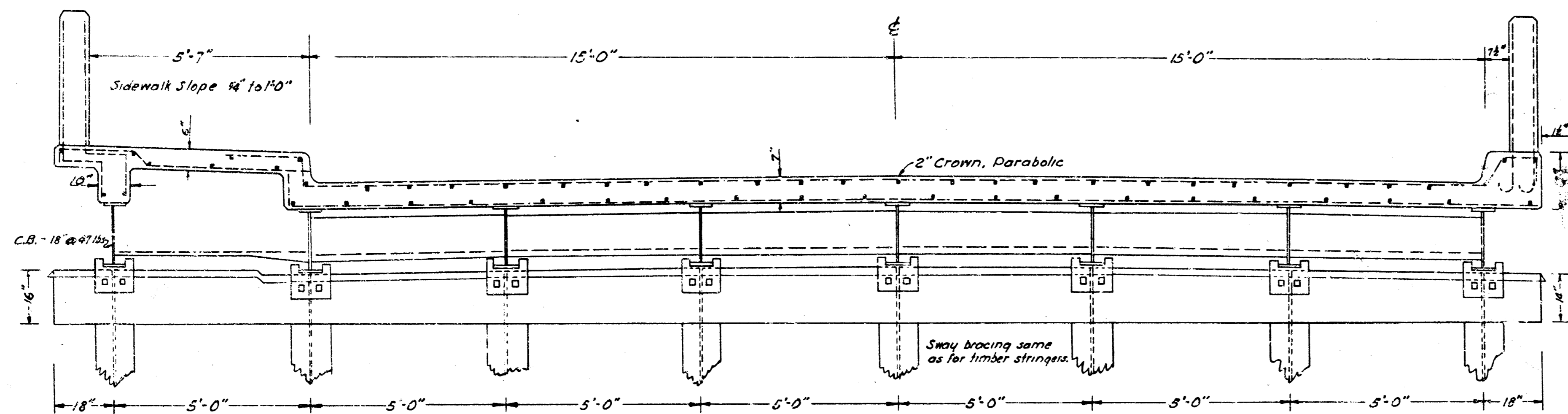
Warning
Note: 24 Gauge Sheet Metal to be placed over tops of all caps and piling, and bent down. Joints to be soldered.



PLAN
SCALE 1/2" = 1'



STANDARD
20 TON BRIDGE
CONCRETE FLOOR
25 FOOT SPAN 30 FOOT ROADWAY
18 TH ST. ARKANSAS RIVER
SHEET 2 3 SHEETS.



DETAIL OF EXPANSION JOINT AND SLAB
Scale: 1/2"=1'-0"

DESIGN FOR STEEL STRINGERS
25' SPAN 30' ROADWAY
18TH ST. & ARKANSAS RIVER
SHEET 3 3 SHEETS