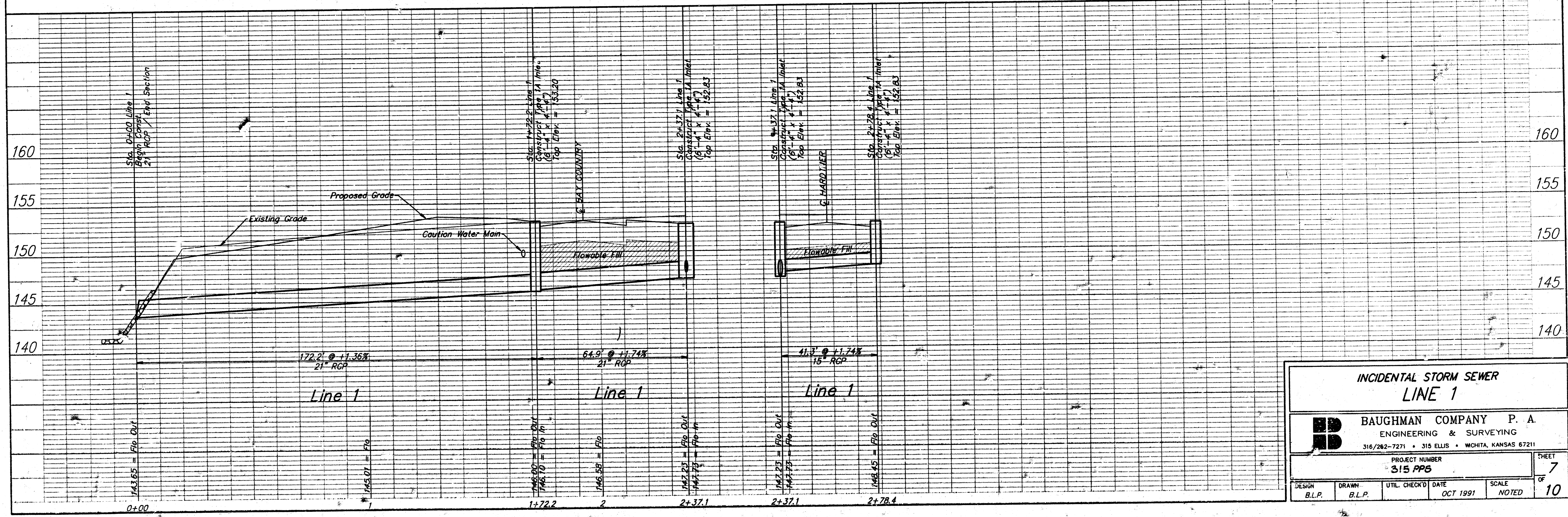


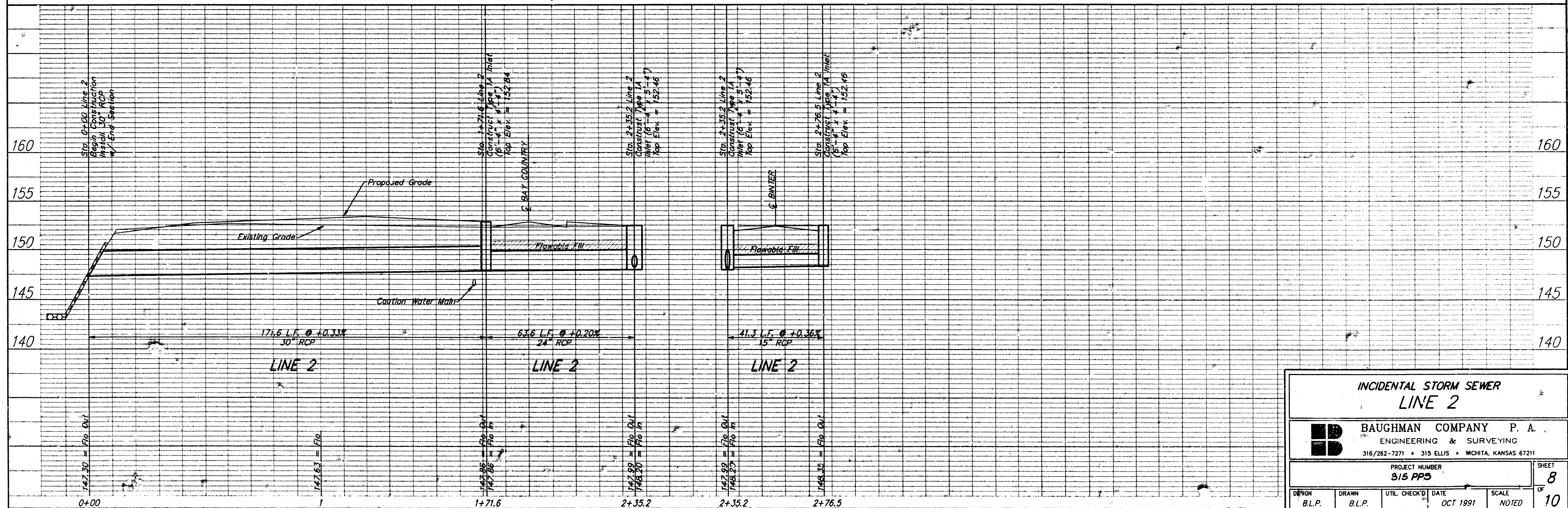
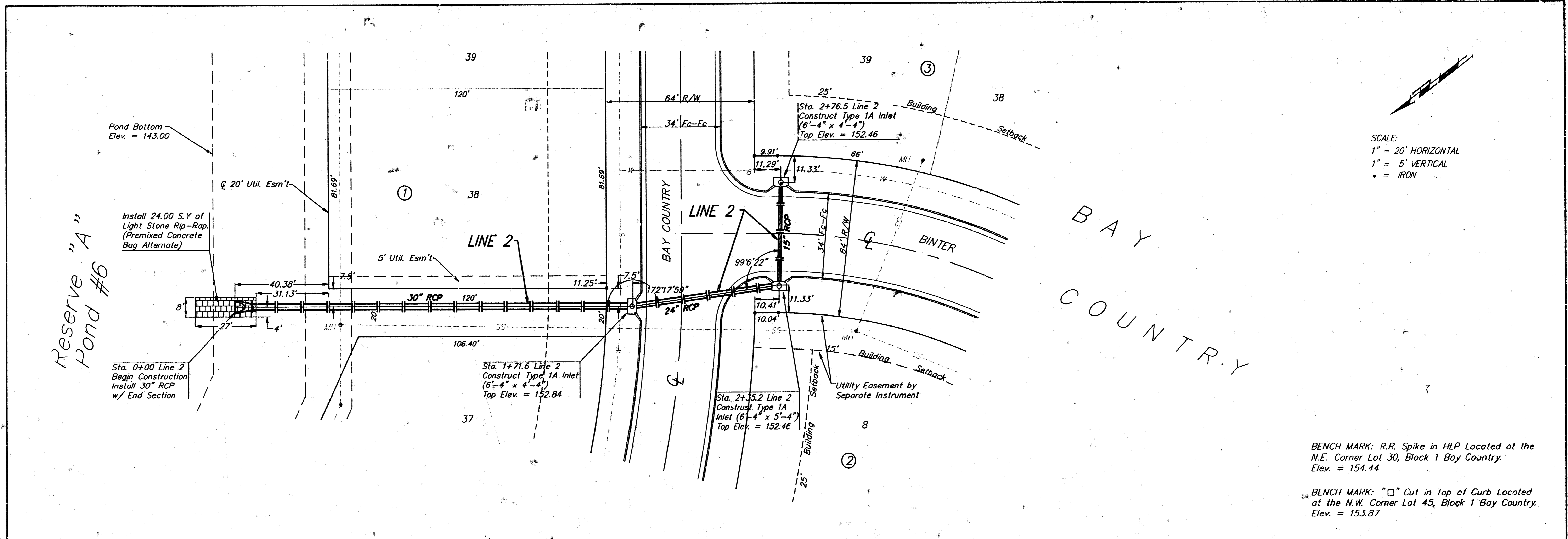
SCALE:  
 1" = 20' HORIZONTAL  
 1" = 5' VERTICAL  
 • = IRON

BENCH MARK: R.R. Spike in HLP Located at the N.E. Corner Lot 30, Block 1 Bay Country. Elev. = 154.44

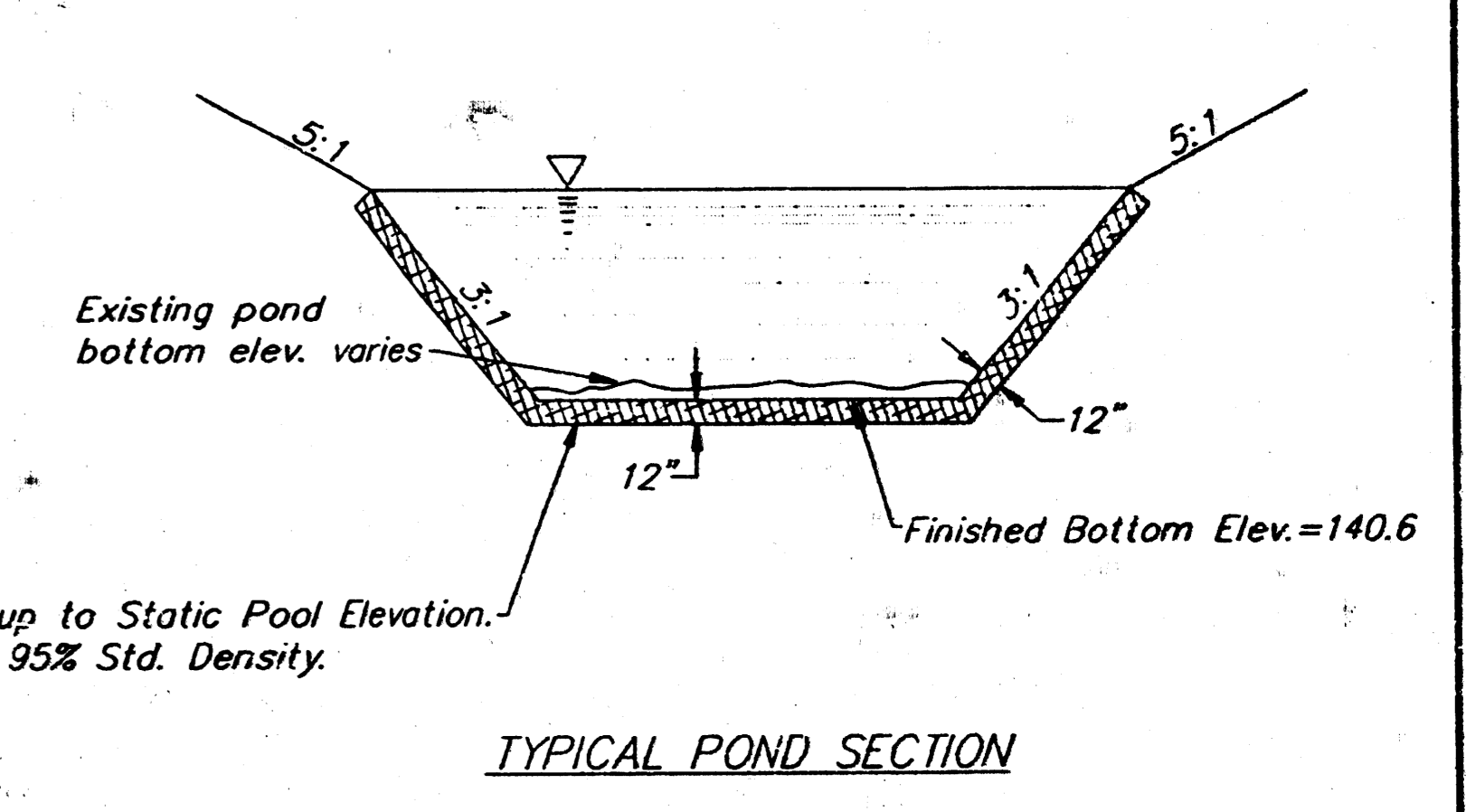
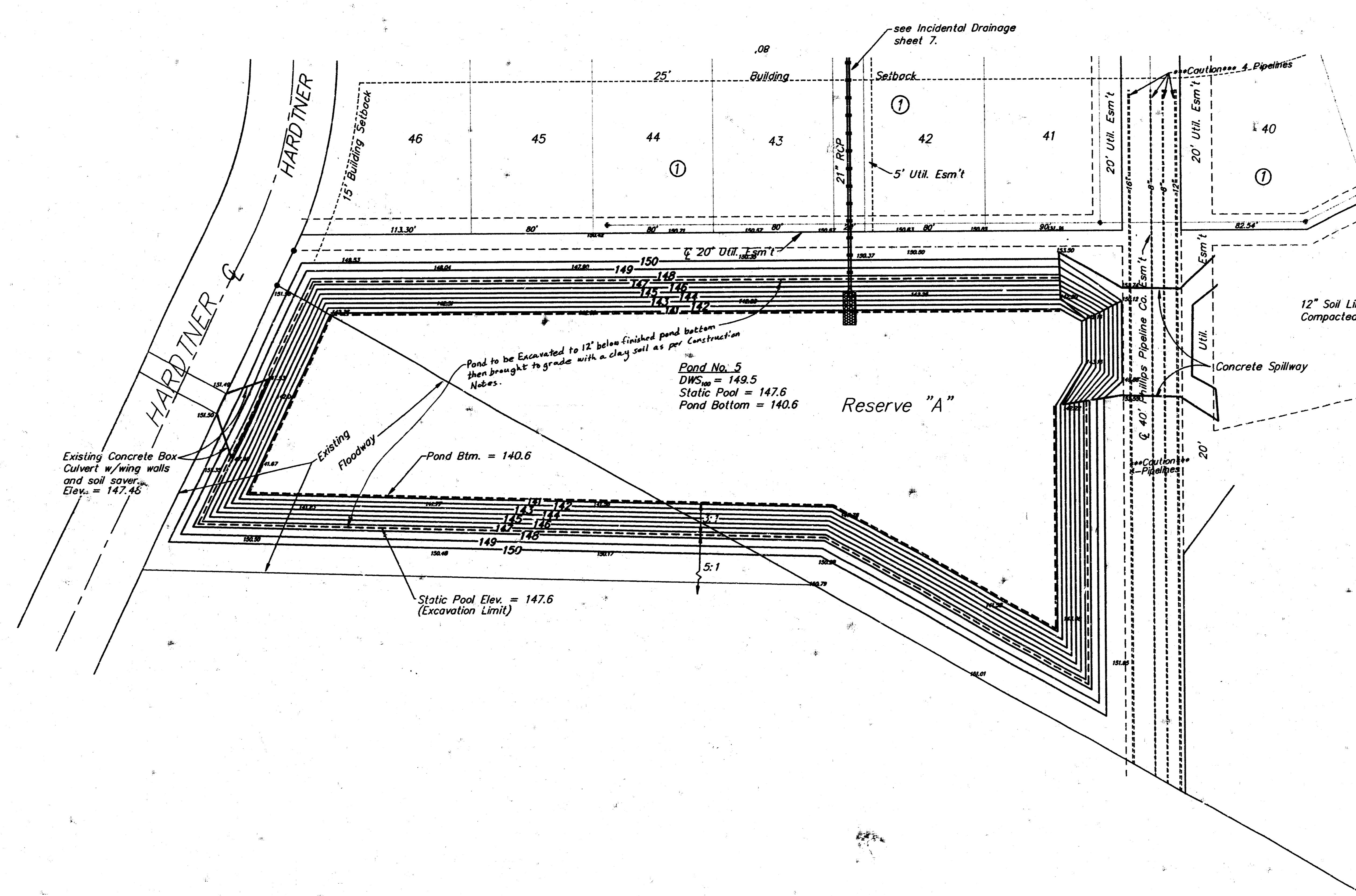
BENCH MARK: "□" Cut in top of Curb Located at the N.W. Corner Lot 45, Block 1 Bay Country. Elev. = 153.87



<b>INCIDENTAL STORM SEWER LINE 1</b>					
<b>BAUGHMAN COMPANY P. A.</b> ENGINEERING & SURVEYING 316/282-7271 • 315 ELLIS • WICHITA, KANSAS 67211					
PROJECT NUMBER <b>315 PPS</b>					SHEET <b>7</b>
SCALE NOTED					OF <b>10</b>
DESIGN B.L.P.	DRAWN B.L.P.	UTIL. CHECK'D DATE OCT 1991			

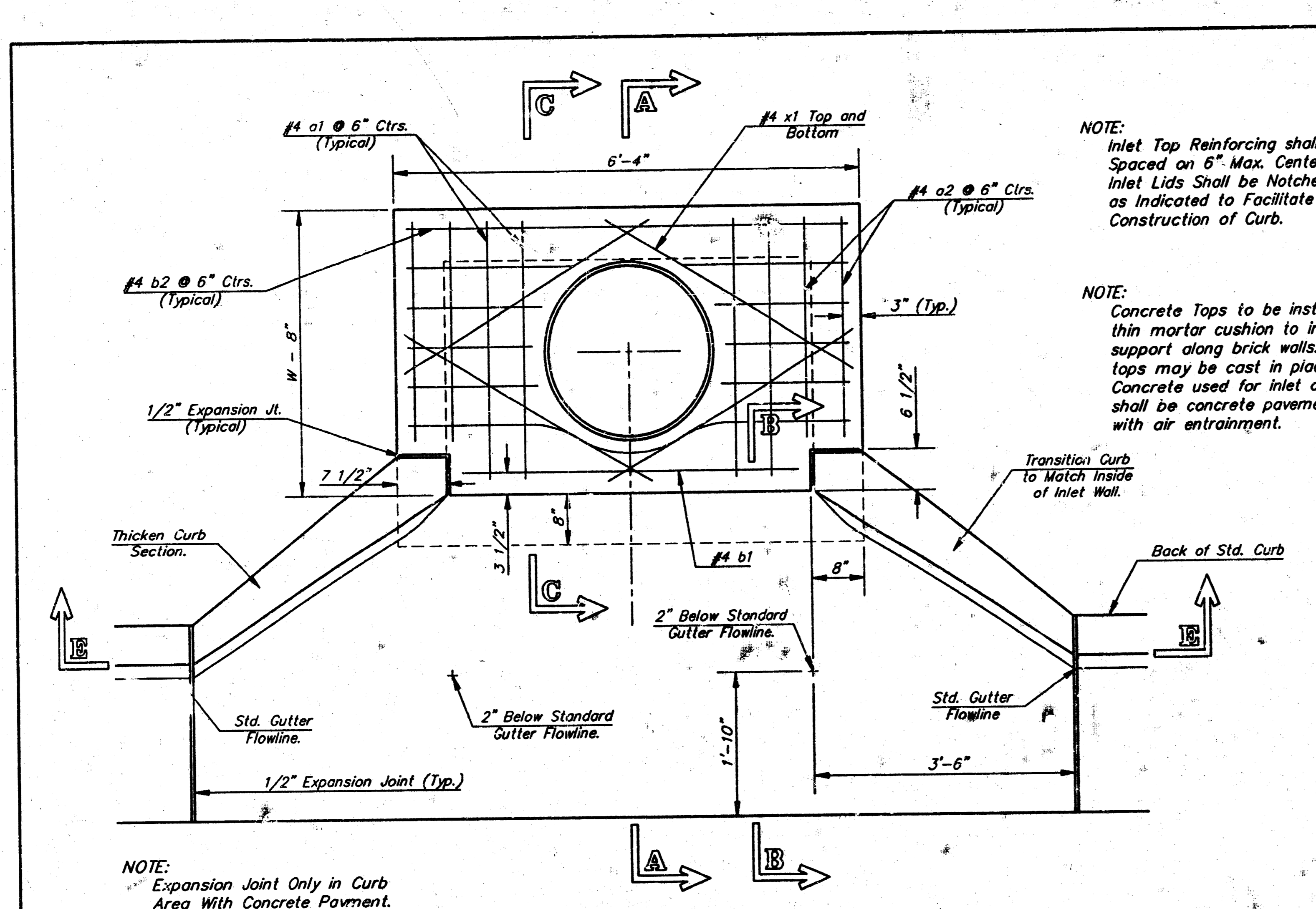


SCALE: 1" = 40'



- Construction Notes:**
1. The pond area below the static pool shall be excavated to an elevation 12" below the finished pond bottom and side slopes. It shall then be brought to grade with an approved material in 2 - 6" lifts each compacted to 95% Std. Density.
  2. Any granular or non-cohesive soils below the static pool shall be removed and replaced with suitable material compacted per note #1. All earth fill material to be approved by the Engineer prior to placement.
  3. All disturbed areas down to Permanent Pool Elev. (147.6) are to be seeded, fertilized, and mulched, using Rebel II Fescue grass seed. Seed at 10 lbs per 1,000 Sq. Ft.

<b>POND #5 - BAY COUNTRY BOTTOM LINER IMPROVEMENTS</b>					
<b>BAUGHMAN COMPANY P. A.</b> ENGINEERING & SURVEYING 316/282-7271 • 315 ELLIS • WICHITA, KANSAS 67211					
PROJECT NUMBER <b>315 PPS</b>					SHEET <b>9</b>
DESIGN T.C.R.	DRAWN B.P.	UTIL. CHECK'D	DATE OCT. 1991	SCALE NOTED	OF <b>10</b>

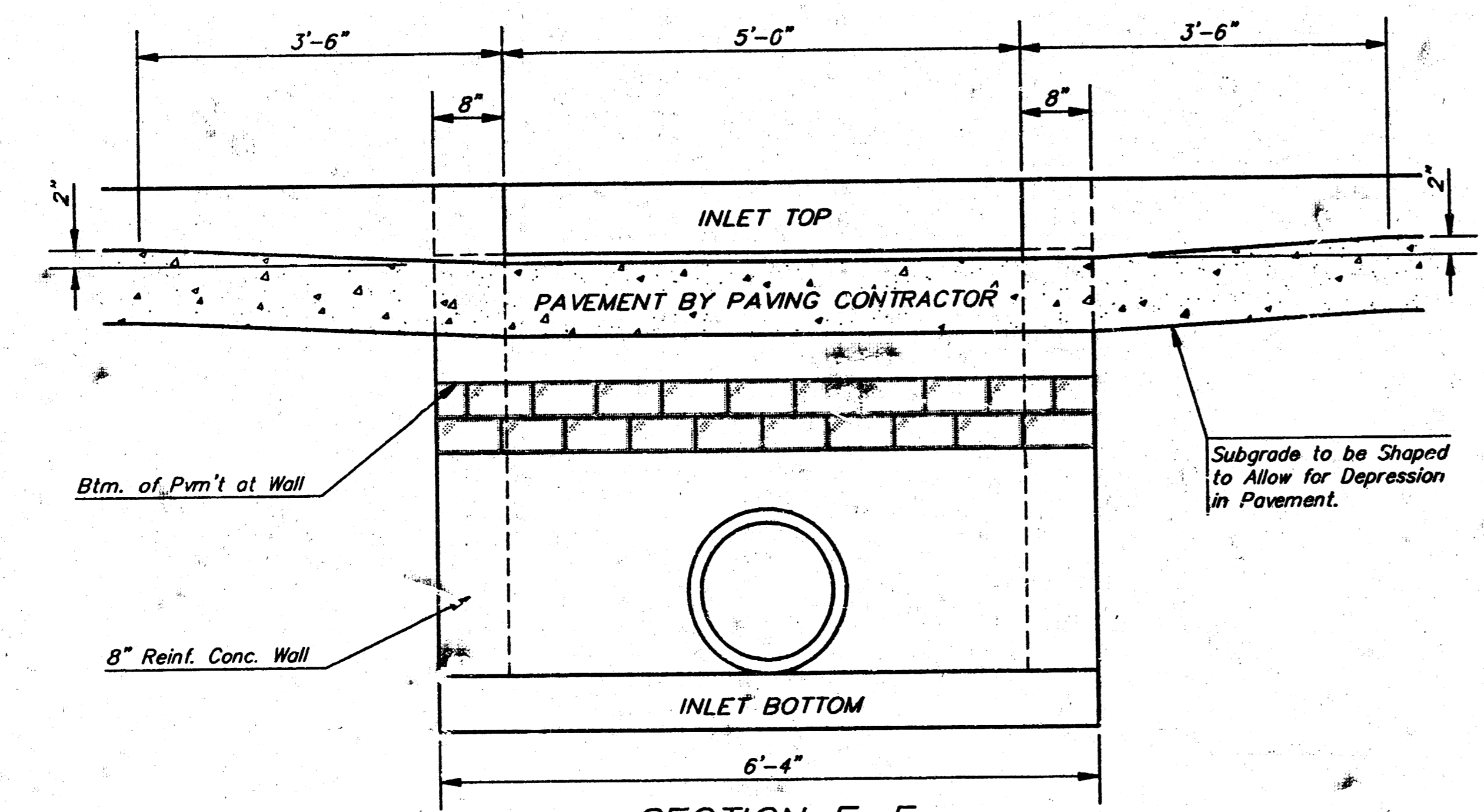


NOTE: Inlet Top Reinforcing shall be Spaced on 6" Max. Centers. Inlet Lids Shall be Notched Out as Indicated to Facilitate Construction of Curb.

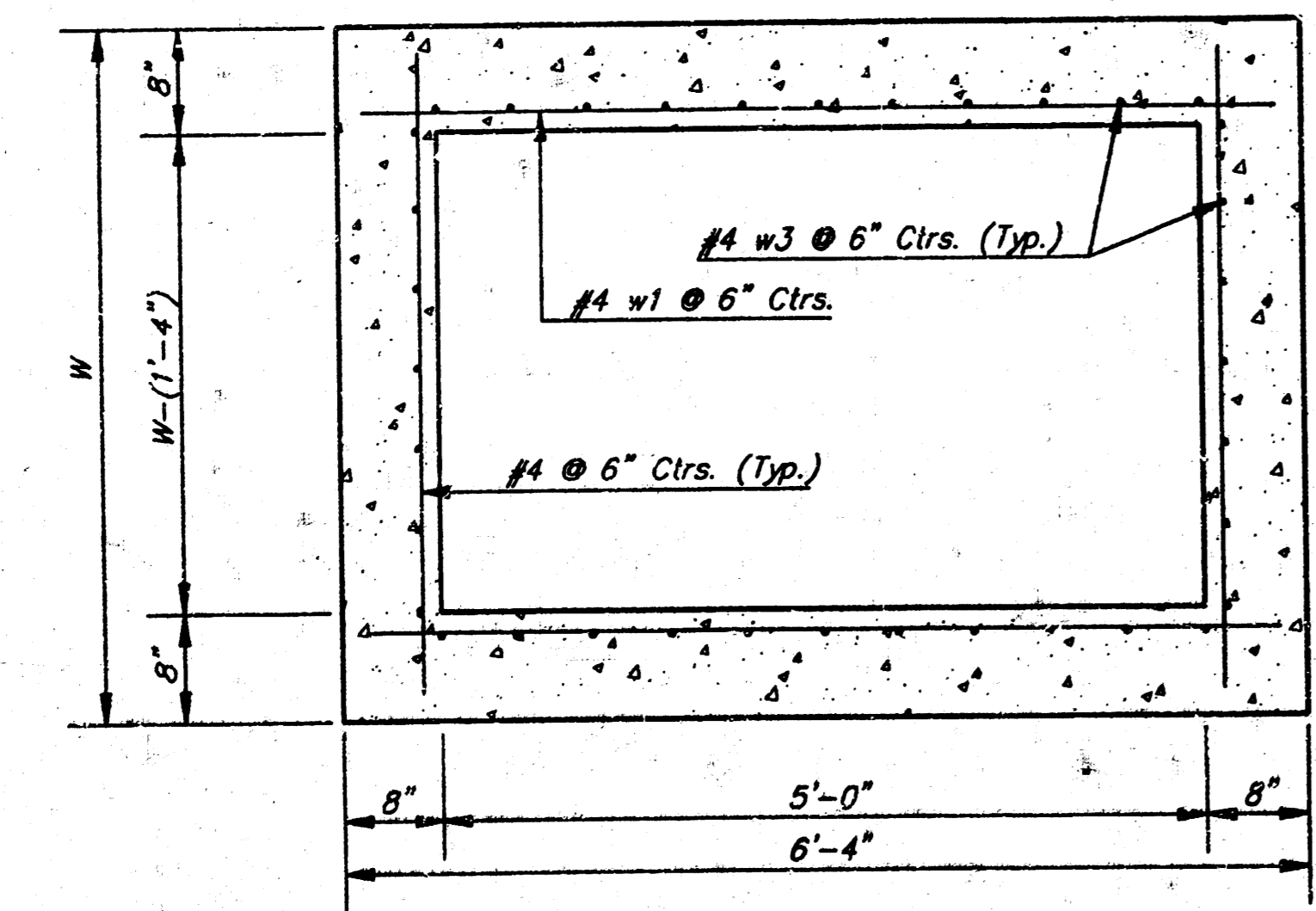
NOTE: Concrete Tops to be installed on thin mortar cushion to insure full support along brick walls. Concrete tops may be cast in place or precast. Concrete used for inlet construction shall be concrete pavement mix with air entrainment.

NOTE: Expansion Joint Only in Curb Area With Concrete Pavement.

PLAN



SECTION E-E



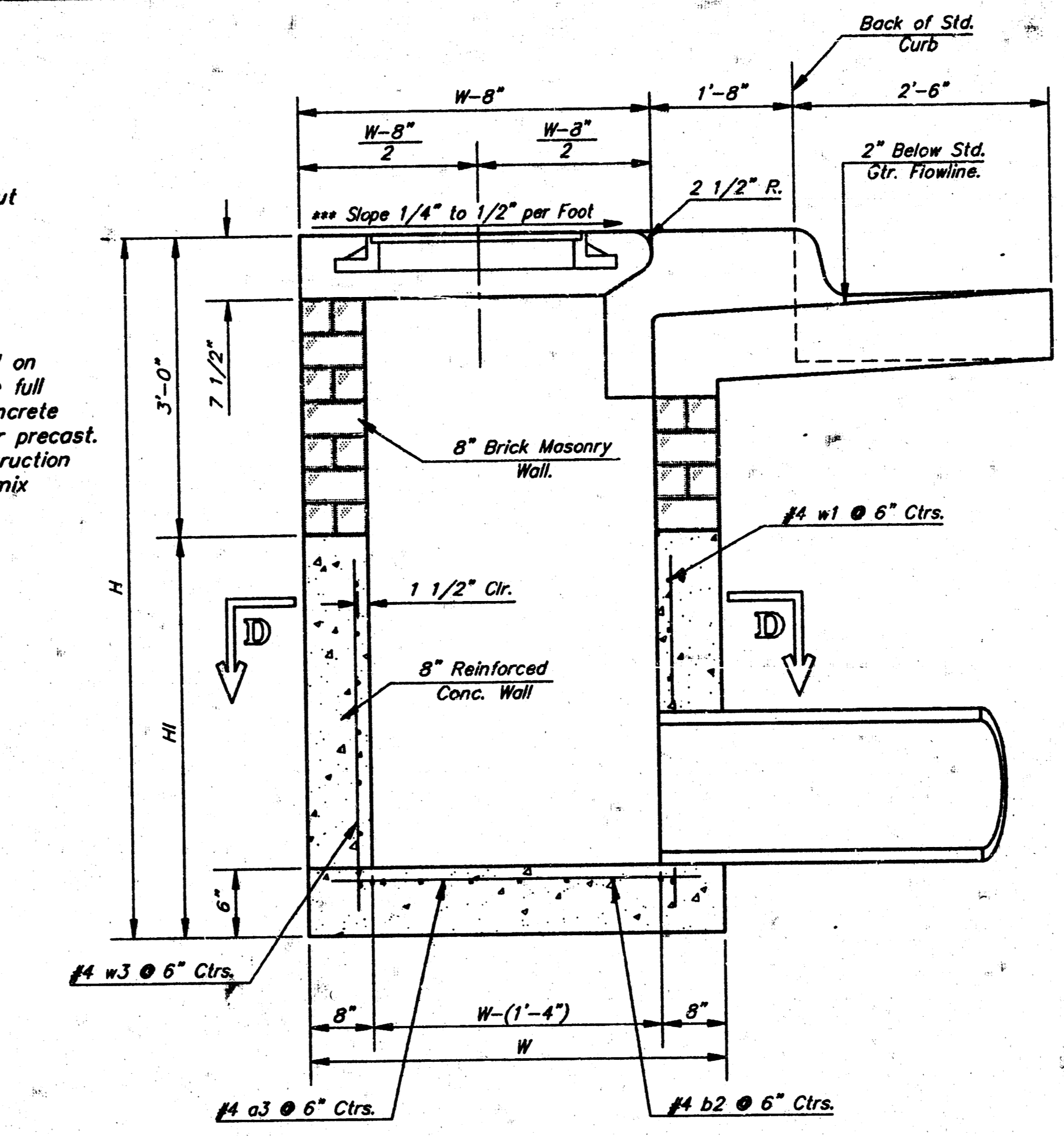
SECTION D-D

NOTE: Contractor shall have the option of constructing 8" brick masonry walls between the concrete inlet base and top on this inlet when W=6'-4" and H=7'-0" or less.

Additional curb and gutter construction necessary to connect set-back inlet to pavement will be paid for at the unit price bid for each inlet hookup.

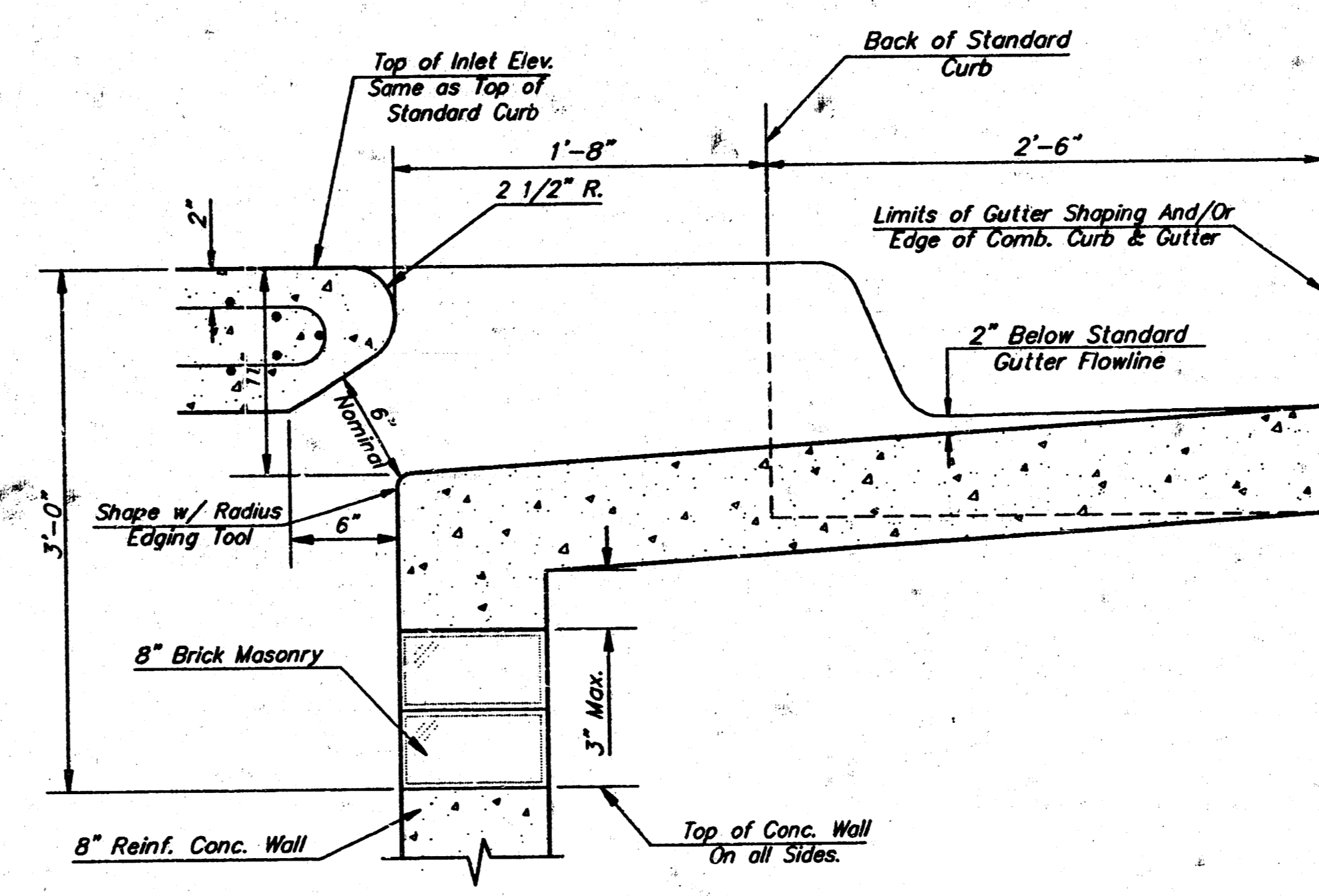
Inlet invert shall be shaped with 8 sack sand mix concrete to create flow channels and to increase hydraulic efficiency such that the inlet will be self-cleaning between all inlet and/or outlet pipes.

The ends of all pipes installed in inlets shall be cut off flush with the inside face of the inlet wall.

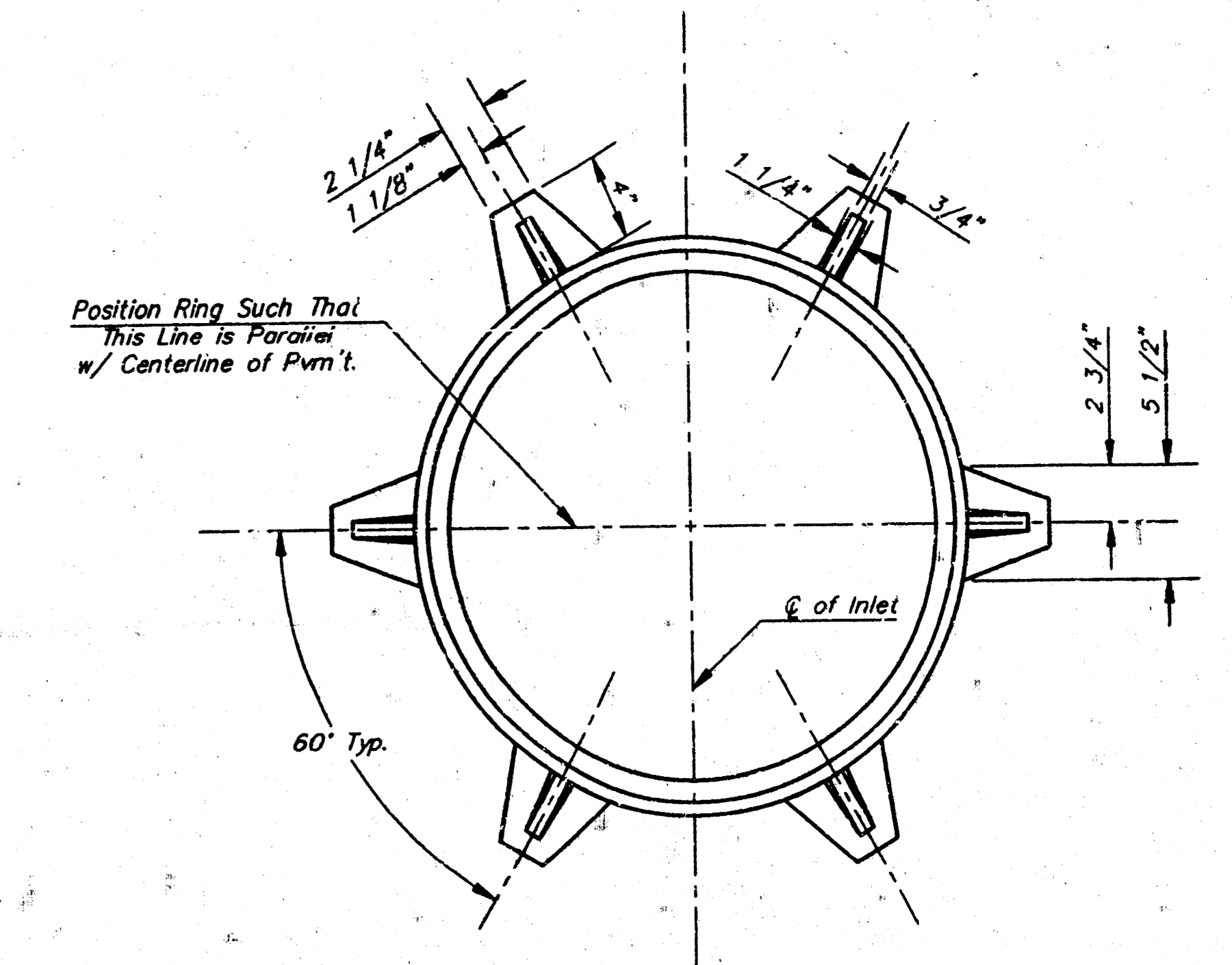


SECTION A-A

NOTE: Slope of Inlet tops to Match Sidewalk or Parking Slopes within Limits Indicated.

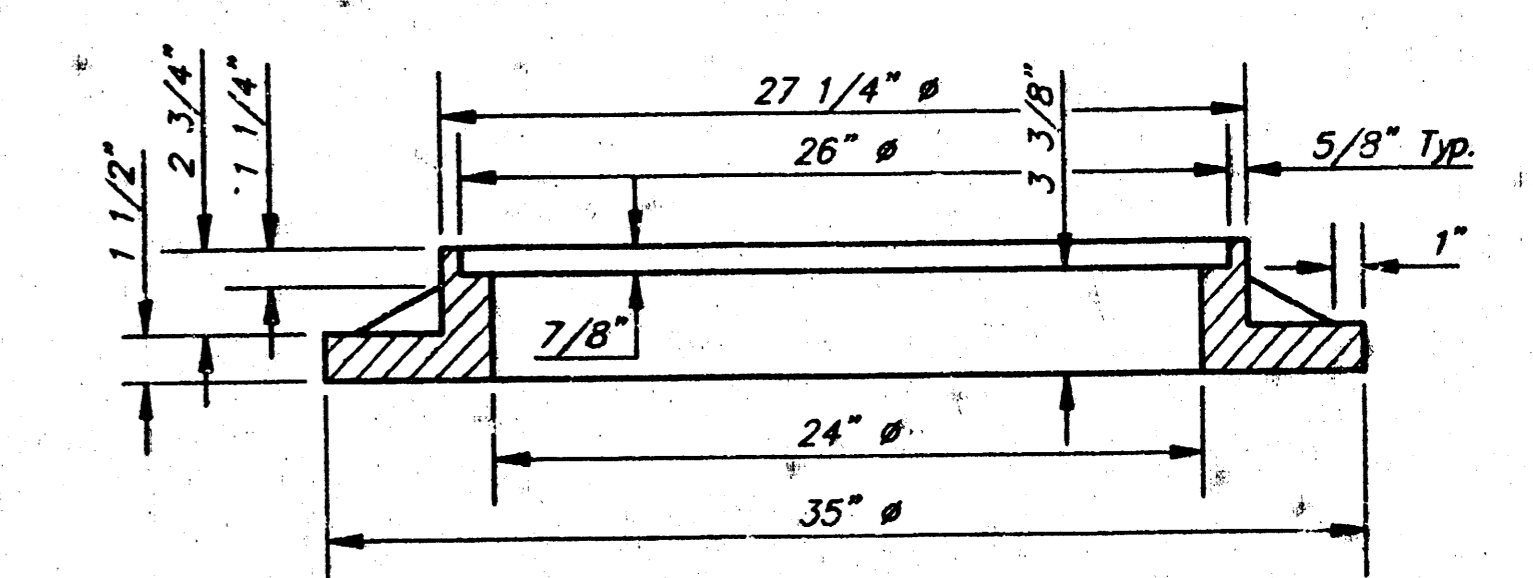


SECTION B-B



MANHOLE RING AND COVER

Weight = 180 Lbs.  
 \*See City of Wichita Standard Manhole Ring and Cover Detail Sheet for Cover Details to Be Used With Inlet Frame.



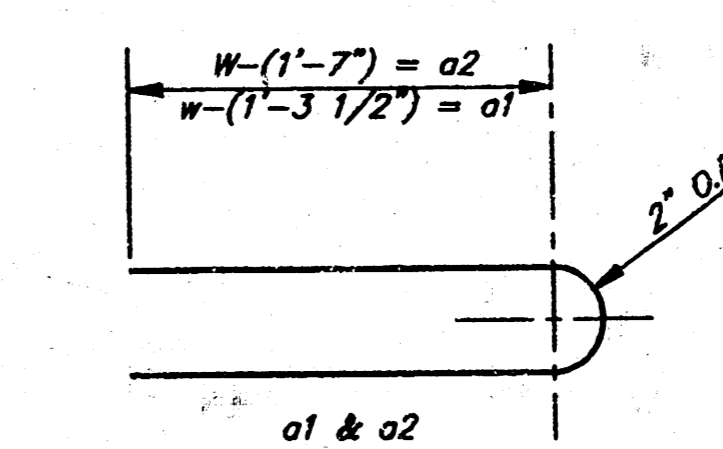
SECTION A-A

PRECAST SLAB AND FLOOR REINFORCING											
MARK	SIZE	W = 4'-4"		W = 5'-4"		W = 6'-4"		W = 7'-4"		W = 8'-4"	
		NO.	LENGTH	NO.	LENGTH	NO.	LENGTH	NO.	LENGTH	NO.	LENGTH
a1	#4	6	6'-7"	6	8'-7"	6	10'-7"	6	12'-7"	6	14'-7"
a2	#4	4	6'-0"	4	8'-0"	4	10'-0"	4	12'-0"	4	14'-0"
a3	#4	13	4'-1"	13	5'-1"	13	6'-1"	13	7'-1"	13	8'-1"
b1	#4	1	4'-9"	1	4'-9"	1	4'-9"	1	4'-9"	1	4'-9"
b2	#4	23	6'-1"	29	6'-1"	35	6'-1"	41	6'-1"	47	6'-1"
x1	#4	8	3'-10"	8	4'-2"	8	4'-6"	8	4'-10"	8	5'-2"

WALL REINFORCING											
MARK	SIZE	W = 4'-4"		W = 5'-4"		W = 6'-4"		W = 7'-4"		W = 8'-4"	
		NO.	LENGTH	NO.	LENGTH	NO.	LENGTH	NO.	LENGTH	NO.	LENGTH
w1	#4	1	6'-1"	1	6'-1"	1	6'-1"	1	6'-1"	1	6'-1"
w2	#4	1	4'-1"	1	5'-1"	1	6'-1"	1	7'-1"	1	8'-1"
w3	#4	32	3"	36	3"	40	3"	44	3"	48	3"

\*Field Bend or Cut Reinforcing as Required for Clearance.  
 ① 4 (H - 12') (H - 21') Rounded down to nearest 0.5"  
 ② H - 3"



BENDING DIAGRAM

STANDARD CURB INLET PRECAST TOPS			
W	PRE-CAST TOP SIZE	PIPE SIZE	CU. YD. CONC.
4'-4"	3'-8" x 6'-4" x 7 1/2"	21" & SMALLER	0.38±
5'-4"	4'-8" x 6'-4" x 7 1/2"	24" & 30"	0.51±
6'-4"	5'-8" x 6'-4" x 7 1/2"	36" & 42"	0.64±
7'-4"	6'-8" x 6'-4" x 7 1/2"	48" & 54"	0.77±
8'-4"	7'-8" x 6'-4" x 7 1/2"	60" & 66"	0.90±

CITY OF WICHITA STANDARD TYPE 1A  
 CURB INLET DETAILS  
 INLET OPENING = 6" x 5'-0"

PROJECT NUMBER: 315 PPS  
 SHEET 10 OF 10

BAUGHMAN COMPANY P. A.  
 ENGINEERING & SURVEYING  
 315/282-7271 • 315 ELLIS • WICHITA, KANSAS 67202

Revised - Feb. 16, 1989