

DRAINAGE

BONNIE BRAE SECOND ADD.
WICHITA KANS.

FOR

BUILDERS INC.

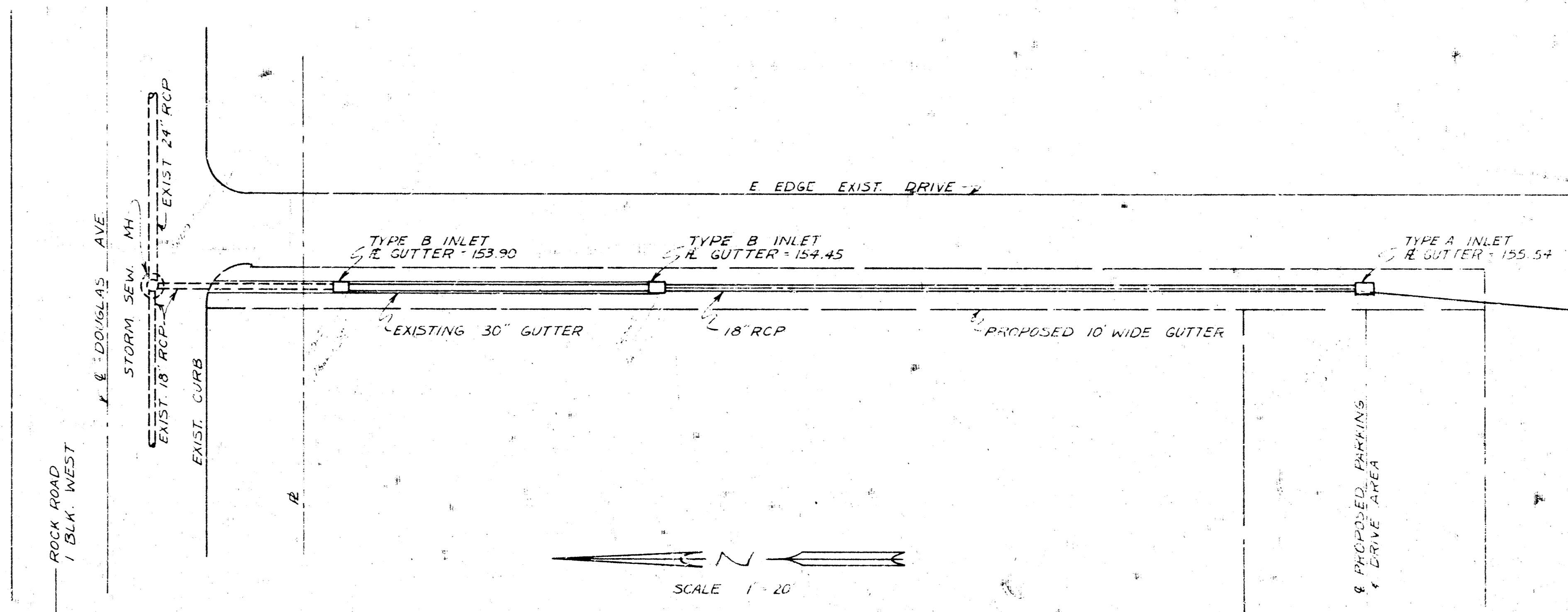
REISS AND GOODNESS ENGINEERS
2160 E. DOUGLAS WICHITA KANSAS
1972

NOTE TO CONTRACTOR
This project will be constructed under the supervision of the CITY ENGINEER and shall conform to the SPECIFICATIONS of the City of Wichita. The CONTRACTOR shall advise the City of Wichita of any changes in engineering, Plans, and specifications.

APPROVED AS NOTED
By CITY ENGINEER OF WICHITA
Sanitary Sewers _____
Storm _____
Driveway Approaches _____

AAKB-2018

DATE: 11/15/72 SHEET 1 OF 3



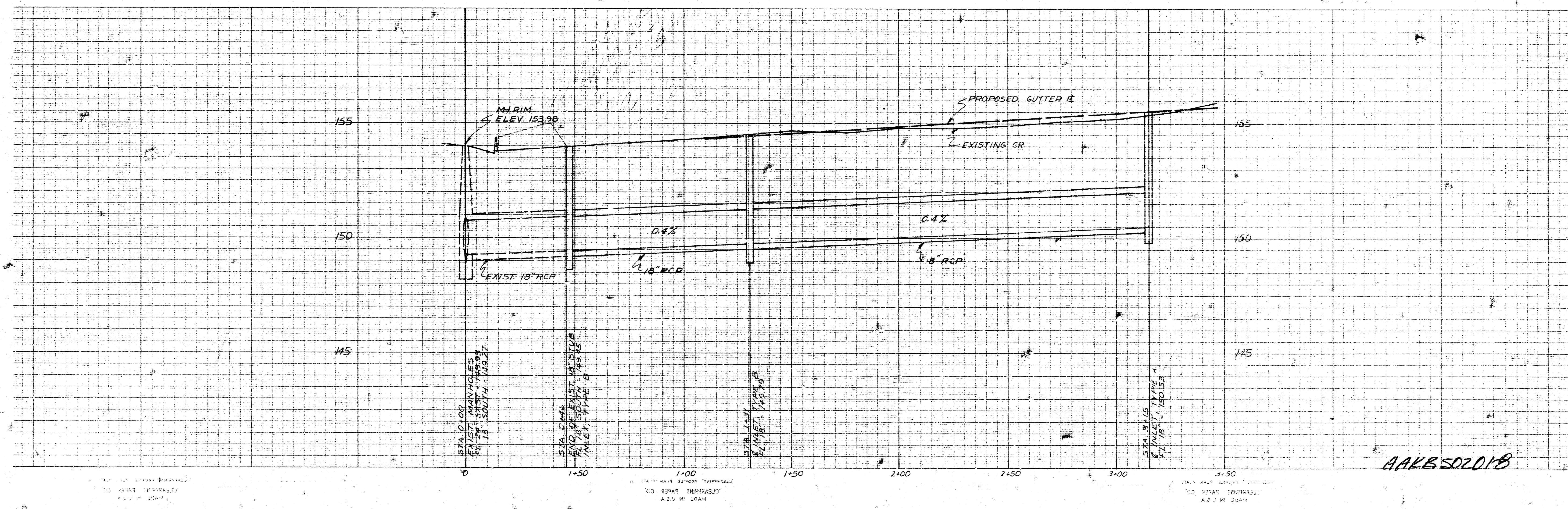
APPROVED AS NOTED
 BY THE CITY OF WICHITA

NOTE TO CONTRACTOR
 This project will be constructed under the supervision of the City Engineer and engineer of record. The CONTRACTOR shall comply with the City of Wichita Code of Ordinances, Plans and Specifications.

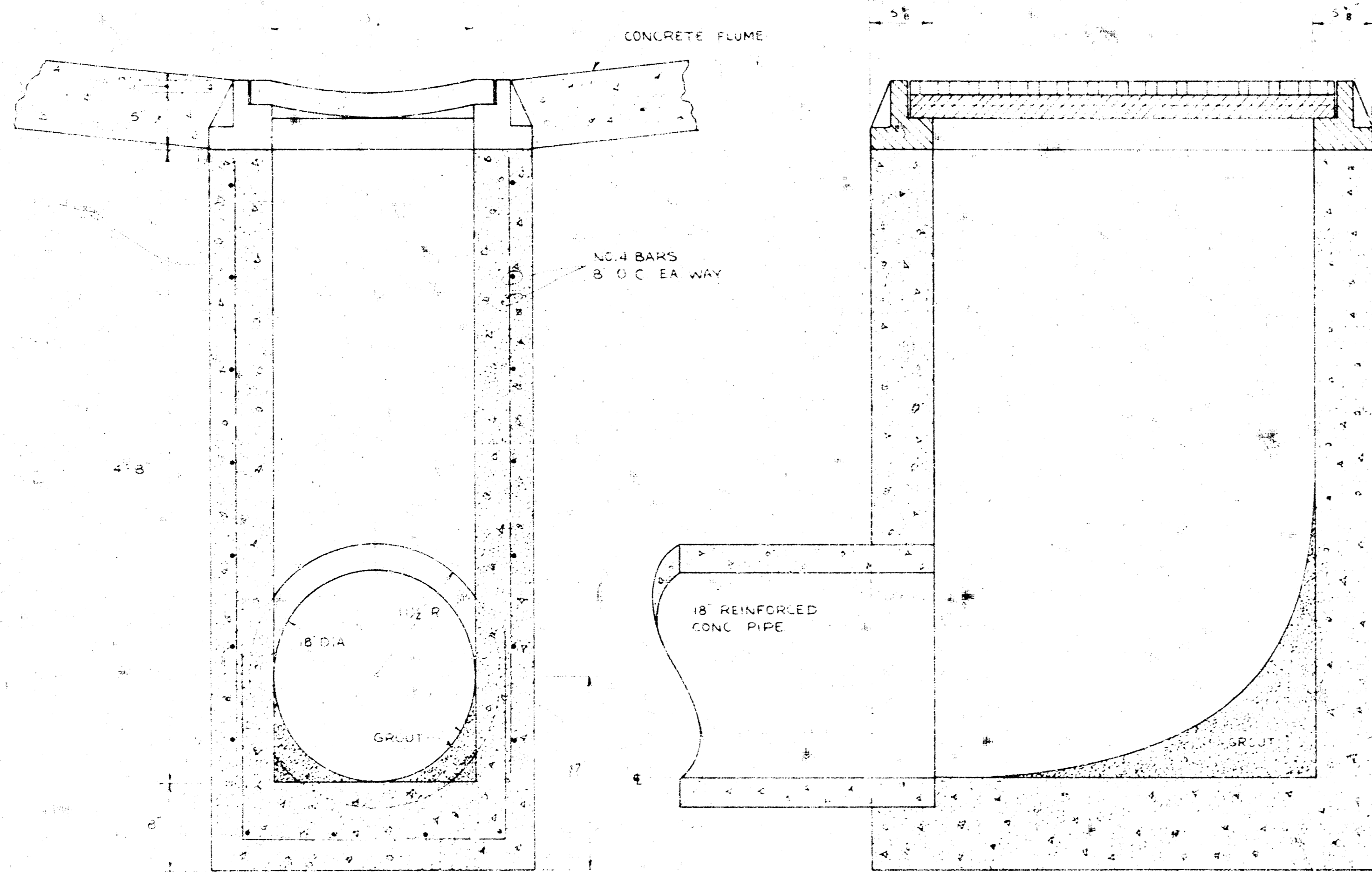
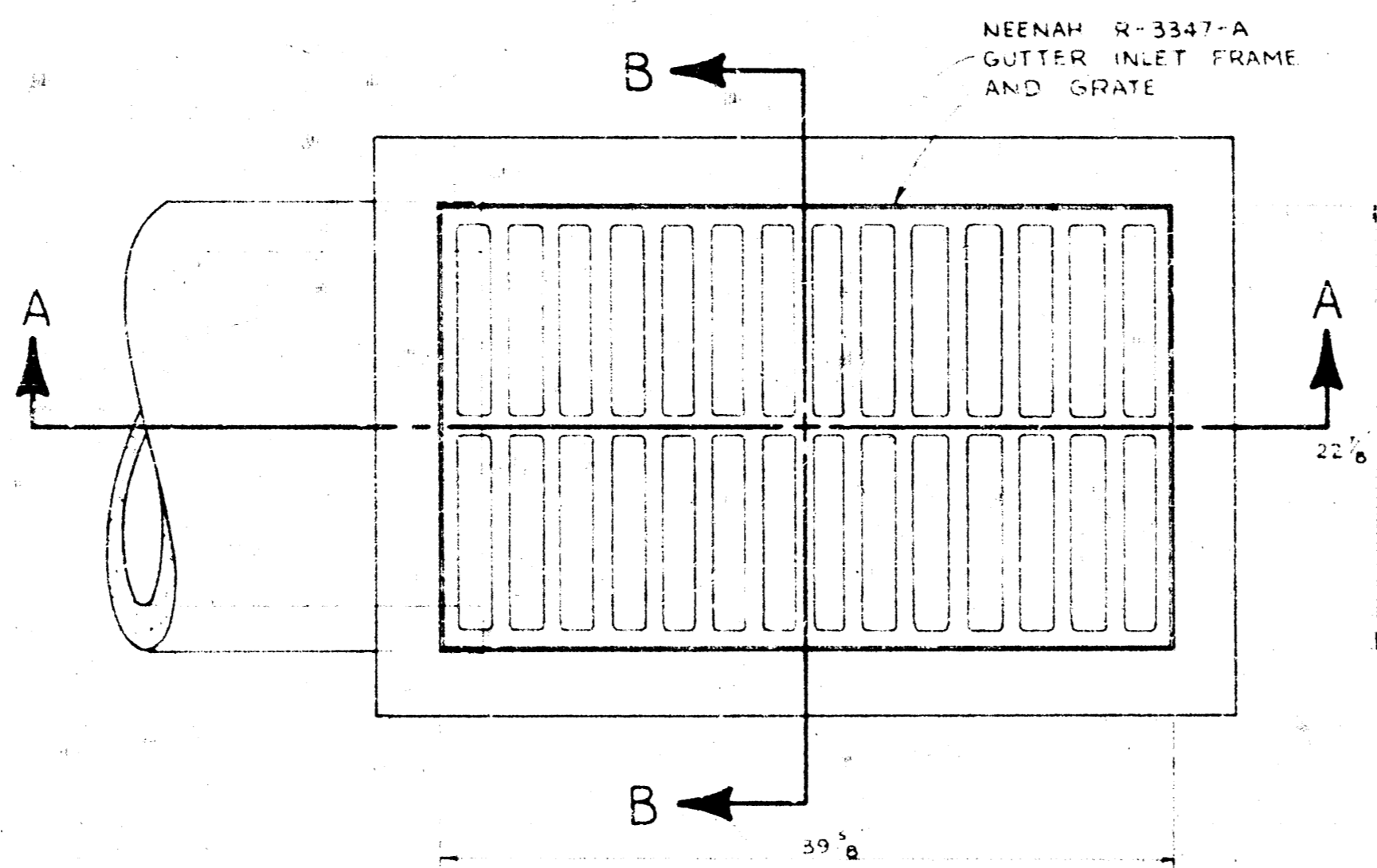
B.M. (CITY OF WICHITA)
 BRASS PLUS IN CONCRETE ALIGNMENT
 50' ± S. OF E. OF INTERSECTION
 DODD AVE AND ROCK ROAD.
 ELEV. 103.20

REISS & GOODNESS ENGINEERS
 1001 N. WILSON ST.
 WICHITA, KANSAS 67214

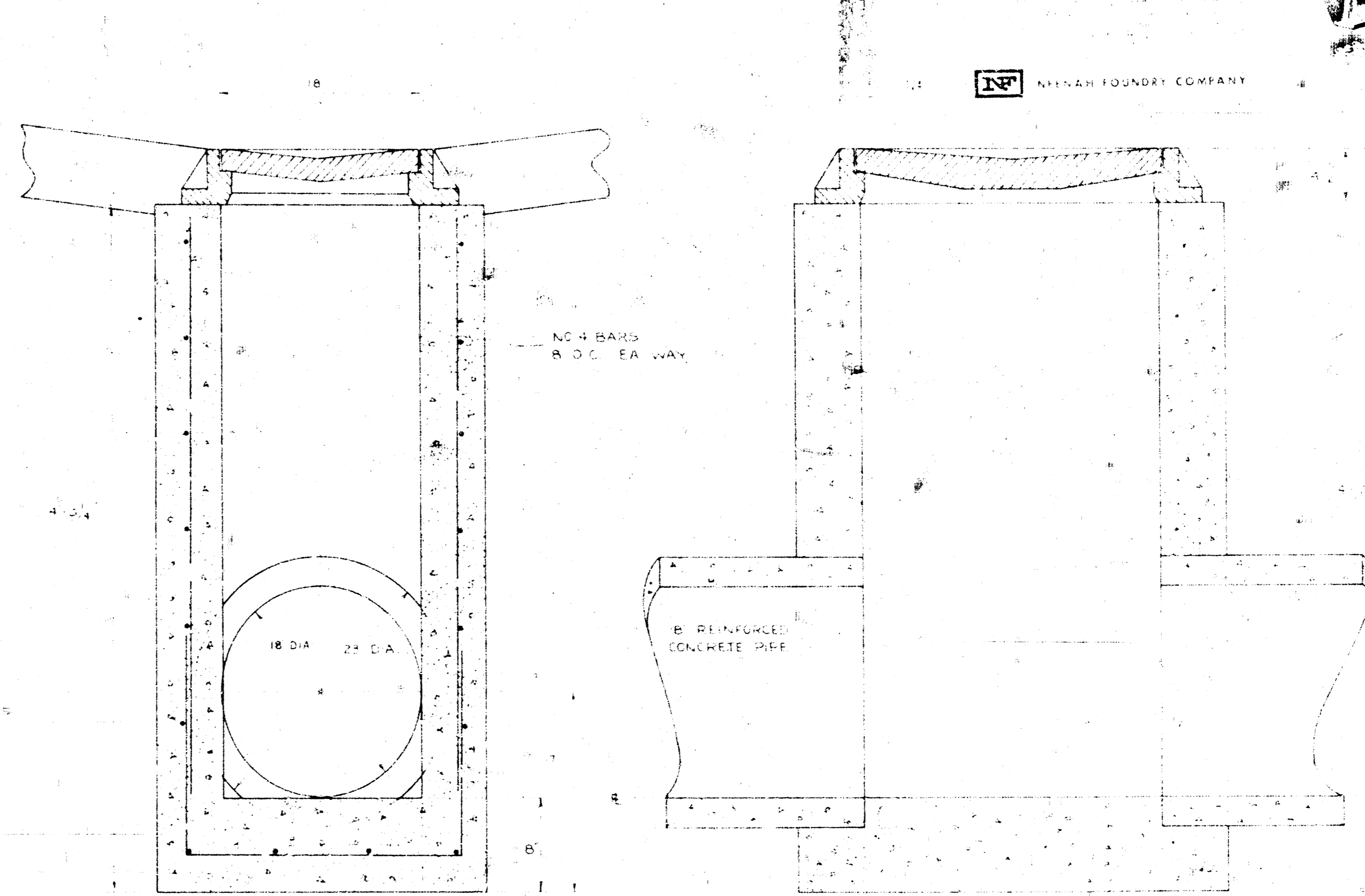
INDUSTRIAL DRAINAGE DIVISION
 PROJECT: DRAINAGE
 SHEET NO. 2
 OF 3 SHEETS



AAKB0201B

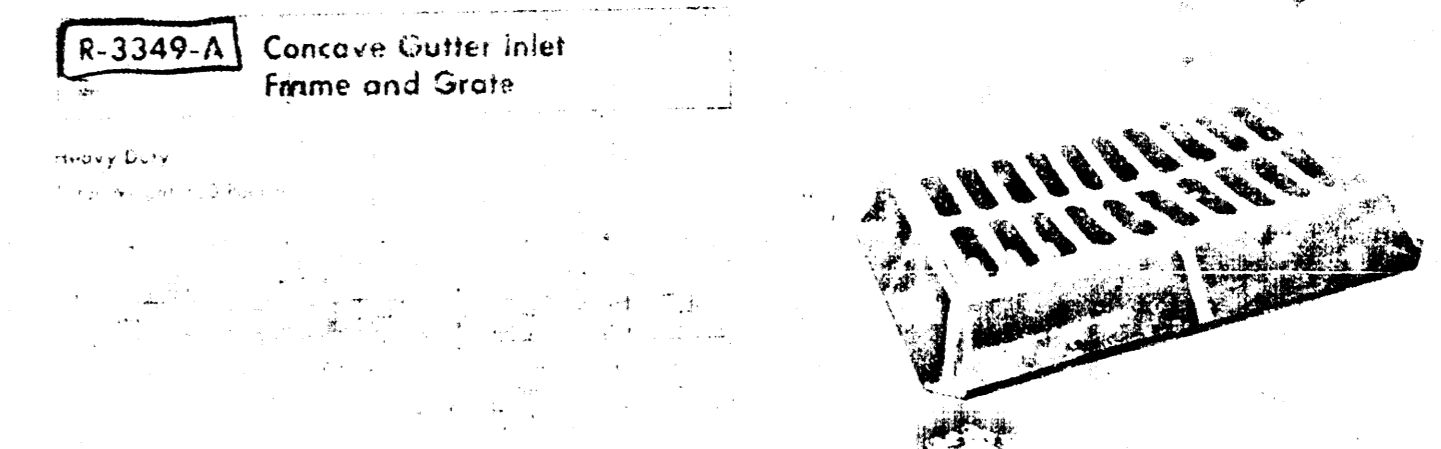
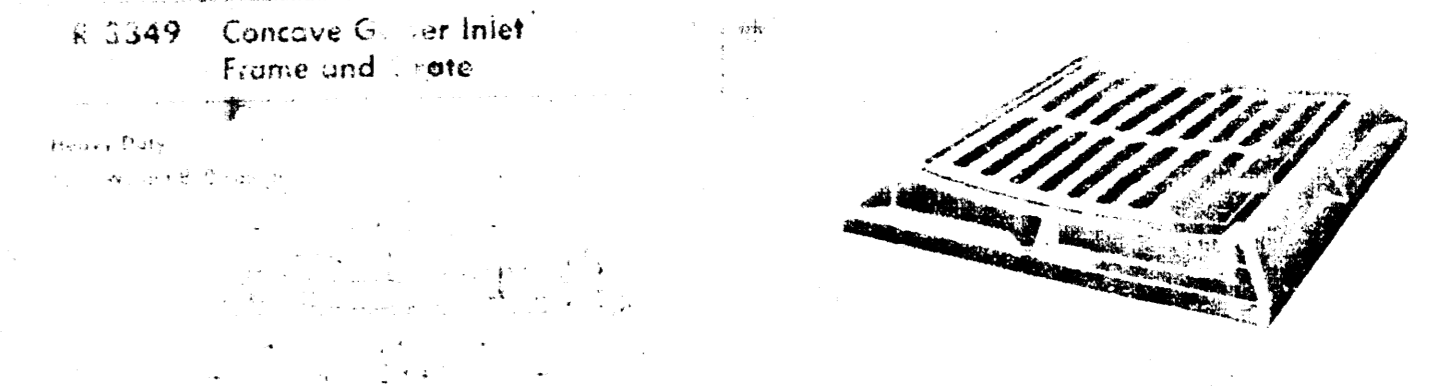
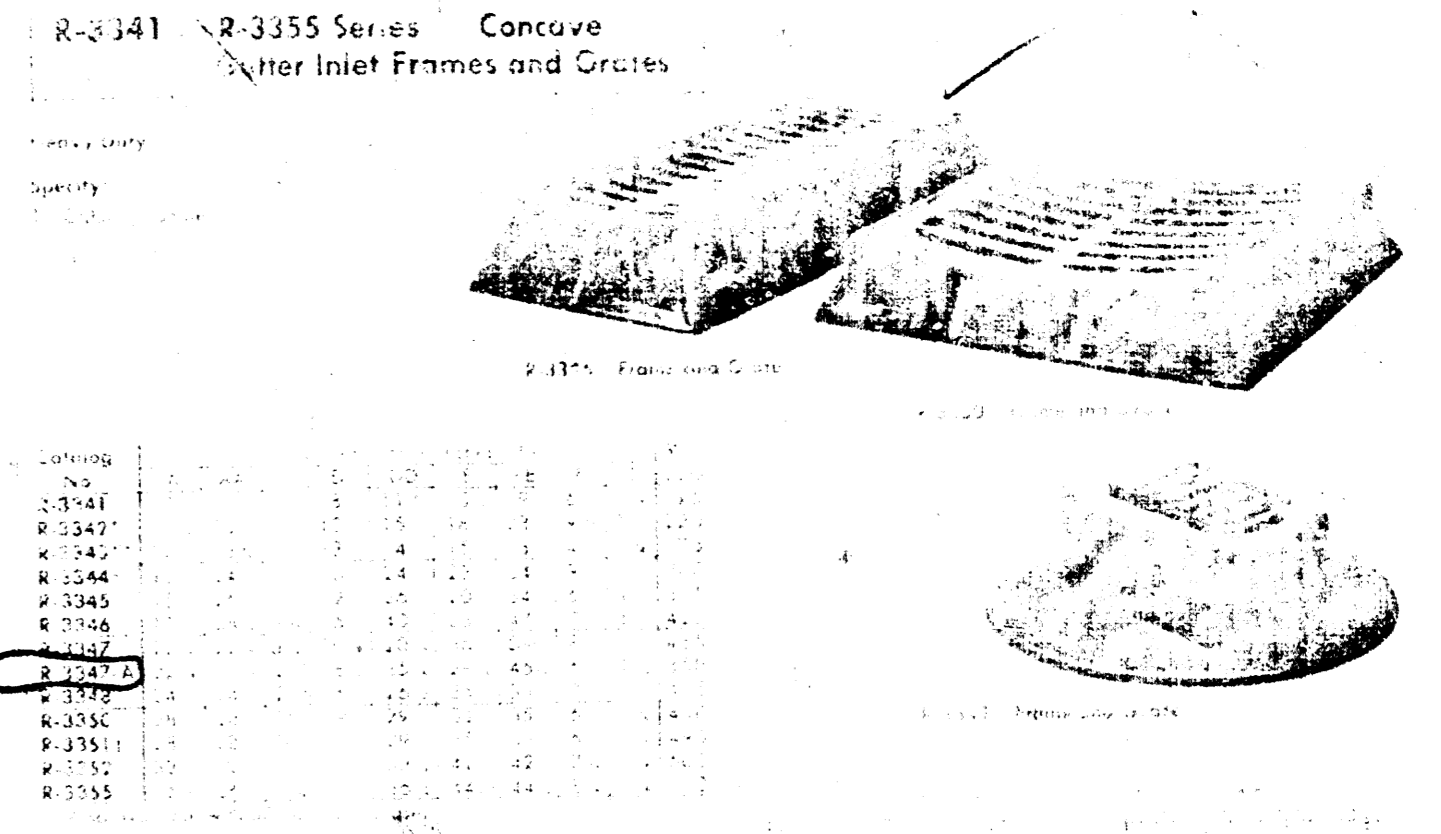


SEC. B-B
GUTTER INLET DETAIL
TYPE-A
SCALE 1/2" = 1'-0"



SEC. B-B
GUTTER INLET DETAIL
TYPE-B
SCALE 1/2" = 1'-0"

NOTE
FOR GUTTER ELEVATIONS
AND PIPE INVERTS
SEE PROFILE SHEET



NEENAH FOUNDRY COMPANY

GUTTER INLET DETAILS