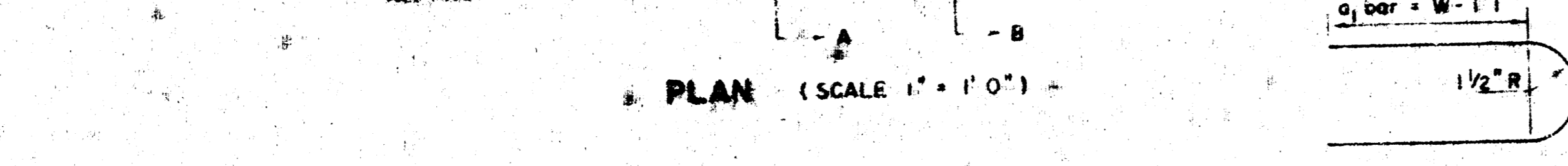
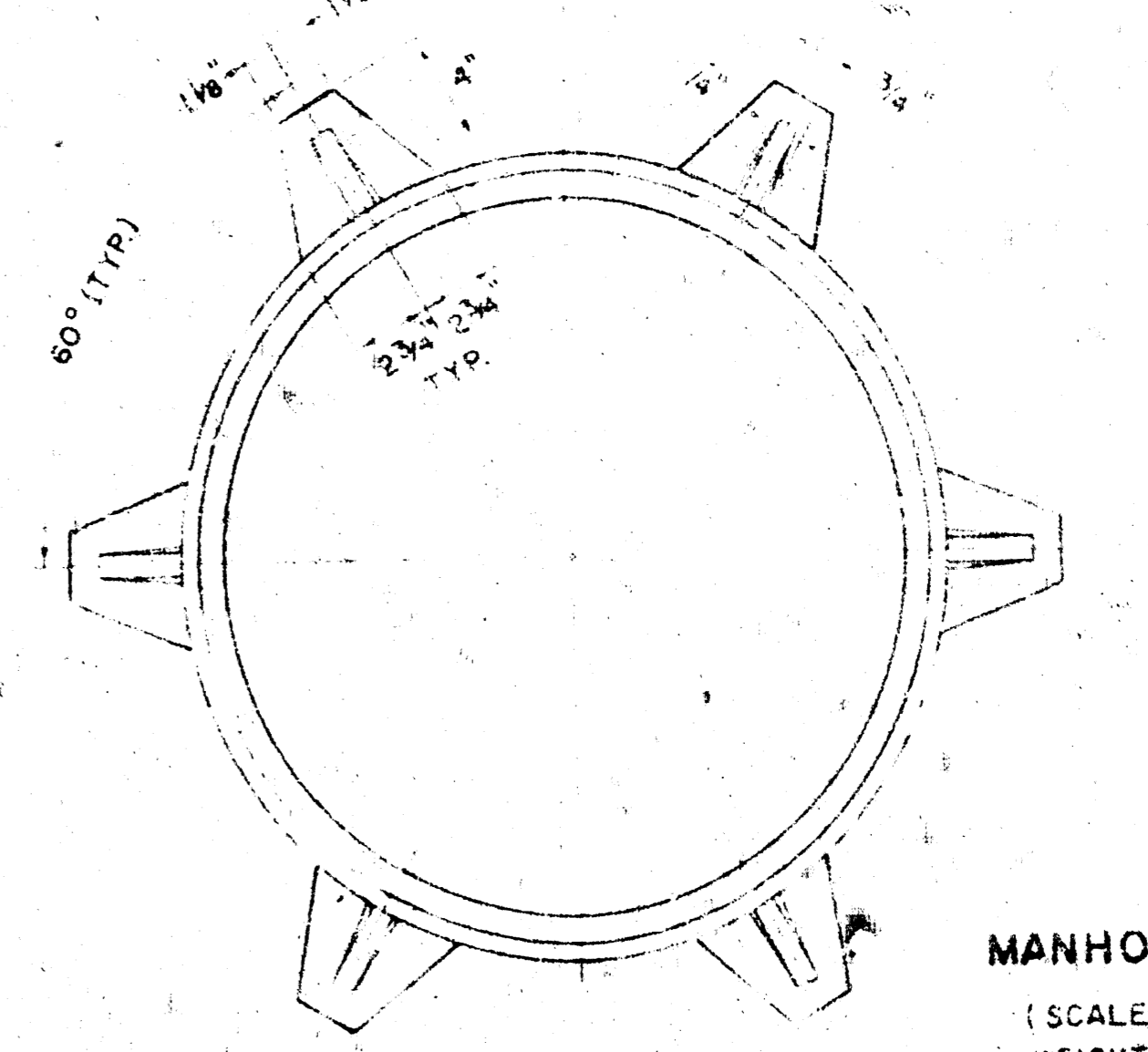
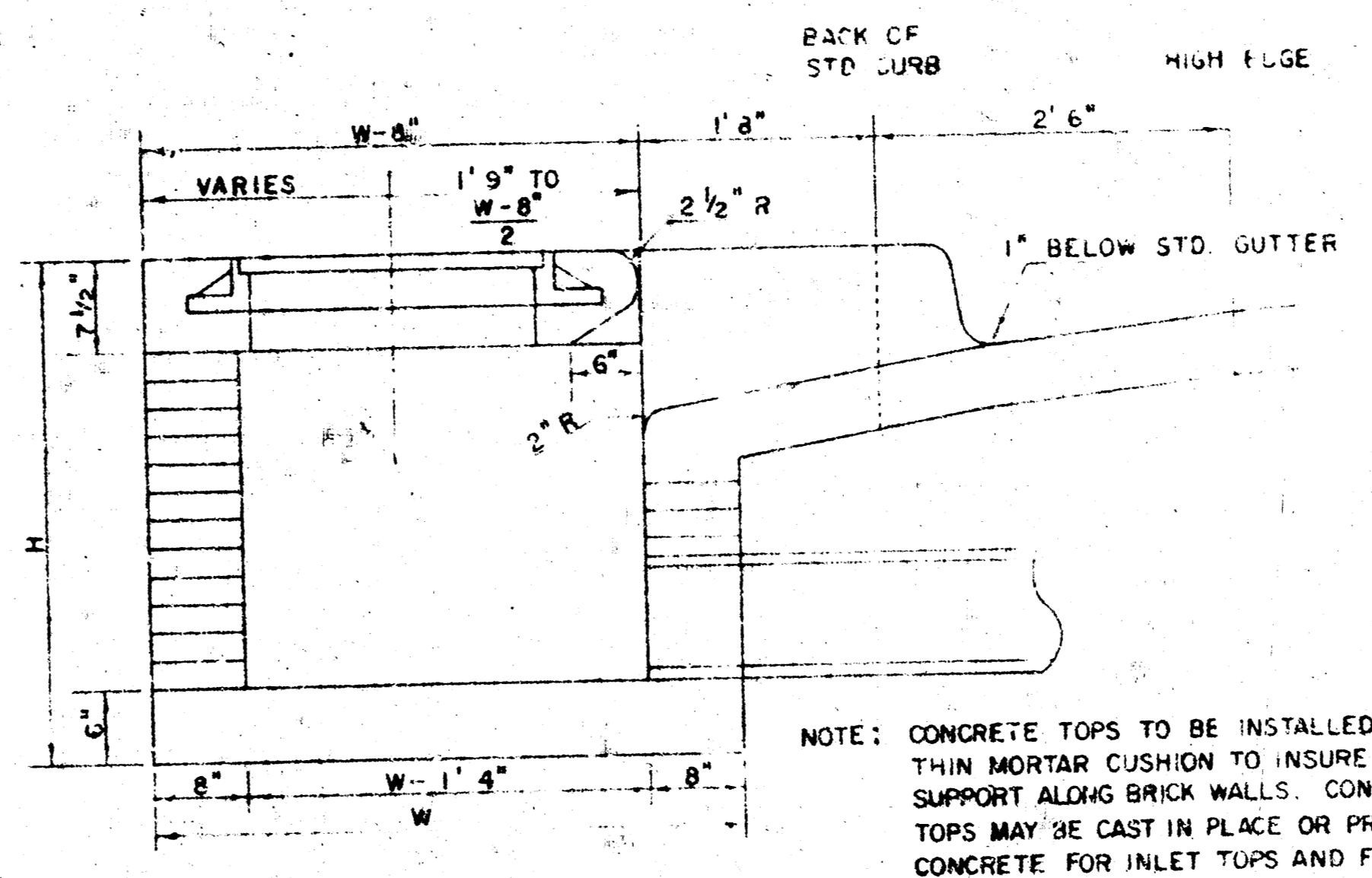
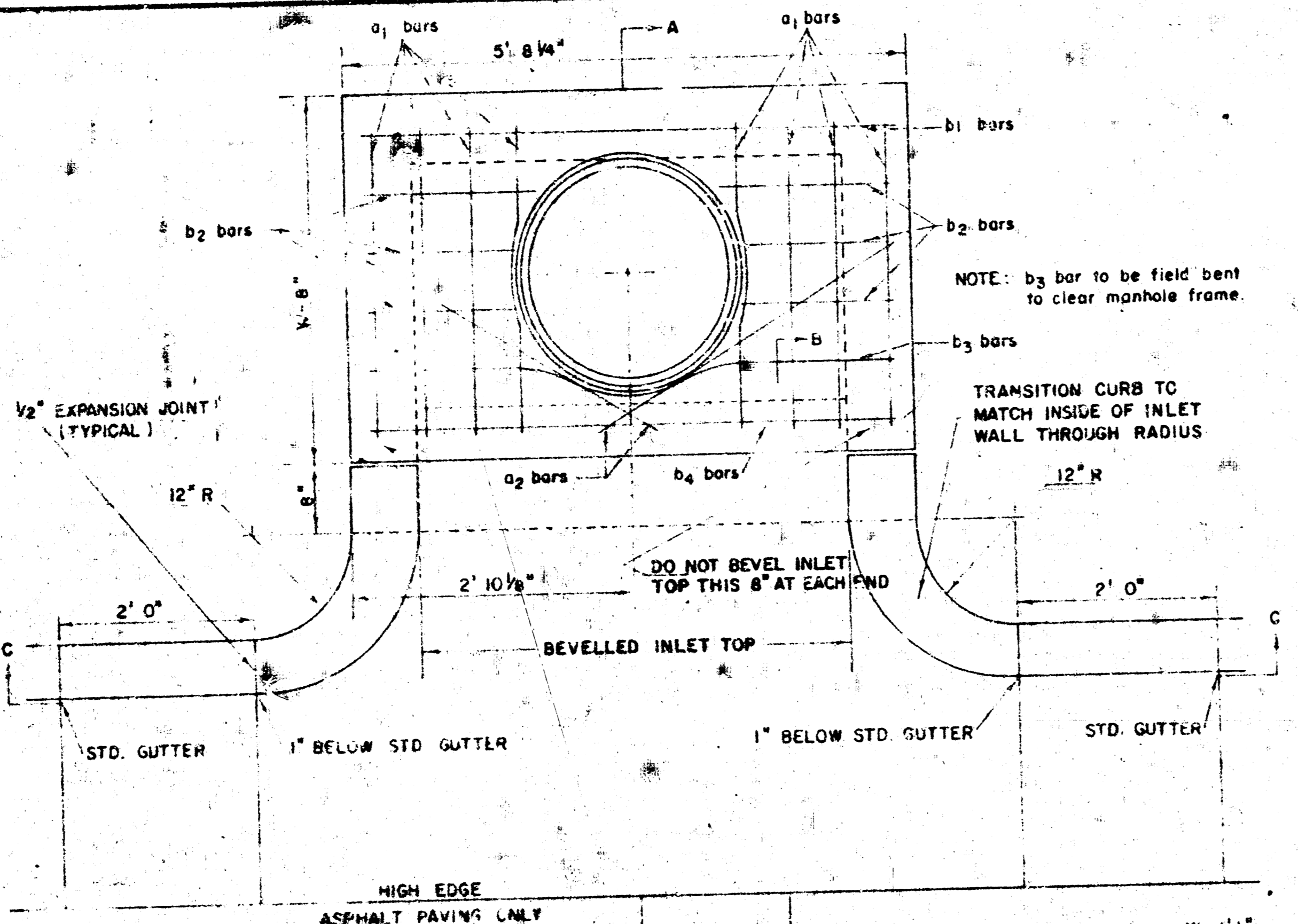
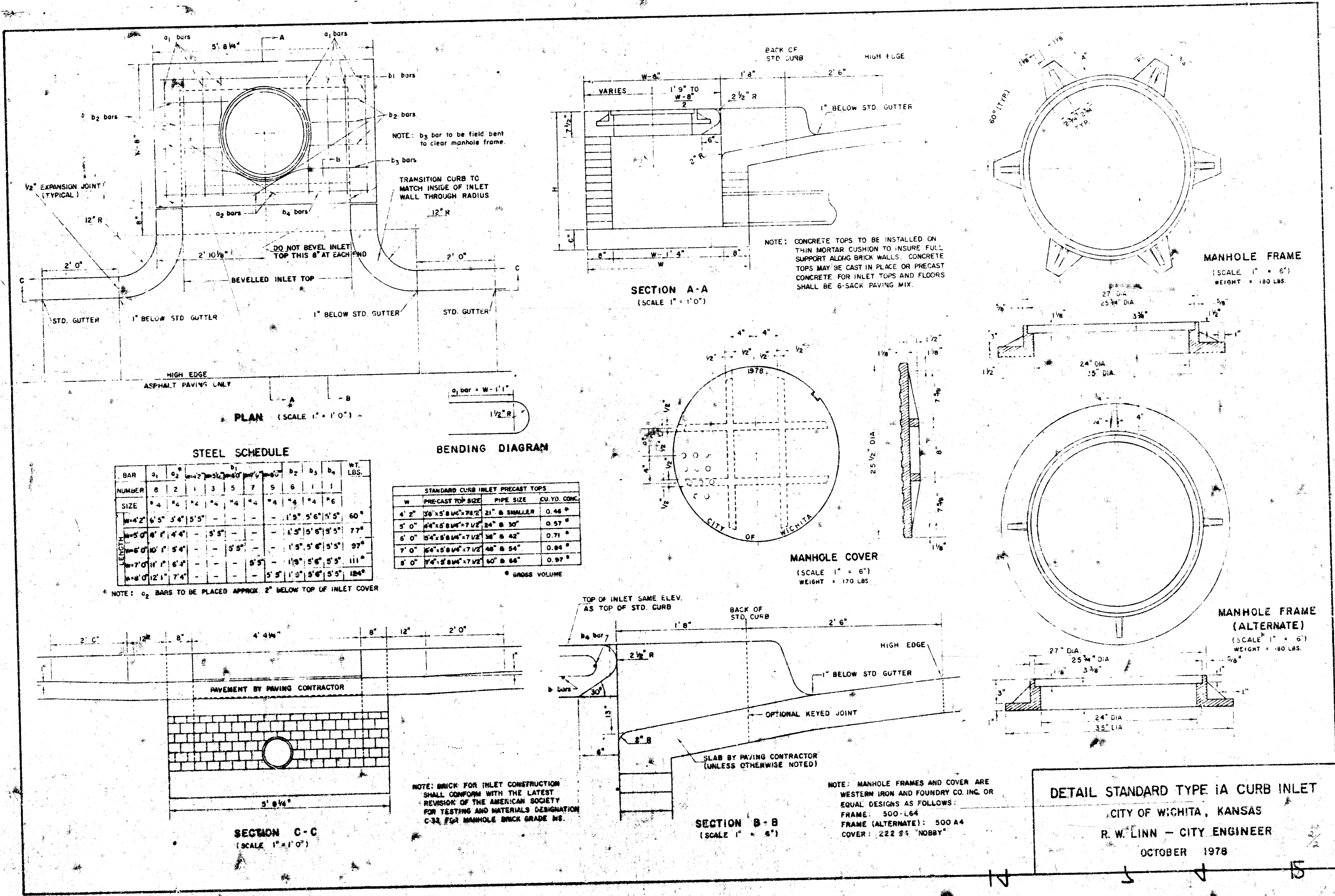


RECEIVED
 OCT 10 1978
 CIVIL ENGINEERING



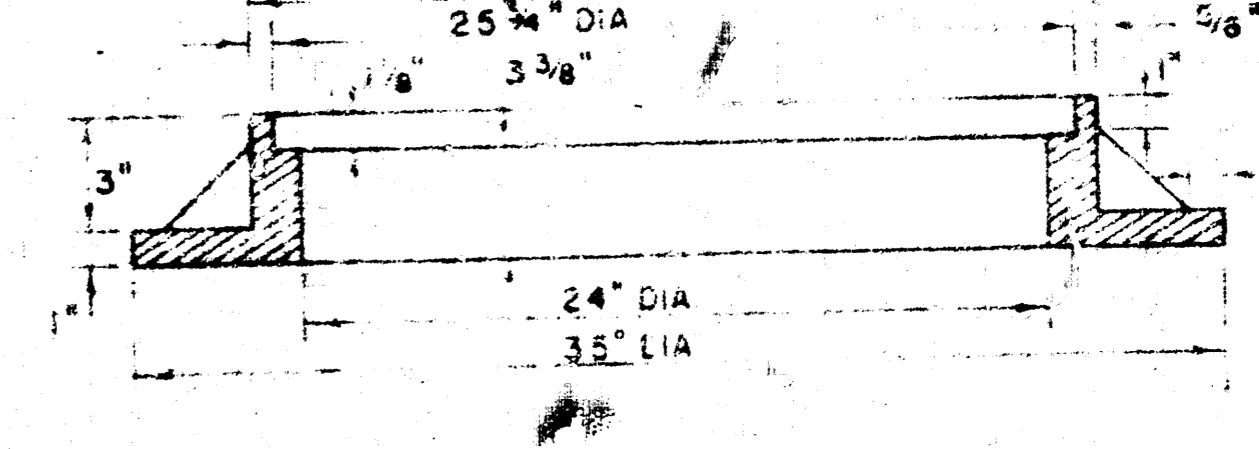
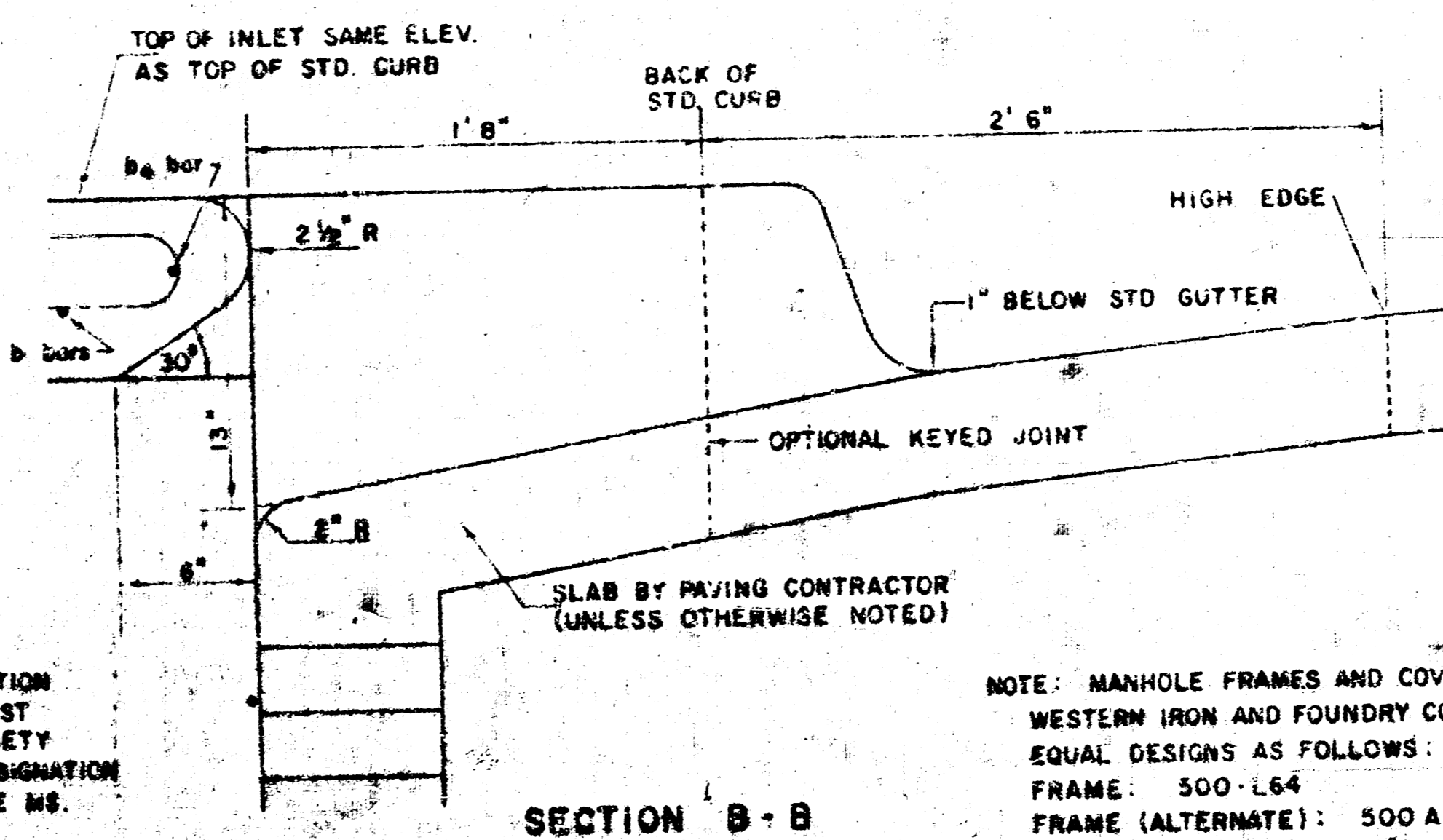
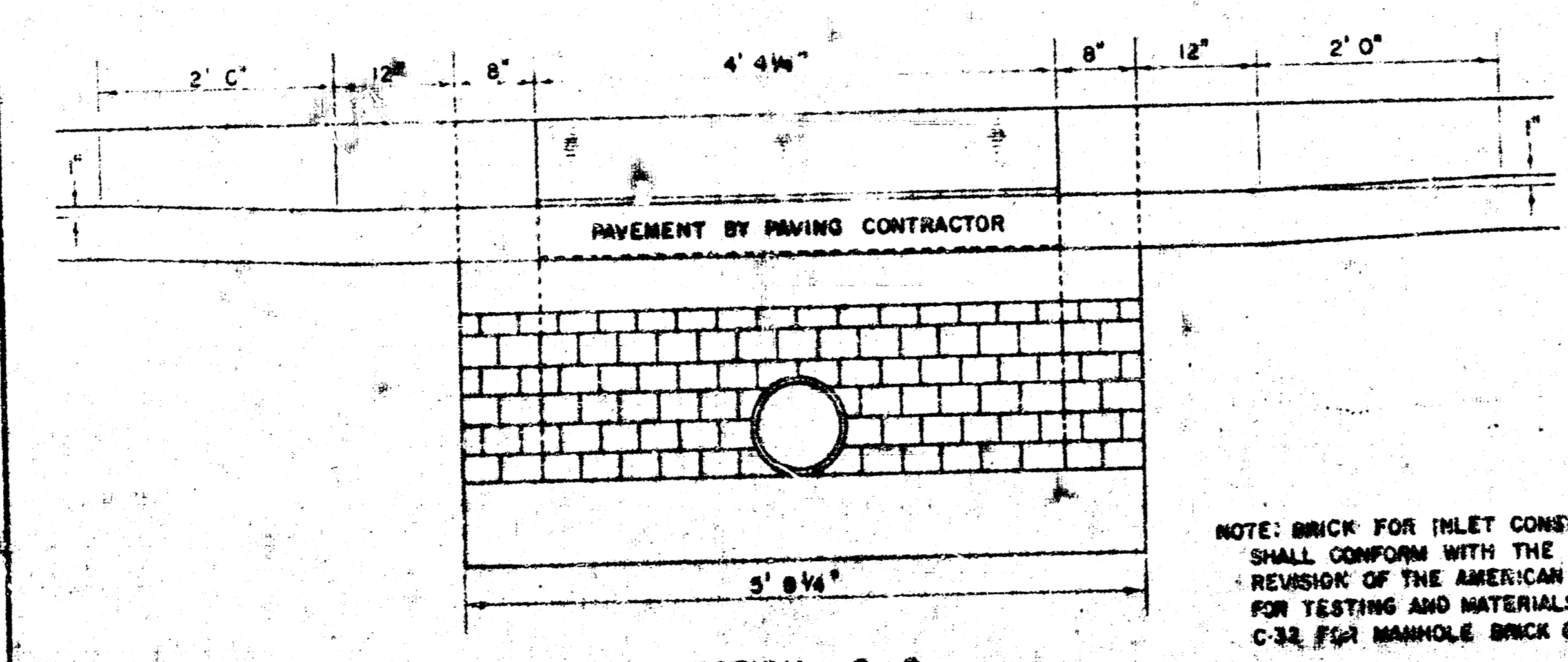
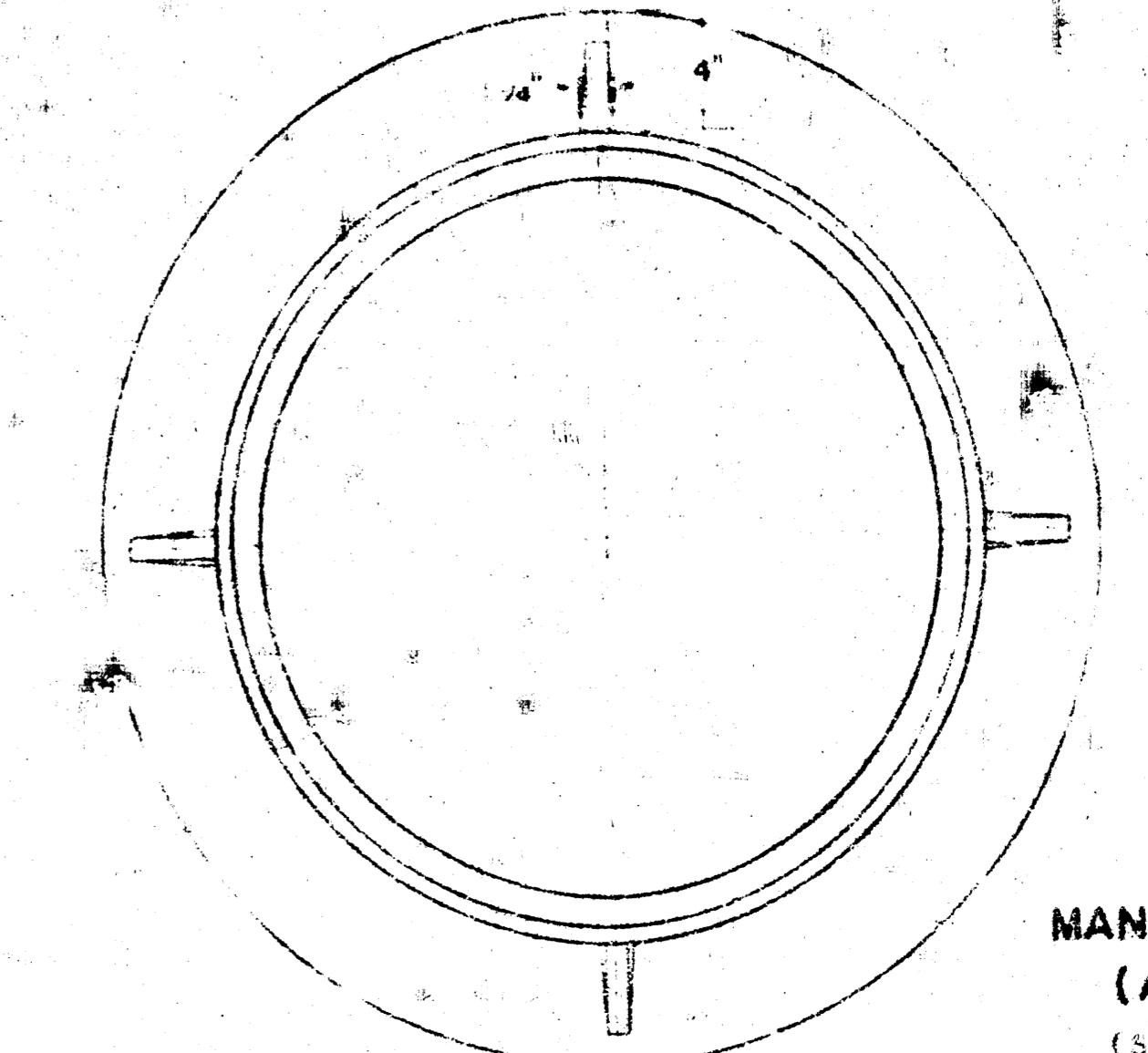
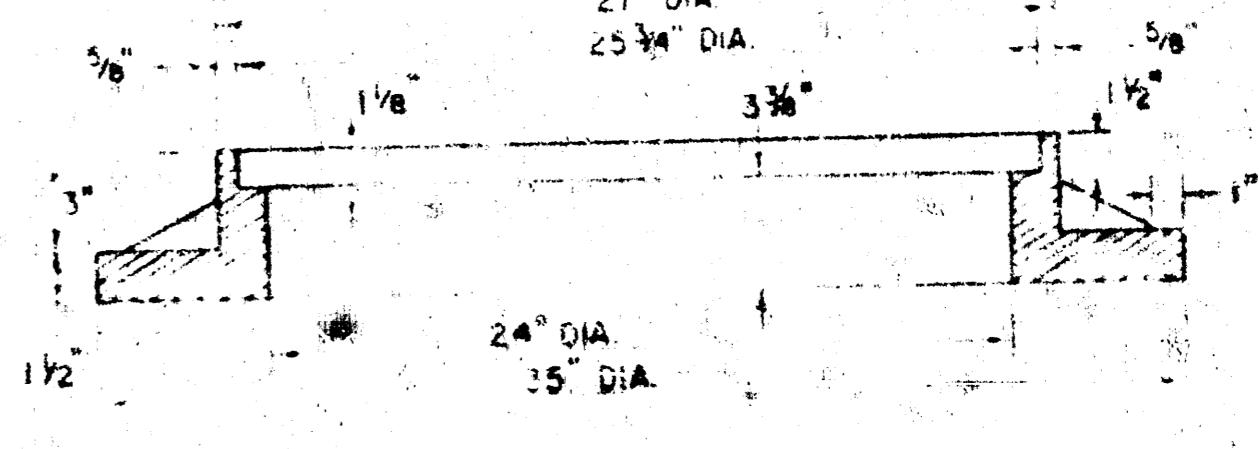
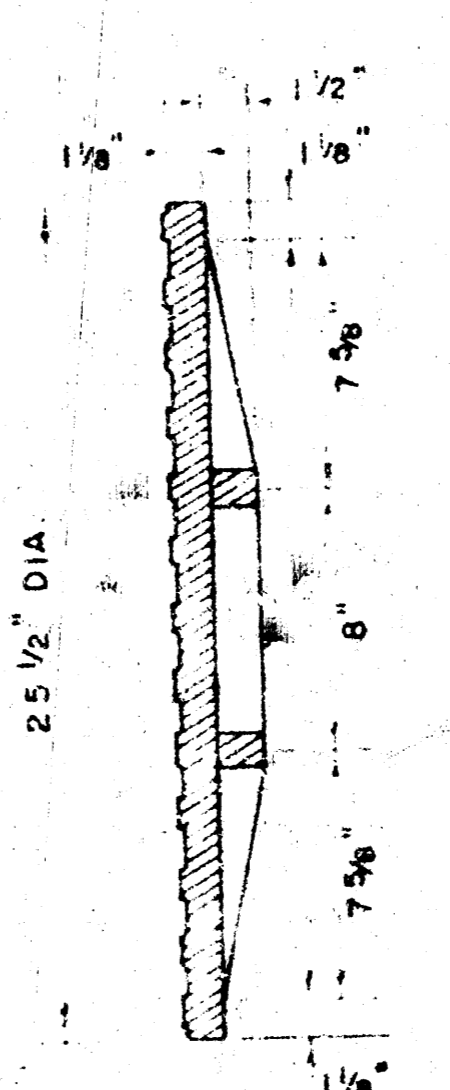
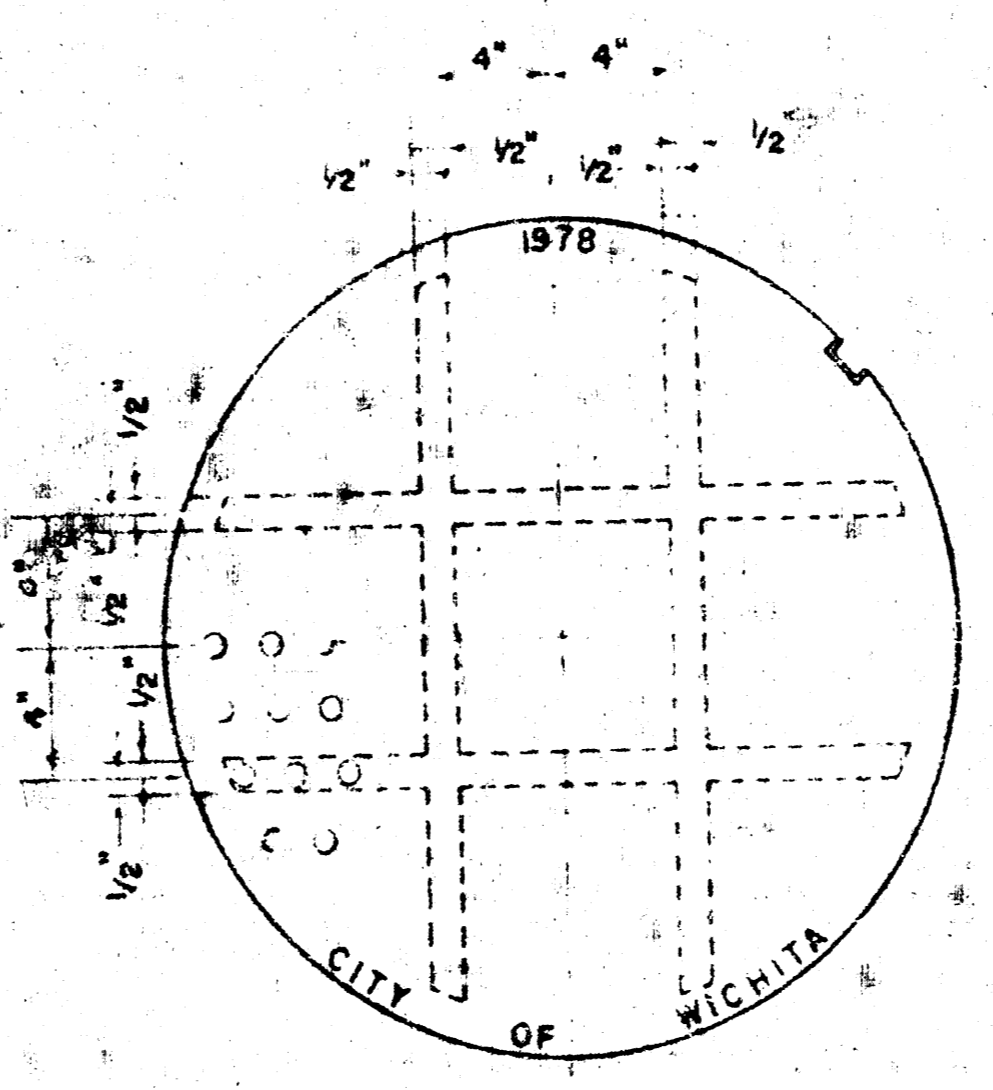
STEEL SCHEDULE

BAR NUMBER	a ₁	a ₂	a ₃	a ₄	a ₅	a ₆	a ₇	a ₈	a ₉	WT. LBS.	
1	6	2	1	3	5	7	5	6	1	1	
SIZE	3/4	3/4	3/4	3/4	3/4	3/4	3/4	3/4	3/4	3/4	
W	4' 2"	6' 5"	3' 4"	5' 5"	-	-	-	1' 5"	5' 6"	5' 5"	60*
W	5' 0"	6' 1"	4' 4"	-	5' 5"	-	-	1' 5"	5' 6"	5' 5"	77*
W	6' 0"	10' 1"	5' 4"	-	5' 5"	-	-	1' 5"	5' 6"	5' 5"	97*
W	7' 0"	11' 1"	6' 4"	-	5' 5"	-	-	1' 5"	5' 6"	5' 5"	111*
W	8' 0"	12' 1"	7' 4"	-	5' 5"	-	-	1' 5"	5' 6"	5' 5"	124*

STANDARD CURB INLET PRECAST TOPS

PRECAST TOP SIZE	PIPE SIZE	CU. YD. CONC.
4' 2"	36" x 5' 8 1/4" x 7 1/2"	21" & SMALLER 0.46*
5' 0"	44" x 6 5/8" x 7 1/2"	24" & 30" 0.57*
6' 0"	54" x 8 1/4" x 7 1/2"	36" & 42" 0.71*
7' 0"	64" x 9 5/8" x 7 1/2"	48" & 54" 0.86*
8' 0"	74" x 10 5/8" x 7 1/2"	60" & 66" 0.97*

* GROSS VOLUME



NOTE: BRICK FOR INLET CONSTRUCTION SHALL CONFORM WITH THE LATEST REVISION OF THE AMERICAN SOCIETY FOR TESTING AND MATERIALS DESIGNATION C-33 FOR MANHOLE BRICK GRADE NS.

NOTE: MANHOLE FRAMES AND COVER ARE WESTERN IRON AND FOUNDRY CO. INC. OR EQUAL DESIGNS AS FOLLOWS:
 FRAME: 500-L64
 FRAME (ALTERNATE): 500-A4
 COVER: 222-51 'NOBBY'

DETAIL STANDARD TYPE IA CURB INLET
 CITY OF WICHITA, KANSAS
 R. W. LINN - CITY ENGINEER
 OCTOBER 1978

FILMED FROM THE BEST AVAILABLE COPY