

Construct 40' Channel
See Sheet No. 3 for Channel Details

Remove Exist pipe & Install 22" x 15" x 90" C.M.P.

± 10" V Ditch
See Sheet No. 3 for Construction Details

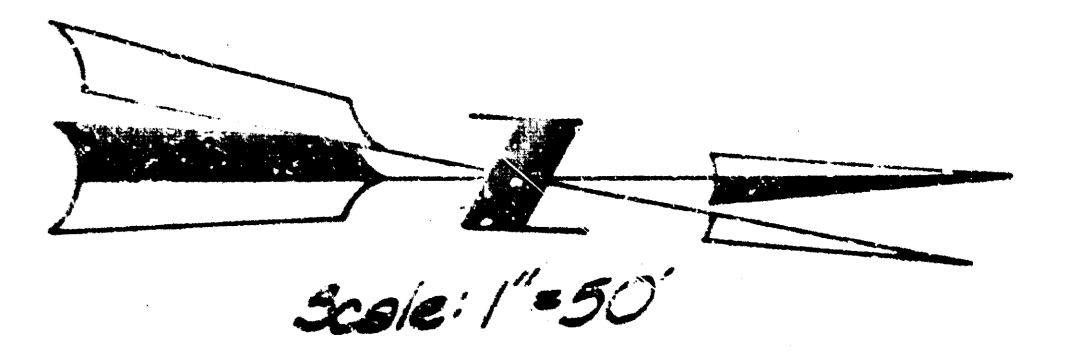
Construct Entrance Drive, See Sheet No. 3

Sta. 11+52.05 Road 'A'
Sta. 12+12.75 Road 'B' (tang.)

Location of Proposed Inlet
Sta. 10+00 @ Road 'A'
Coord. Pts 776.00N & 950.00E

Coord. Pts 00.00N & 000.00E

BM - Day of Month and disc. Sta. 2 N & 38 N at intersection of Central Ave. & El. 143.903

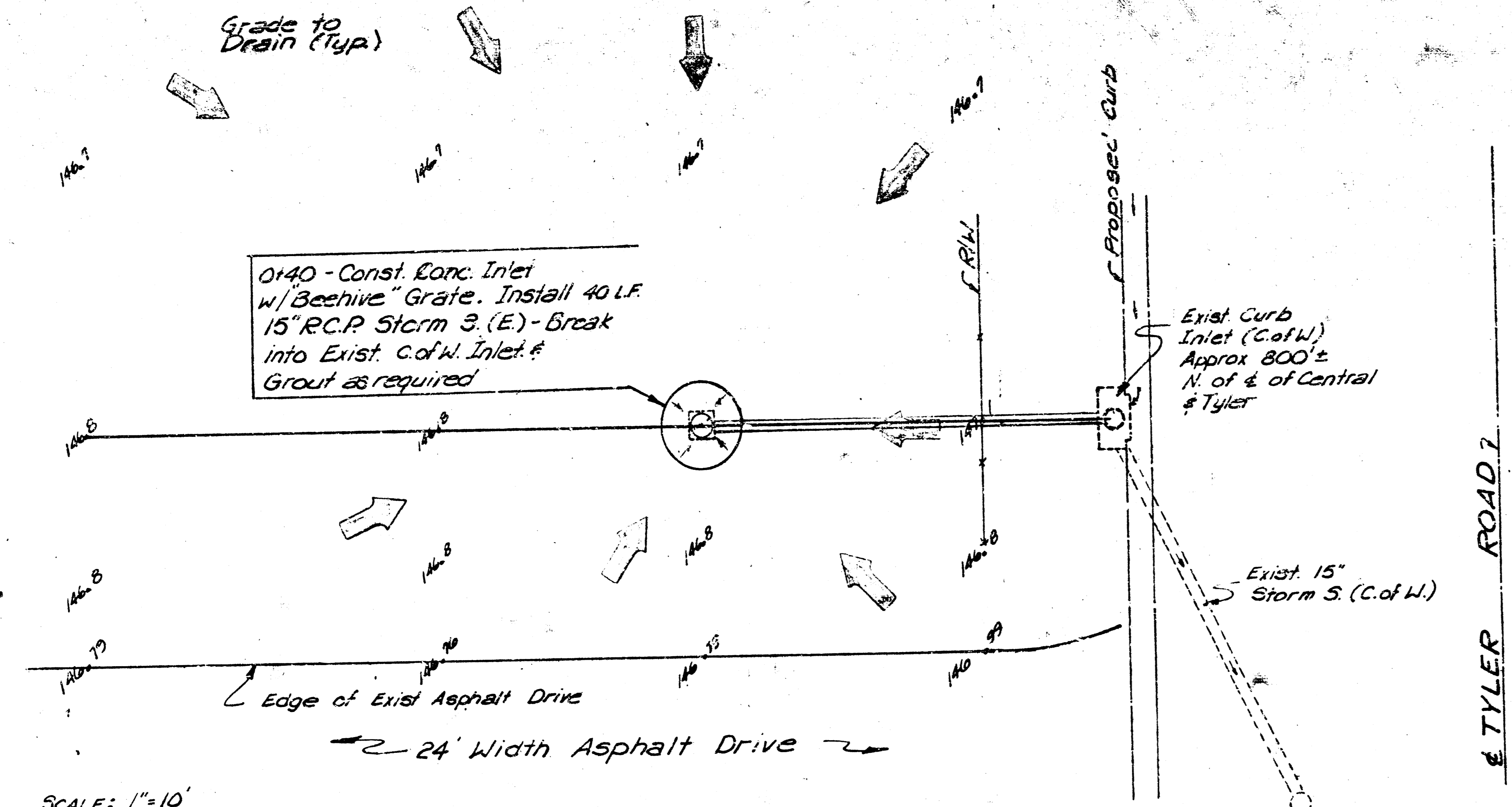
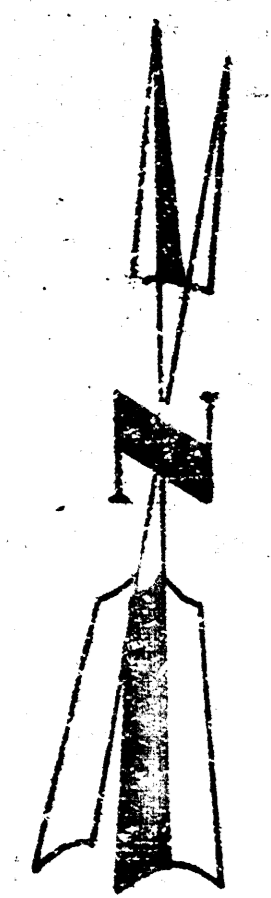


Storm Sewer 4-17

**4-H CLUB PROPERTY
ENTRANCE PLAN & CHANNEL PLAN**

PREPARED BY
SEDGWICK COUNTY ENGINEERING DEPT.
COUNTY ENGINEER

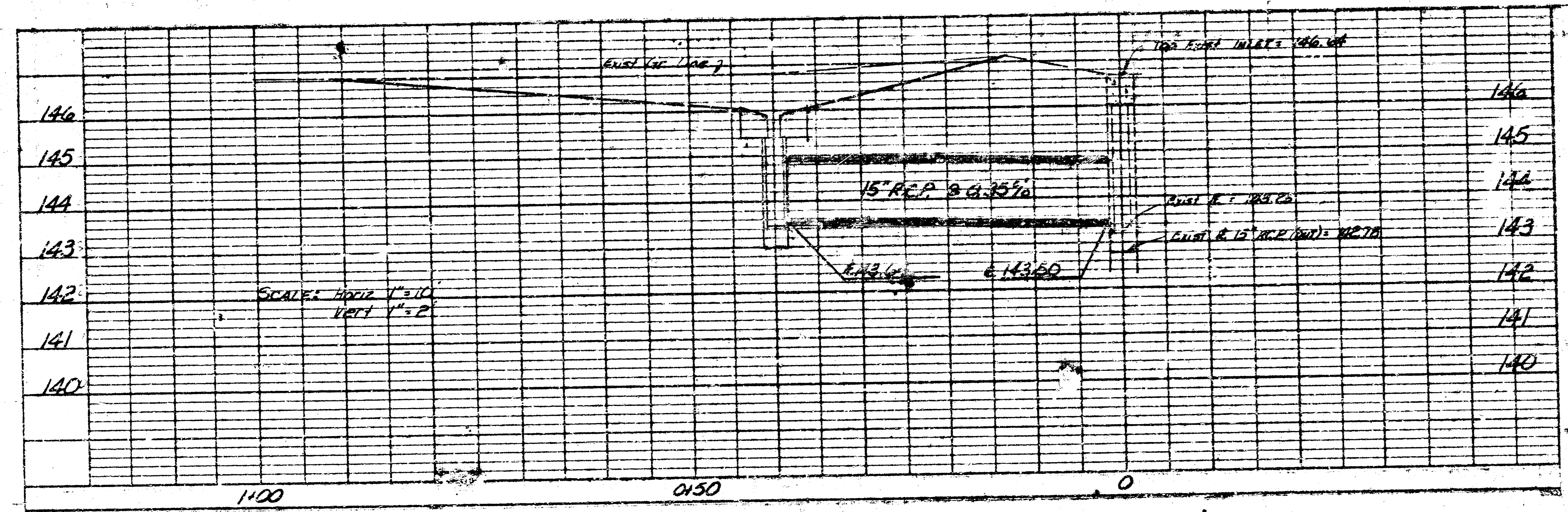
REVISED	SCALE	DESIGNED	TRACED	CHECKED	SHE
	1"=50'	GT.	GT.	PD.	
	DATE				
PLANFILE			TOTAL SHEETS		



SCALE: 1" = 10'

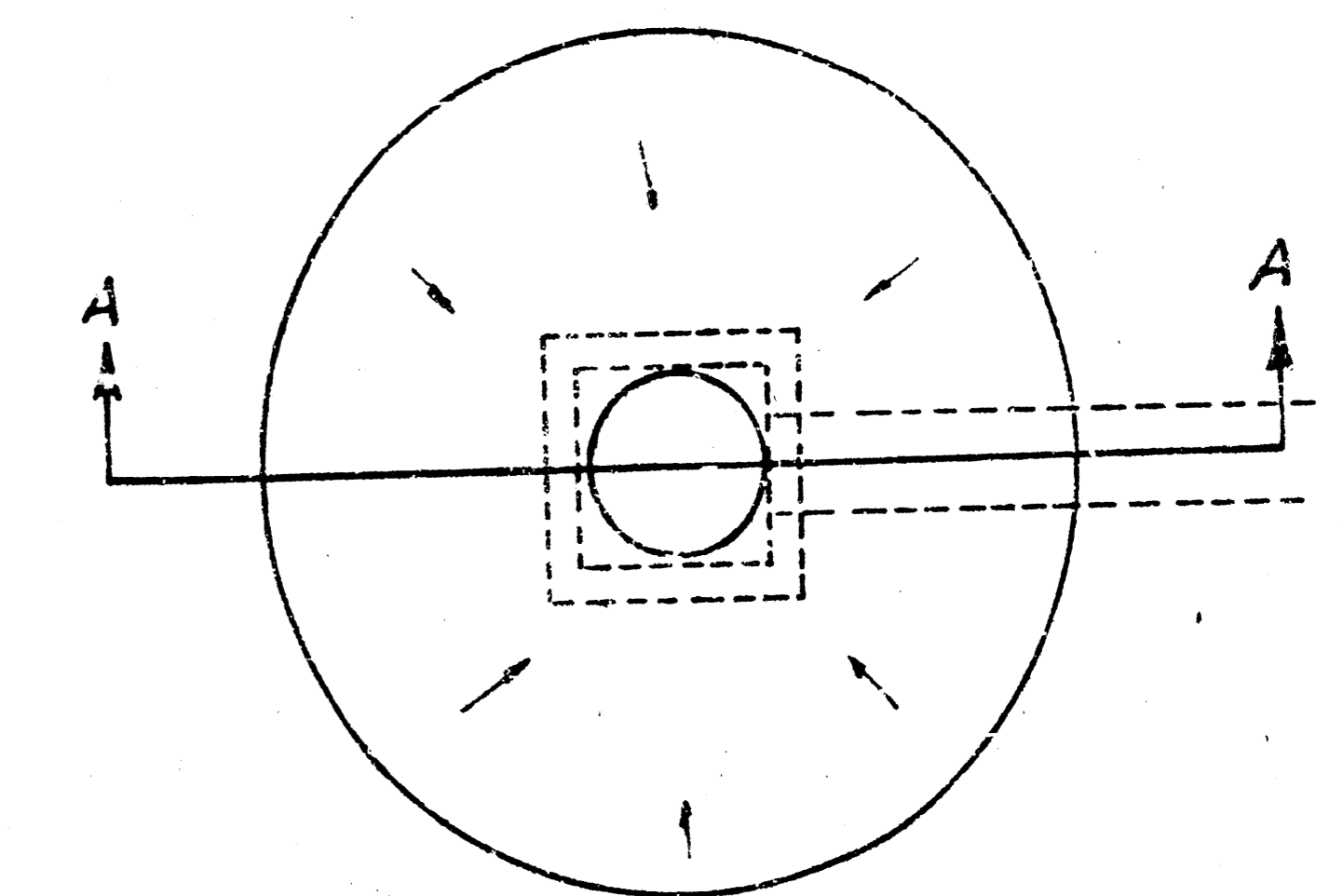
PLAN

B.M. - City of Wichita Std. Disc
 56.2' N. & 38' W. of & Central Ave
 & Tyler Road - Elev. = 143.903
 (City Datum)

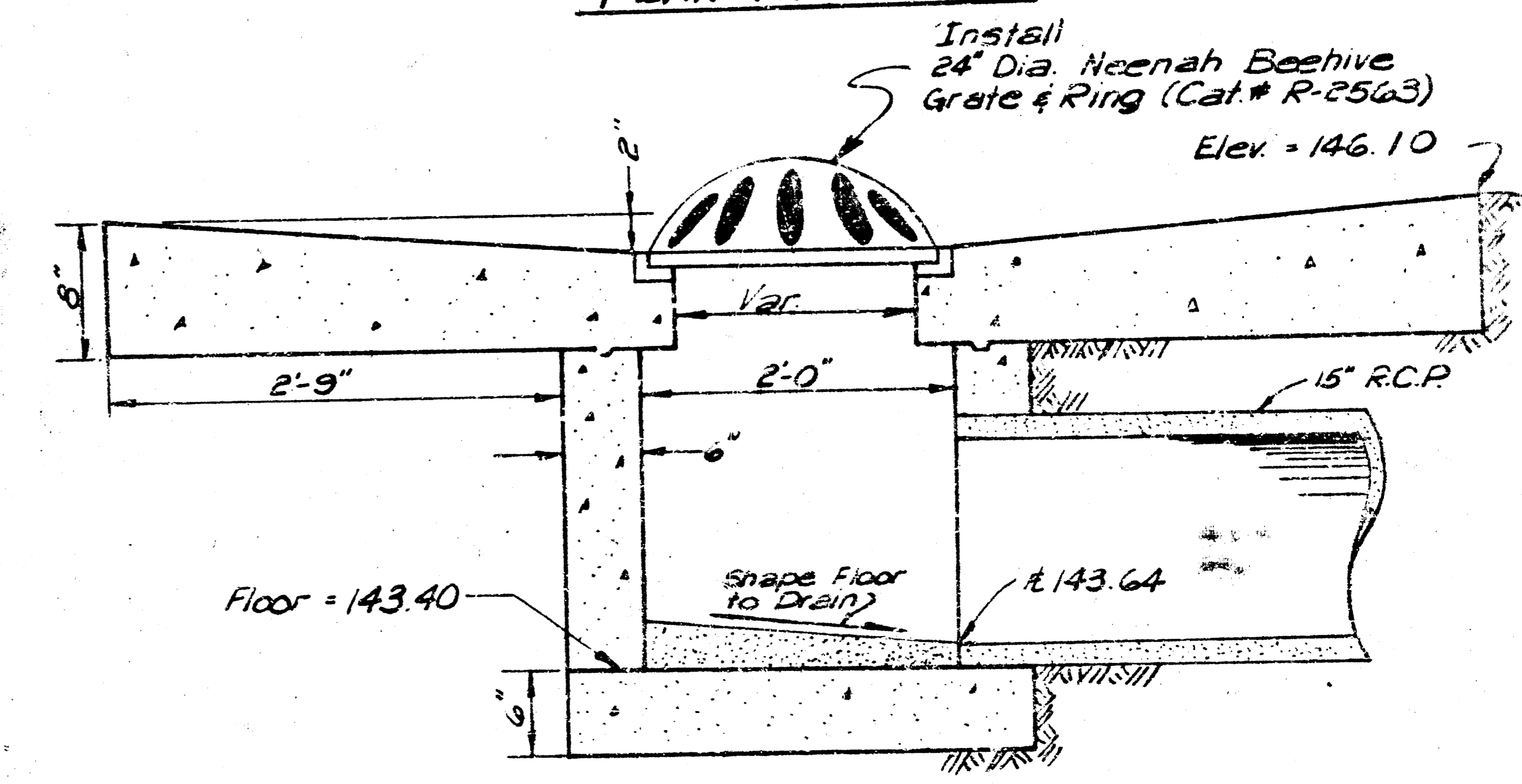


SCALE: 1" = 10'
 VERT 1" = 2'

PROFILE



PLAN VIEW: INLET



SECTION A-A

SCHEDULE OF QUANTITIES		
ITEM	UNIT	AMOUNT
15" R.C.P.	Lin. Ft.	40.0
Class A Concrete	Cu. Yds.	0.8
24" Dia. Grate & Ring	Ea.	1

PROPOSED INLET
 4-H CLUB PROPERTY - CENTRAL & TYLER ROAD

PREPARED BY
SEDGWICK COUNTY DEPARTMENT OF PUBLIC WORKS
 HIGHWAY DIVISION

REVISED	SCALE	DESIGNED	TRACED	CHECKED	SHEET NO.
	As Shown	P.D.	P.D.	D.D.	1 OF 1
	DATE	4/27/76	4/27/76		
	PLANFILE	TOTAL SHEETS			