

Total Area = 48,168  
 Paved Area = 7,151 S.F.  
 Impervious Area = 41,017 S.F.

- BENCHMARKS:
- "O" CUT ON THE N.W. COR. OF SWB PAD AT THE N.E. COR. OF MELLOR AND WEBB. ELEV. = 177.67
  - C.O.W. DISK AT THE S.W. COR. RCBC 200± NORTH OF CENTRAL ON WEBB ELEV. = 174.73

SCALE 1" = 20'  
 IRON = ●

LEGAL DESCRIPTION:  
 THE NORTH 144 FEET OF THE WEST  
 334.50 FEET OF LOT 1, BLOCK 1,  
 KUHLMAN ADDITION, WICHITA, SEDGWICK  
 COUNTY, KANSAS.

**COLLISION SPECIALISTS  
 SITE GRADING PLAN**  
 PART OF LOT 1, BLK. 1, KUHLMAN ADD., WICHITA, KS.

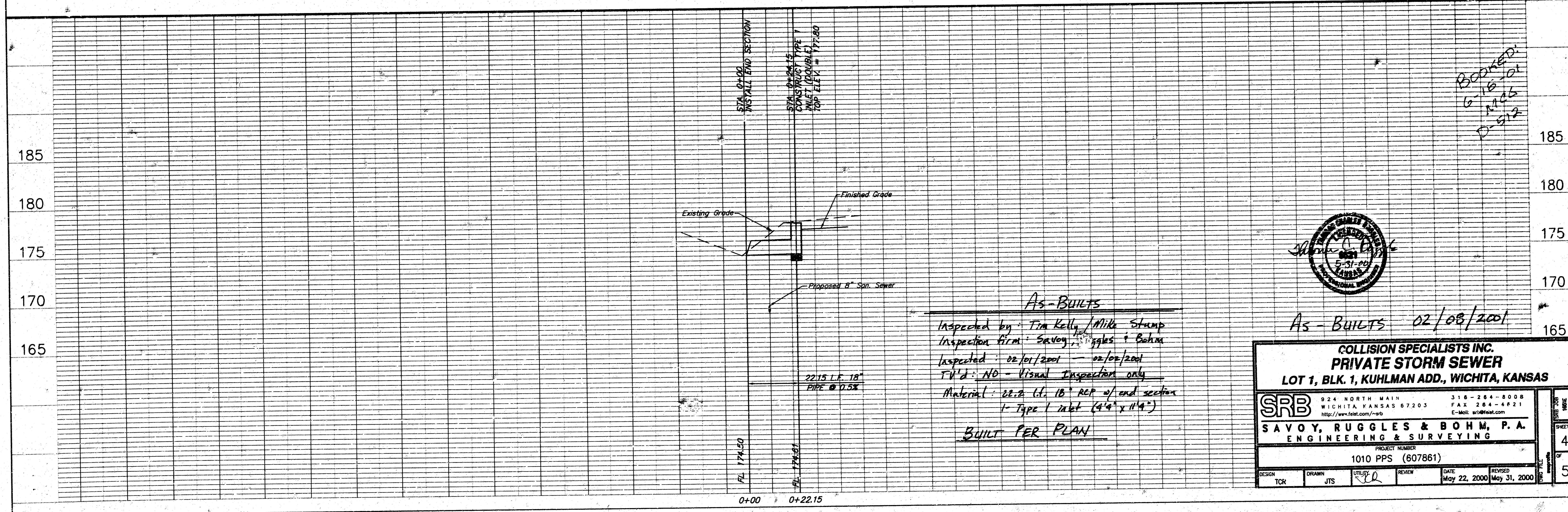
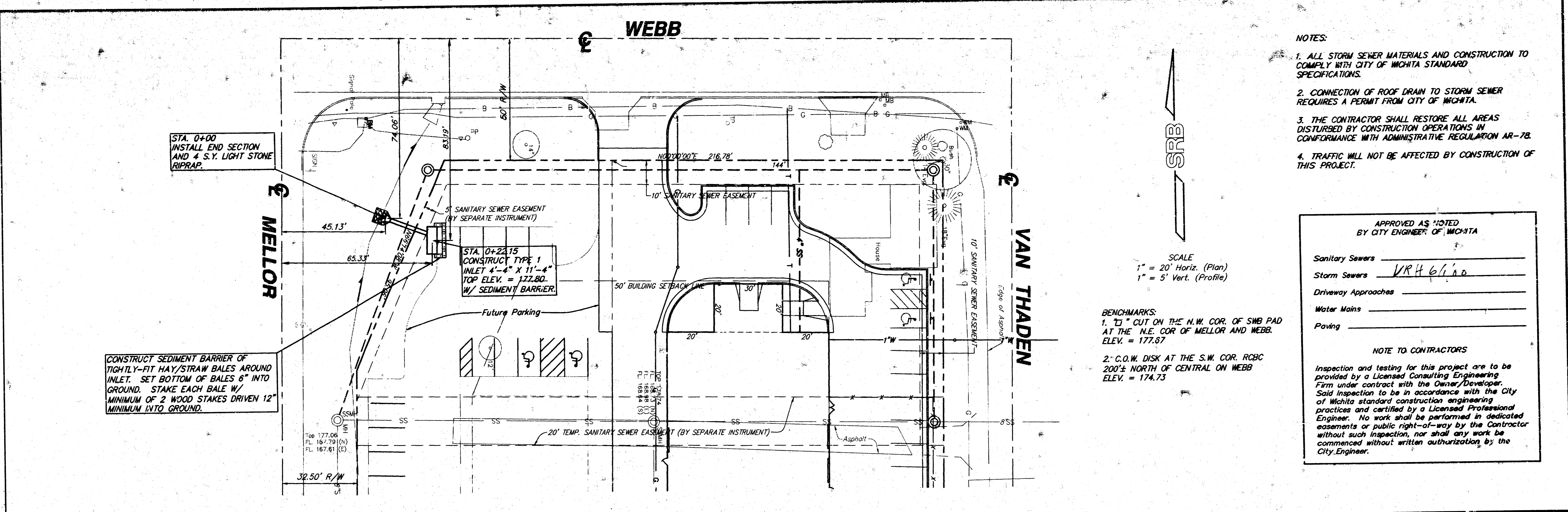
**SRB** 824 NORTH MAIN 315-261-8008  
 WICHITA, KANSAS 67203 FAX 264-4621  
 http://www.srb1.com E-mail: srb@srb1.com

**SAVOY, RUGGLES & BOHM, P.A.**  
 ENGINEERING & SURVEYING

PROJECT NUMBER  
 1010 PPS (607861)

DESIGN	TCR	DRAWN	JTS	UTILITY	REVIEW	DATE	MAY 23, 2000	REVISED	
--------	-----	-------	-----	---------	--------	------	--------------	---------	--

18 03 03 00



AS-BUILTS 02/08/2001

**COLLISION SPECIALISTS INC.**  
**PRIVATE STORM SEWER**  
 LOT 1, BLK. 1, KUHLMAN ADD., WICHITA, KANSAS

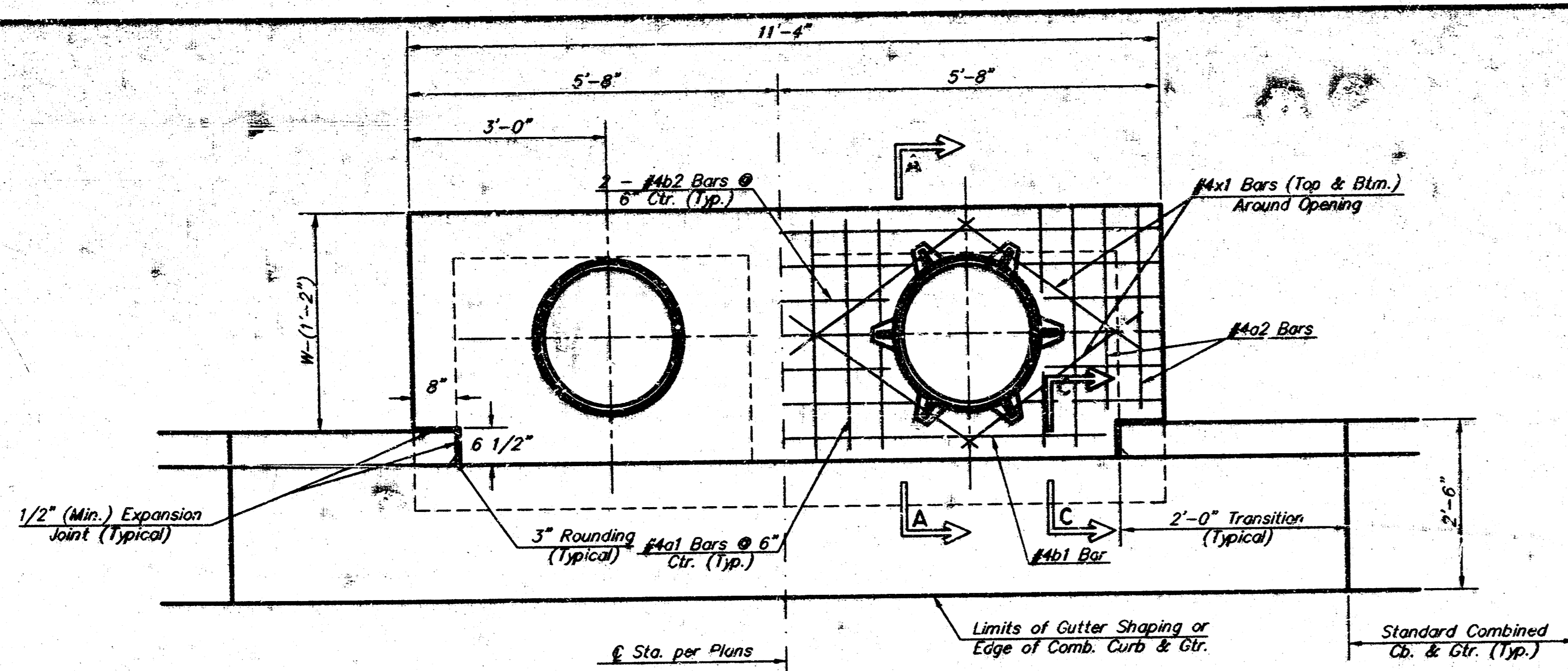
**SRB** 924 NORTH MAIN 318-284-8008  
 WICHITA KANSAS 67203 FAX 284-4821  
 http://www.fest.com/~srb E-Mail: sr@fest.com

**SAVOY, RUGGLES & BOHM, P.A.**  
 ENGINEERING & SURVEYING

PROJECT NUMBER  
 1010 PPS (607861)

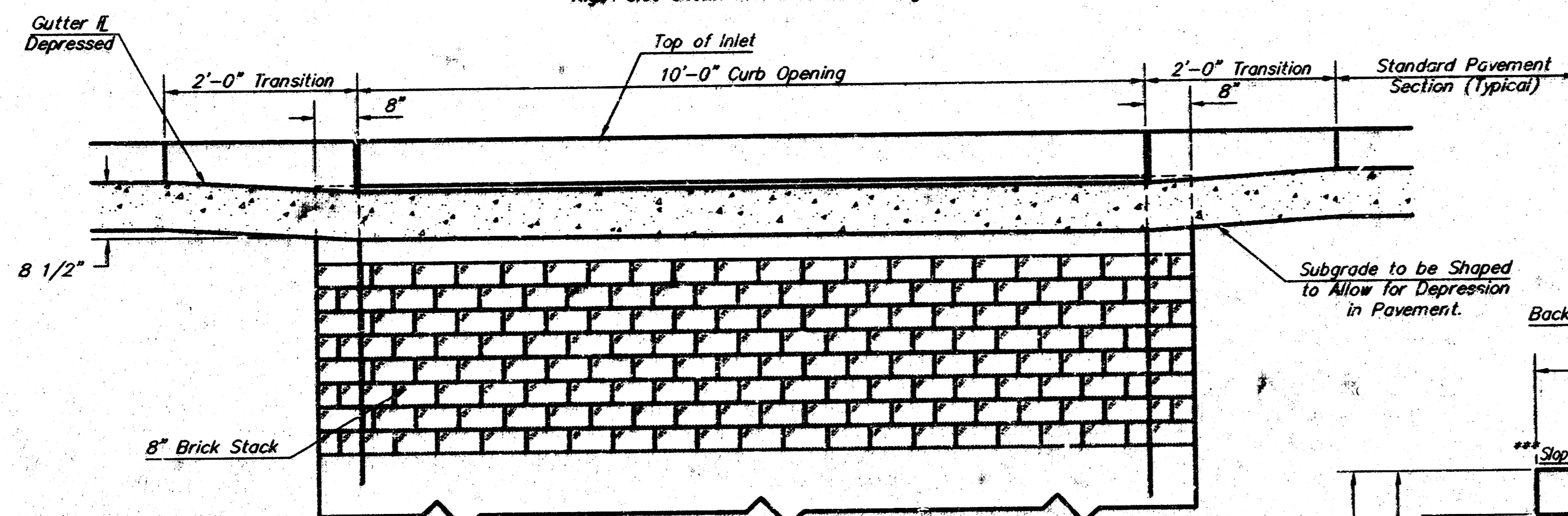
DESIGN	DRAWN	UTILITY	REVIEW	DATE	REVISED
TCR	JTS	RL		May 22, 2000	May 31, 2000

SHEET 4 OF 5

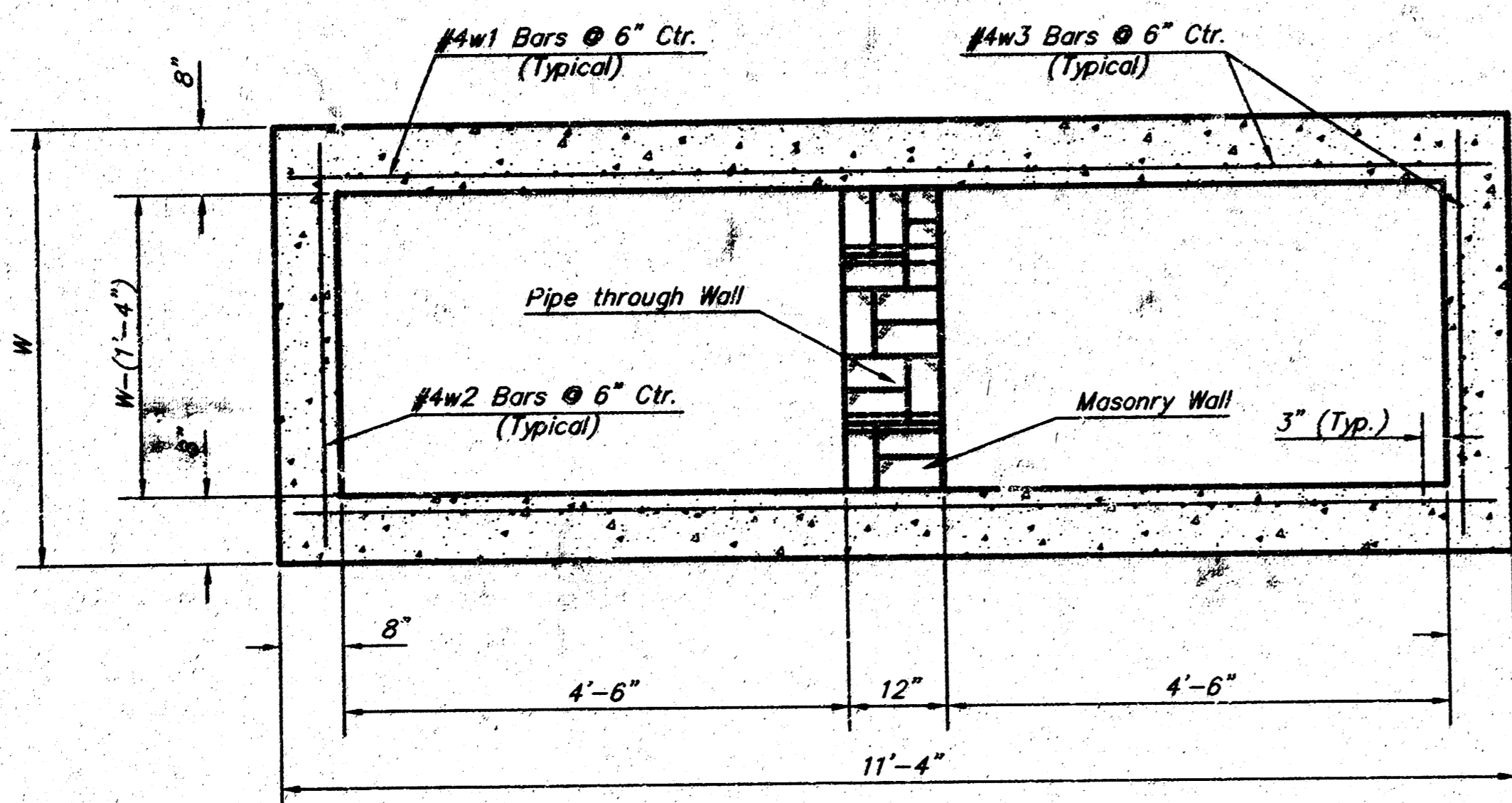


**PLAN**

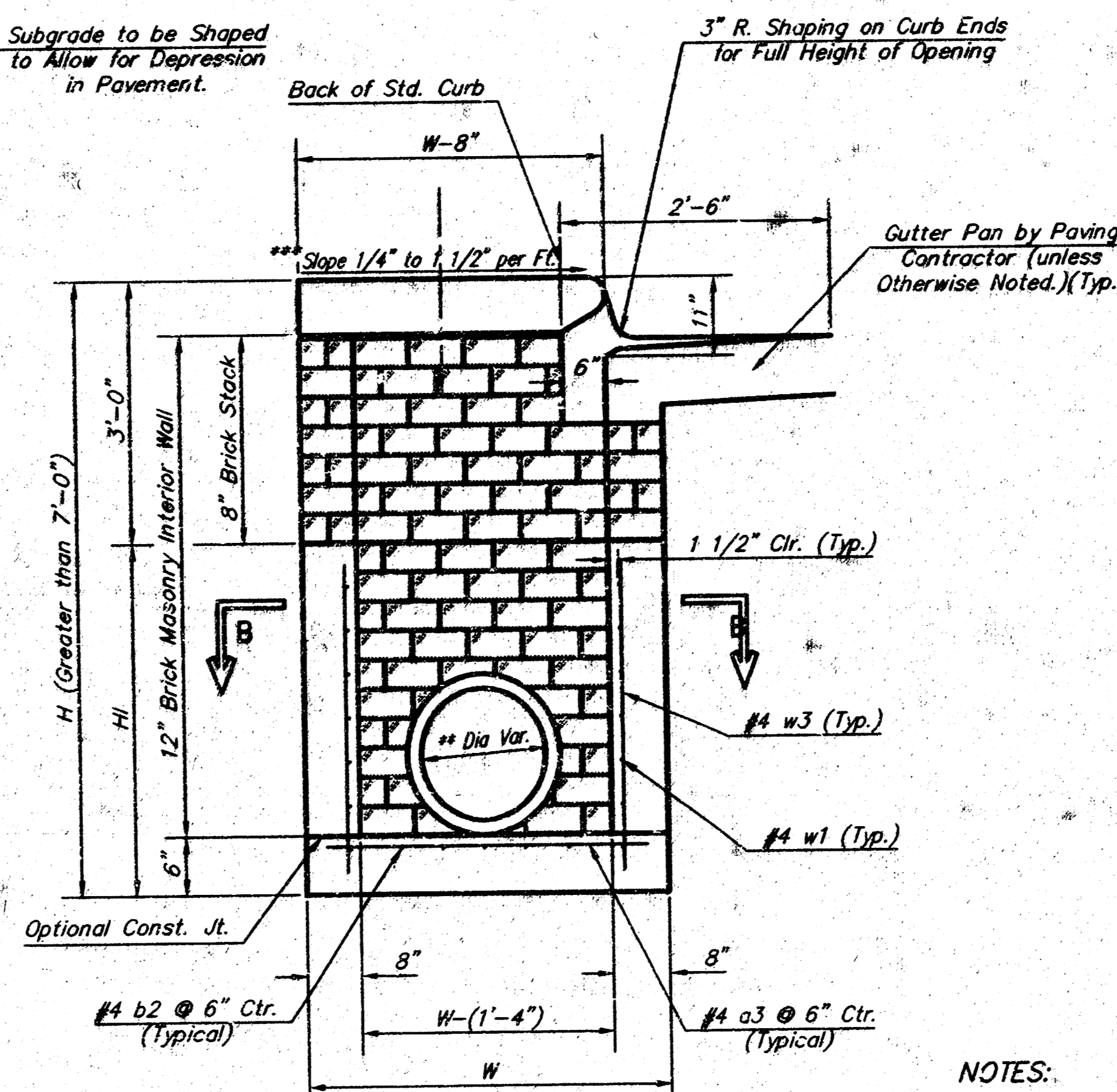
\*Left Side Shown Without Slab Reinforcing, Right Side Shown With Slab Reinforcing



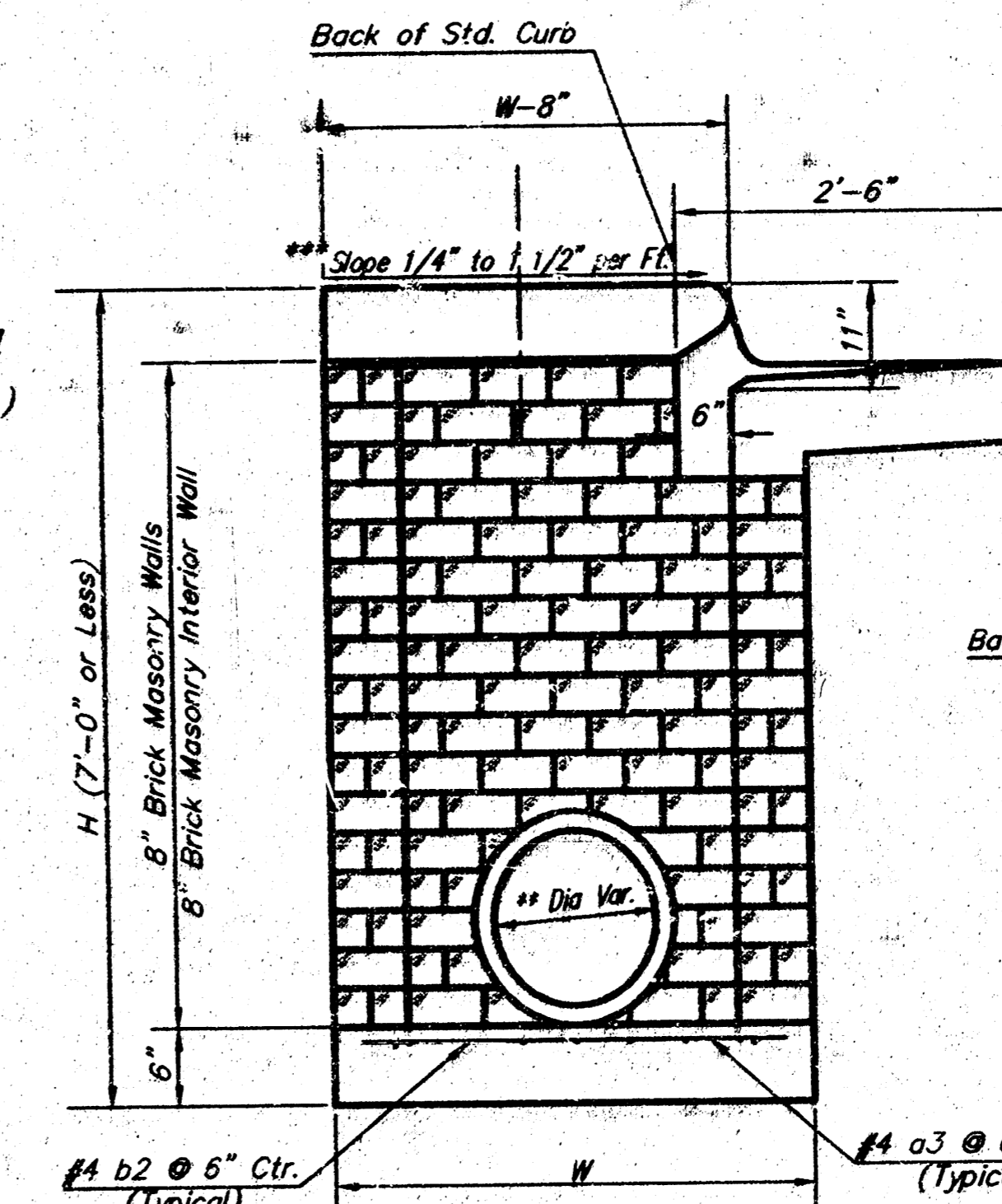
**ELEVATION**



**SECTION B-B**



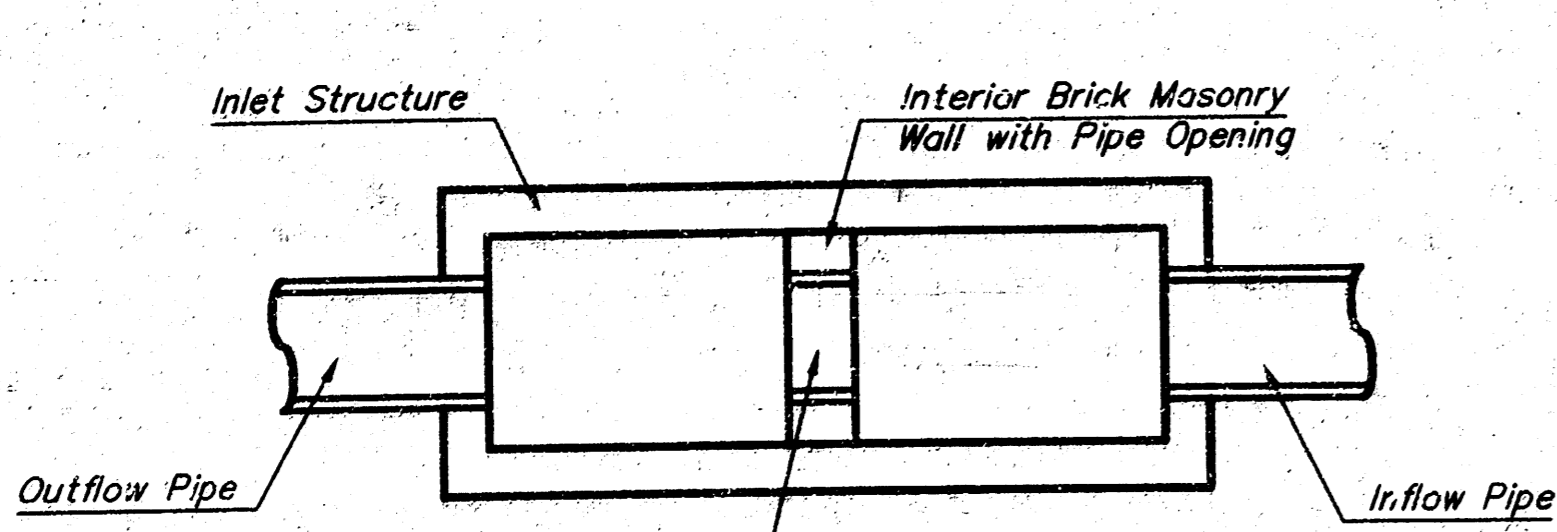
**TYPICAL INLET SECTION AT CENTER WALL (REINFORCED CONCRETE WALLS)**



**TYPICAL INLET SECTION AT CENTER WALL (MASONRY WALLS)**

**NOTES:**

- \*\* A center wall opening shall be provided by means of a section of reinforced concrete pipe. See Case I and Case II below.
- \*\*\* Slope of inlet tops to match sidewalk of parking slopes within limits indicated

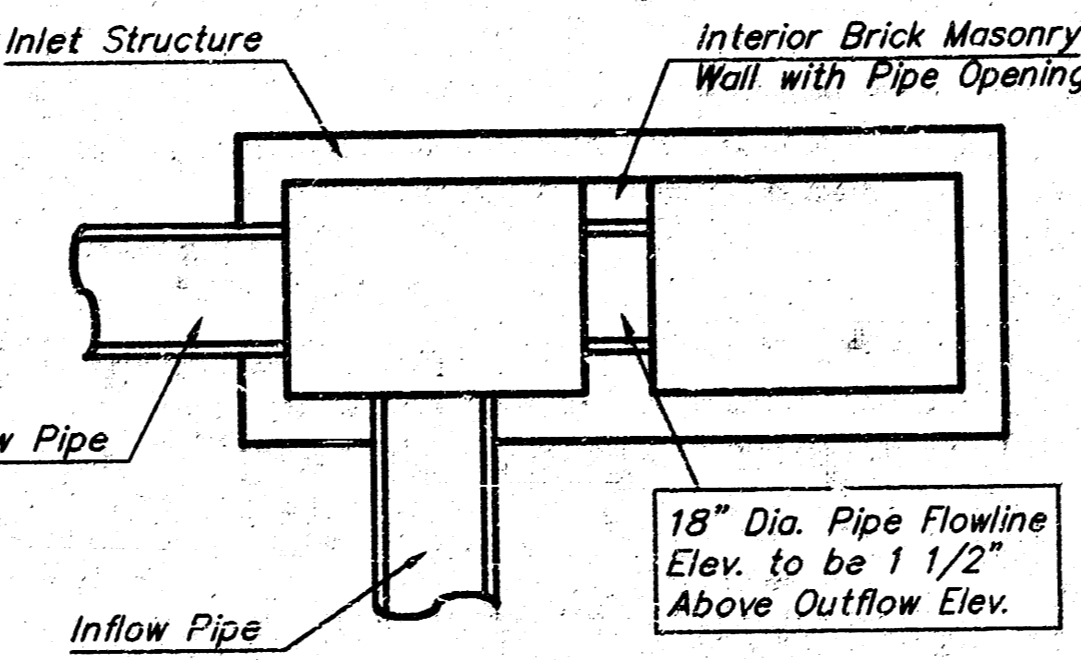


**CASE I**

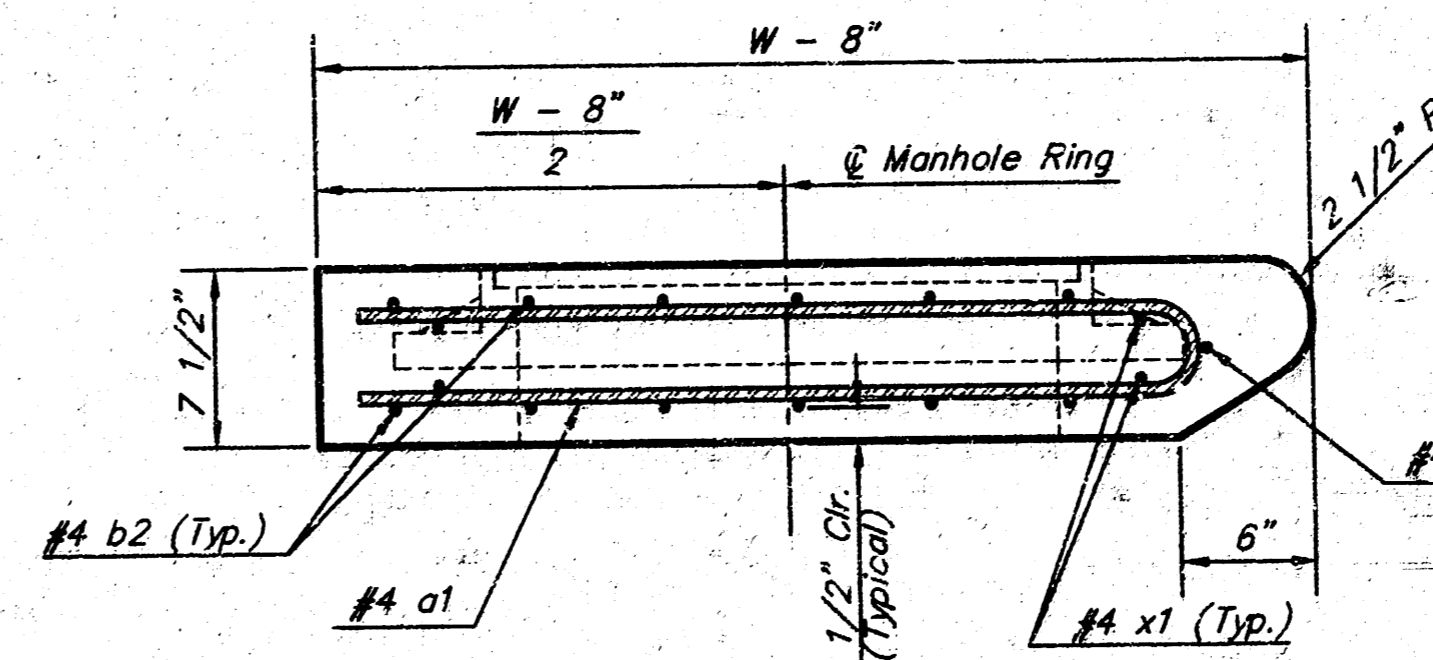
Pipe Size to be the Same as Outlet Pipe Size. Flowline Elev. to be Average of Lowest Inflow Pipe Elev. and Outflow Pipe Elev.

**NOTE:**

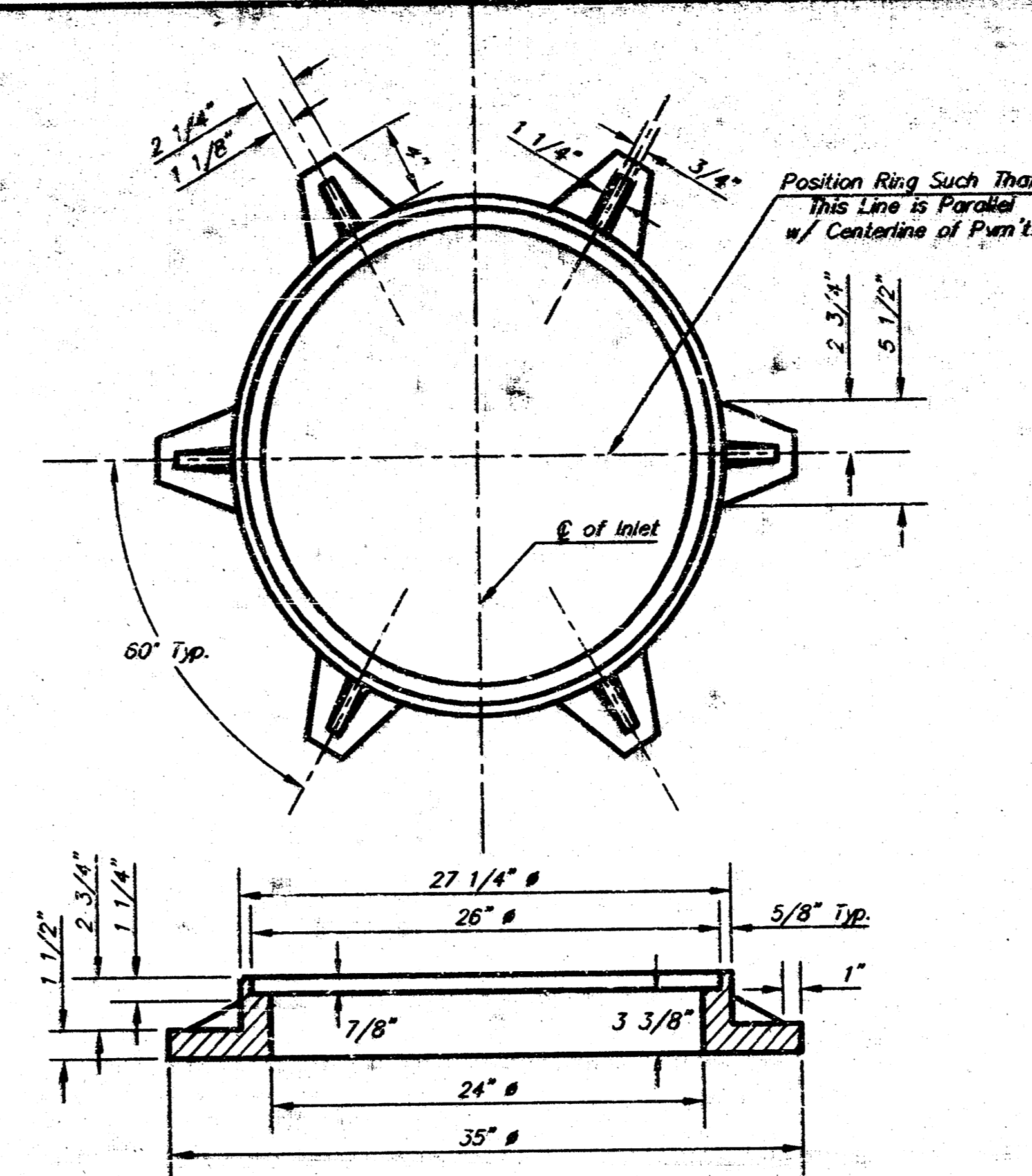
Center Wall Pipe Size shall be as Specified in Inlet Construction Notes on the Plan/Profile Sheets for those Cases not Shown Here.



**CASE II**



**SECTION A-A**



**MANHOLE RING AND COVER**

\*See City of Wichita Standard Manhole Ring and Cover Detail Sheet for Cover Details to Be Used With Inlet Frame.

**PRECAST SLAB AND FLOOR REINFORCING**

MARK	SIZE	W = 4'-0"		W = 5'-0"		W = 6'-0"		W = 7'-0"		W = 8'-0"	
		NO.	LENGTH	NO.	LENGTH	NO.	LENGTH	NO.	LENGTH	NO.	LENGTH
a1	#4	13	6'-7"	13	8'-7"	13	10'-7"	13	12'-7"	13	14'-7"
a2	#4	4	6'-0"	4	8'-0"	4	10'-0"	4	12'-0"	4	14'-0"
a3	#4	23	4'-1"	23	5'-1"	23	6'-1"	23	7'-1"	23	8'-1"
b1	#4	1	9'-9"	1	9'-9"	1	9'-9"	1	9'-9"	1	9'-9"
b2	#4	23	11'-1"	23	11'-1"	23	11'-1"	23	11'-1"	23	11'-1"
c1	#4	16	3'-10"	16	4'-2"	16	4'-6"	16	4'-10"	16	5'-2"

**WALL REINFORCING**

MARK	SIZE	W = 4'-0"		W = 5'-0"		W = 6'-0"		W = 7'-0"		W = 8'-0"	
		NO.	LENGTH	NO.	LENGTH	NO.	LENGTH	NO.	LENGTH	NO.	LENGTH
w1	#4	1	11'-1"	1	11'-1"	1	11'-1"	1	11'-1"	1	11'-1"
w2	#4	1	4'-1"	1	5'-1"	1	6'-1"	1	7'-1"	1	8'-1"
w3	#4	52	2'-0"	52	2'-0"	52	2'-0"	52	2'-0"	52	2'-0"

\* Field Bend or Cut Reinforcing as Required for Clearance.  
 ① 4 (H - 12) (H - 21) Rounded down to nearest 0.5'  
 ② H - 3'

**STANDARD CURB INLET PRECAST TOPS**

W	PRE-CAST TOP SIZE	PIPE SIZE	CU. YD. CONC.
4'-4"	3'-8" x 11'-4" x 7 1/2"	21" & SMALLER	0.834
5'-4"	4'-8" x 11'-4" x 7 1/2"	24" & 30"	1.098
6'-4"	5'-8" x 11'-4" x 7 1/2"	36" & 42"	1.354
7'-4"	6'-8" x 11'-4" x 7 1/2"	48" & 54"	1.614
8'-4"	7'-8" x 11'-4" x 7 1/2"	60" & 66"	1.874

**BENDING DIAGRAM**

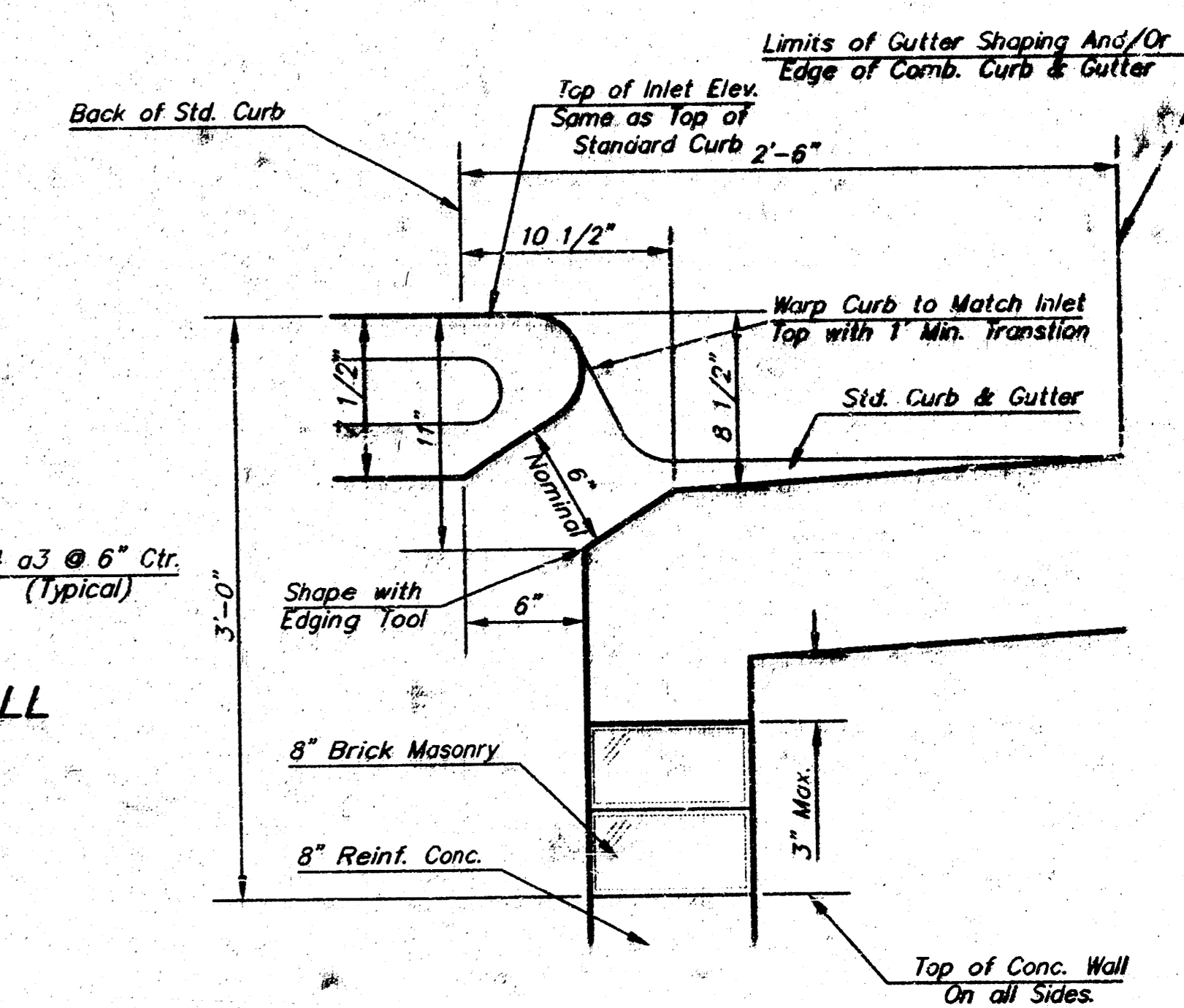
**GENERAL NOTES:**

Concrete shall be C.O.M. standard paving mix. All exposed edges shall be finished with an edging tool. Reinforcing bars shall be field bent or cut to fit pipes and inlet rings. All bars are #4 bars @ 6" spacing and shall have a minimum clearance of 1 1/2" unless otherwise noted. Floors of inlet shall be shaped with 8 sack sand mix concrete to increase hydraulic efficiency such that the inlet will be self cleaning between all inlet and/or outlet pipe(s). The contractor will be required to construct 8" brick masonry walls between the inlet base and top on this inlet when H=7'-0" or less and W=6'-4" or less. When W is greater than 6'-4" and H is less than 7'-0", the outside inlet walls below the brick stack shall be reinforced concrete construction.

Concrete tops to be installed on thin mortar cushion to insure full support along brick walls. Concrete tops may be cast in place or precast.

The ends of all pipes installed in inlets shall be cut off flush with the inside face of the inlet curb.

This detail is identical to the standard detail drawing except that the gutter transition length is increased from 2'-0" to 3'-6".



**SECTION C-C**

**THE CITY OF WICHITA**

**STANDARD TYPE 1 CURB INLET OPENING = 6"x10'-0"**

M. E. LINDEBAK P.E. - CITY ENGINEER

CITY ENGINEER'S OFFICE  
CITY HALL - SEVENTH FLOOR  
433 NORTH MAIN STREET  
WICHITA, KANSAS 67202  
(316) 268-4041 FAX (316) 268-4114

PROJECT NUMBER: 1010 PPS  
SHEET: 5 OF 5  
DATE: MAR 96