

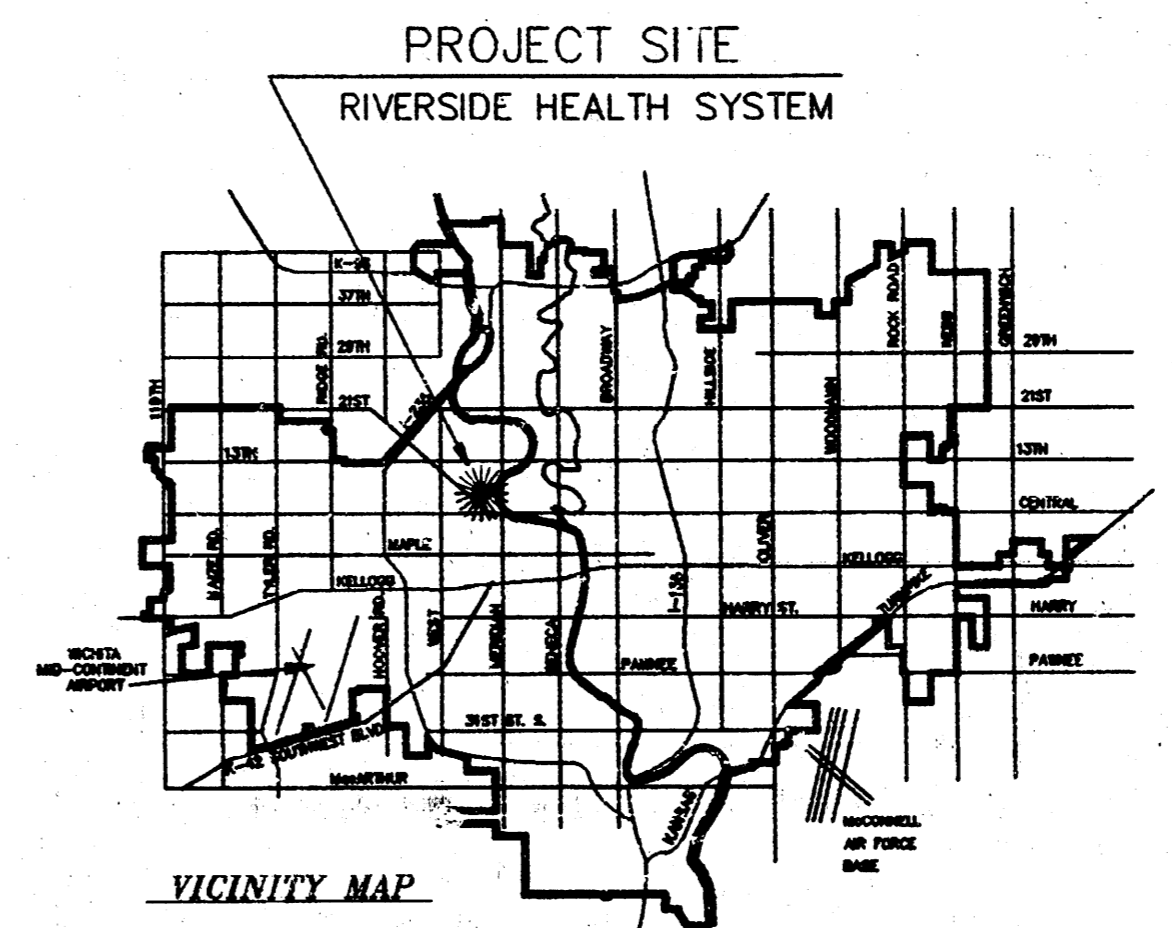
REPLACE FRAME & COVER AND ADJUST MH TOP TO 114.37 EXISTING TOP ELEV. 115.35

STA. 0+00 CONNECT TO EXISTING CURB INLET. TOP ELEV 114.47

GENERAL NOTES

1. All work on this project shall be done in accordance with City of Wichita Standard Specifications for Construction of Sanitary Sewer and Storm Sewers, and the City of Wichita "Procedure for Construction of Public Works Improvements by Private Contract."
2. Contractor shall provide notice to utility companies a minimum of 48 hours prior to any excavation, through Kansas One-Call, 687-2470.
3. All areas within street right of way which are disturbed by Contractor's operations shall be restored in accordance with City of Wichita Administrative Regulations AR-78.
4. Manhole frames and covers removed shall be returned by the Contractor to the Sewer Maintenance Dept. of the City of Wichita.

1" = 20' PLAN  
1" = 5' PROFILE



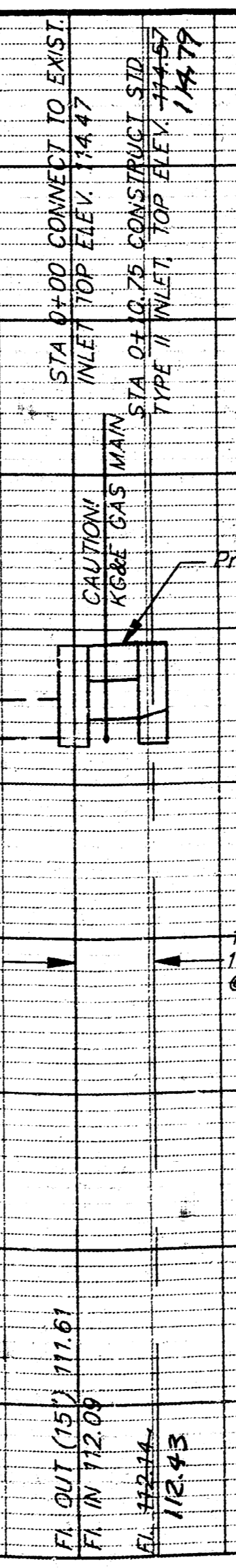
APPROVED AS NOTED BY CITY ENGINEER OF WICHITA

Sanitary Sewers VRH 4/21/95  
Storm Sewers VRH 4/21/95  
Driveway Approaches \_\_\_\_\_  
Water Mains \_\_\_\_\_  
Paving \_\_\_\_\_

NOTE TO CONTRACTORS  
Inspection and testing for this project are to be provided by a Licensed Consulting Engineering Firm under contract with the Owner/Developer. Self inspection to be in accordance with the City of Wichita standard construction engineering practices and certified by a Licensed Professional Engineer. No work shall be performed in dedicated easements or public right-of-way by the Contractor without such inspection, nor shall any work be commenced without written authorization by the City Engineer.

**Power Plant Addition & Site Improvements  
Riverside Health Systems  
WICHITA, KANSAS**

120	<p><b>DRAINAGE CALCULATIONS</b></p> <p>Runoff calculated by Rational Formula: <math>Q=CIA</math> Surface 100% pavement/roof: <math>C_5=0.88</math>; <math>C_{100}=0.93</math> Assume Time of Concentration = 10 minutes</p> <p><math>I_5=4.52</math> in/hr; <math>I_{100}=8.54</math> in/hr <math>Q_5=4.0</math> cfs/acre; <math>Q_{100}=7.9</math> cfs/acre</p> <p>Area A (drains through driveway to street) D.A. = 0.75 ac; <math>Q_5=3.0</math> cfs; <math>Q_{100}=6.0</math> cfs</p> <p>Area B (drains to Storm Sewer) D.A. = 1.27 ac; <math>Q_5=5.1</math> cfs; <math>Q_{100}=10.03</math> cfs</p>	120
115		115
110		110



SWS BOOKED 12-20-95 B. BOY MCA

Revised Sept. 20, 1995 From As Bldg.

**PRIVATE STORM SEWER EXTENSION AND SANITARY SEWER ABANDONMENT**

**SRB** 934 NORTH MAIN WICHITA, KANSAS 67203 316-264-8008 FAX 264-4621

**SAVOY, RUGGLES & BOHM, P.A.**  
ENGINEERING & SURVEYING

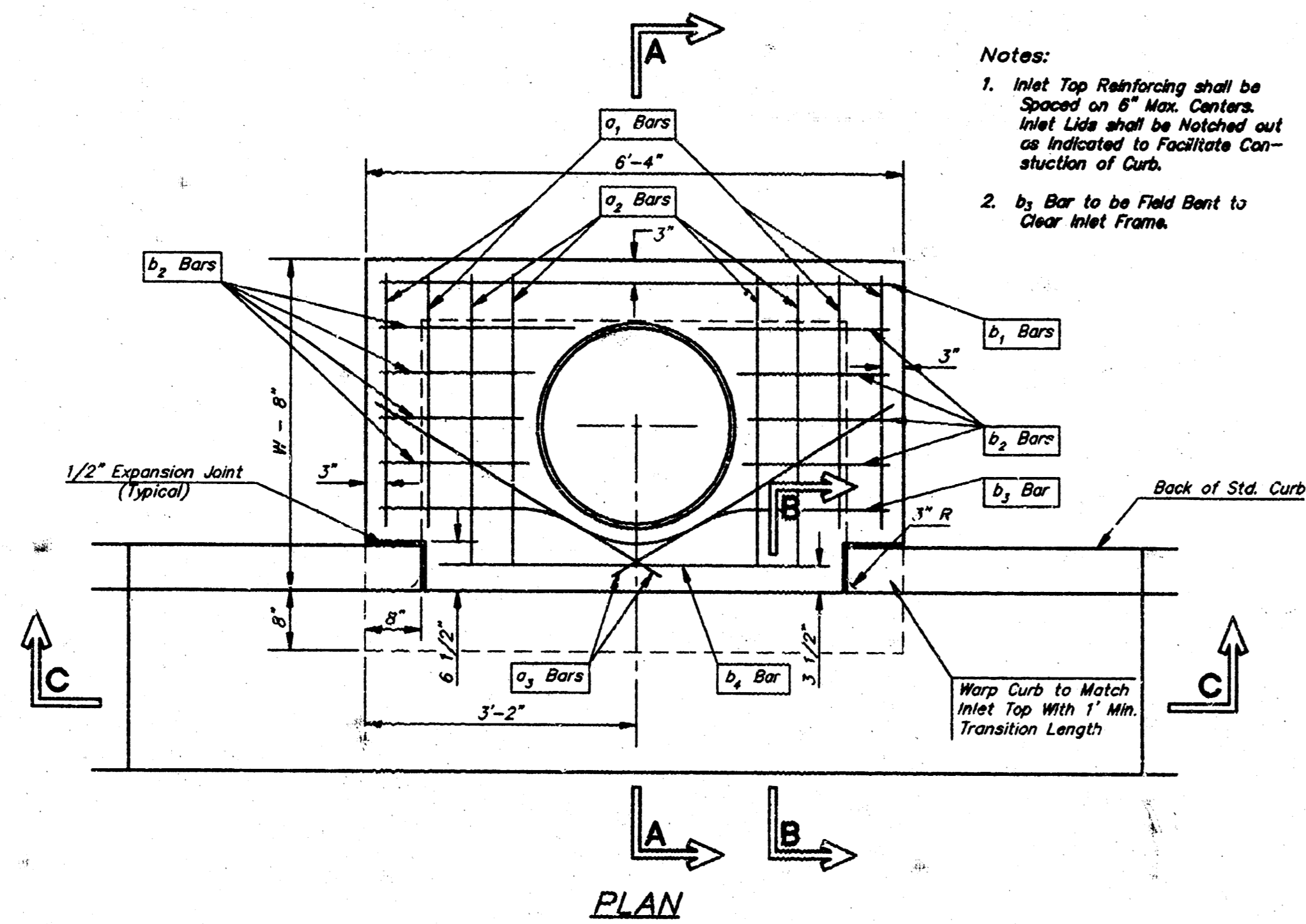
PROJECT NUMBER 554 PPS (607861)

REVISED AS BUILT 11-11-95 *ACR*

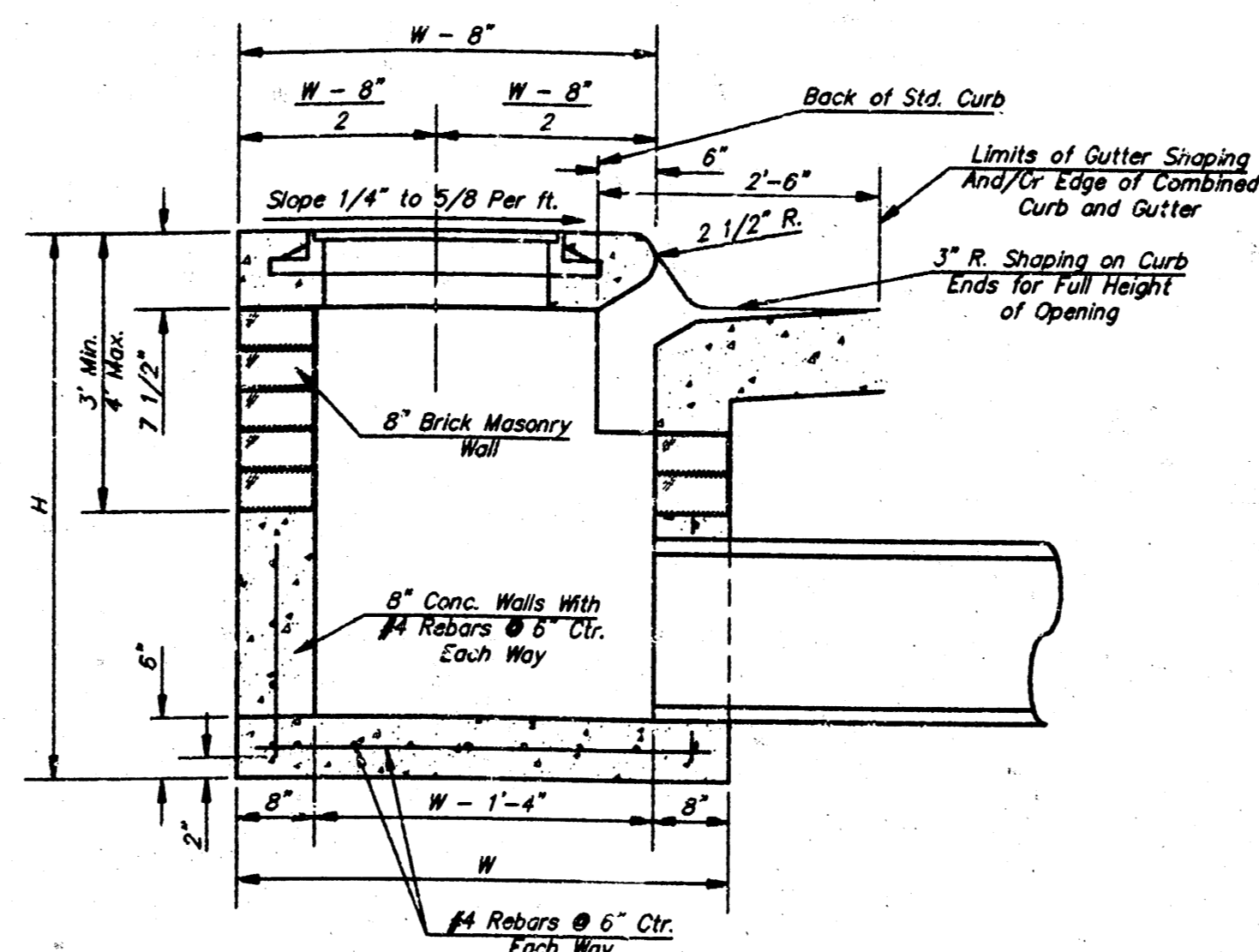
1024 E. 1st Wichita, Kansas 67214

DATE APRIL 20, 1995

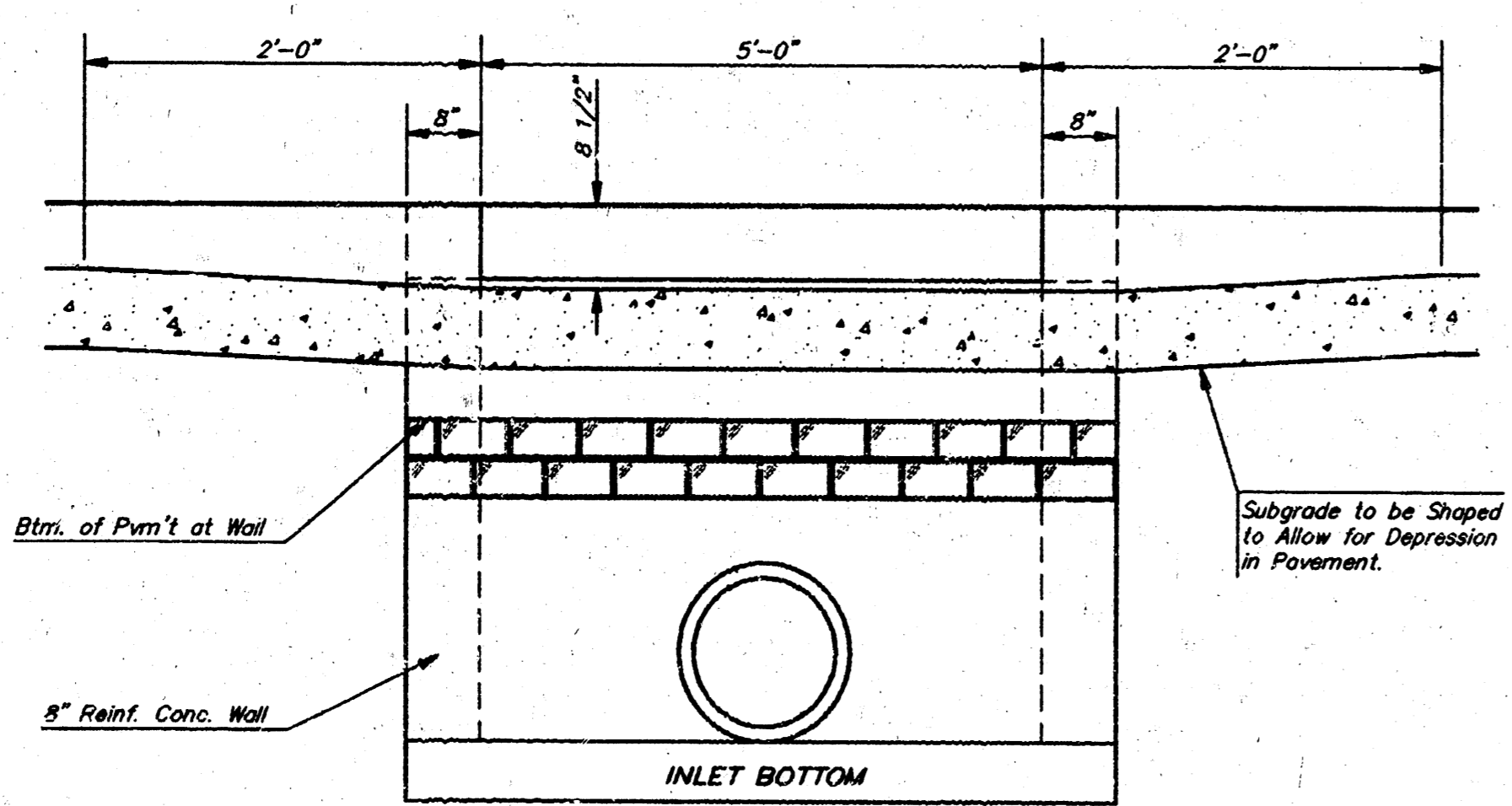
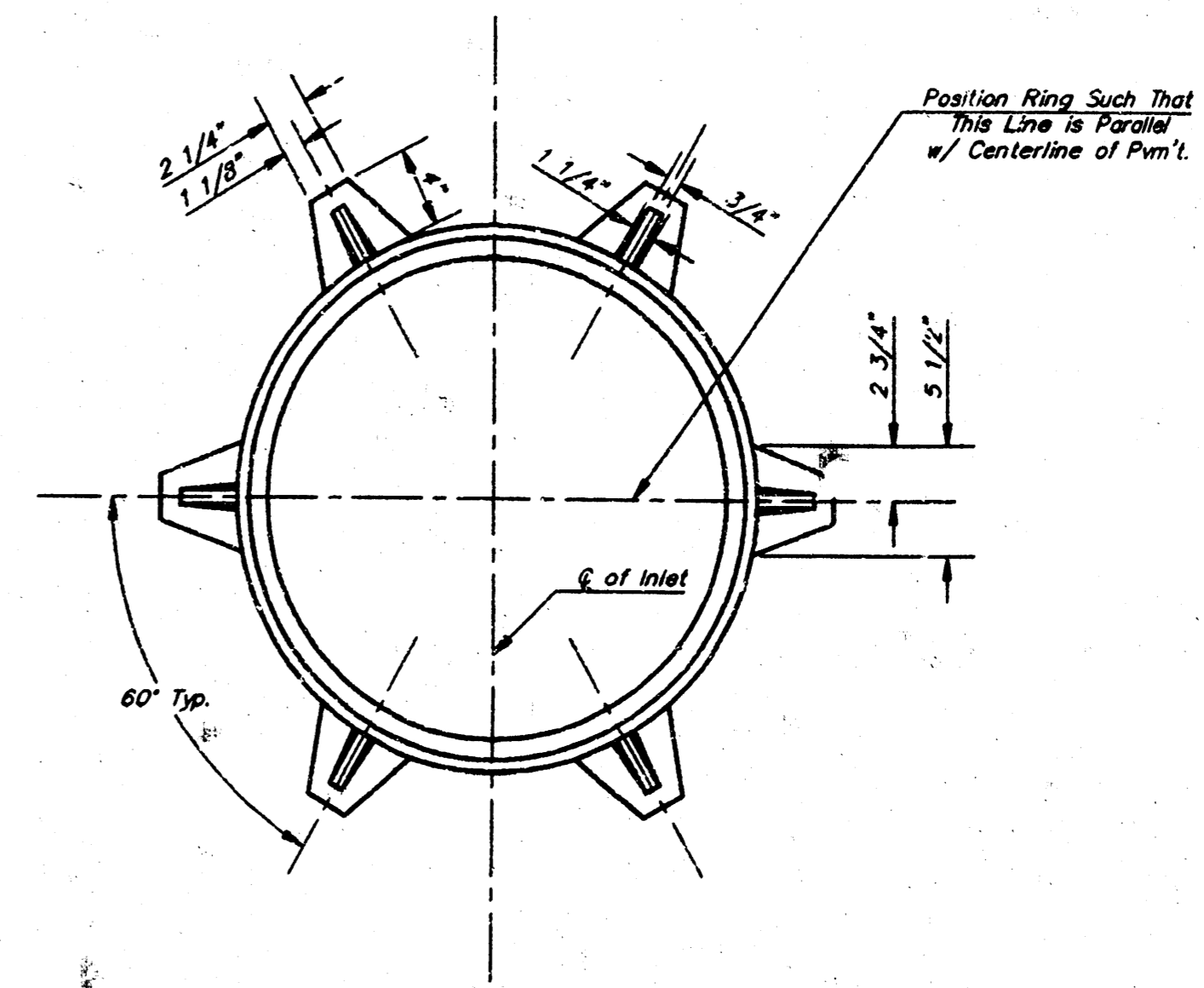
TITLE SWS PROFILE SHEET NO. **SG-3**



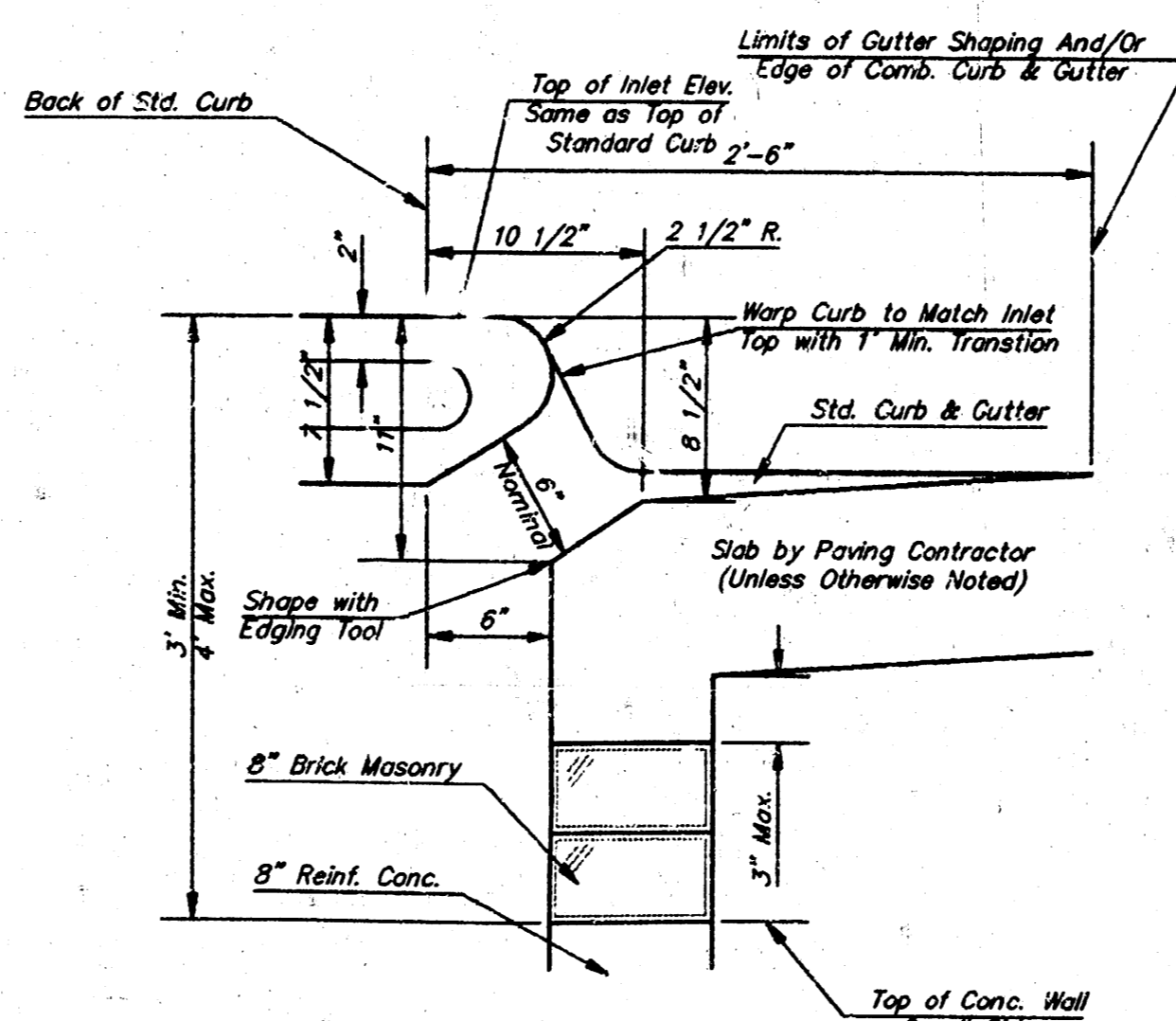
Notes:  
 1. Inlet Top Reinforcing shall be Spaced on 6" Max. Centers. Inlet Lids shall be Notched out as Indicated to Facilitate Construction of Curb.  
 2. b<sub>1</sub> Bar to be Field Bent to Clear Inlet Frame.



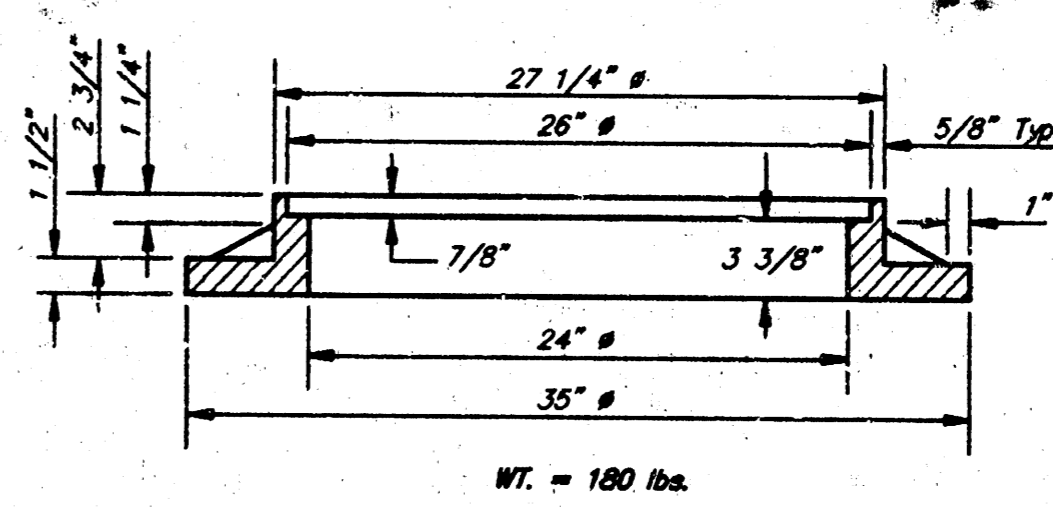
SECTION A-A



SECTION C-C

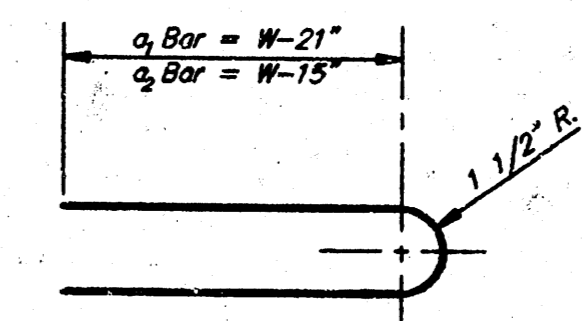


SECTION B-B



MANHOLE RING AND COVER

\*See City of Wichita Standard Manhole Ring and Cover Detail Sheet for Cover Details to Be Used With Inlet Frame.



BENDING DIAGRAM

STEEL SCHEDULE

BAR	a										Wt. Lbs.	
	a <sub>1</sub>	a <sub>2</sub>	a <sub>3</sub>	a <sub>4</sub>	a <sub>5</sub>	a <sub>6</sub>	a <sub>7</sub>	a <sub>8</sub>	a <sub>9</sub>	a <sub>10</sub>		
NUMBER	4	4	2	1	3	5	7	9	6	1	1	
SIZE	#4	#4	#4	#4	#4	#4	#4	#4	#4	#6		
LENGTH	W=4'-4"	5'-7"	8'-7"	4'-0"	6'-1"	-	-	-	1'-9"	6'-2"	4'-8"	60±
	W=5'-4"	7'-7"	8'-7"	5'-0"	6'-1"	-	-	-	1'-9"	6'-2"	4'-8"	81±
	W=6'-4"	9'-7"	10'-7"	6'-0"	6'-1"	-	-	-	1'-9"	6'-2"	4'-8"	101±
	W=7'-4"	11'-7"	12'-7"	7'-0"	6'-1"	-	-	-	1'-9"	6'-2"	4'-8"	121±
	W=8'-4"	13'-7"	14'-7"	8'-0"	6'-1"	-	-	-	1'-9"	6'-2"	4'-8"	141±

Note: a<sub>1</sub> Bars to be Placed Approx. 2" Below Top of Inlet Cover.

STANDARD CURB INLET PRECAST TOPS

#	PRE-CAST TOP SIZE	PIPE SIZE	CU. YD. CONC.
4'-4"	3'-8" 6'-4" 7 1/2"	21" & SMALLER	0.38±
5'-4"	4'-8" 6'-4" 7 1/2"	24" & 30"	0.51±
6'-4"	5'-8" 6'-4" 7 1/2"	36" & 42"	0.64±
7'-4"	6'-8" 6'-4" 7 1/2"	48" & 54"	0.77±
8'-4"	7'-8" 6'-4" 7 1/2"	60" & 66"	0.90±

GENERAL NOTES

- Concrete tops to be installed on thin mortar cushion to insure full support along brick walls. Concrete tops may be cast in place or precast. Concrete used for inlet construction shall be concrete pavement mix.
- Contractor shall have the option of constructing 8" brick masonry walls between the concrete inlet base and top on this inlet when W=6'-4" and H=7'-0" or less.
- Inlet invert shall be shaped with 8 sack sand mix concrete to create flow channels and to increase hydraulic efficiency such that the inlet will be self cleaning between all inlet and/or outlet pipes.
- The ends of all pipes installed in inlets shall be cut off flush with the inside face of the inlet wall.

Power Plant Addition & Site Improvements  
 Riverside Health Systems  
 WICHITA, KANSAS

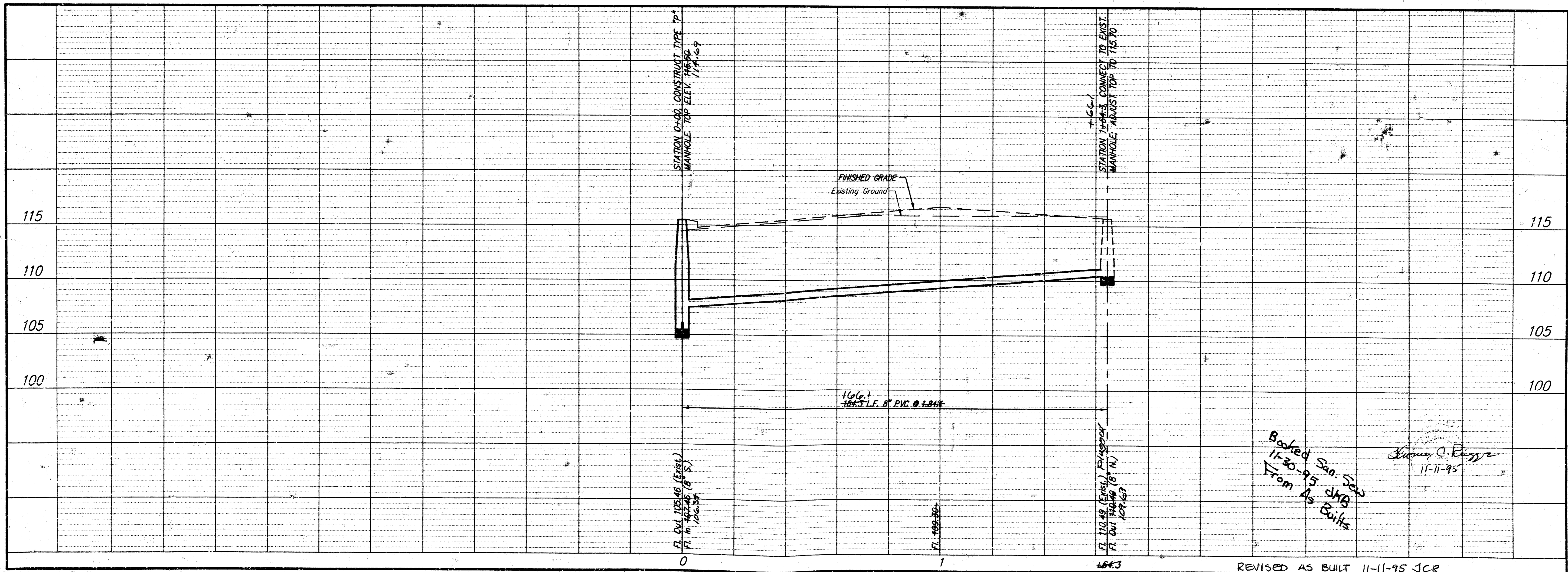
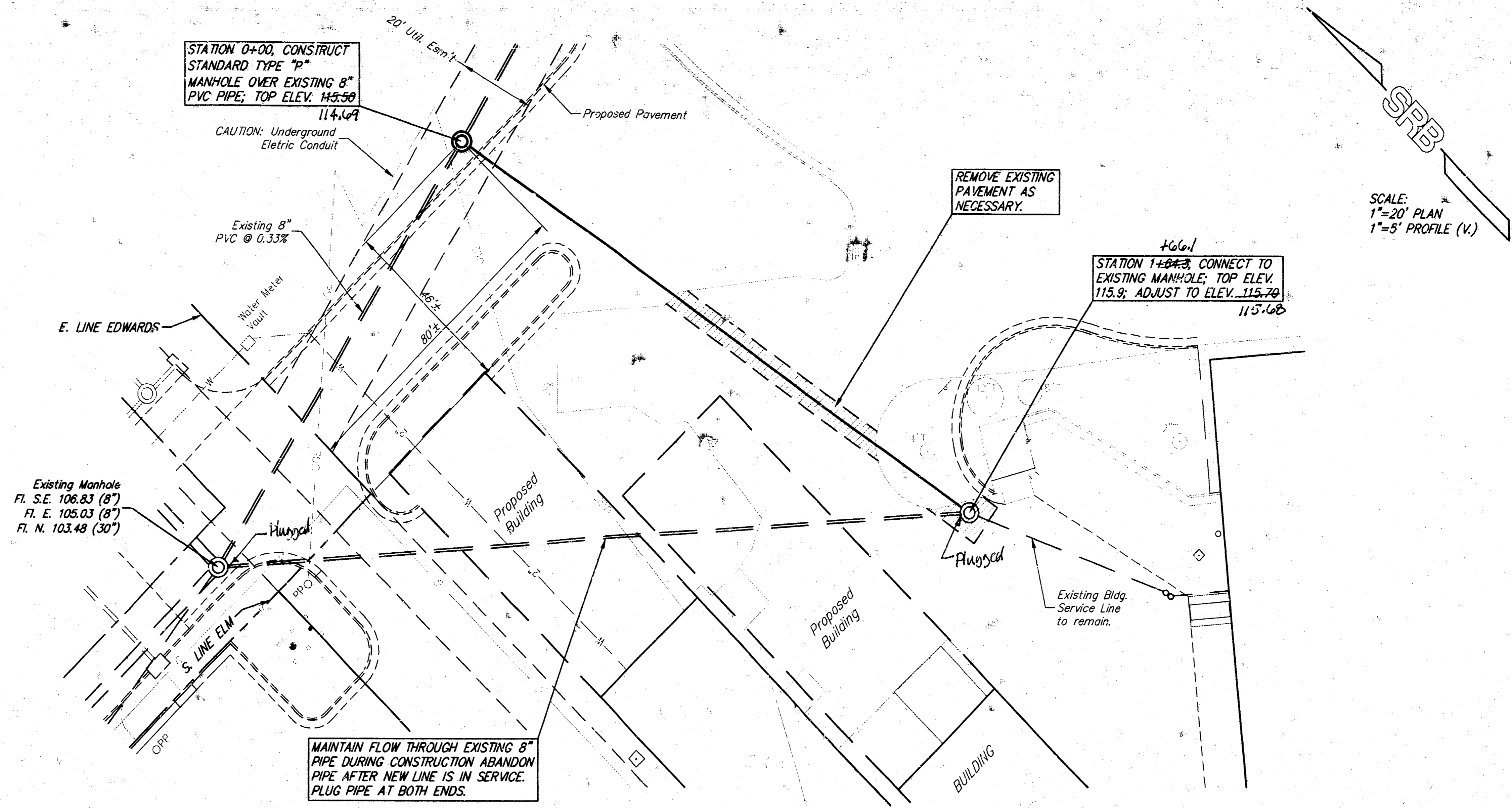


X024 E. 1st Wichita, Kansas 67214

DATE  
 MARCH 29, 1995

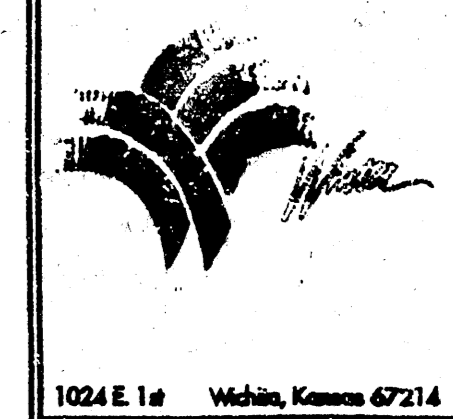
TITLE TYPE 1  
 INLET DETAILS  
 SHEET NO.

SG-4



D. ACTIVE PROJECTS/REVISIONS Fr. May 26 13:22:51 1995

**Power Plant Addition & Site Improvements**  
**Riverside Health Systems**  
**WICHITA, KANSAS**



1024 E. 1st Wichita, Kansas 67214

DATE  
 MAY 26, 1995

TITLE  
 SAN. SEWER PLAN  
 SHEET NO.

**SG-5**

REVISED AS BUILT 11-11-95 JCR

**SRB** 924 NORTH MAIN 316-264-8008  
 WICHITA, KANSAS 67203 FAX 264-4821  
**SAVOY, RUGGLES & BOHM, P. A.**  
 ENGINEERING & SURVEYING  
 Project No: 554 PPS (607861)