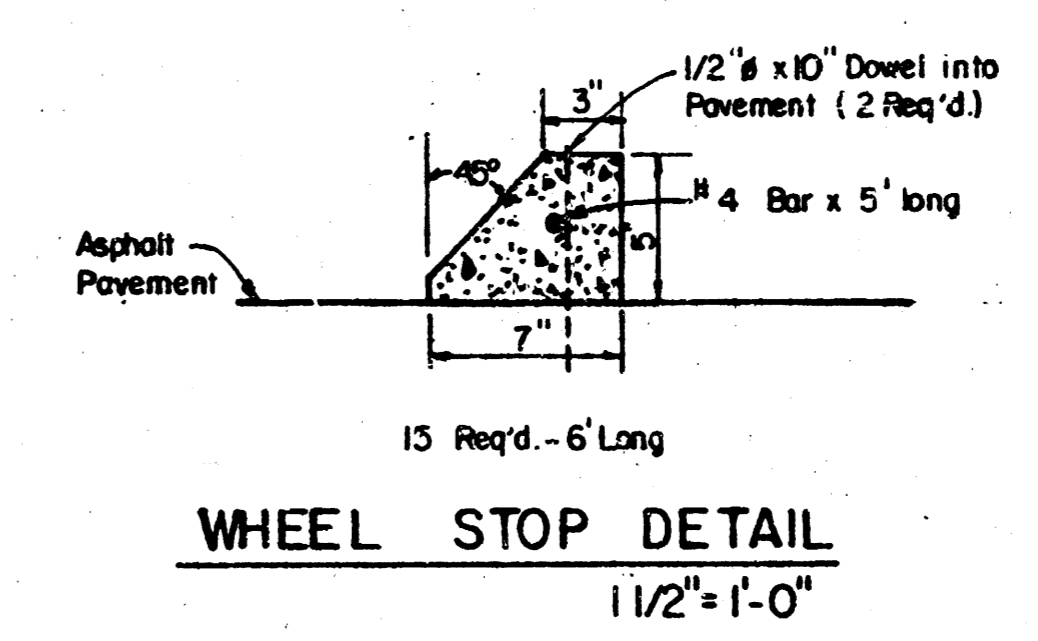
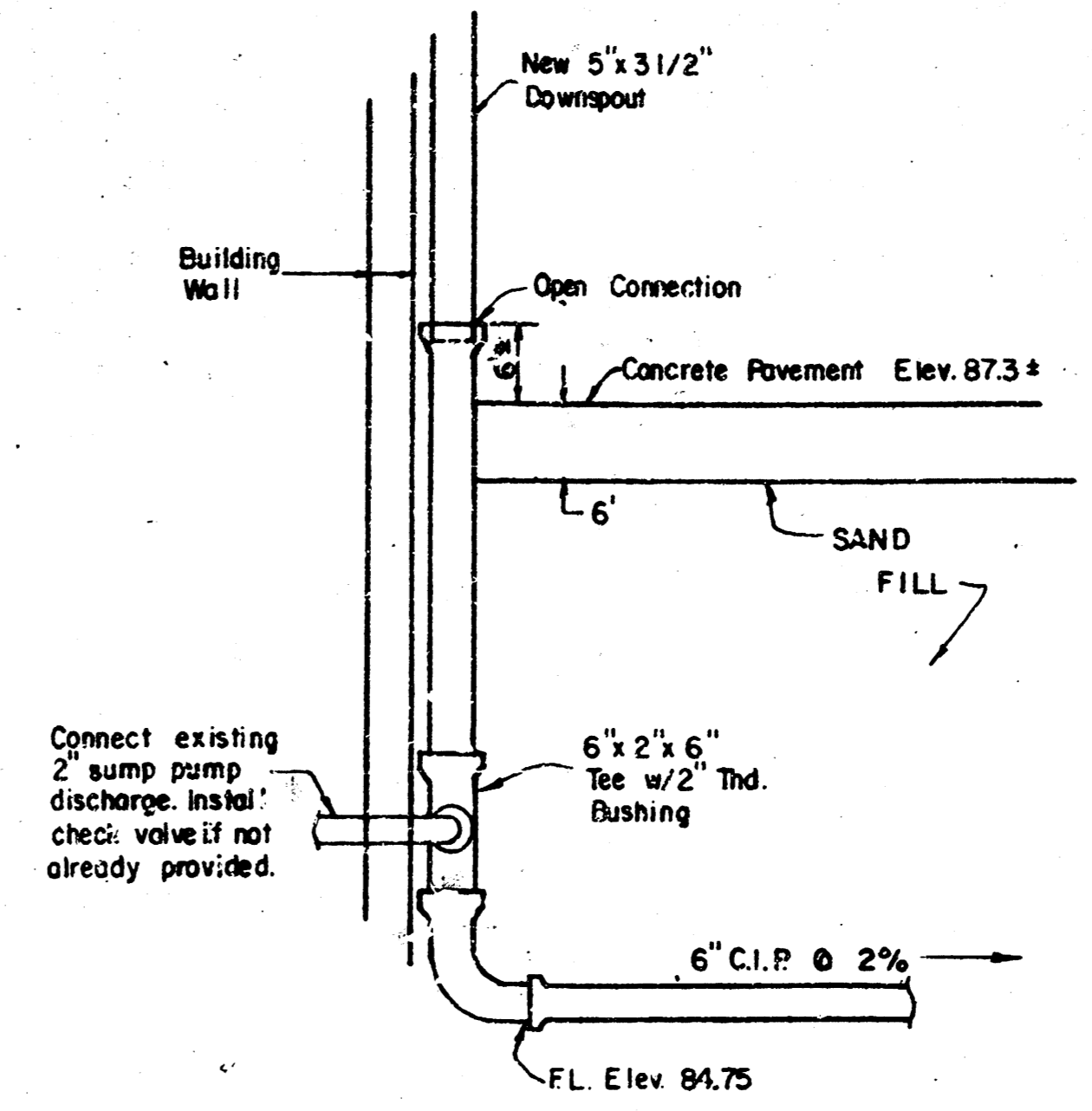
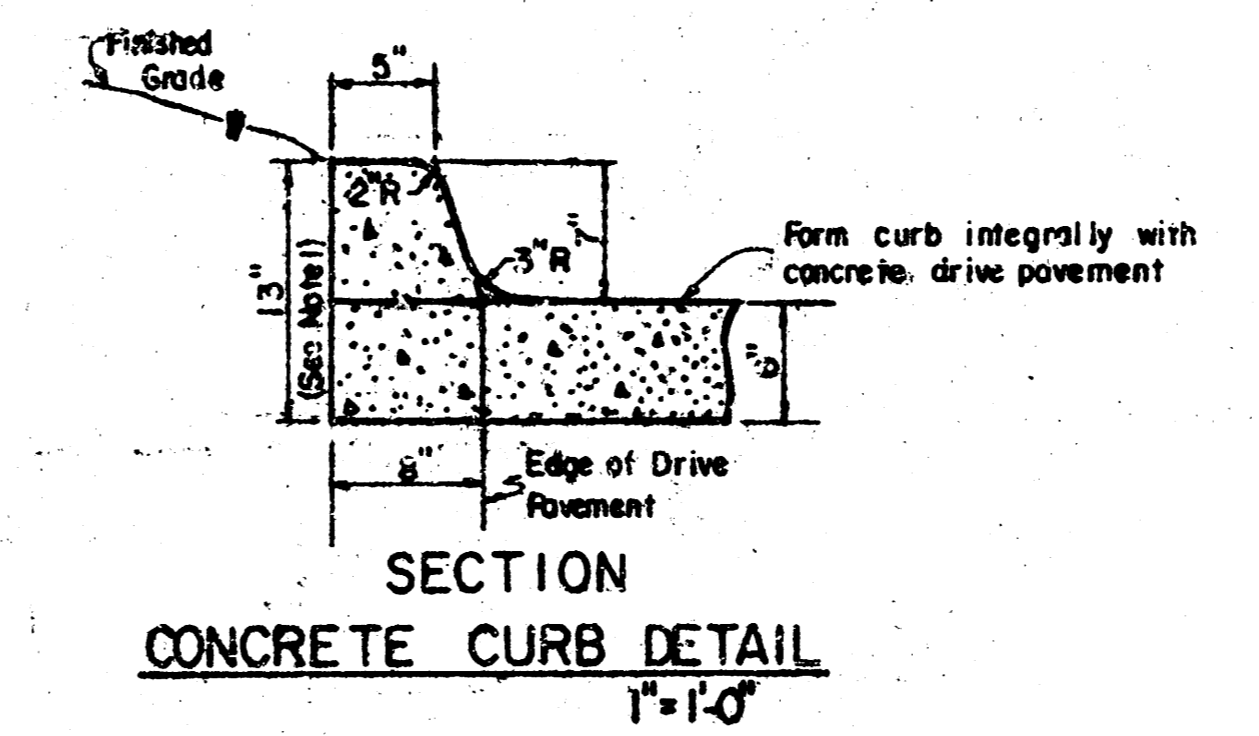
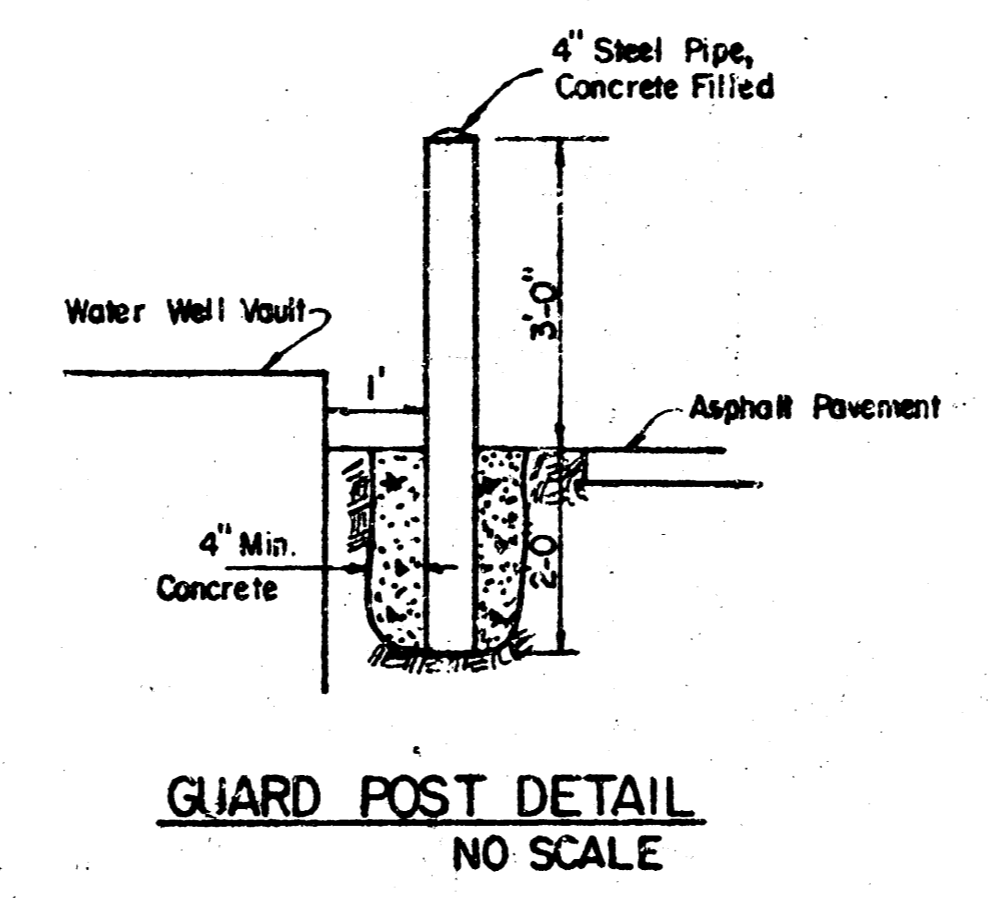
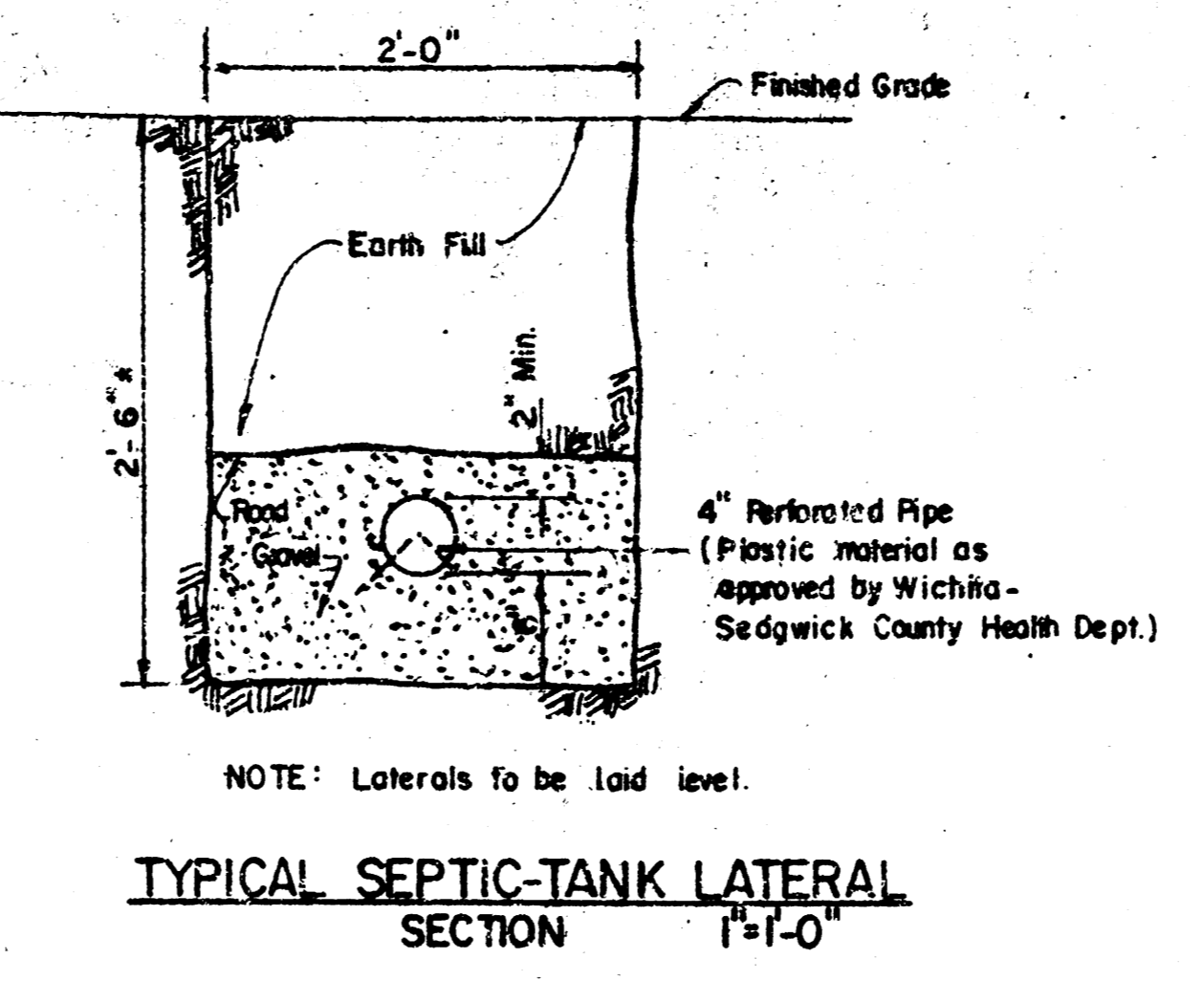


SITE PLAN
1" = 20'

- LEGEND:**
- Existing Concrete Pavement
 - New Concrete Pavement
 - New Asphalt Pavement
 - Existing Spot Elevation
 - Finished Spot Elevation

- NOTES**
1. Taper curb height from 7" to 0" in south 3'-0" of curb.
 2. Remove equipment from existing vault and cap all pipes, conduits and water well. Fill with sand to top. Install guard posts as shown (See Detail).
 3. All pavement and curb cuts to be saw cut.
 4. All pipe trenches to be sand backfill to min. 6" over pipe.
 5. All elevations are to City datum.



BENCH MARK
City of Wichita disc, 28' E. and 28.3' N. of S.W. Cor. Sec. 16, Elev. 86.84

APPROVED AS NOTED
By City Engineer, WICHITA
Sullivan, Kansas
Storm Sewer: *[Signature]* 3/1/79
Drawn by: *[Signature]*

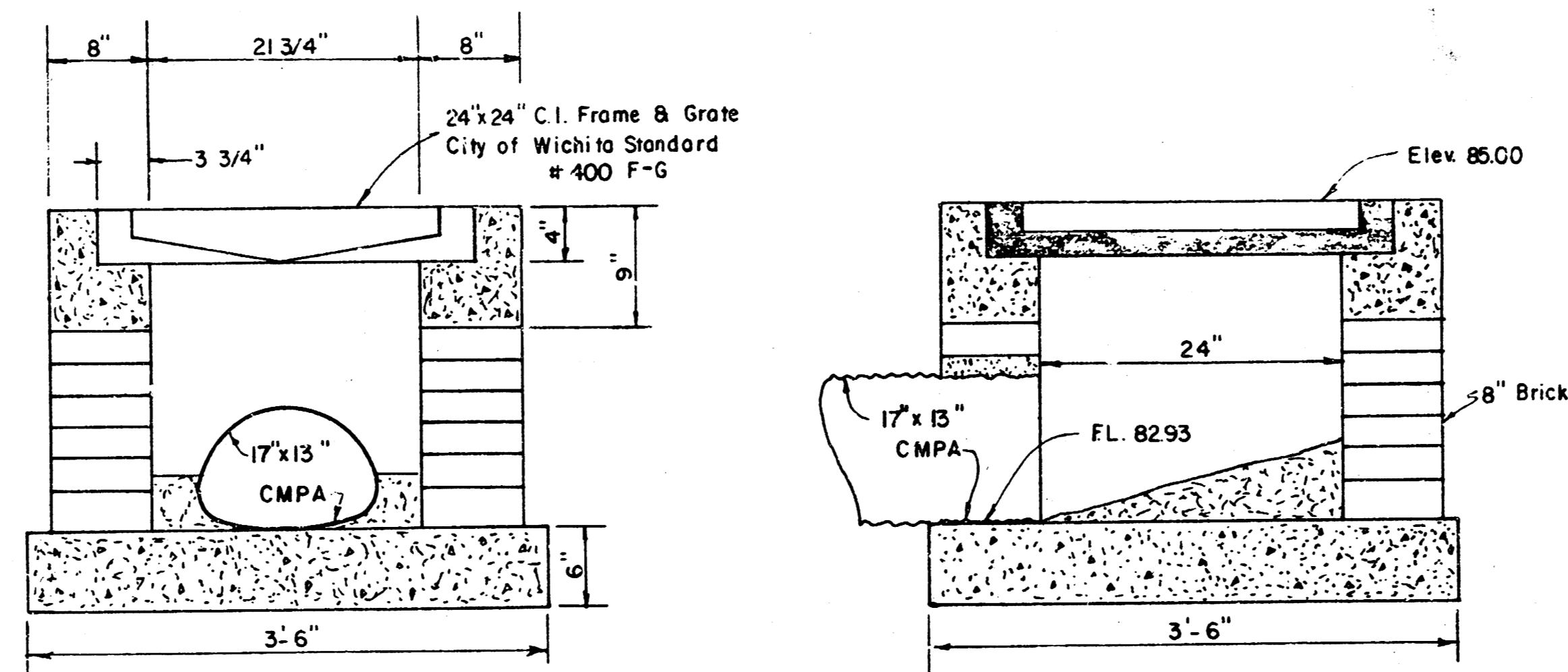
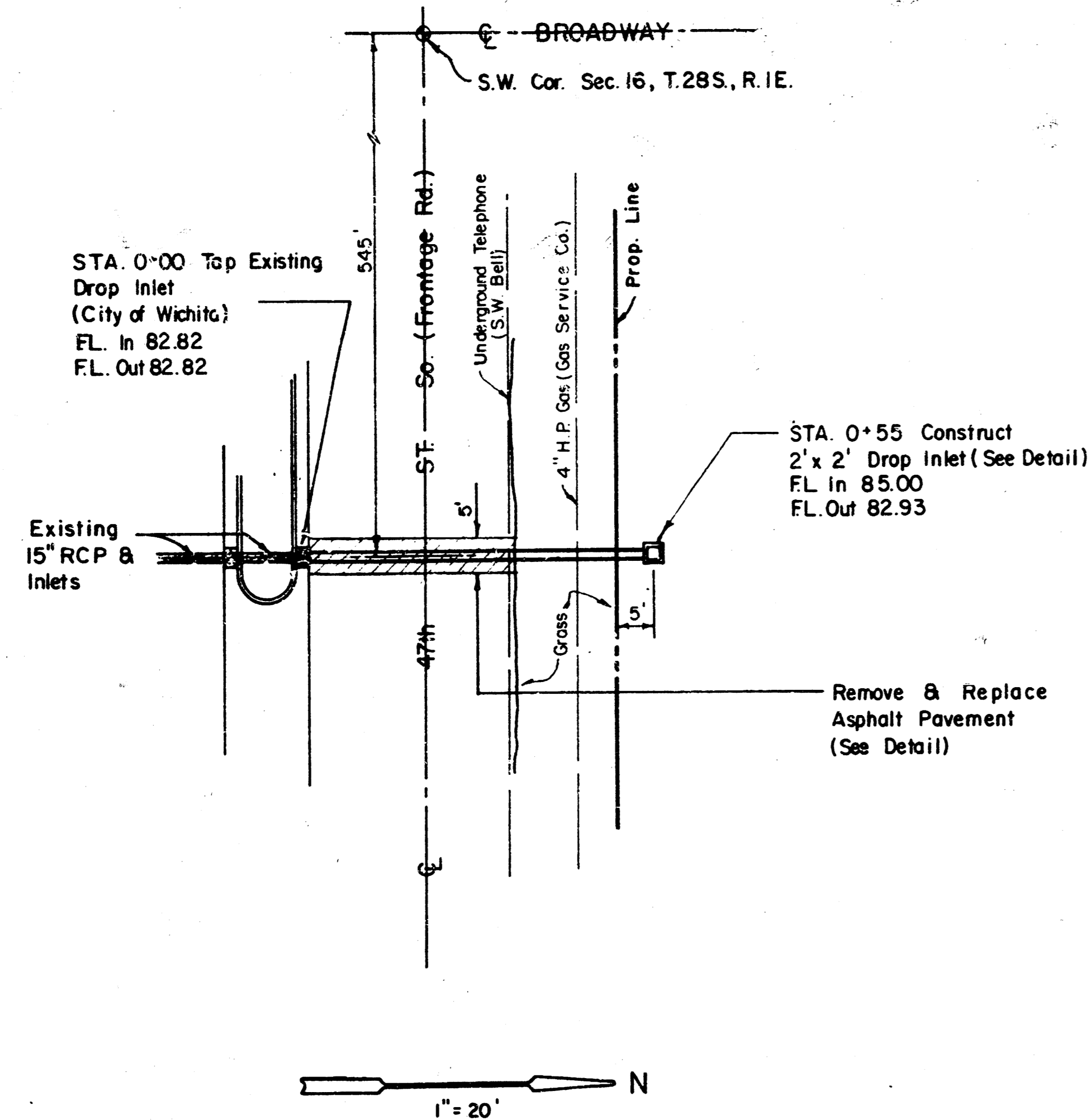
ALTERATIONS
ISSUE NO. 446
DATE (CDA#14-7104)

Southwestern Bell Telephone Company
Engineering Department - 220 East Sixth Street - Topeka, Kansas

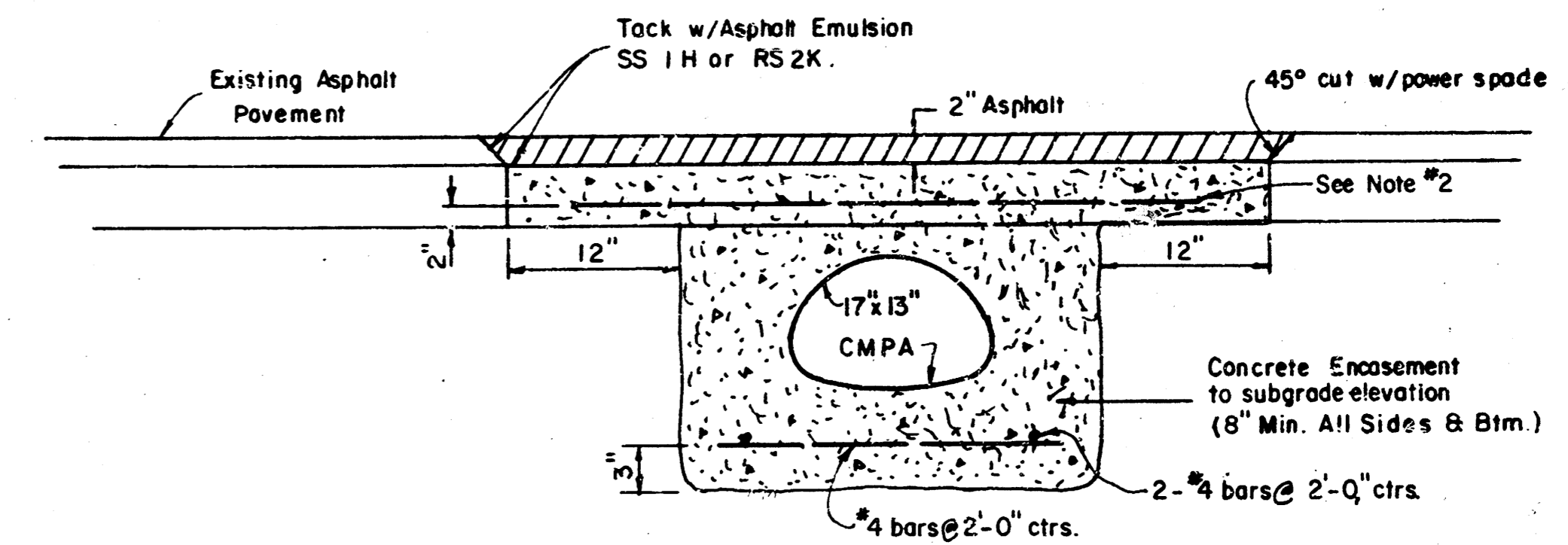


REVISED SITE PLAN - DETAILS	
ADDN. & ALTER. TO JACKSON CENTRAL OFFICE #522	
WICHITA,	KANSAS
SWK- DWB. NO. H	SHEET A-11 OF 4
JACK C. VERRELIAN AREA ARCHITECT	

PLAN
 SURVEYED BY DATE
 PRINTED AND CHECKED
 NOTE BOOK NO. OF W.A. CHARTER
 NO.



DROP INLET DETAILS
 (1"=1'-0")



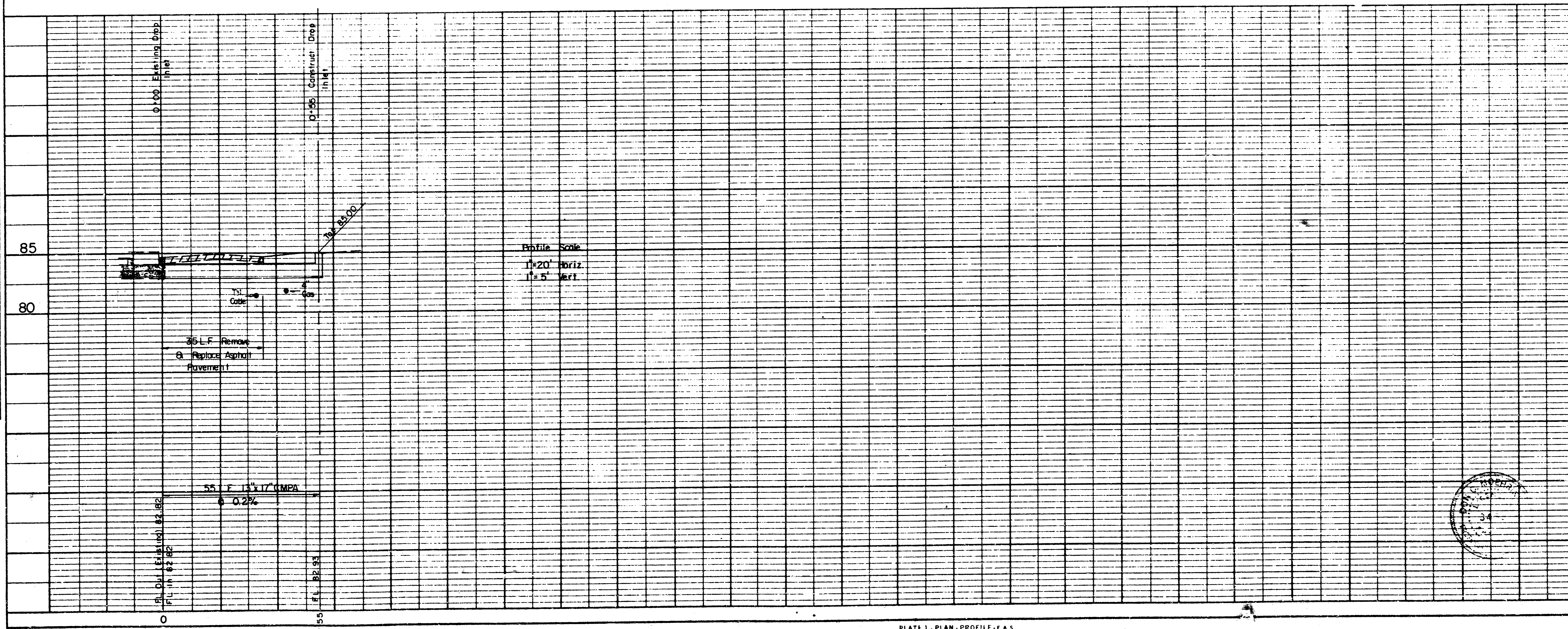
ASPHALT PAVEMENT
 REPLACEMENT DETAIL
 (No Scale)

Bench Mark:
 City of Wichita Disc. 28'E.
 & 28.3' N. of S.W. Cor. Sec. 16
 Elev. 86.84

- Notes:
1. All Materials & Construction To Meet City of Wichita Specifications
 2. Concrete base course to be steel reinforced per concrete base course specifications.

J. S. ... 12/2/78

PROFILE
 SURVEYED BY DATE
 PRINTED AND CHECKED
 NOTE BOOK NO. OF W.A. CHARTER
 NO.



Private Storm Sewer
 Extension To
 Bell-Jackson Addition
 Wichita, Kansas

MOEHRING & ASSOCIATES
 CONSULTING ENGINEERS
 WICHITA

Dec. 1978
 Private Storm Sewer No. 468 76 245 80674 000 000 008

14 5 5 10